



US00D474790S

(12) **United States Design Patent**
Igarashi

(10) **Patent No.:** **US D474,790 S**

(45) **Date of Patent:** **** May 20, 2003**

(54) **BINOCULARS**

(75) Inventor: **Masaaki Igarashi**, Tokyo (JP)

(73) Assignee: **Canon Kabushiki Kaisha**, Tokyo (JP)

(**) Term: **14 Years**

(21) Appl. No.: **29/163,549**

(22) Filed: **Jul. 9, 2002**

(30) **Foreign Application Priority Data**

Jan. 23, 2002 (JP) 2002-001387

(51) **LOC (7) Cl.** **16-06**

(52) **U.S. Cl.** **D16/133**

(58) **Field of Search** D16/130, 133;
359/407, 408, 409, 410, 411, 412, 413,
414, 415, 416, 417, 418, 419

(56) **References Cited**

U.S. PATENT DOCUMENTS

D365,832 S * 1/1996 Miyahara et al. D16/133
D399,859 S * 10/1998 Hasegawa D16/133

D413,131 S * 8/1999 Koinuma D16/133
D418,850 S * 1/2000 Lee D16/133
D430,182 S * 8/2000 Miyahara D16/133
D457,541 S * 5/2002 Hayashi D16/133

* cited by examiner

Primary Examiner—Paula A. Mortimer

(74) *Attorney, Agent, or Firm*—Fitzpatrick, Cella, Harper & Scinto

(57) **CLAIM**

The ornamental design for binoculars, as shown and described.

DESCRIPTION

FIG. 1 is a front view of binoculars showing my new design;
FIG. 2 is a rear view thereof;
FIG. 3 is a top plan view thereof;
FIG. 4 is a bottom plan view thereof;
FIG. 5 is a left side view thereof;
FIG. 6 is a right side view thereof; and,
FIG. 7 is a perspective view thereof.

1 Claim, 5 Drawing Sheets

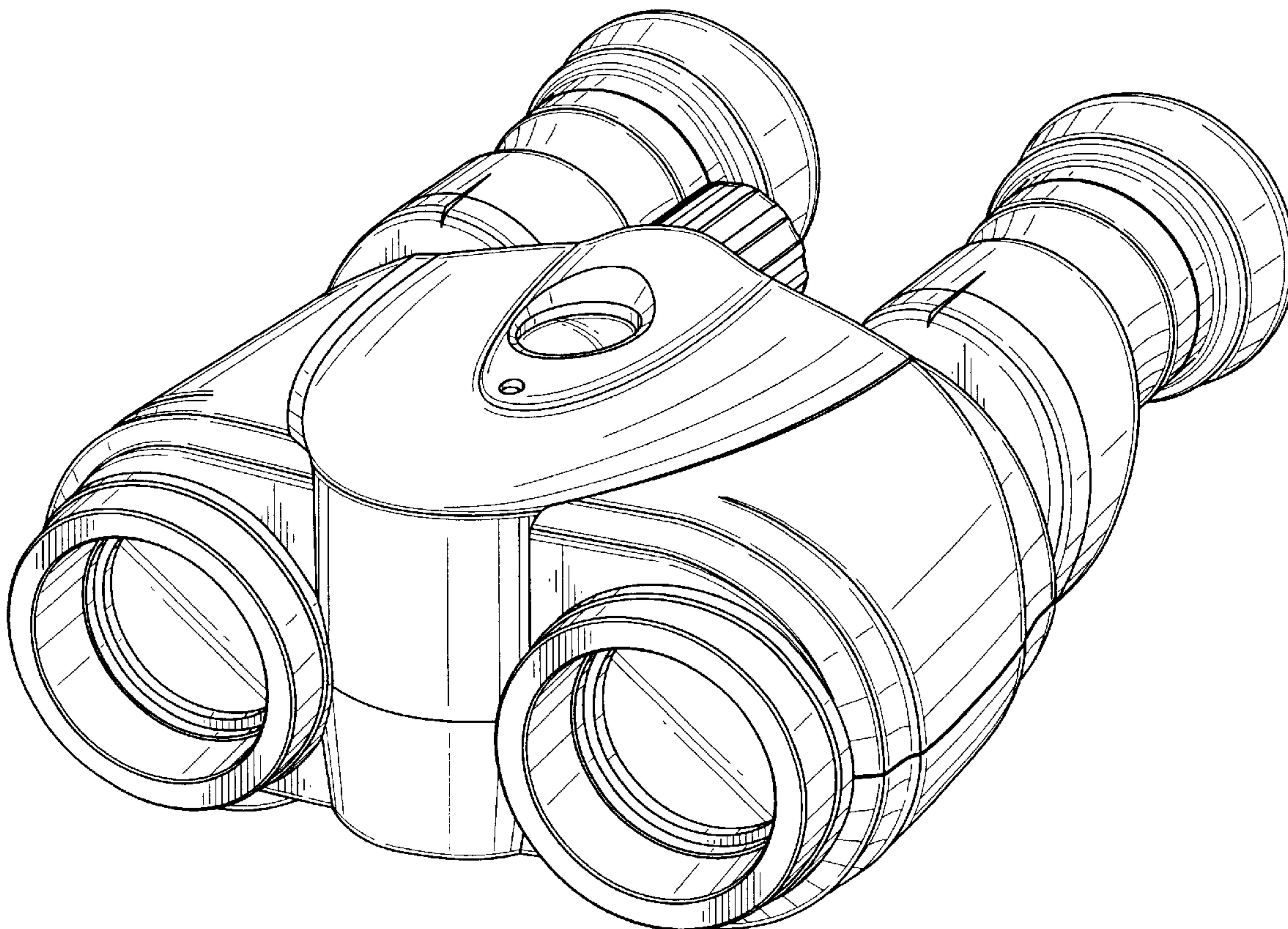


FIG. 1

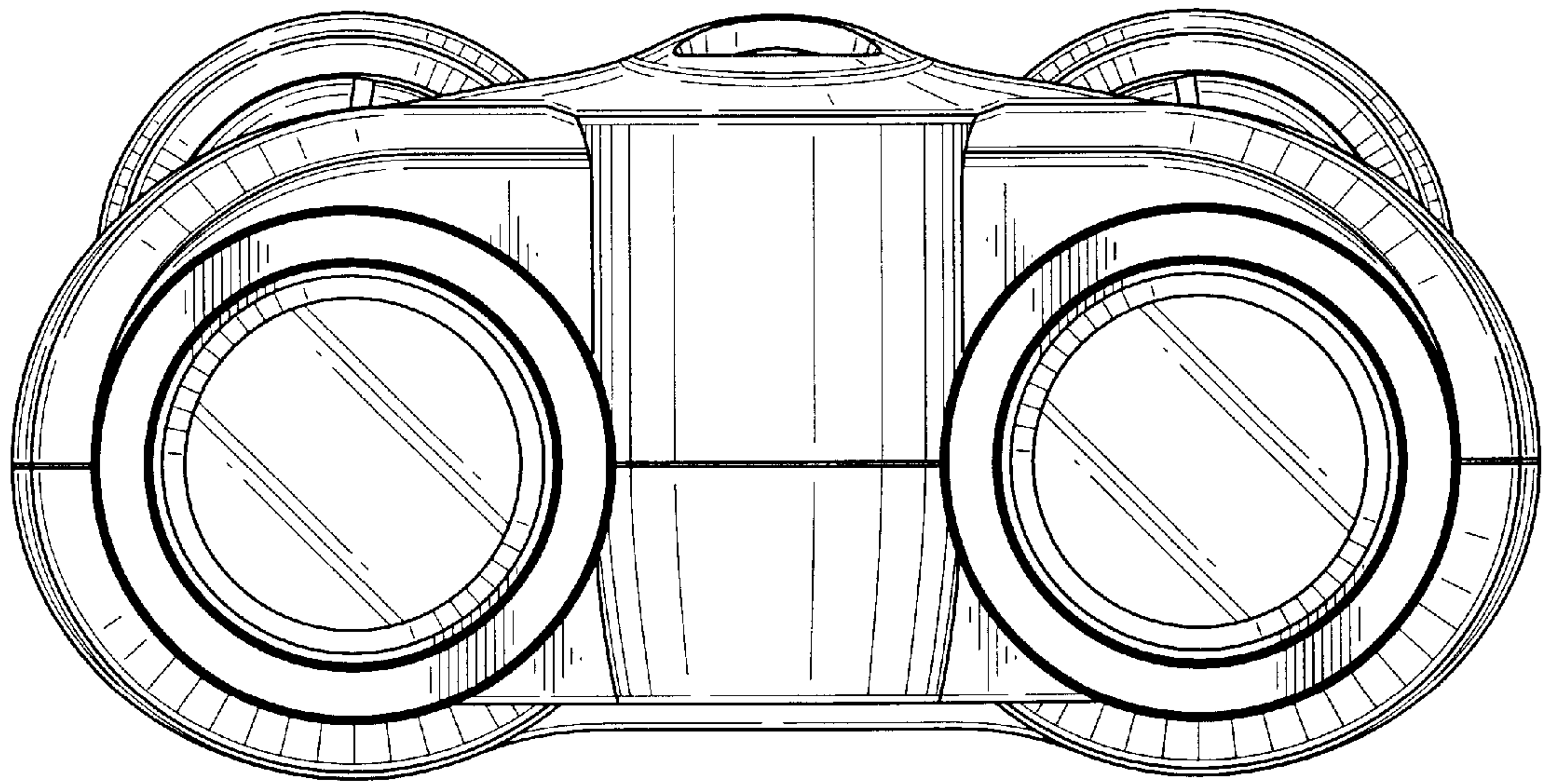


FIG. 2

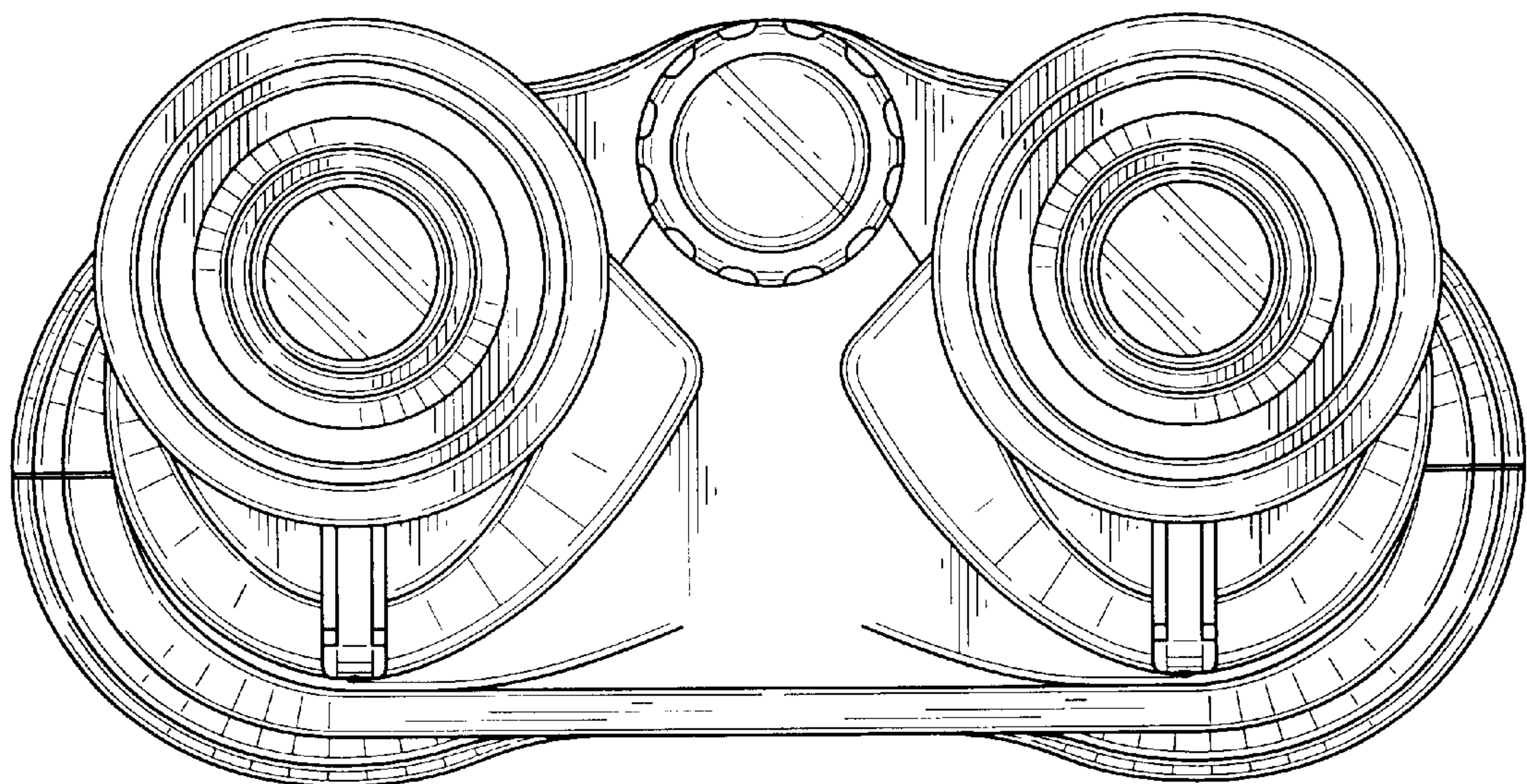


FIG. 3

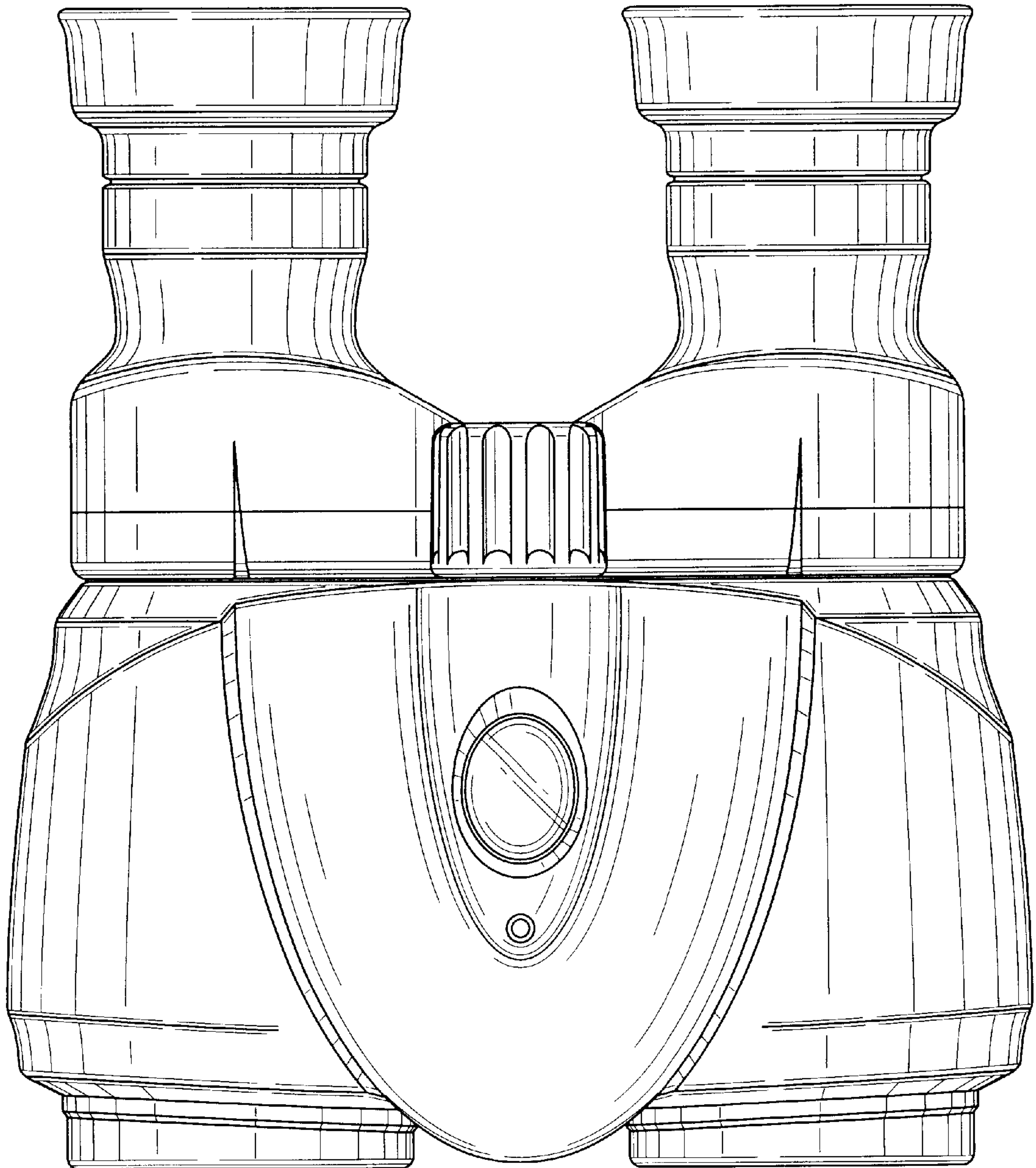


FIG. 4

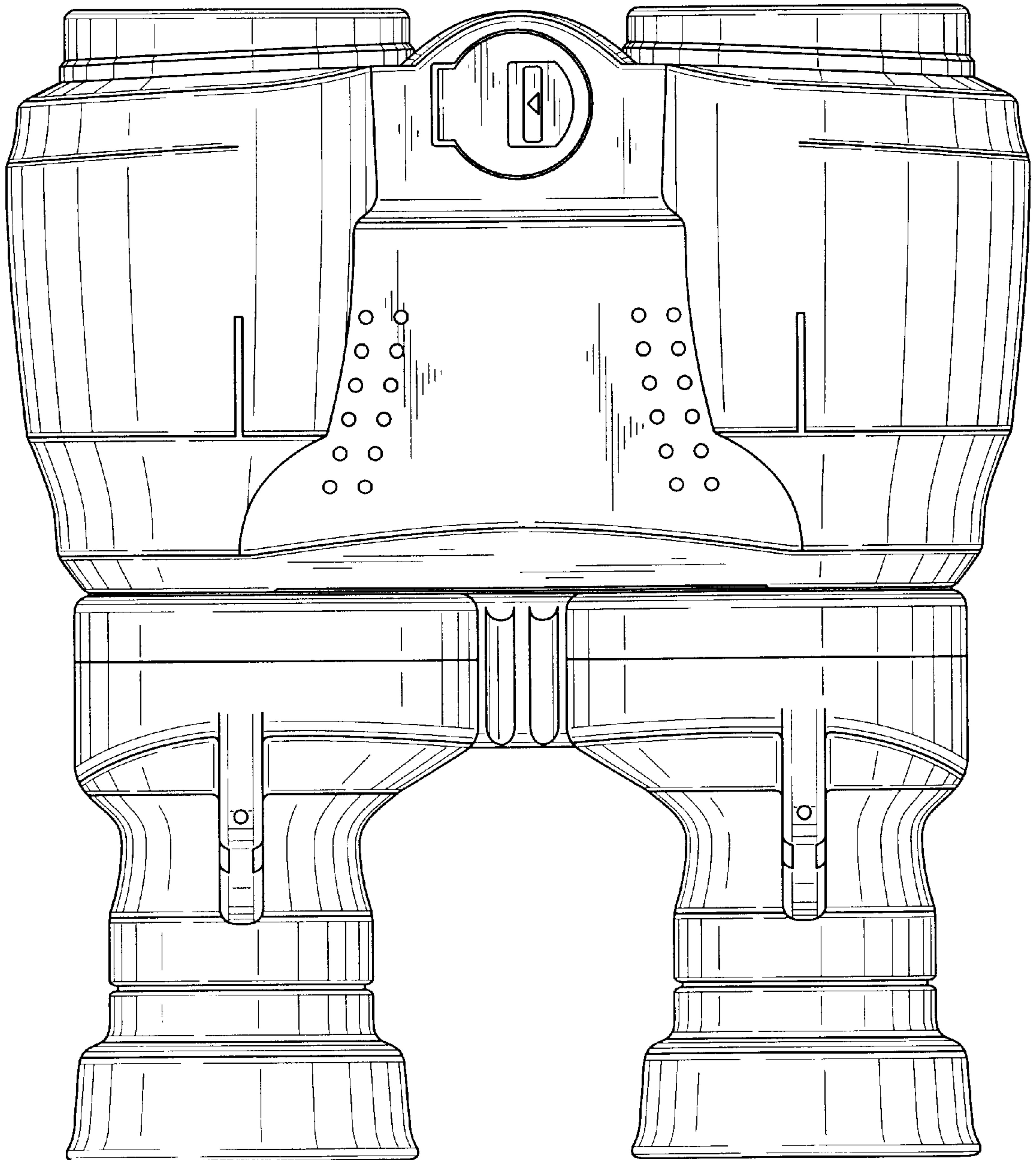


FIG. 5

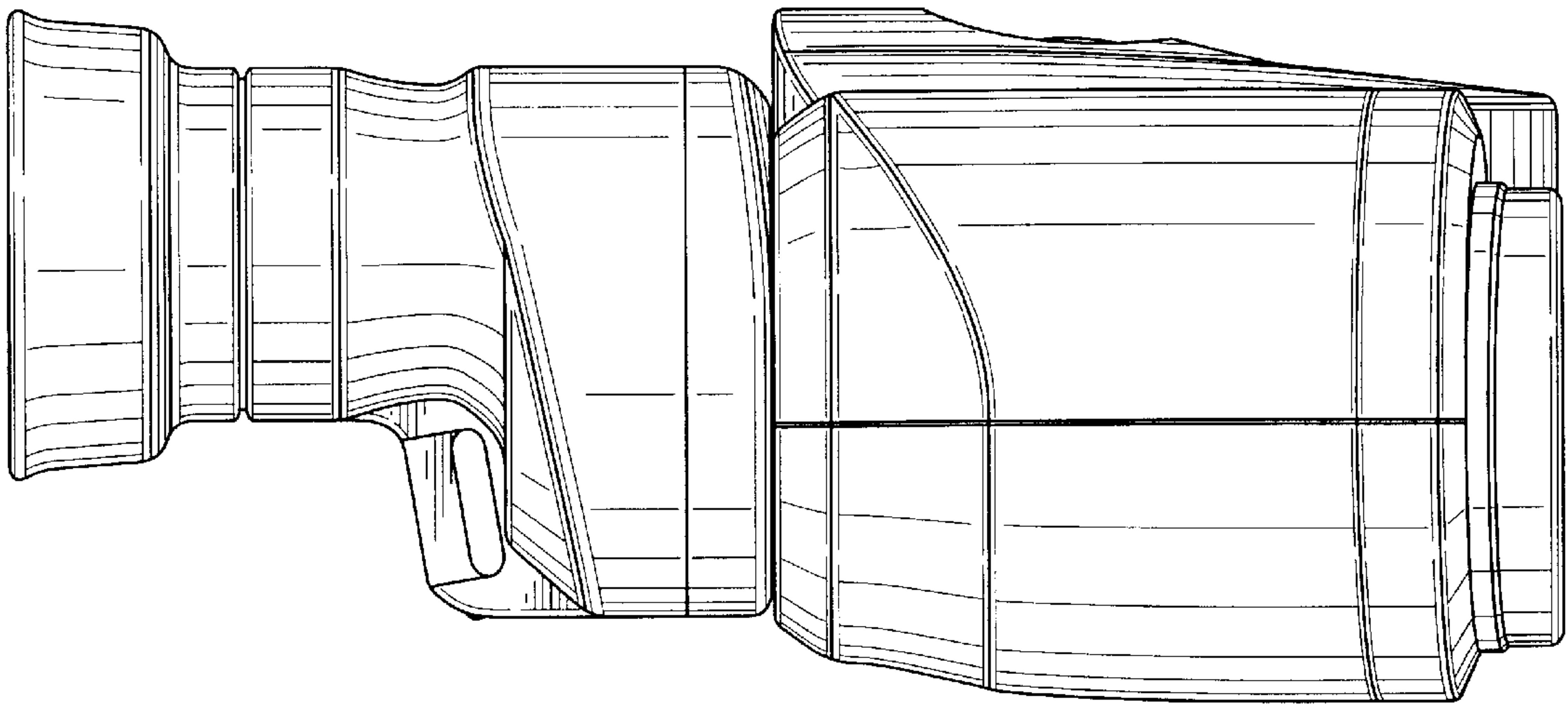


FIG. 6

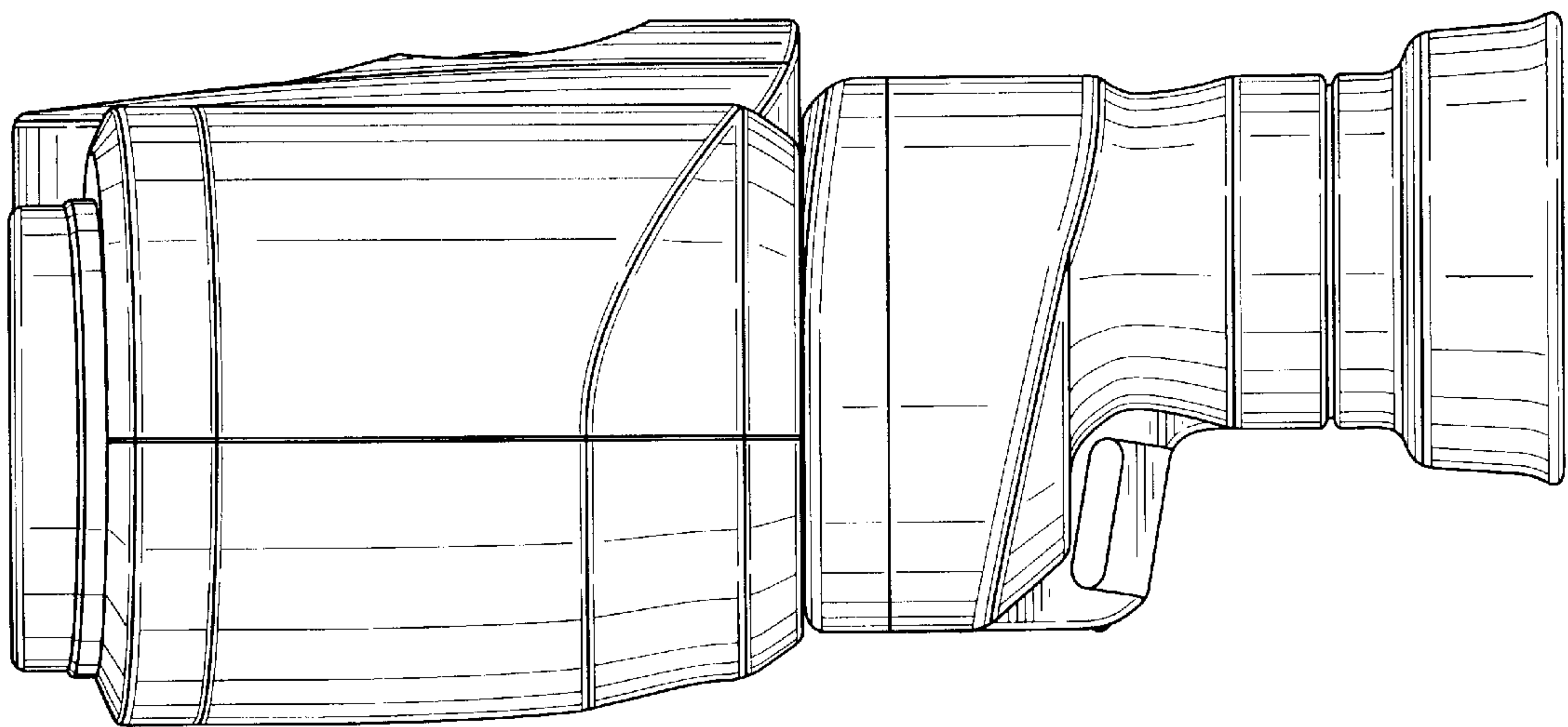


FIG. 7

