



US00D474789S

(12) **United States Design Patent**
Matsushita

(10) **Patent No.:** **US D474,789 S**

(45) **Date of Patent:** **** May 20, 2003**

(54) **BINOCULARS**

(75) **Inventor:** **Takeshi Matsushita, Tokyo (JP)**

(73) **Assignee:** **Asahi Kogaku Kogyo Kabushiki Kaisha, Tokyo (JP)**

(**) **Term:** **14 Years**

(21) **Appl. No.:** **29/160,986**

(22) **Filed:** **May 21, 2002**

(30) **Foreign Application Priority Data**

Nov. 26, 2001 (JP) 2001-034537

(51) **LOC (7) Cl.** **16-06**

(52) **U.S. Cl.** **D16/133**

(58) **Field of Search** D16/130, 133;
359/414, 415, 416, 408, 409, 410, 411,
412, 418, 419

(56) **References Cited**

U.S. PATENT DOCUMENTS

D222,563 S * 11/1971 Maguire D16/133

D383,474 S * 9/1997 Hashimoto D16/133

D395,055 S * 6/1998 Lee D16/133

D430,586 S * 9/2000 Inaba D16/133

OTHER PUBLICATIONS

Bushnell 2001 Catalog Minolta Co., Ltd, 1998
9242-4619-66 N901 (MC-E)-B1.

* cited by examiner

Primary Examiner—Paula A. Mortimer

(57) **CLAIM**

The ornamental design for binoculars, as shown.

DESCRIPTION

FIG. 1 is a perspective view of the top, front, and right side of binoculars showing my new design;
FIG. 2 is a front elevational view thereof;
FIG. 3 is a top plan view thereof;
FIG. 4 is a right side elevational view;
FIG. 5 is a rear elevational view thereof;
FIG. 6 is a left side elevational view thereof; and,
FIG. 7 is a bottom plan view thereof.

1 Claim, 4 Drawing Sheets

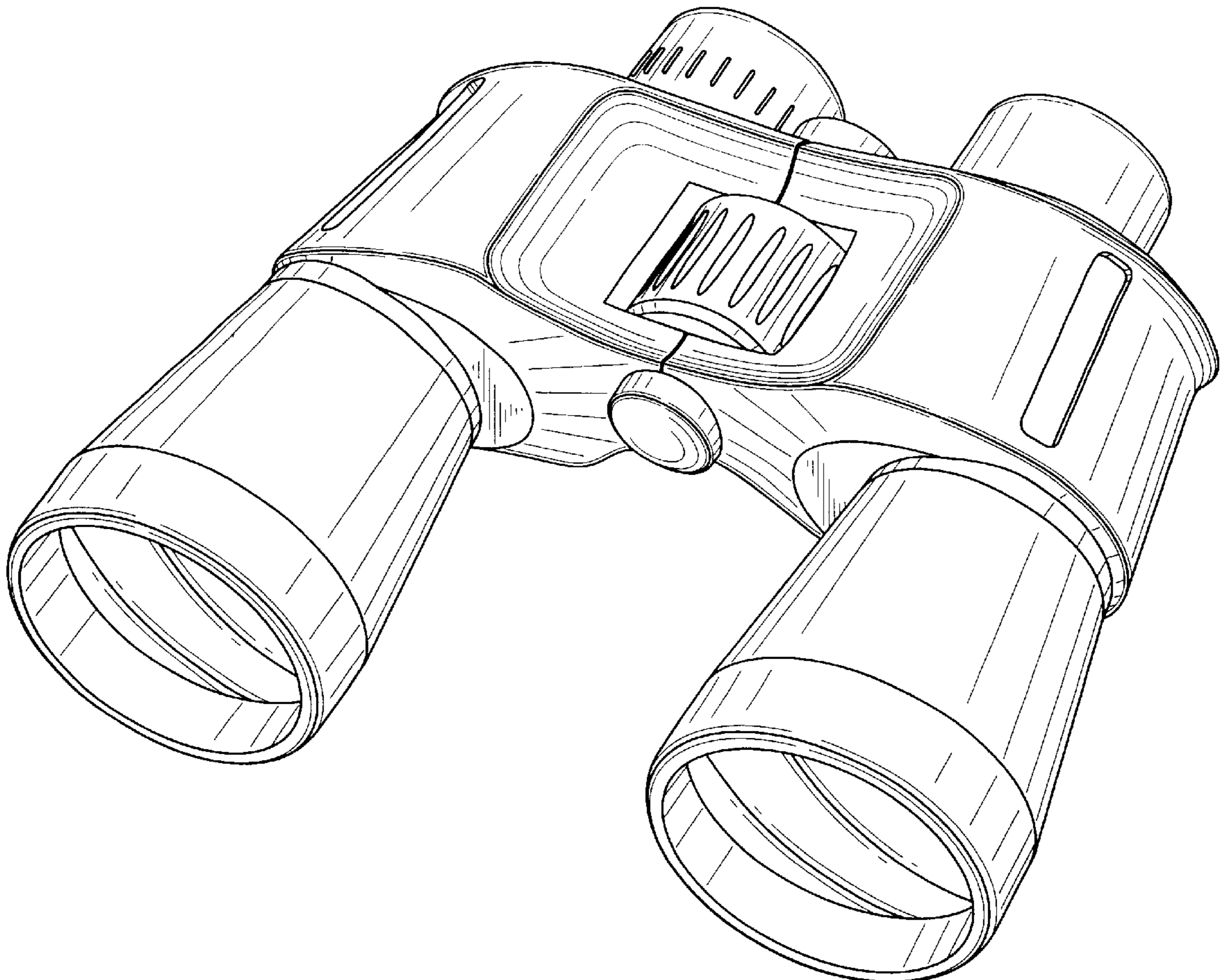


FIG. 1

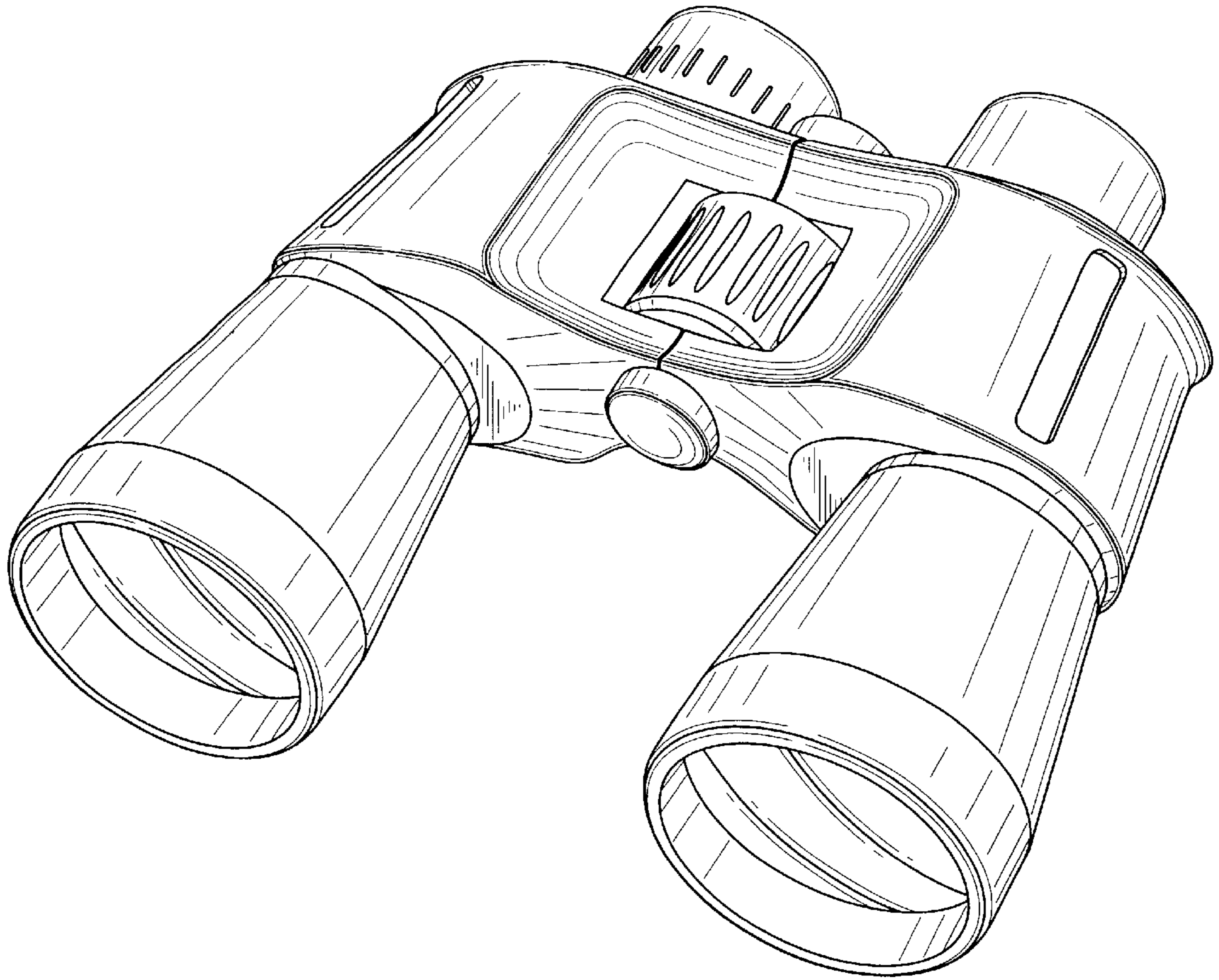


FIG. 2

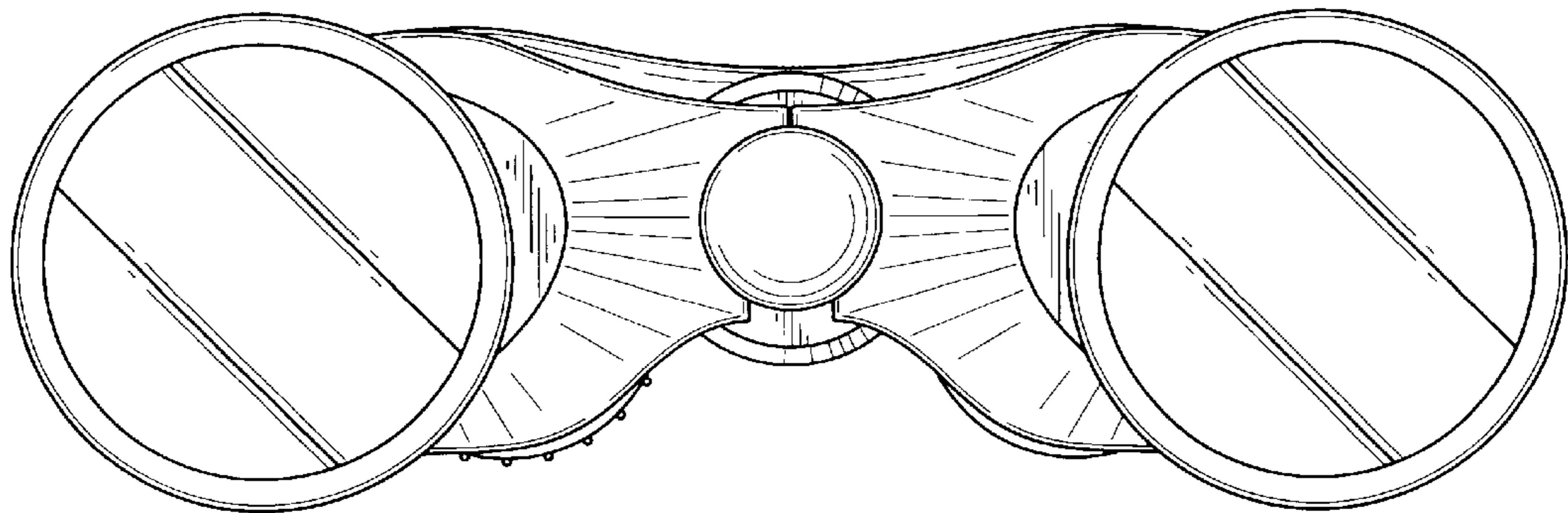


FIG. 3

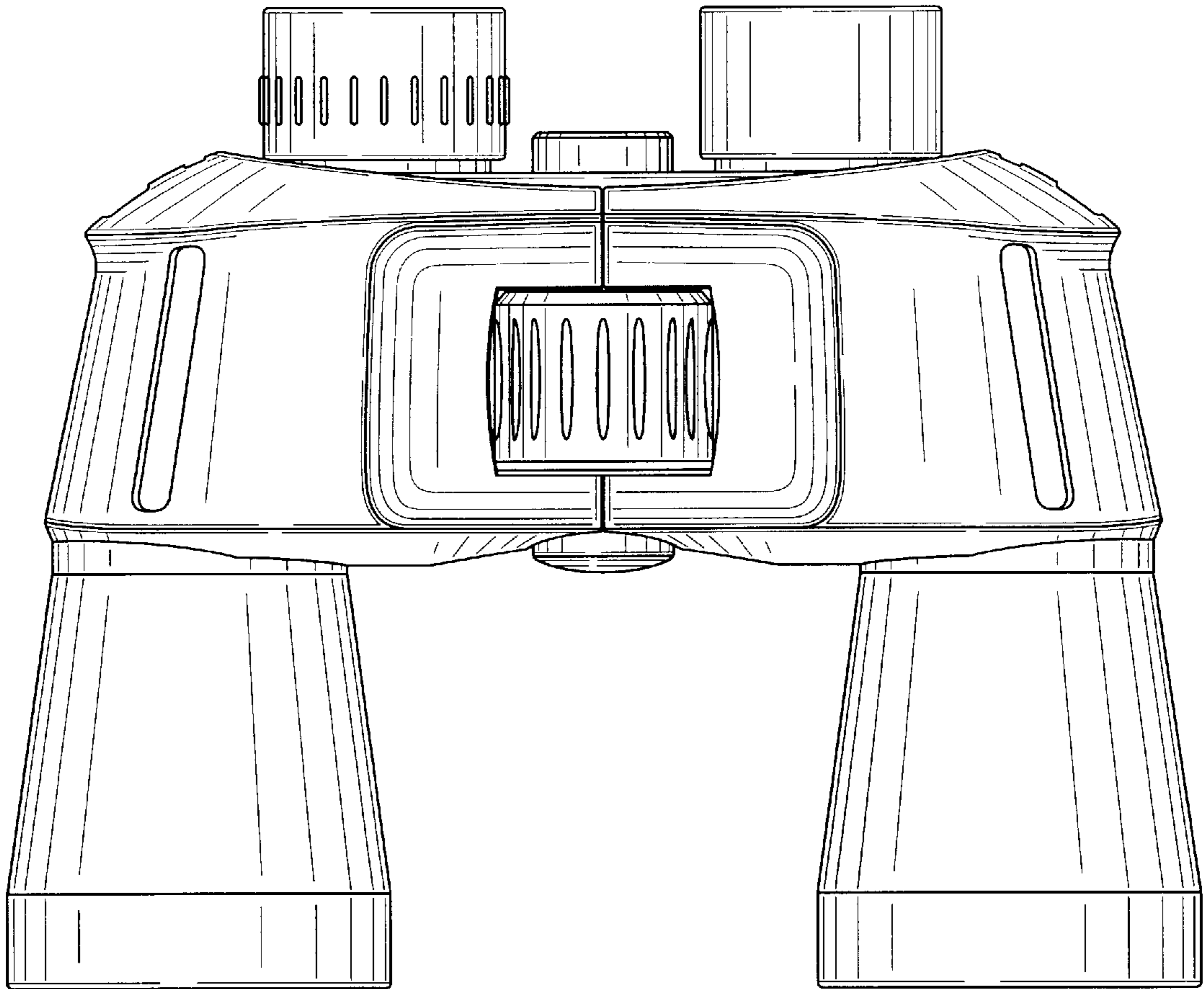


FIG. 4

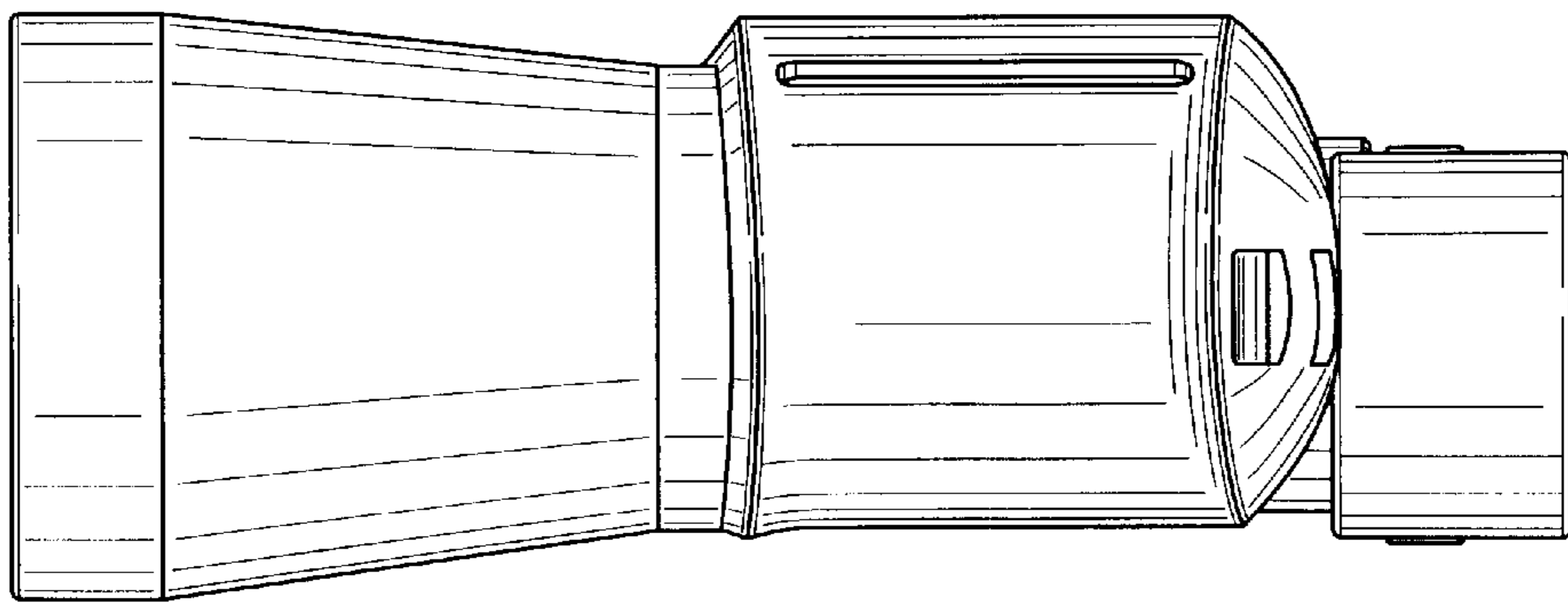


FIG. 5

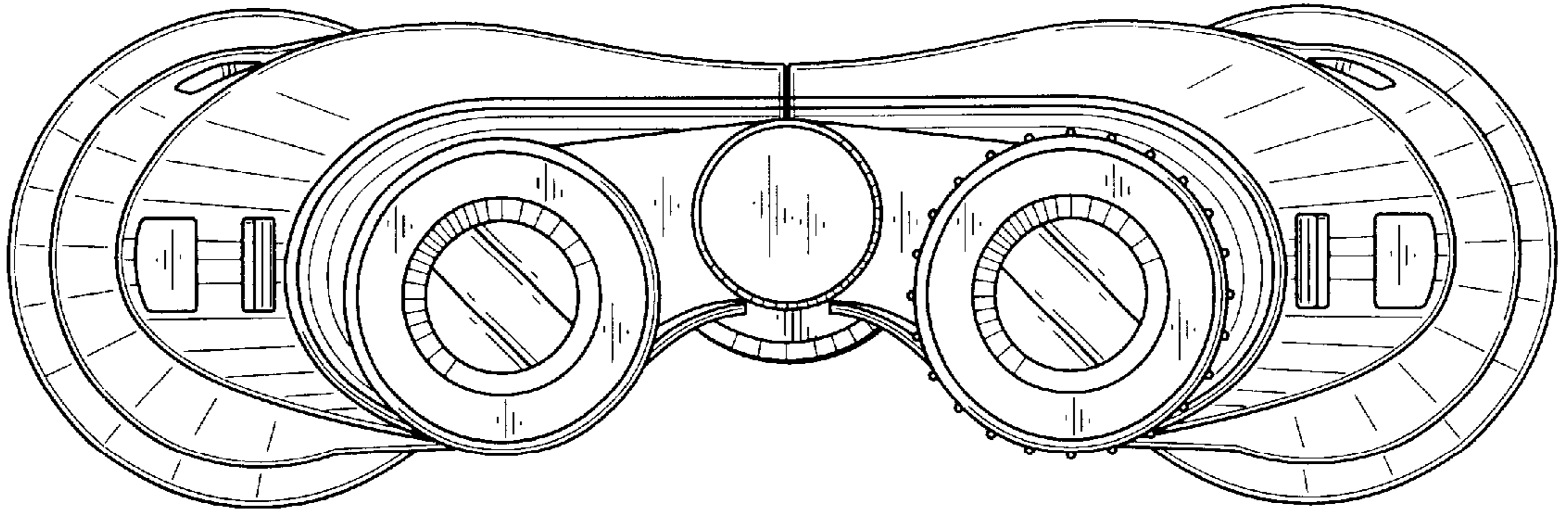


FIG. 6

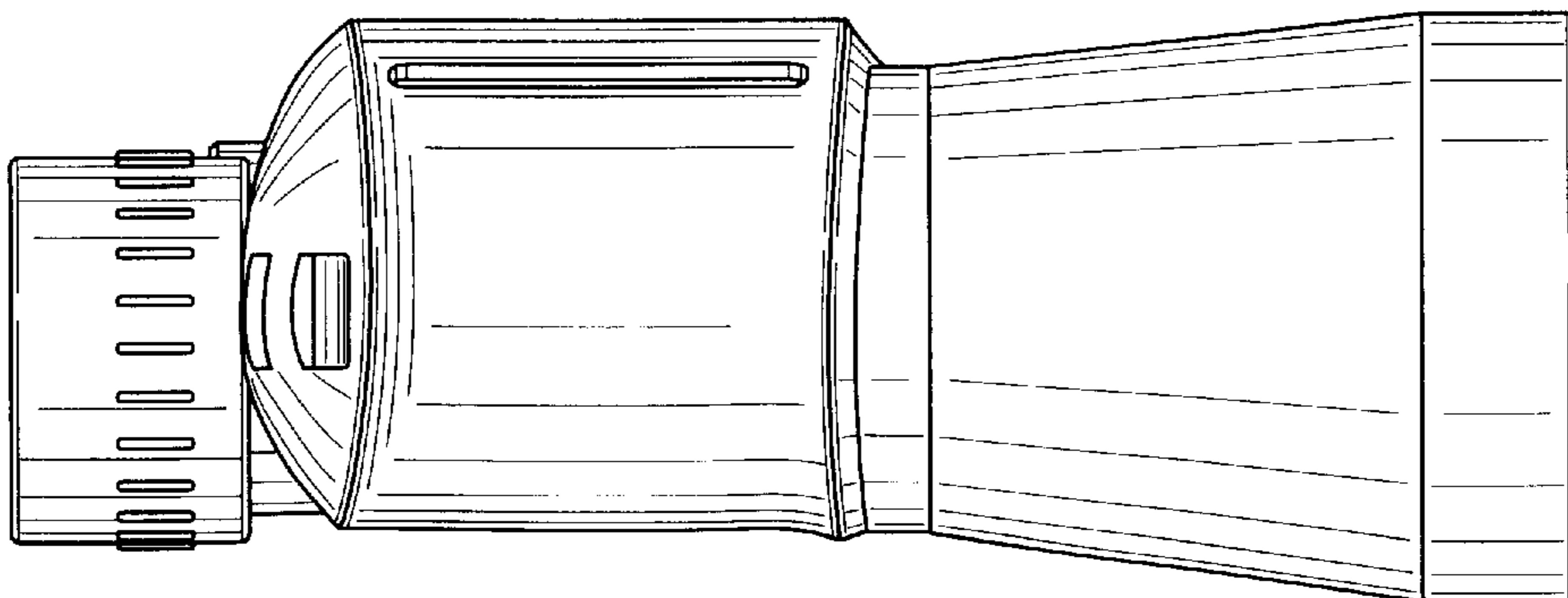


FIG. 7

