



US00D474788S

(12) **United States Design Patent**
Molnar et al.

(10) **Patent No.:** **US D474,788 S**

(45) **Date of Patent:** **** May 20, 2003**

(54) **ARTICULATED ADAPTER FOR DISPENSING LIQUID PRIMERS, COATINGS AND SEALANTS**

(75) Inventors: **Julius J. Molnar**, Amherst, OH (US);
Douglas A. Wright, North Royalton, OH (US)

(73) Assignee: **Nordson Corporation**, Westlake, OH (US)

(**) Term: **14 Years**

(21) Appl. No.: **29/164,815**

(22) Filed: **Jul. 30, 2002**

(51) **LOC (7) Cl.** **15-09**

(52) **U.S. Cl.** **D15/144**

(58) **Field of Search** D15/144; 118/264,
118/629; 137/614; 239/124, 690, 132.5;
264/511

(56) **References Cited**

U.S. PATENT DOCUMENTS

6,360,963 B2 * 3/2002 Popp 239/132.5
6,425,532 B1 * 7/2002 Popp 239/132.5

* cited by examiner

Primary Examiner—Antoine Duval Davis

(74) *Attorney, Agent, or Firm*—Raymond J. Slattery, III

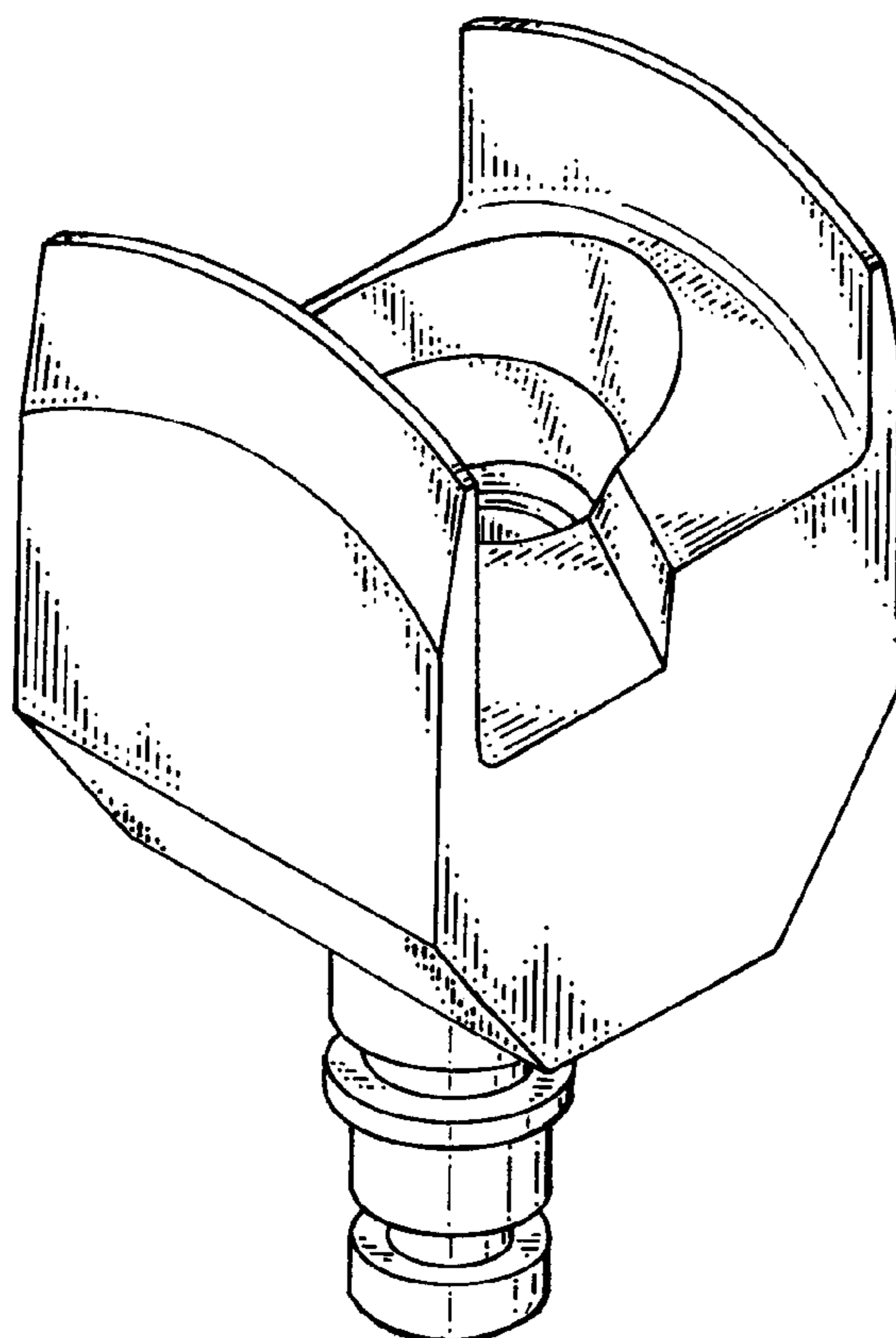
(57) **CLAIM**

We claim the ornamental design for an articulated adapter for dispensing liquid primers, coatings and sealants, as shown and described.

DESCRIPTION

FIG. 1 is a front perspective view of the new design for an articulated adapter for dispensing liquid primers, coatings and sealants;
FIG. 2 is a front elevational view;
FIG. 3 is a side elevational view, the opposite side being a mirror image thereof;
FIG. 4 is a rear elevational view;
FIG. 5 is a top plan view;
FIG. 6 is a bottom view;
FIG. 7 is a front perspective view of an alternate embodiment of a new design for an articulated adapter for dispensing liquid primers, coatings and sealants;
FIG. 8 is a front elevational view of the embodiment of FIG. 7, with the opposite side being a mirror image thereof;
FIG. 9 is a side elevational view, the opposite side being a mirror image thereof; and,
FIG. 10 is a top plan view of the embodiment of FIG. 7; and wherein the bottom view of the embodiment of FIG. 7 is the same as FIG. 6.

1 Claim, 3 Drawing Sheets



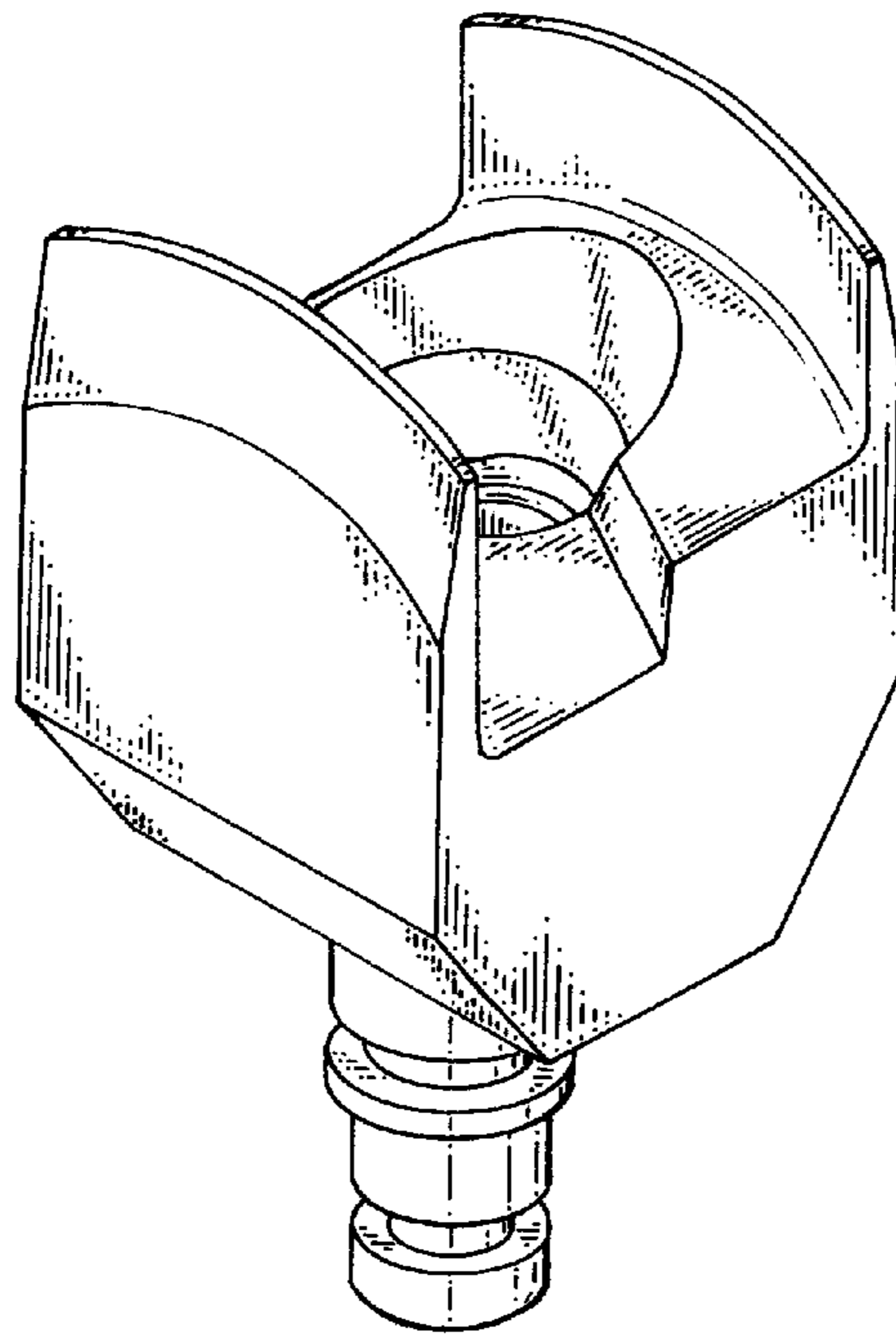


FIG. - 1

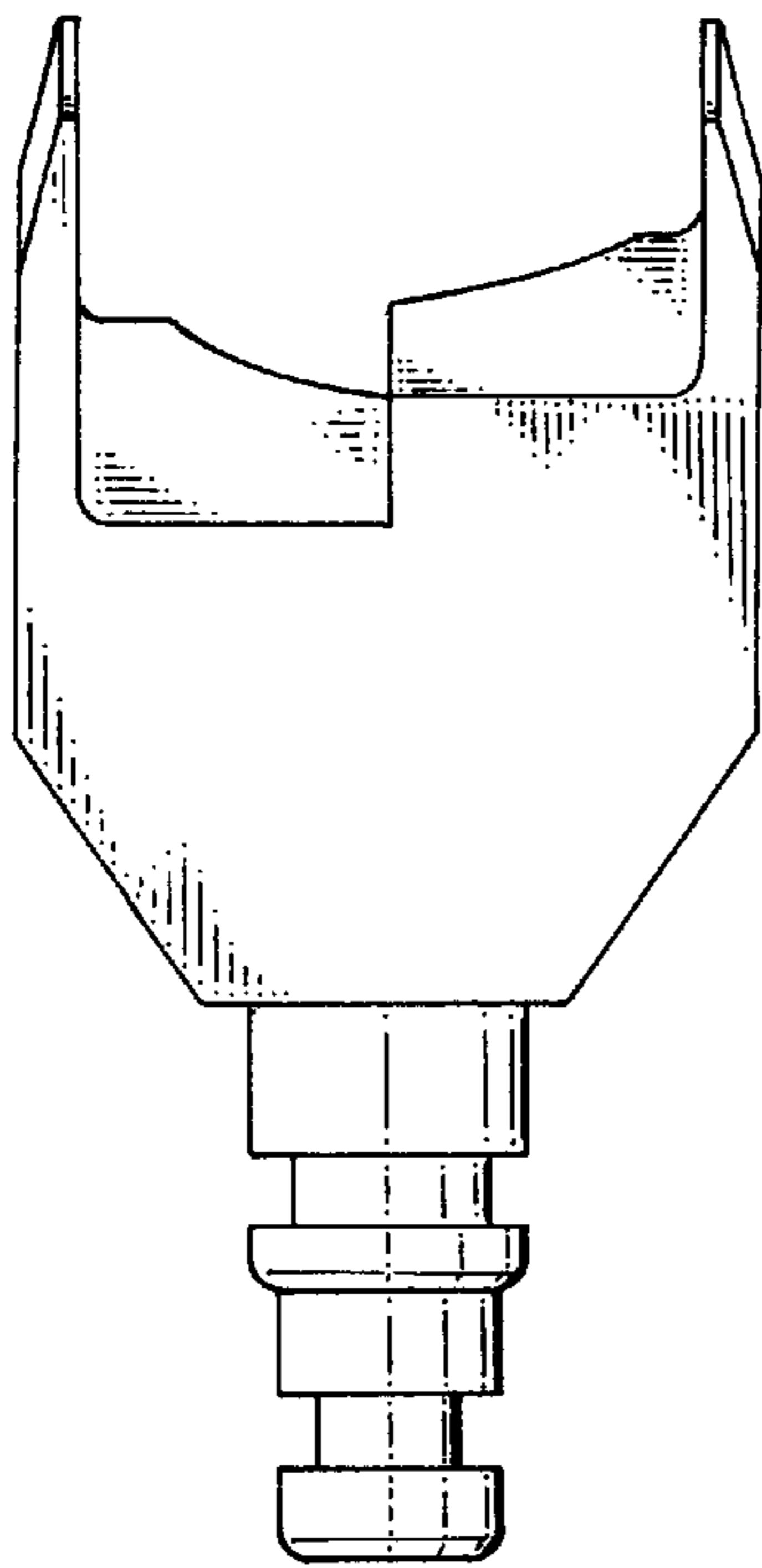


FIG. - 2

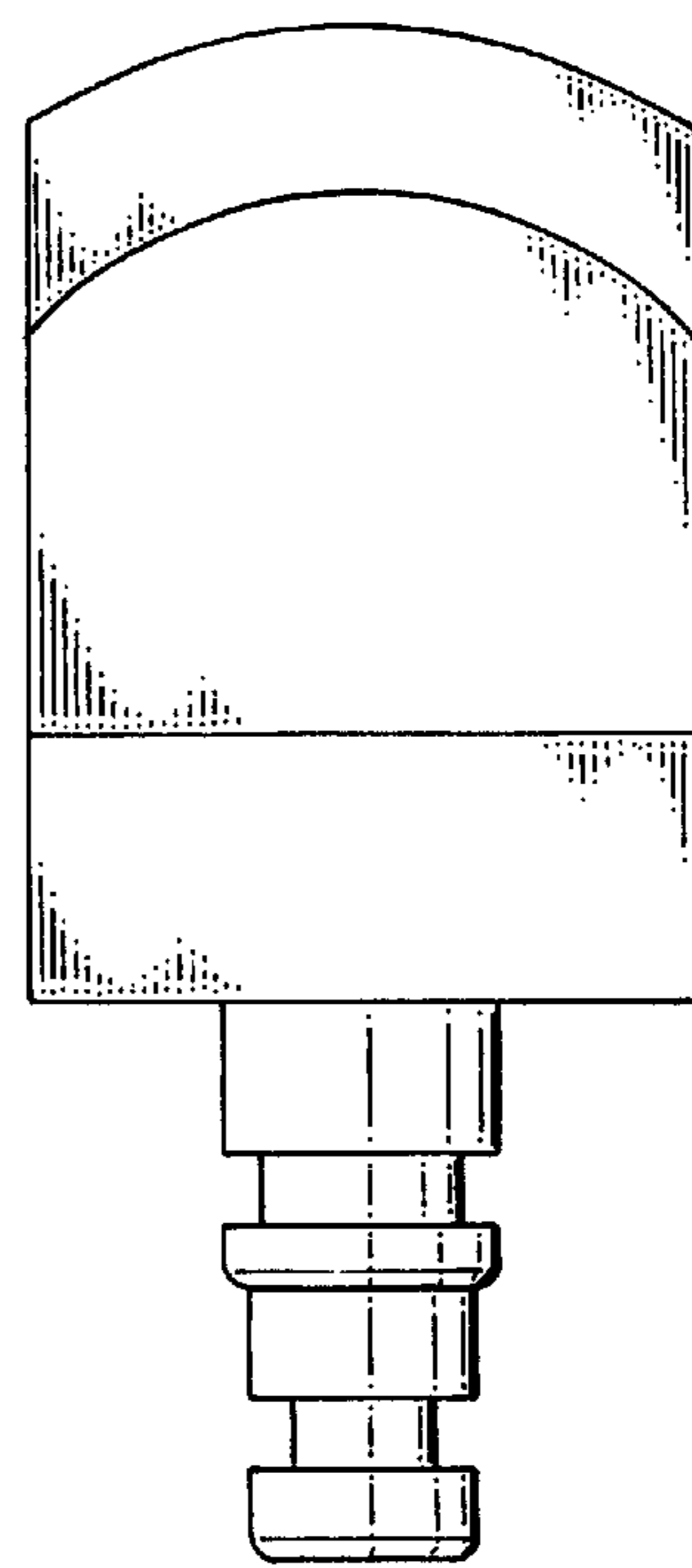


FIG. - 3

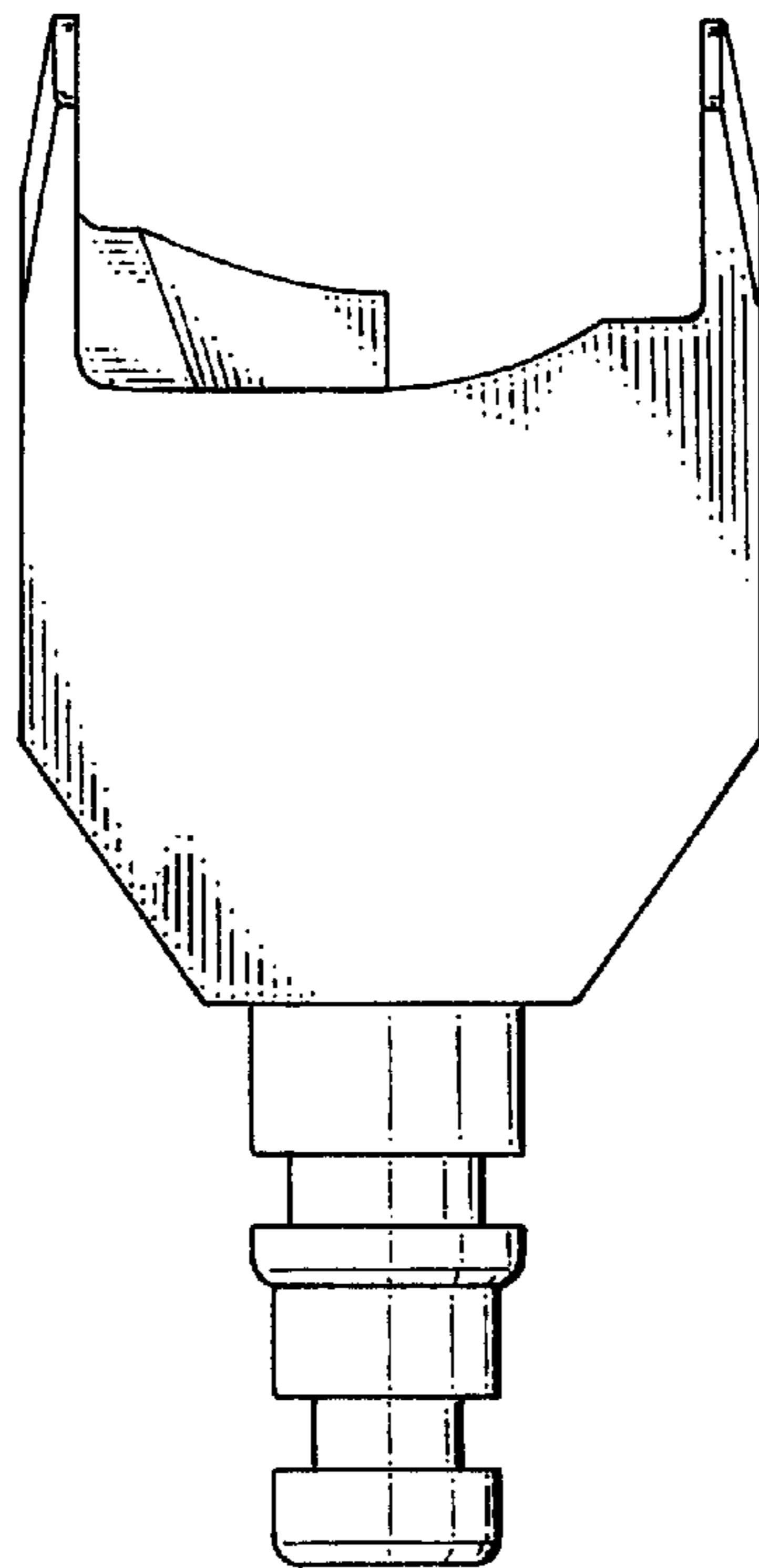


FIG.-4

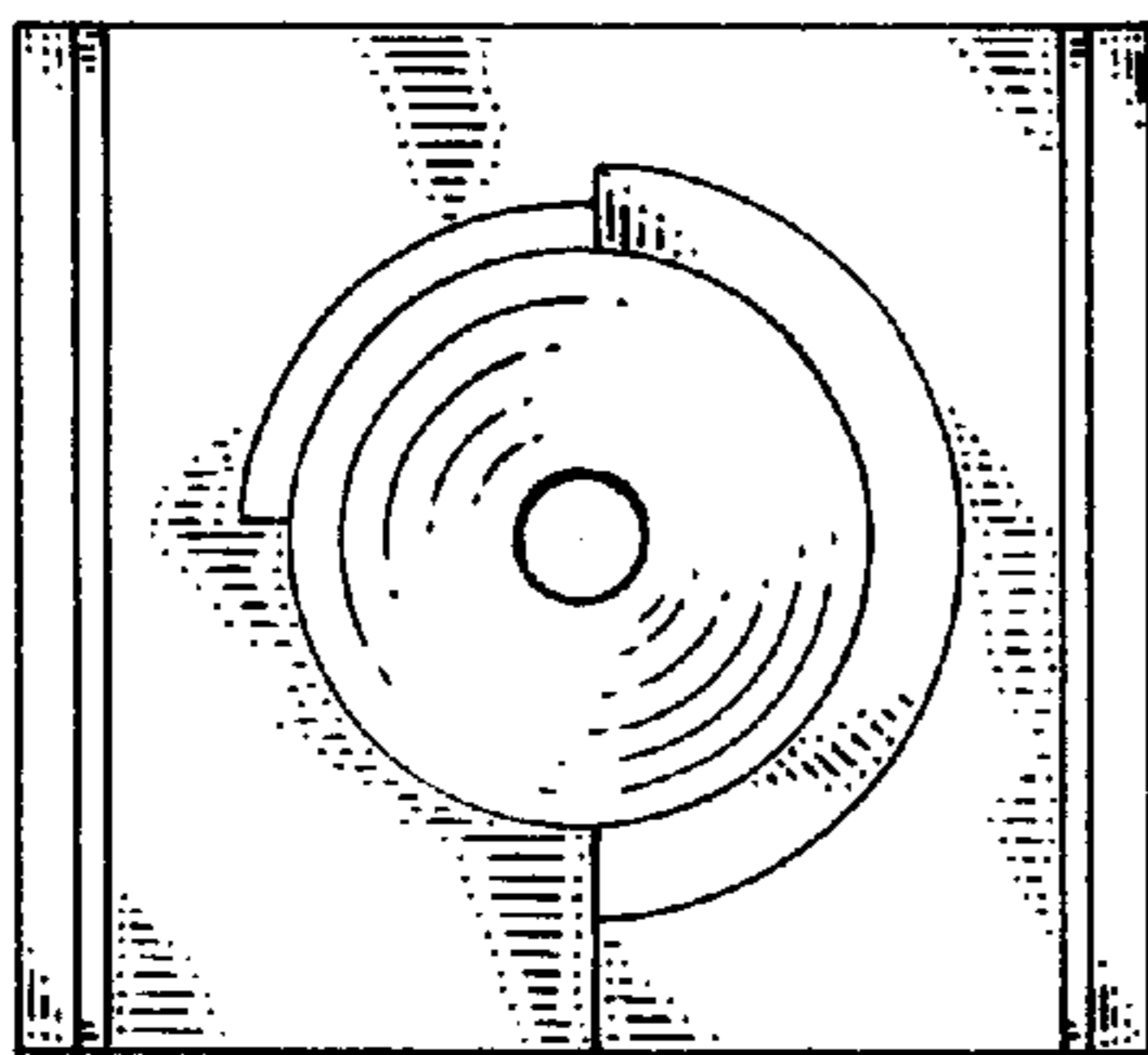


FIG.-5

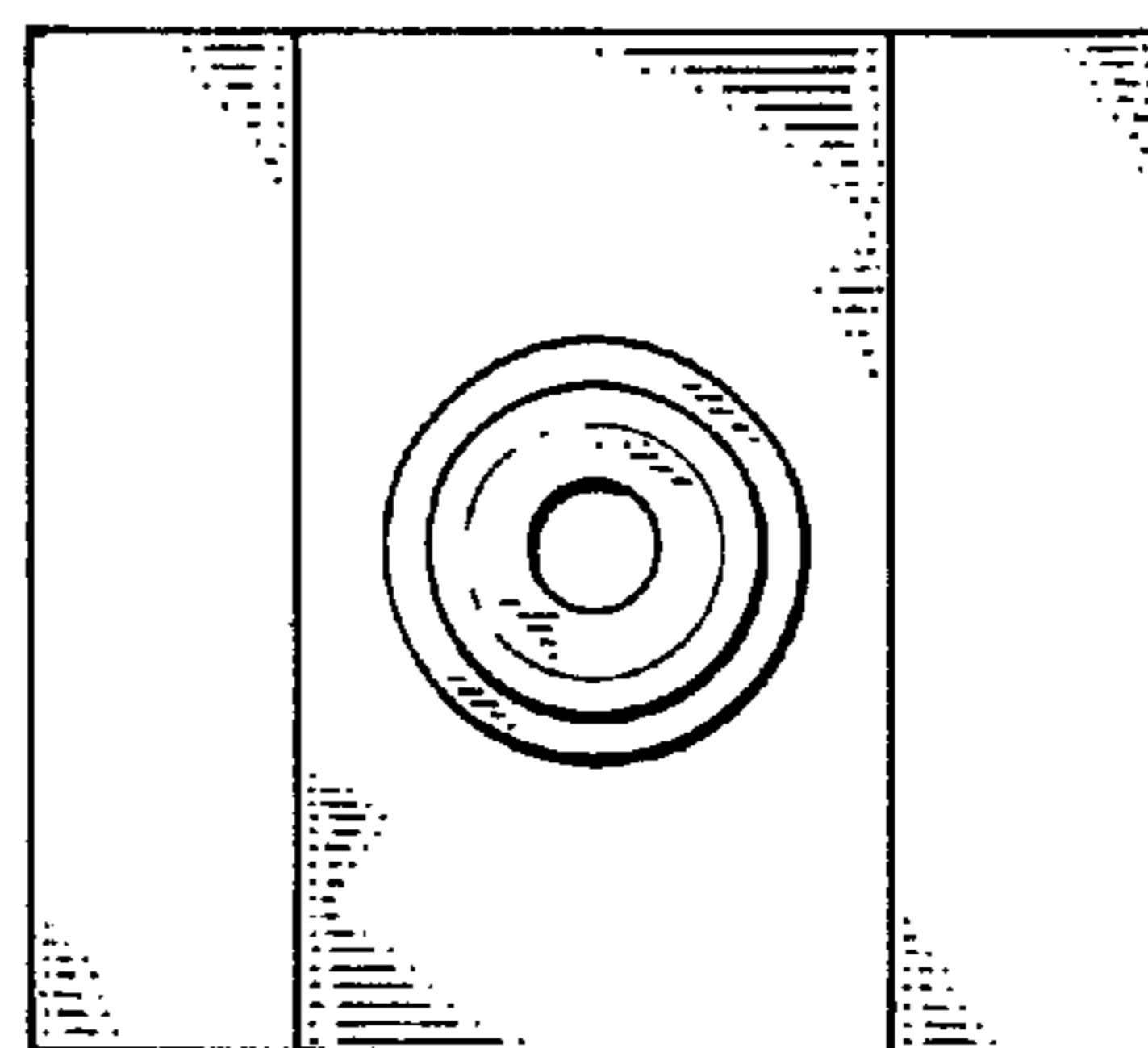


FIG.-6

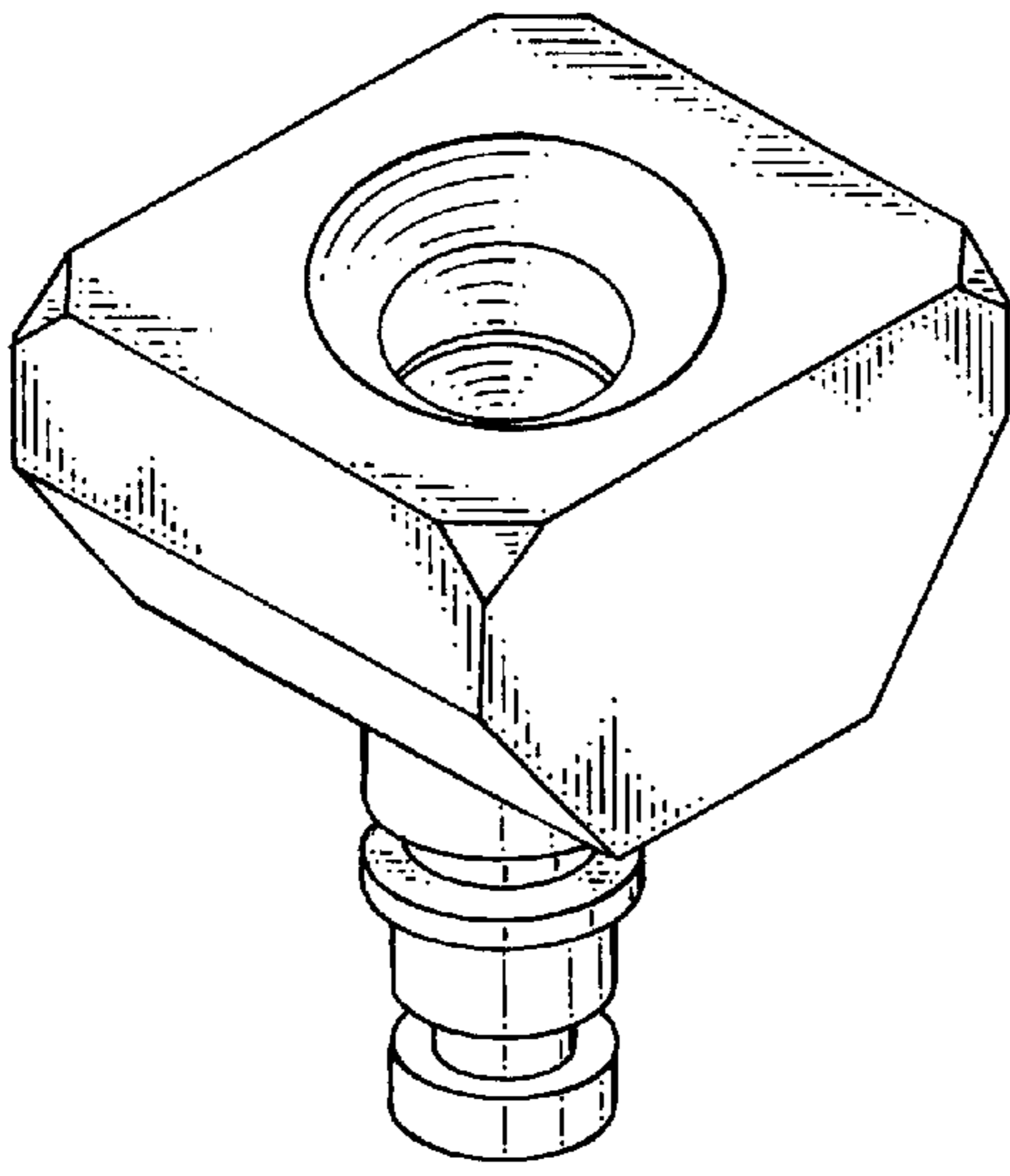


FIG.-7

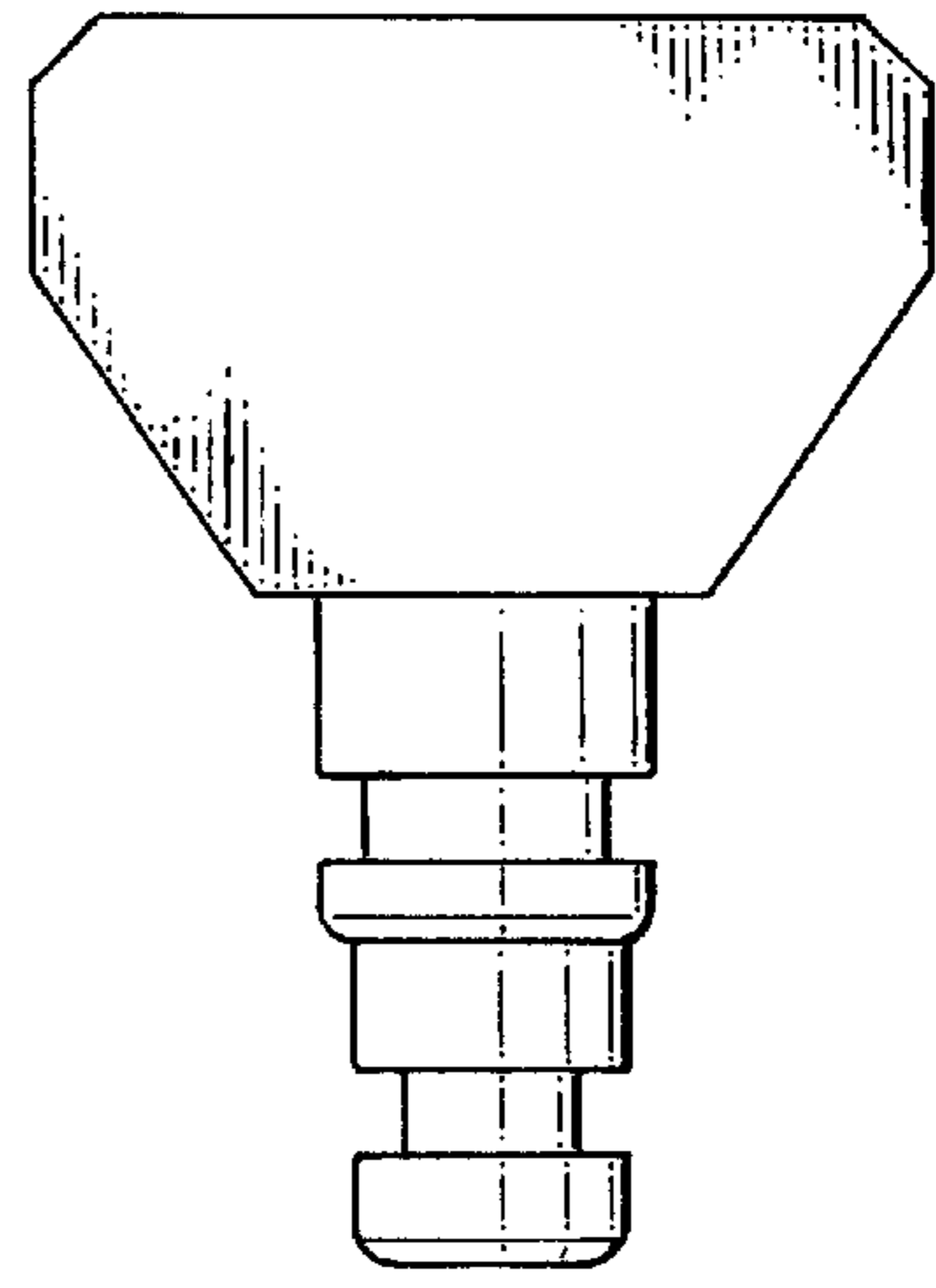


FIG.-8

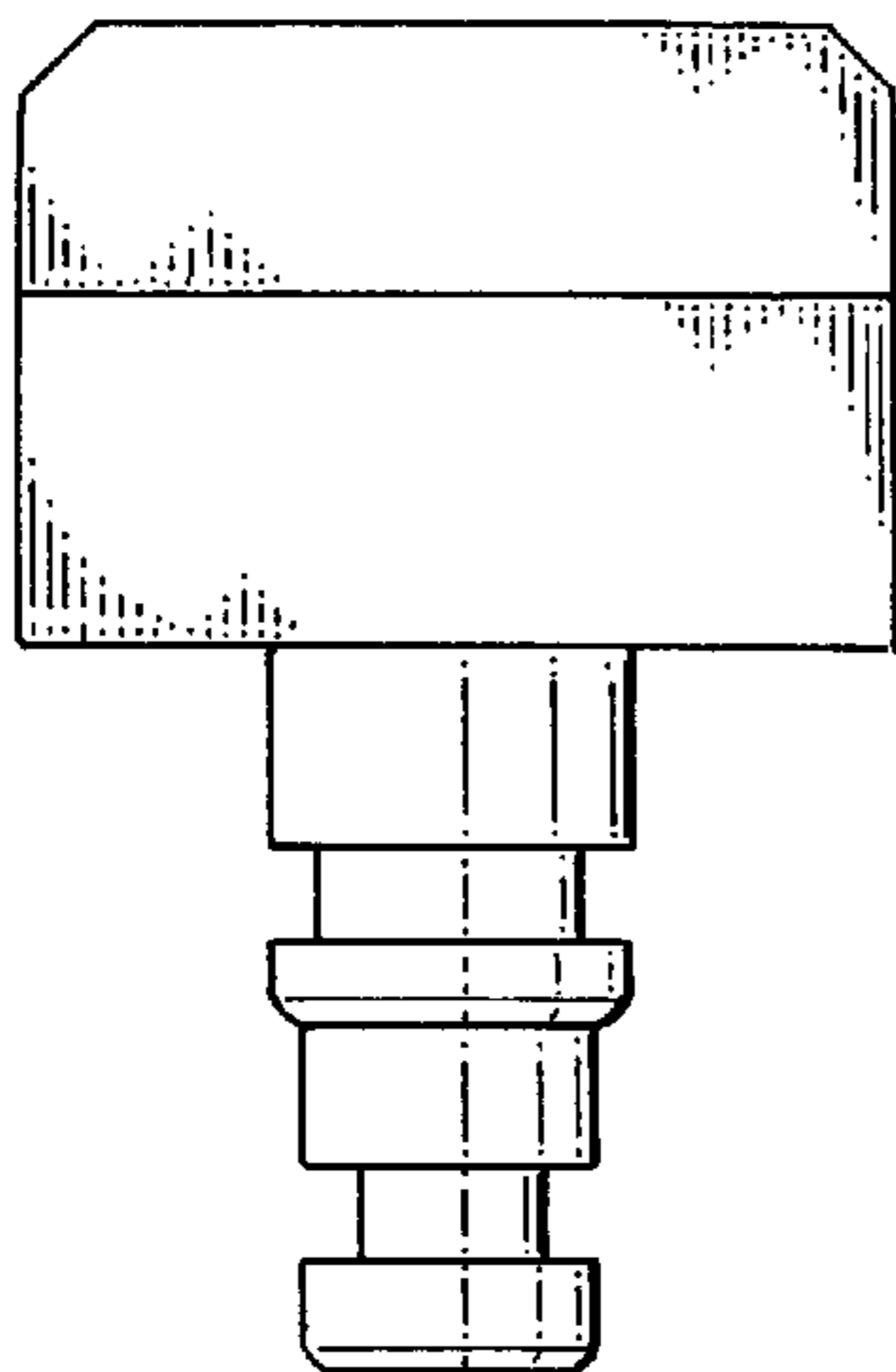


FIG.-9

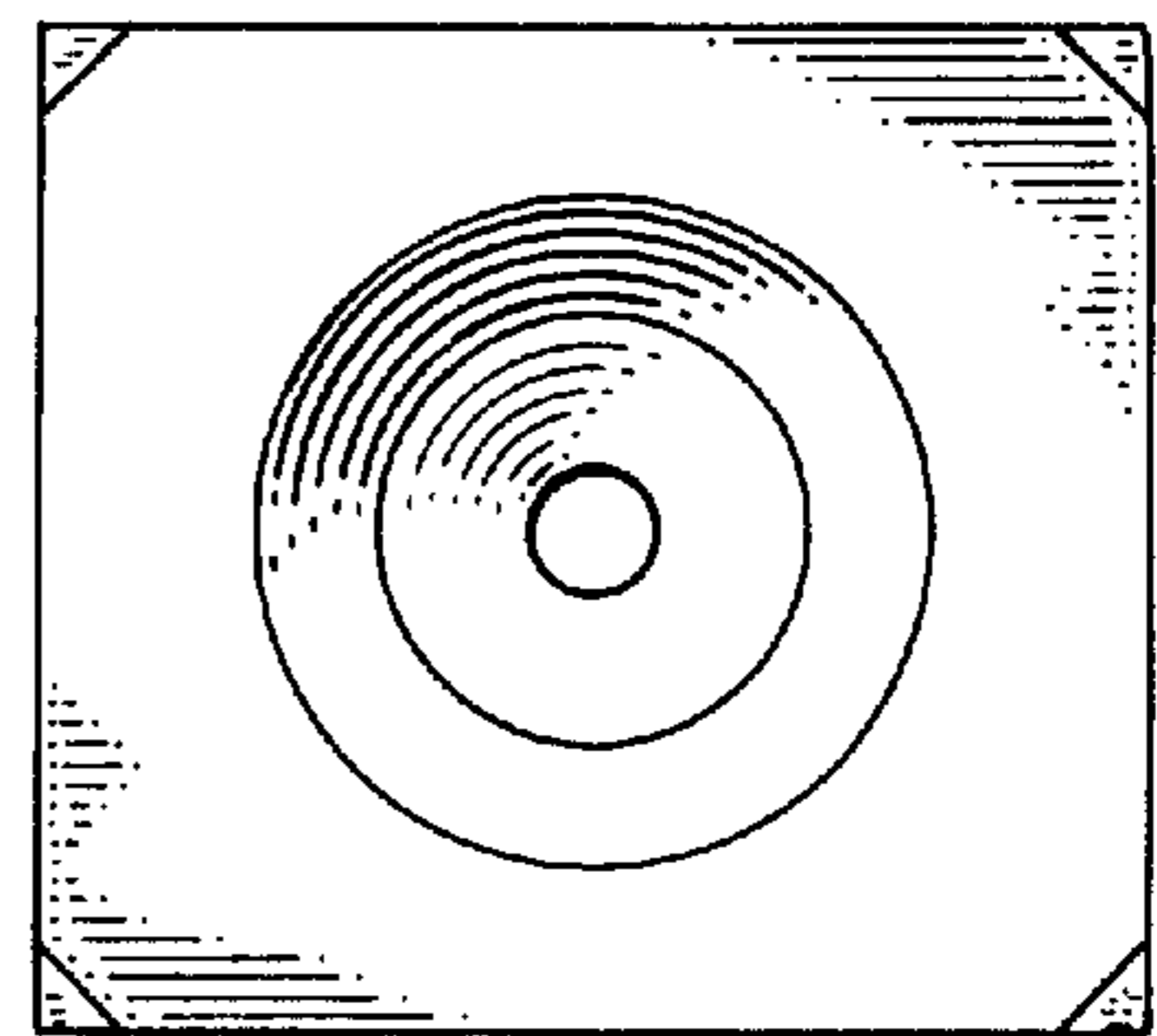


FIG.-10