



US00D474787S

(12) **United States Design Patent**  
**Niebauer et al.**

(10) **Patent No.:** **US D474,787 S**

(45) **Date of Patent:** **\*\* May 20, 2003**

(54) **CUTTING TOOL INSERT**

(75) Inventors: **Kenneth L. Niebauer**, Ligonier, PA (US); **Joseph Victor Nelson**, South Greensburg, PA (US); **James R. Kasperik**, Latrobe, PA (US)

(73) Assignee: **Kennametal Inc.**, Latrobe, PA (US)

(\*\*) Term: **14 Years**

(21) Appl. No.: **29/156,895**

(22) Filed: **Mar. 8, 2002**

(51) **LOC (7) Cl.** ..... **15-09**

(52) **U.S. Cl.** ..... **D15/139**

(58) **Field of Search** ..... D15/138, 139;  
407/114-117

(56) **References Cited**

**U.S. PATENT DOCUMENTS**

5,122,017 A 6/1992 Niebauer ..... 407/114  
D427,215 S \* 6/2000 Nelson ..... D15/139

\* cited by examiner

*Primary Examiner*—Antoine Duval Davis  
(74) *Attorney, Agent, or Firm*—Larry R. Meenan

(57) **CLAIM**

The ornamental design for a cutting tool insert, as shown and described.

**DESCRIPTION**

FIG. 1 is a perspective view of a cutting tool insert showing a first form of our new design;

FIG. 2 is a top plan view of the insert of FIG. 1;

FIG. 3 is a side view of the insert of FIG. 1;

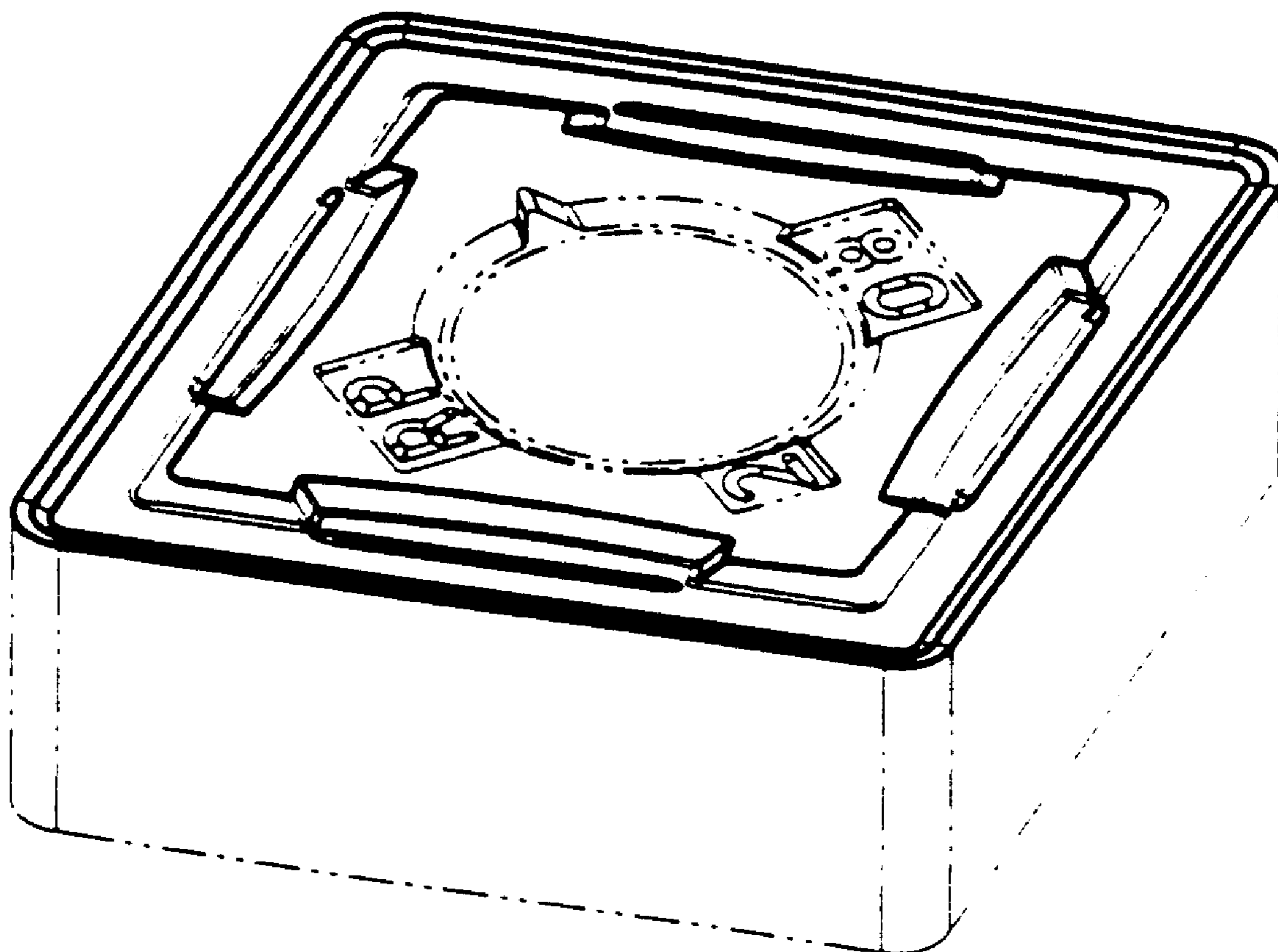
FIG. 4 is a sectional view of the insert of FIG. 2 taken along line 4-4;

FIG. 5 is a sectional view of the insert of FIG. 2 taken along line 5-5; and,

FIG. 6 is a view of a cutting tool insert showing a second form of our new design.

The broken line showing is for illustrative purposes only and forms no part of the claimed design.

**1 Claim, 3 Drawing Sheets**



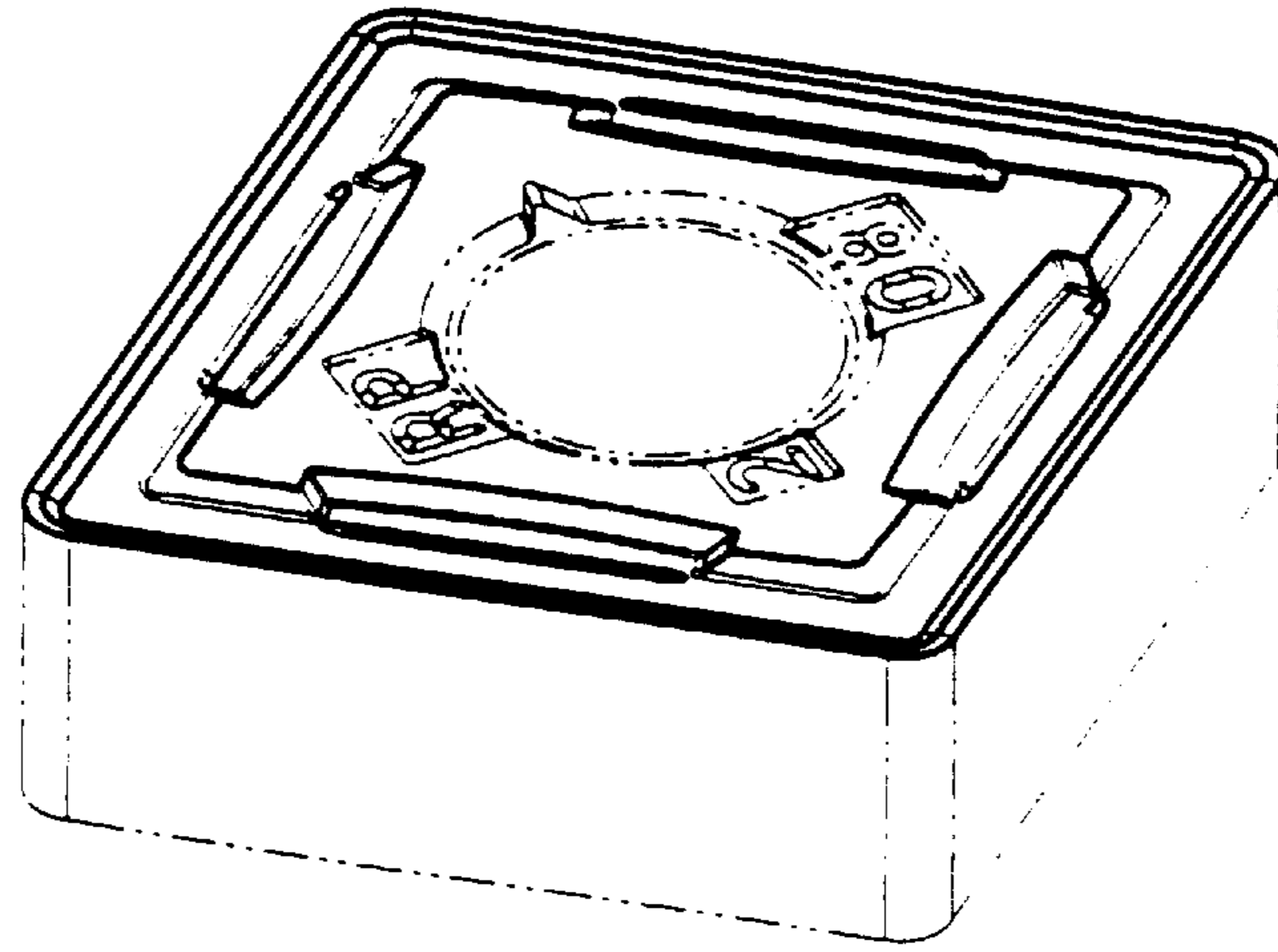


FIG. 1

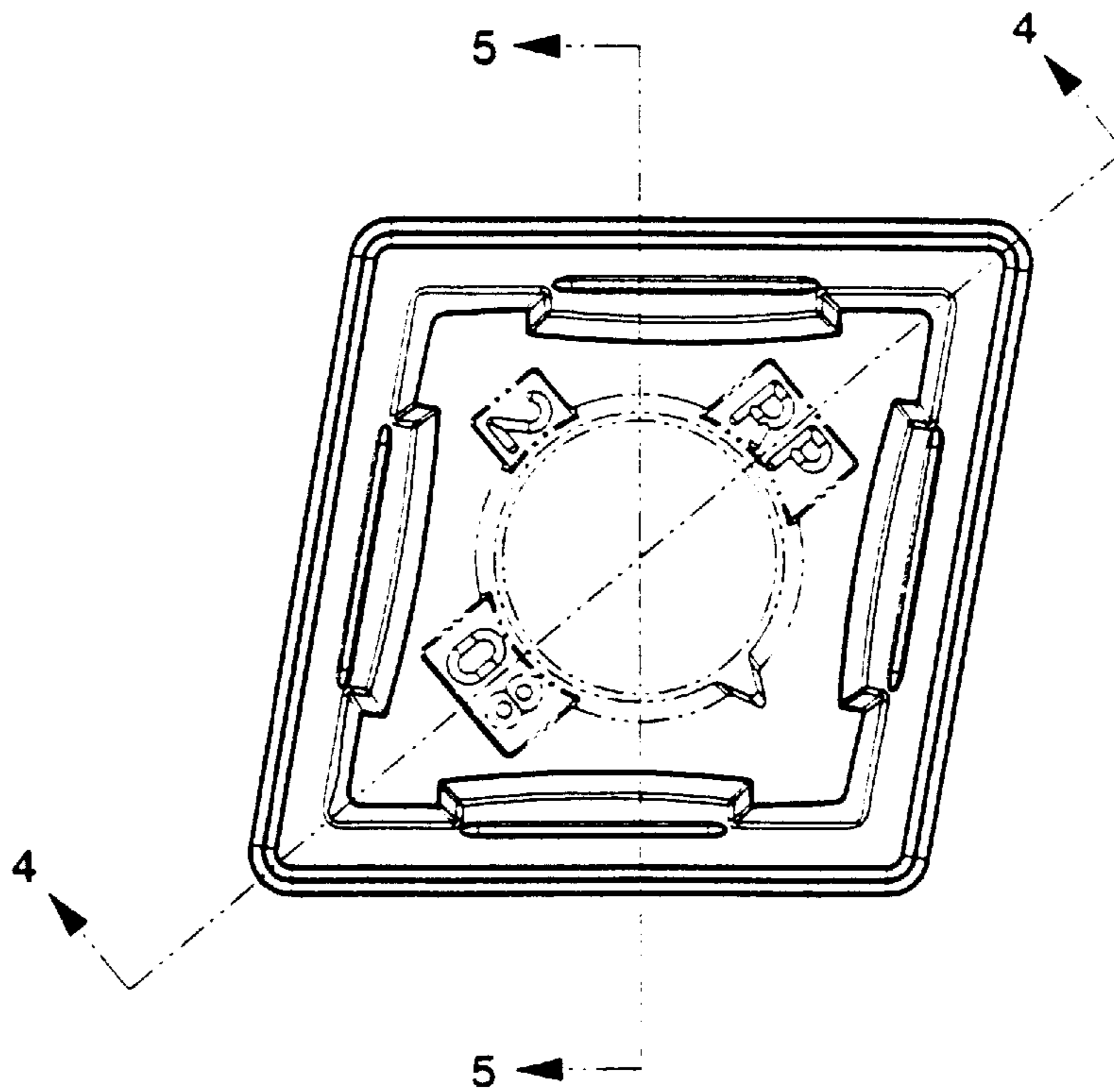


FIG. 2

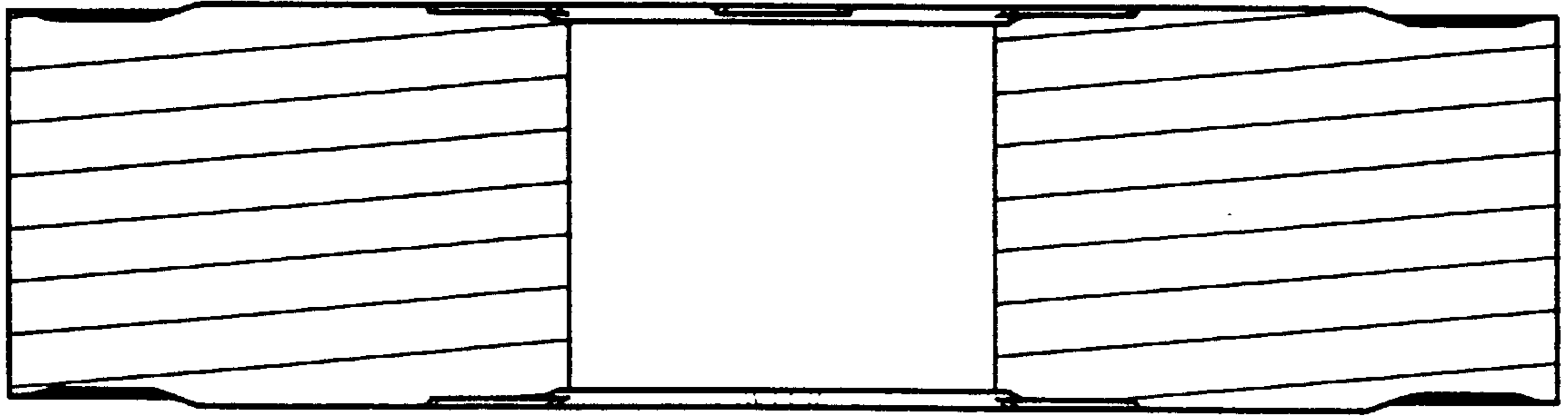


FIG. 4

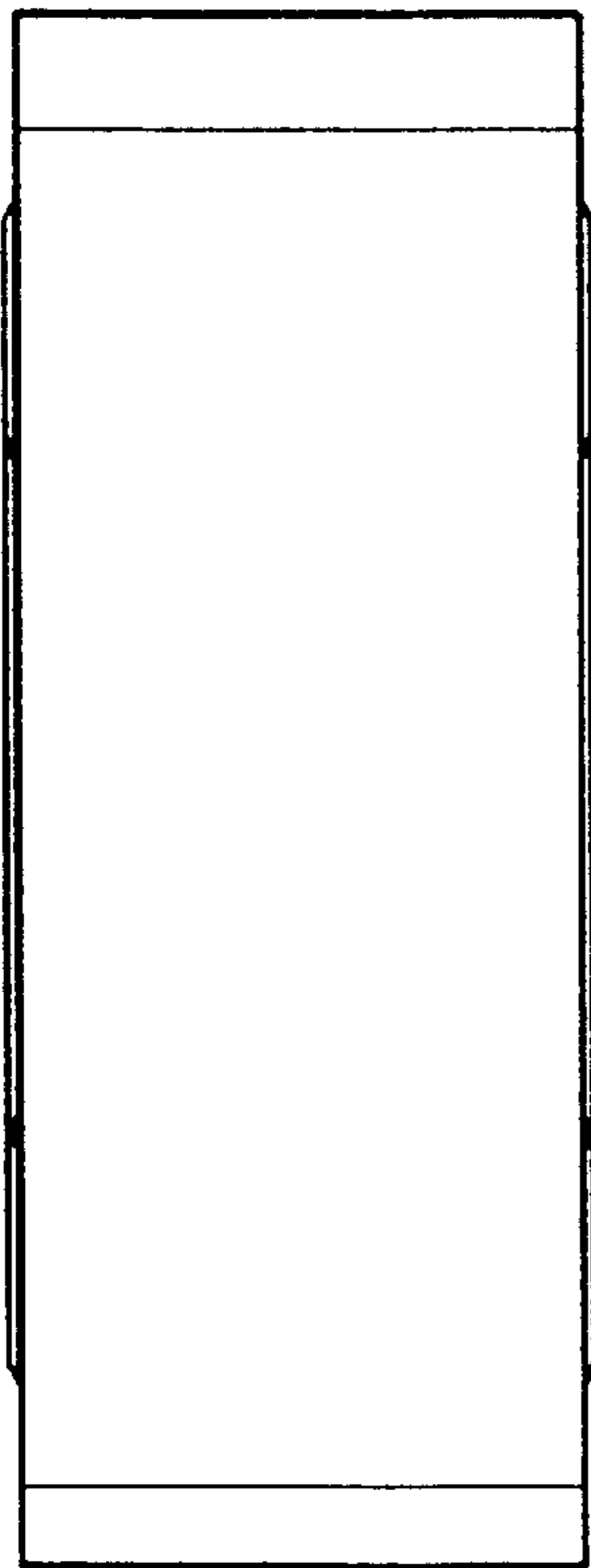


FIG. 3

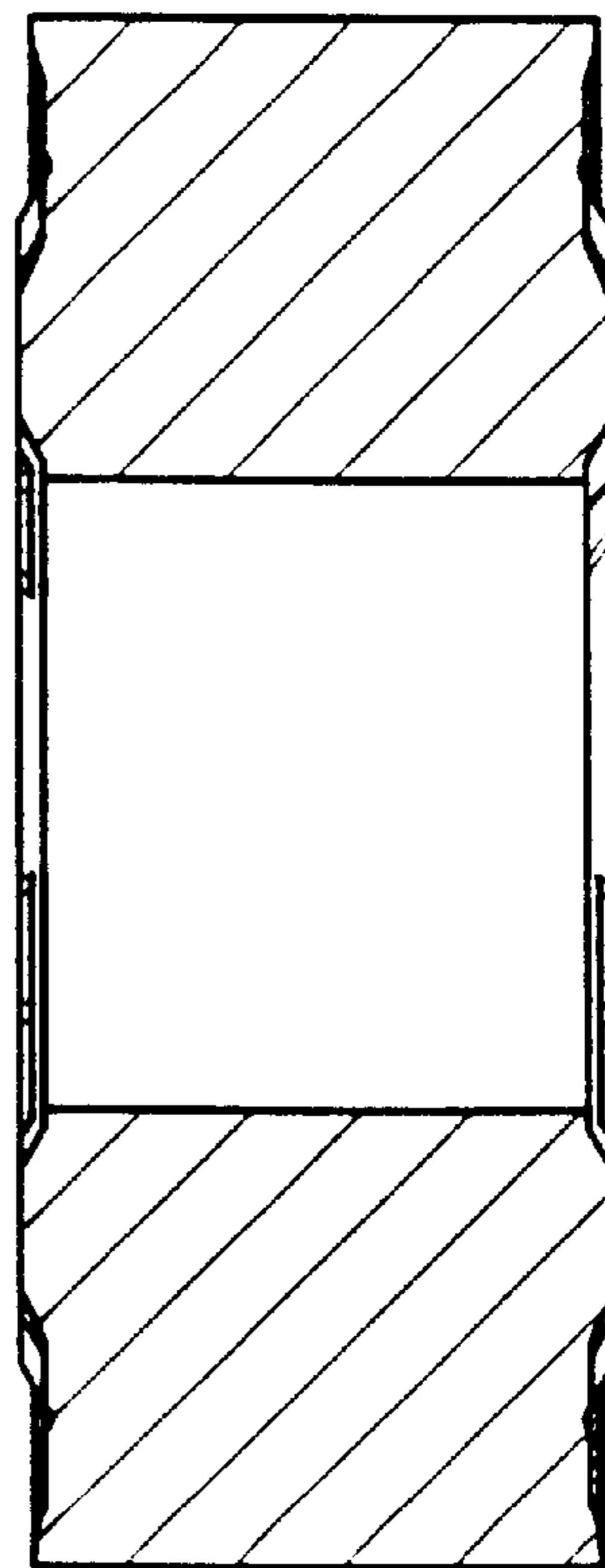


FIG. 5

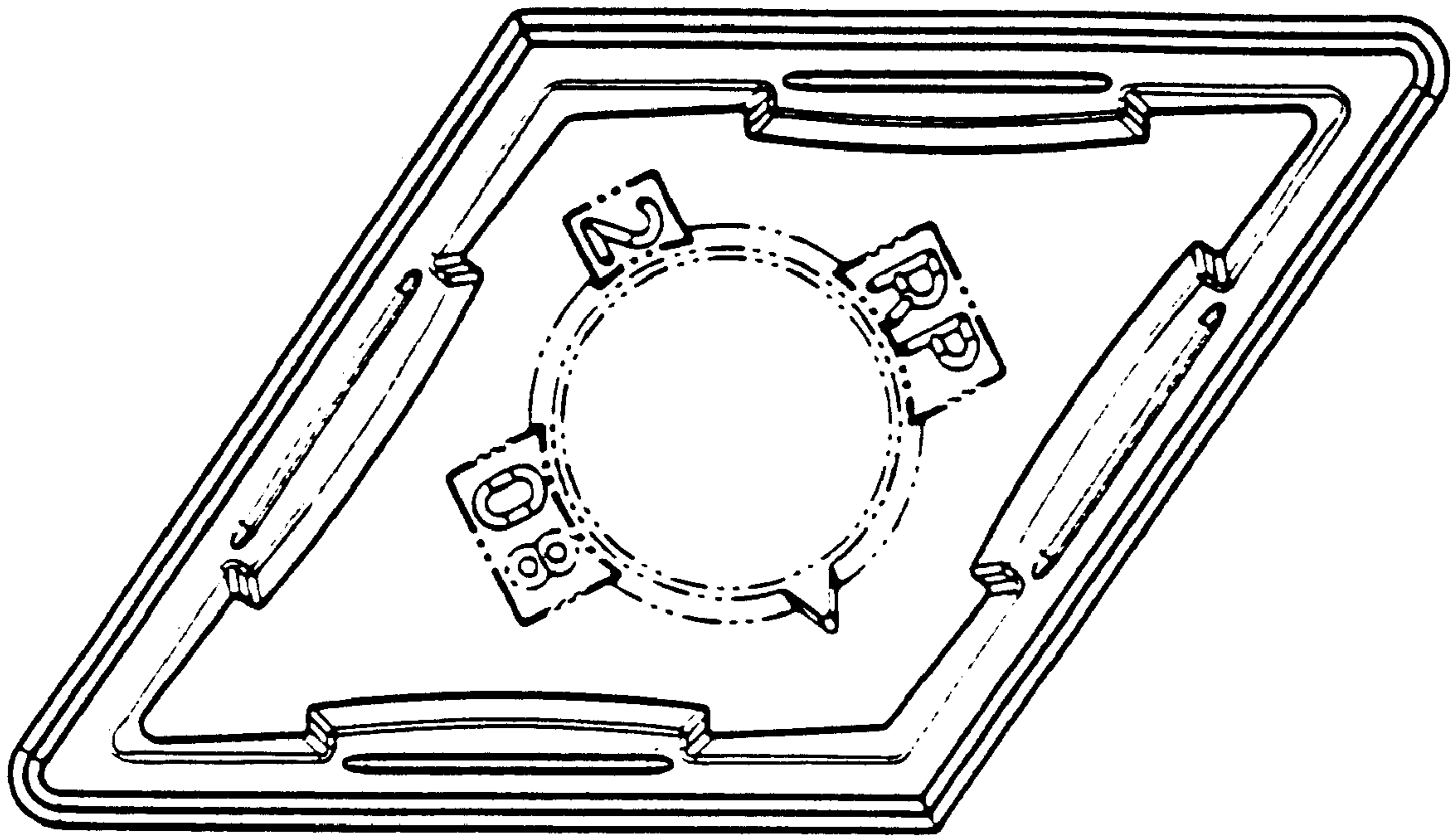


FIG. 6