



US00D474785S

(12) **United States Design Patent**
Carter et al.

(10) **Patent No.:** **US D474,785 S**

(45) **Date of Patent:** **** May 20, 2003**

(54) **COMPUTERIZED EMBROIDERY MACHINE**

(75) Inventors: **James S. Carter**, Denver, CO (US);
Manfred Zesch, Fussach (AT)

(73) Assignee: **Melco Industries, Inc.**, Denver, CO (US)

(**) Term: **14 Years**

(21) Appl. No.: **29/155,010**

(22) Filed: **Jan. 31, 2002**

(51) **LOC (7) Cl.** **15-06**

(52) **U.S. Cl.** **D15/66**

(58) **Field of Search** D15/66, 69, 72;
38/102.2, 102.5; 112/321.12, 121.31, 80.4,
80.56, 475.07, 152, 235, 80.52

(56) **References Cited**

U.S. PATENT DOCUMENTS

3,019,748	A	*	2/1962	Caro	112/80.4
4,432,294	A	*	2/1984	Price et al.	112/475.07
D284,578	S	*	7/1986	Yoneda	D15/72
D284,670	S	*	7/1986	Yoneda	D15/69

* cited by examiner

Primary Examiner—Mitchell Siegel

(74) *Attorney, Agent, or Firm*—Sheridan Ross P.C.

(57) **CLAIM**

The ornamental design for a computerized embroidery machine, as shown and described.

DESCRIPTION

FIG. 1 is a front perspective view of a computerized embroidery machine showing our new design;

FIG. 2 is a front elevation view of the invention illustrated in FIG. 1;

FIG. 3 is a rear elevation view of the invention illustrated in FIG. 1;

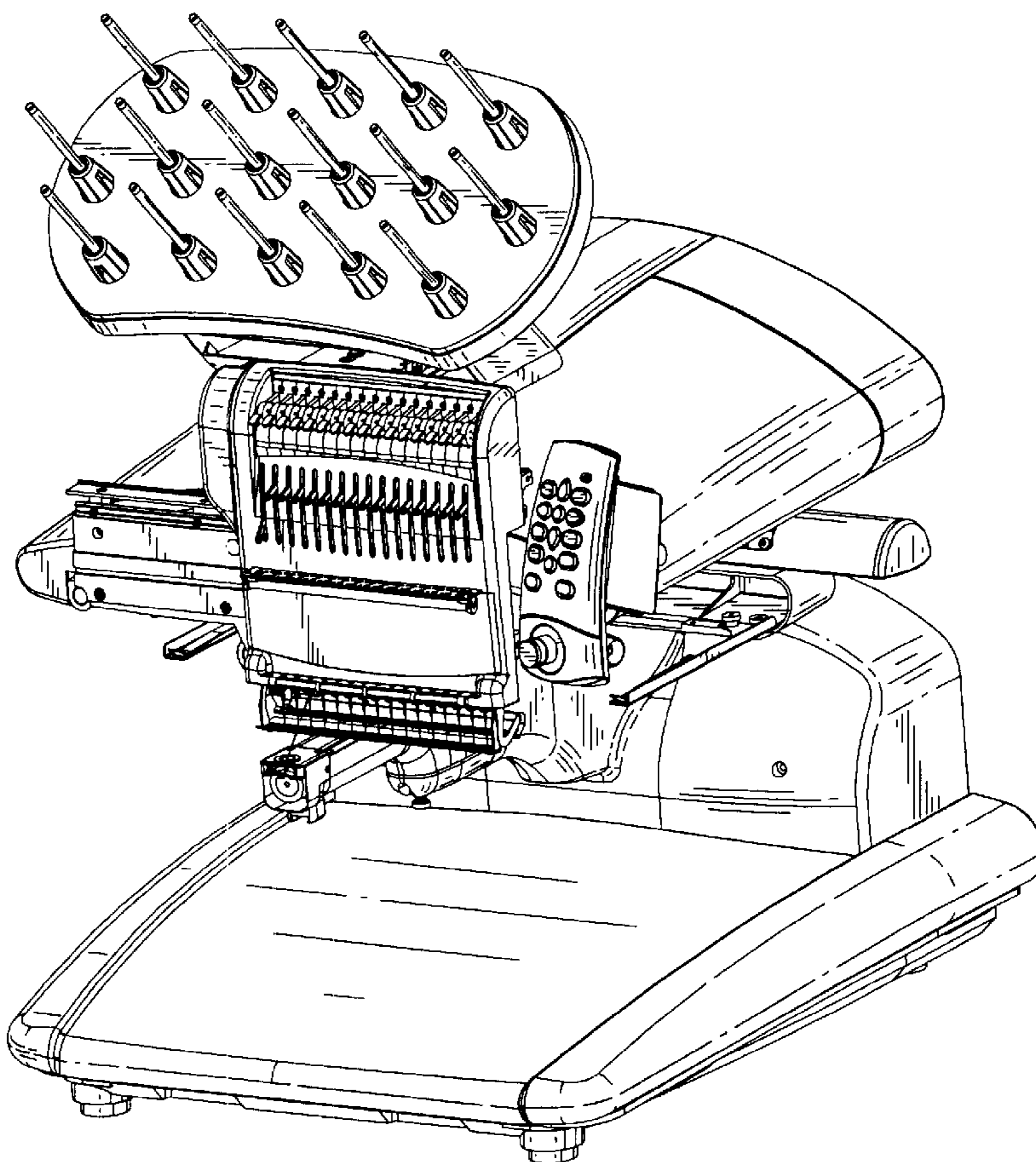
FIG. 4 is a right elevation view of the invention illustrated in FIG. 1;

FIG. 5 is a left elevation view of the invention illustrated in FIG. 1;

FIG. 6 is a top plan view of the invention illustrated in FIG. 1; and,

FIG. 7 is a bottom plan view of the invention illustrated in FIG. 1.

1 Claim, 4 Drawing Sheets



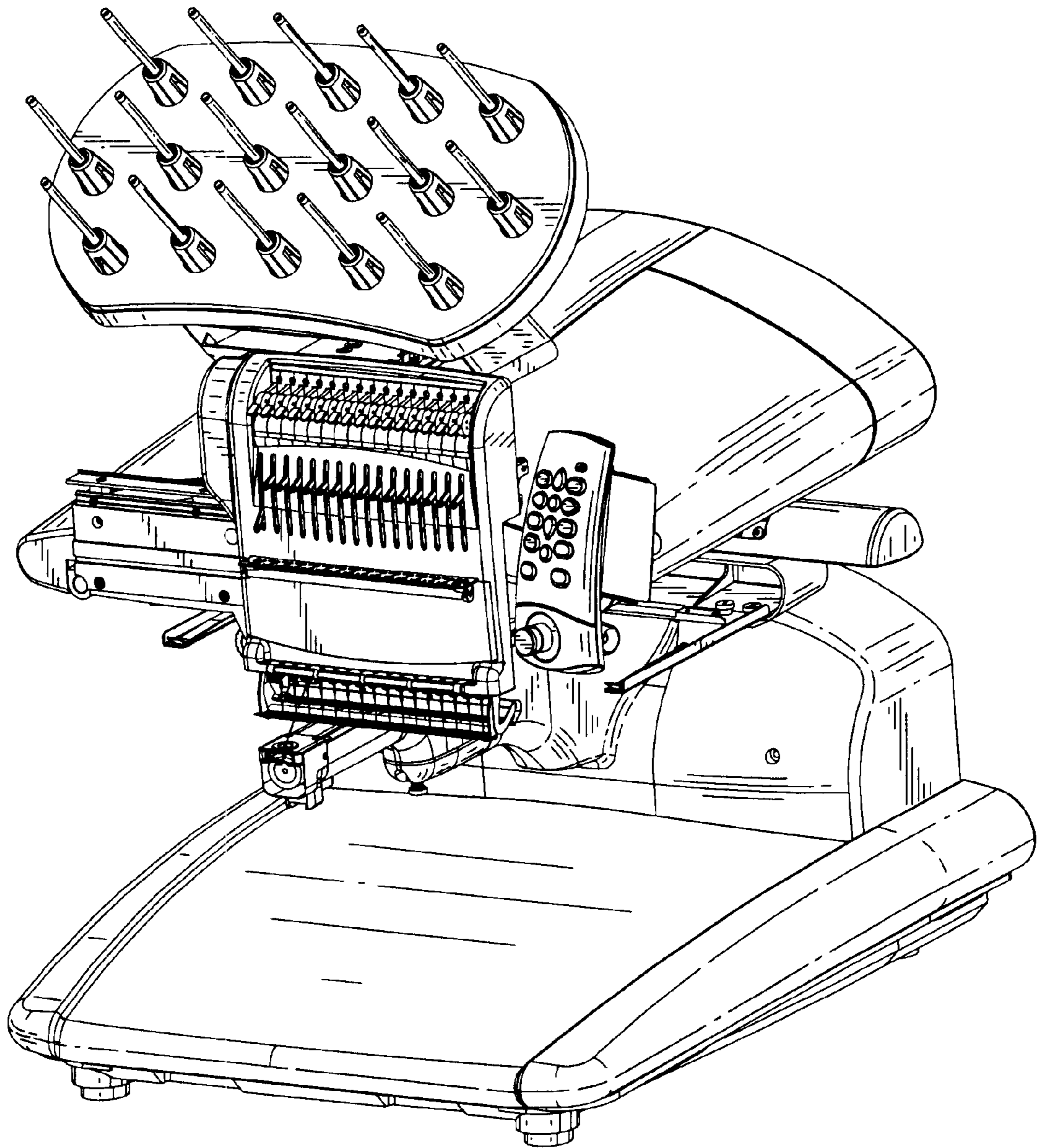


FIG. 1

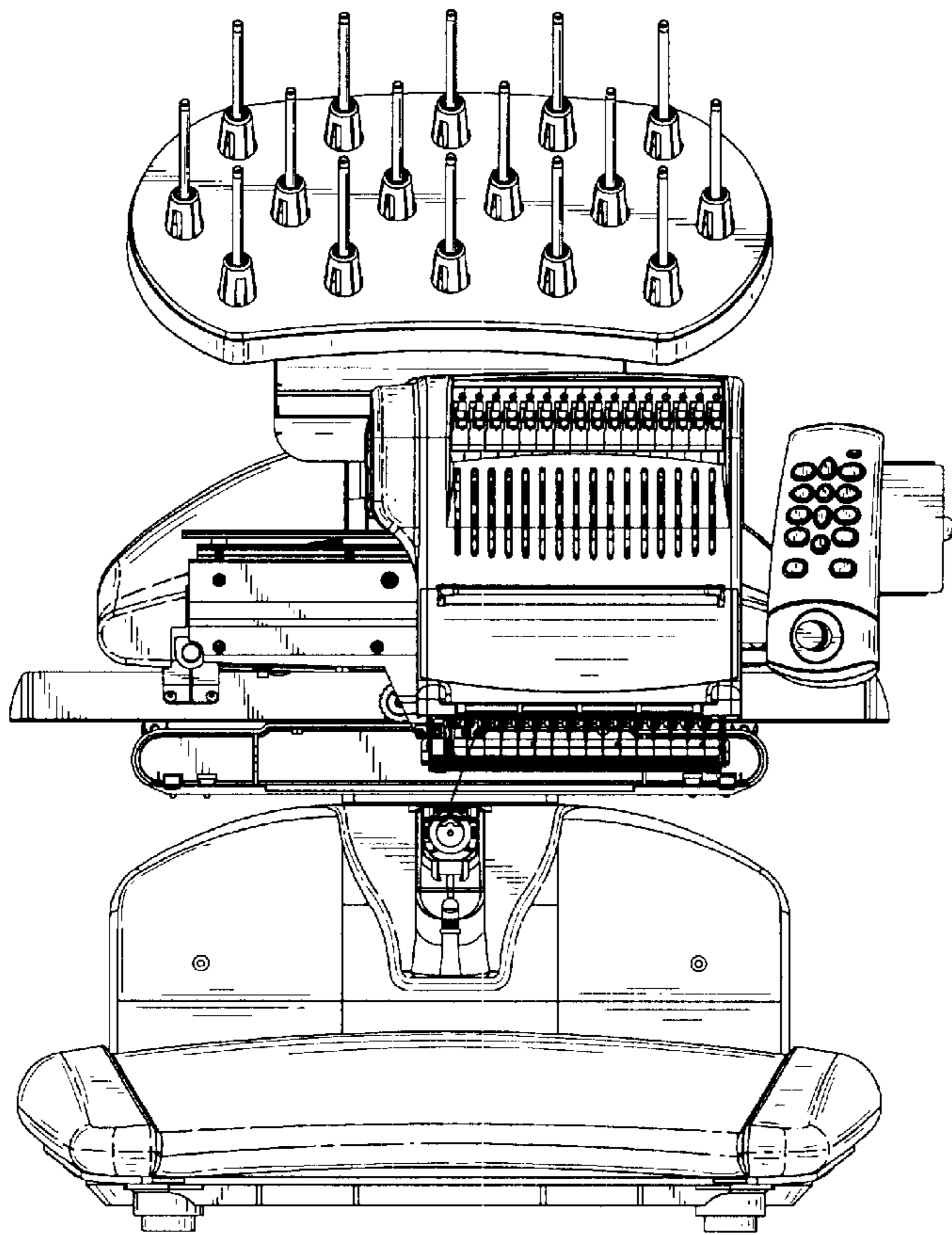


FIG. 2

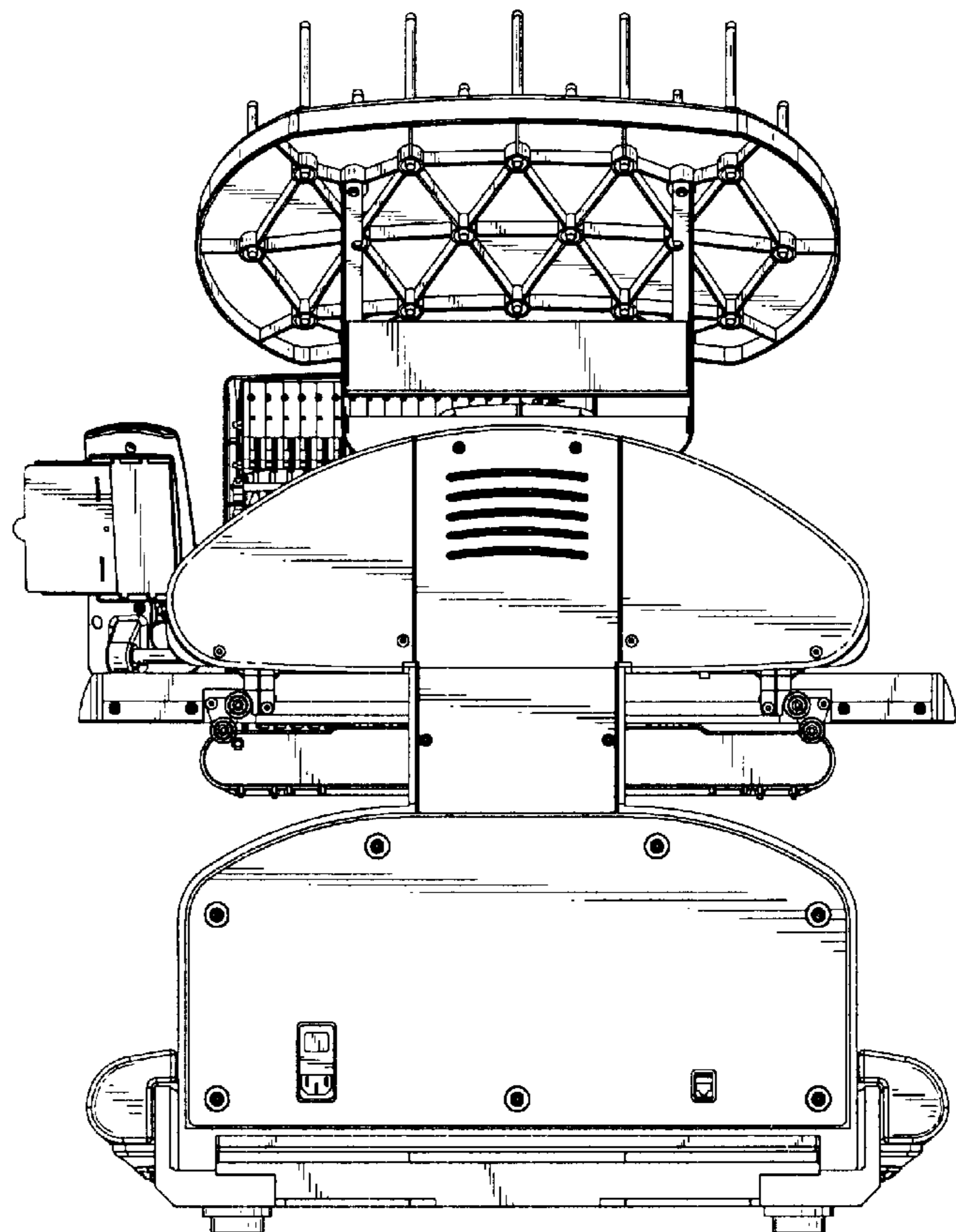


FIG. 3

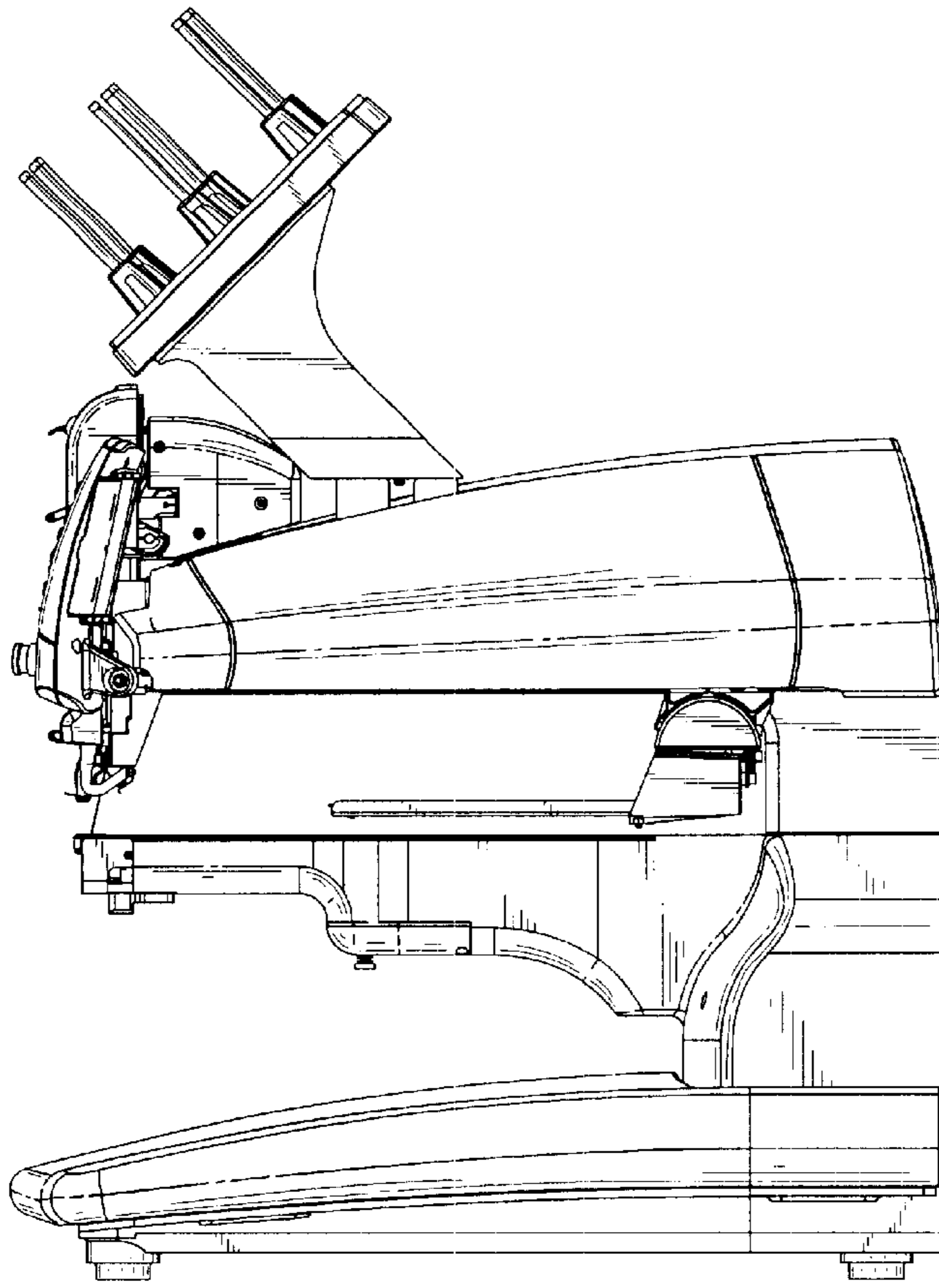


FIG.4

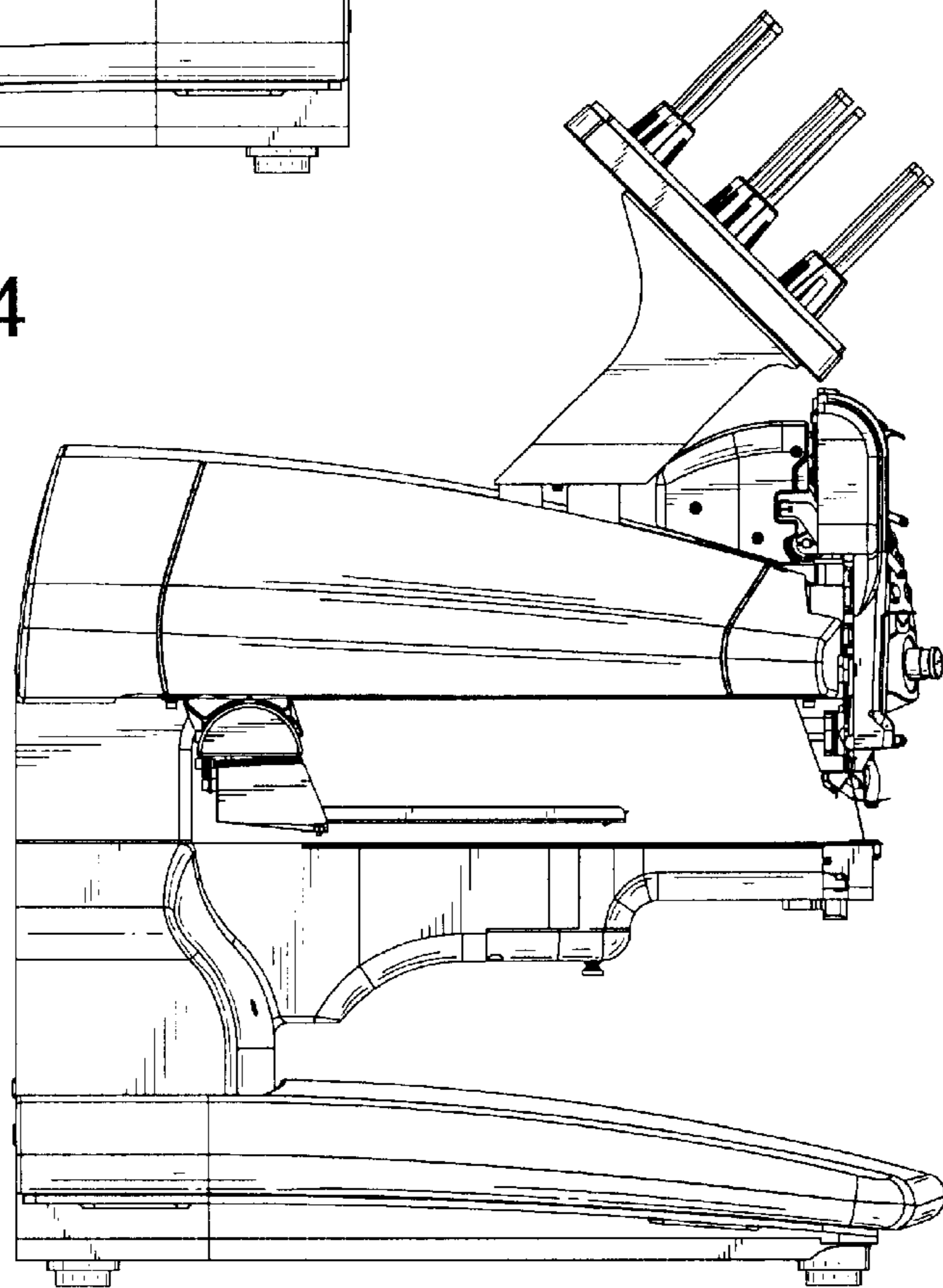


FIG.5

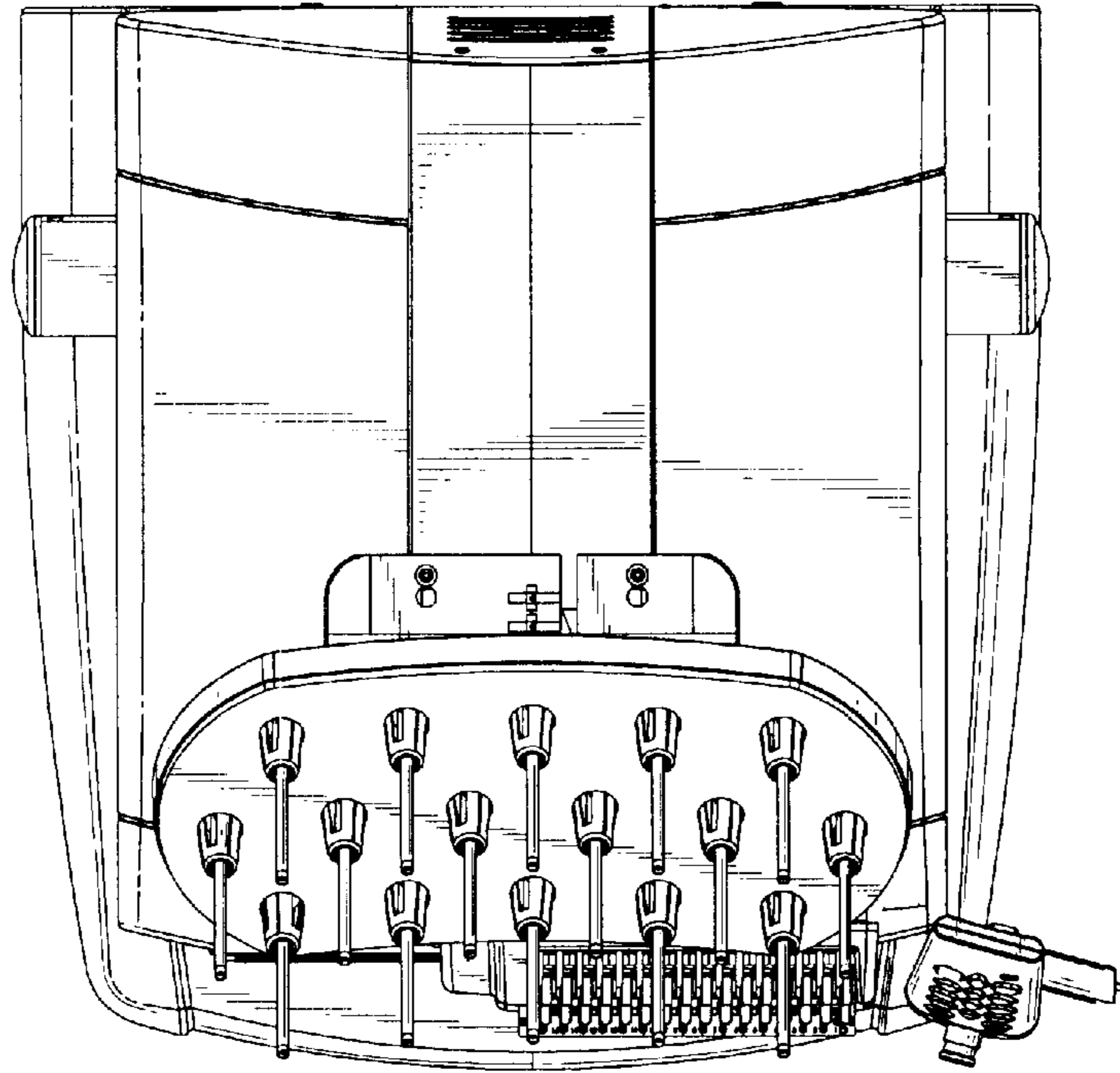


FIG. 6

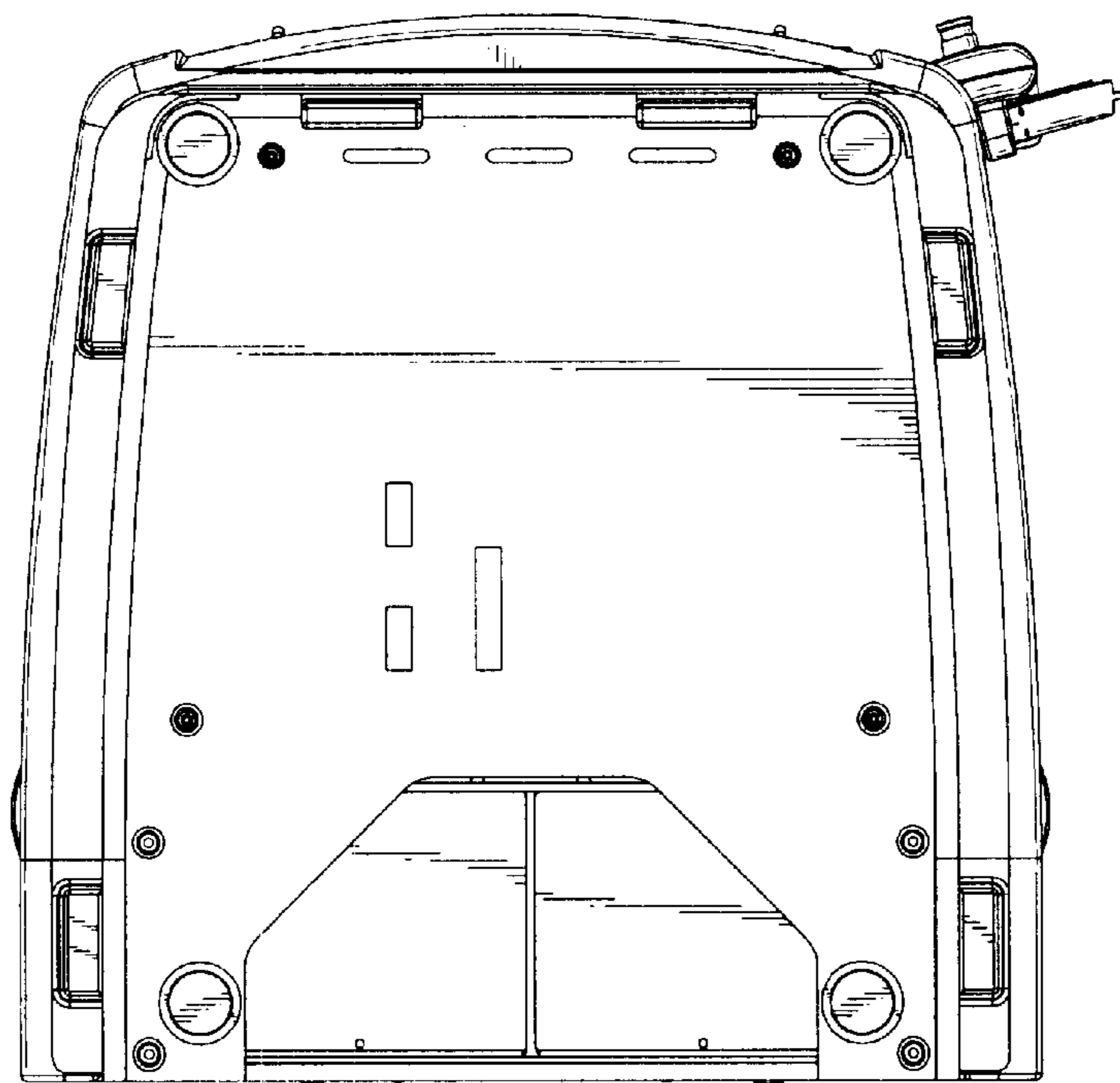


FIG. 7