



US00D474784S

(12) **United States Design Patent**
Sanschagrın et al.

(10) **Patent No.:** **US D474,784 S**

(45) **Date of Patent:** **** May 20, 2003**

(54) **COWLING**

(75) Inventors: **Stephane Sanschagrın**, St-Hyacinthe (CA); **Pierre Vignau**, Montreal (CA)

(73) Assignee: **Bombardier Motor Corporation of America**, Grant, FL (US)

(**) Term: **14 Years**

(21) Appl. No.: **29/159,706**

(22) Filed: **Apr. 26, 2002**

(51) **LOC (7) Cl.** **15-01**

(52) **U.S. Cl.** **D15/4**

(58) **Field of Search** D15/1-5; 440/3-6, 440/52, 88; 123/495; 290/43-46, 54

(56) **References Cited**

U.S. PATENT DOCUMENTS

D412,911 S	*	8/1999	Iekura	D15/4
D418,519 S	*	1/2000	Iekura	D15/4
D422,599 S	*	4/2000	Iekura	D15/4
D428,616 S	*	7/2000	Iekura	D15/4
D457,166 S	*	5/2002	Burmeister et al.	D15/4
D458,273 S	*	6/2002	Burmeister et al.	D15/4
D463,448 S	*	9/2002	Osumi et al.	D15/4

OTHER PUBLICATIONS

<http://www.evinrude.com/evinrude/web/jsp/mainPage.jsp?Params=N.US.200001.0>, Copyright 2001.

<http://www.evinrude.com/evinrude/web/jsp/mainPage.jsp?Params=N.US.200002.0>, Copyright 2001.

<http://www.evinrude.com/evinrude/web/jsp/mainPage.jsp?Params=N.US.200003.0>, Copyright 2001.

<http://www.evinrude.com/evinrude/web/jsp/mainPage.jsp?Params=N.US.200004.0>, Copyright 2001.

<http://www.johnson.com/Johnson/web/jsp/mainPage.jsp?Params=N.US.200008.0>, Copyright 2001.

<http://www.johnson.com/Johnson/web/jsp/mainPage.jsp?Params=N.US.200009.0>, Copyright 2001.

<http://www.johnson.com/Johnson/web/jsp/mainPage.jsp?Params=N.US.200001.0>, Copyright 2001.

<http://www.johnson.com/Johnson/web/jsp/mainPage.jsp?Params=N.US.200002.0>, Copyright 2001.

<http://www.johnson.com/Johnson/web/jsp/mainPage.jsp?Params=N.US.200004.0>, Copyright 2001.

<http://www.johnson.com/Johnson/web/jsp/mainPage.jsp?Params=N.US.200005.0>, Copyright 2001.

<http://www.hondabf225.com/bf225.htm>, Copyright 2000.

<http://www.honda-marine.com/bf225.htm>, Copyright 2000.

(List continued on next page.)

Primary Examiner—Melody N. Brown

(74) *Attorney, Agent, or Firm*—Pillsbury Winthrop LLP

(57) **CLAIM**

The ornamental design for a cowling, as shown and described.

DESCRIPTION

FIG. 1 is a perspective view, from the rear, left side, of the cowling of our design;

FIG. 2 is a perspective view thereof, from the front, left side;

FIG. 3 is a front view thereof;

FIG. 4 is a rear view thereof;

FIG. 5 is a left side view thereof, the right side view being a mirror image;

FIG. 6 is a top view thereof;

FIG. 7 is a perspective view, from the rear, left side, of the cowling showing a second embodiment of our design;

FIG. 8 is a perspective view of FIG. 7, from the front, left side;

FIG. 9 is a front view of FIG. 7;

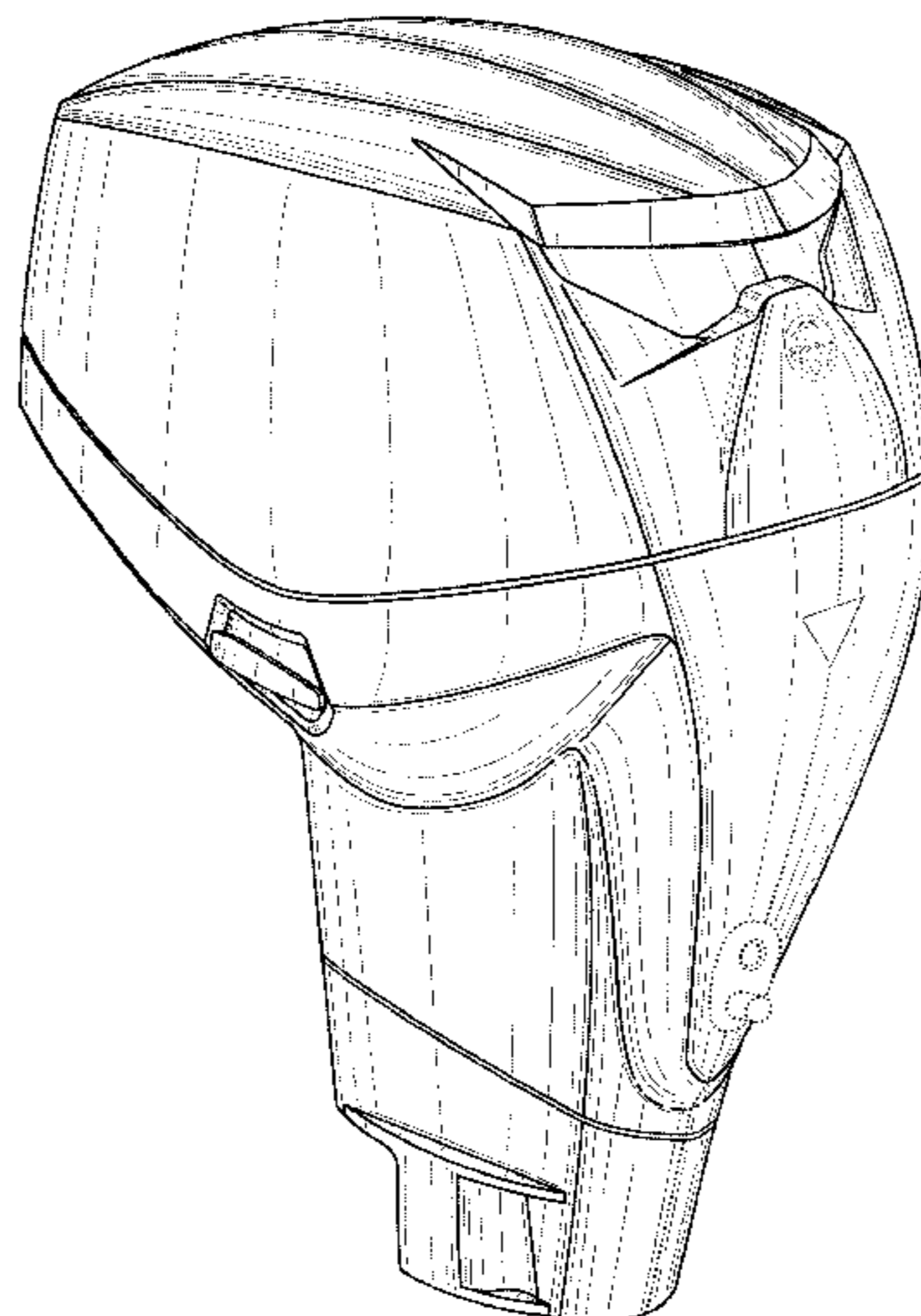
FIG. 10 is a rear view of FIG. 7;

FIG. 11 is a left side view of FIG. 7, the right side view being a mirror image; and,

FIG. 12 is a top view of FIG. 7.

Where included, broken lines showing environment or structure are for illustrative purposes only and form no part of the claimed design.

1 Claim, 8 Drawing Sheets



http://www.mercurymarine.com/cgi-bin/mercprod/MercuryHome/Templates/DotComTemplate.jsp?BV__UseBV-Cookie=no&ParentID=null&page__id=643&ProdID=23246&Area=6%20-%2025%20hp&CurSpecPos=4&BV__SessionID=

[@@@@0551736409.1035904509@@@@&BV__EngineID=hadcfhklffejbedcfececfj.0](http://www.mercurymarine.com/cgi-bin/mercprod/MercuryHome/Templates/DotComTemplate.jsp?BV__UseBV-Cookie=no&ParentID=null&page__id=643&ProdID=23246&Area=6%20-%2025%20hp&CurSpecPos=4&BV__SessionID=@@@@0551736409.1035904509@@@@&BV__EngineID=hadcfhklffejbedcfececfj.0), Copyright 2002.

http://www.mercurymarine.com/cgi-bin/mercprod/MercuryHome/Templates/DotComTemplate.jsp?BV__UseBV-Cookie=no&ParentID=218&page__id=643&ProdID=23259&Area=2.5%20-%205%20hp&BV__SessionID=@@@@0551736409.1035904509@@@@&BV__EngineID=hadcfhklffejbedcfececfj.0, Copyright 2002.

http://www.mercurymarine.com/cgi-bin/mercprod/MercuryHome/Templates/DotComTemplate.jsp?BV__UseBV-Cookie=no&ParentID=null&page__id=643&ProdID=23259&Area=2.5%20-%205%20hp&CurSpecPos=2&BV__SessionID=@@@@0551736409.1035904509@@@@&BV__EngineID=hadcfhklffejbedcfececfj.0, Copyright 2002.

http://www.mercurymarine.com/cgi-bin/mercprod/MercuryHome/Templates/DotComTemplate.jsp?BV__UseBV-Cookie=no&ParentID=null&page__id=643&ProdID=23569&Area=Mid-Range%20FourStroke&BV__SessionID=@@@@0551736409.1035904509@@@@&BV__EngineID=hadcfhklffejbedcfececfj.0, Copyright 2002.

http://www.mercurymarine.com/cgi-bin/mercprod/MercuryHome/Templates/DotComTemplate.jsp?BV__UseBV-Cookie=no&ParentID=null&page__id=643&ProdID=23569&Area=Mid-Range%20FourStroke&CurSpecPos=6&BV__SessionID=@@@@0551736409.1035904509@@@@&BV__EngineID=hadcfhklffejbedcfececfj.0, Copyright 2002.

http://www.mercurymarine.com/cgi-bin/mercprod/MercuryHome/Templates/DotComTemplate.jsp?BV__UseBV-Cookie=no&ParentID=218&page__id=643&ProdID=23259&Area=2.5%20-%205%20hp&BV__SessionID=@@@@0551736409.1035904509@@@@&BV__EngineID=hadcfhklffejbedcfececfj.0, Copyright 2002.

http://www.mercurymarine.com/cgi-bin/mercprod/MercuryHome/Templates/DotComTemplate.jsp?BV__UseBV-Cookie=no&ParentID=null&page__id=643&ProdID=23259&Area=2.5%20-%205%20hp&CurSpecPos=2&BV__SessionID=@@@@0551736409.1035904509@@@@&BV__EngineID=hadcfhklffejbedcfececfj.0, Copyright 2002.

http://www.mercurymarine.com/cgi-bin/mercprod/MercuryHome/Templates/DotComTemplate.jsp?BV__UseBV-Cookie=no&ParentID=null&page__id=648&ProdID=23685&Area=Performance%20Outboards&CurSpecPos=4&BV__SessionID=@@@@0551736409.1035904509@@@@&BV__EngineID=hadcfhklffejbedcfececfj.0, Copyright 2002.

http://www.mercurymarine.com/cgi-bin/mercprod/MercuryHome/Templates/DotComTemplate.jsp?BV__UseBV-Cookie=no&ParentID=202&page__id=648&ProdID=23705&Area=Race%20Outboards&BV__SessionID=@@@@0551736409.1035904509@@@@&BV__EngineID=hadcfhklffejbedcfececfj.0, Copyright 2002.

http://www.mercurymarine.com/cgi-bin/mercprod/MercuryHome/Templates/DotComTemplate.jsp?BV__UseBV-Cookie=no&ParentID=null&page__id=648&ProdID=23705&Area=Race%20Outboards&CurSpecPos=1&BV__SessionID=

[@@@@0551736409.1035904509@@@@&BV__EngineID=hadcfhklffejbedcfececfj.0](http://www.mercurymarine.com/cgi-bin/mercprod/MercuryHome/Templates/DotComTemplate.jsp?BV__UseBV-Cookie=no&ParentID=null&page__id=648&ProdID=23705&Area=Race%20Outboards&CurSpecPos=1&BV__SessionID=@@@@0551736409.1035904509@@@@&BV__EngineID=hadcfhklffejbedcfececfj.0), Copyright 2002.

<http://www.yamaha-motor.com/products/subcatinfo.asp?lid=5&lc=otb&cid=19&scid=1&year=2003&cat=Four+Stroke+Series&scat=High+Power>, Copyright 1996-2002.

<http://www.yamaha-motor.com/products/subcatinfo.asp?lid=5&lc=otb&cid=19&scid=2&year=2003&cat=Four+Stroke+Series&scat=Midrange>, Copyright 1996-2002.

<http://www.yamaha-motor.com/products/subcatinfo.asp?lid=5&lc=otb&cid=19&scid=3&year=2003&cat=Four+Stroke+Series&scat=Jet+Drive>, Copyright 1996-2002.

<http://www.yamaha-motor.com/products/subcatinfo.asp?lid=5&lc=otb&cid=19&scid=4&year=2003&cat=Four+Stroke+Series&scat=High+Thrust>, Copyright 1996-2002.

<http://www.yamaha-motor.com/products/subcatinfo.asp?lid=5&lc=otb&cid=19&scid=5&year=2003&cat=Four+Stroke+Series&scat=Portable>, Copyright 1996-2002.

<http://www.yamaha-motor.com/products/catinfo.asp?lid=5&lc=otb&cid=11&year=2003&cat=HPDI+Series>, Copyright 1996-2002.

<http://www.yamaha-motor.com/products/subcatinfo.asp?lid=5&lc=otb&cid=18&scid=7&year=2003&cat=V+MAX+Series&scat=HPDI>, Copyright 1996-2002.

<http://www.yamaha-motor.com/products/subcatinfo.asp?lid=5&lc=otb&cid=18&scid=6&year=2003&cat=V+MAX+Series&scat=3%20E1L+Big+Block>, Copyright 1996-2002.

<http://www.yamaha-motor.com/products/subcatinfo.asp?lid=5&lc=otb&cid=18&scid=8&year=2003&cat=V+MAX+Series&scat=2%20E6L+OX66+%20F+Carb>, Copyright 1996-2002.

<http://www.yamaha-motor.com/products/subcatinfo.asp?lid=5&lc=otb&cid=20&scid=12&year=2003&cat=Two+Stroke+Series&scat=OX66+Saltwater+Series+II>, Copyright 1996-2002.

<http://www.yamaha-motor.com/products/subcatinfo.asp?lid=5&lc=otb&cid=20&scid=9&year=2003&cat=Two+Stroke+Series&scat=High+Power>, Copyright 1996-2002.

<http://www.yamaha-motor.com/products/subcatinfo.asp?lid=5&lc=otb&cid=20&scid=10&year=2003&cat=Two+Stroke+Series&scat=Midrange>, Copyright 1996-2002.

<http://www.yamaha-motor.com/products/subcatinfo.asp?lid=5&lc=otb&cid=20&scid=11&year=2003&cat=Two+Stroke+Series&scat=Portable>, Copyright 1996-2002.

<http://www.suzukimarine.com/4strokes/index.html>, Copyright 1996-2002.

<http://www.suzukimarine.com/2strokes/index.html>, Copyright 1996-2002.

<http://www.suzukimarine.com/sr00/info/frshore.htm>, Copyright 1996-2002.

<http://www.suzukimarine.com/sr00/info/mid.htm>, Copyright 1996-2002.

<http://www.suzukimarine.com/sr00/info/mid4s.htm>, Copyright 1996-2002.

<http://www.suzukimarine.com/sr00/info/port.htm>, Copyright 1996-2002.

<http://www.suzukimarine.com/sr00/info/frperf.htm>, Copyright 1996-2002.

US D474,784 S

Page 4

<http://www.suzukimarine.com/sr97/comp.htm>,
1996/97.

Copyright

<http://www.suzukimarine.com/sr97/port.htm>,
1996/97.

Copyright

<http://www.suzukimarine.com/sr97/fstrok.htm>, Copyright
1996/97.

* cited by examiner

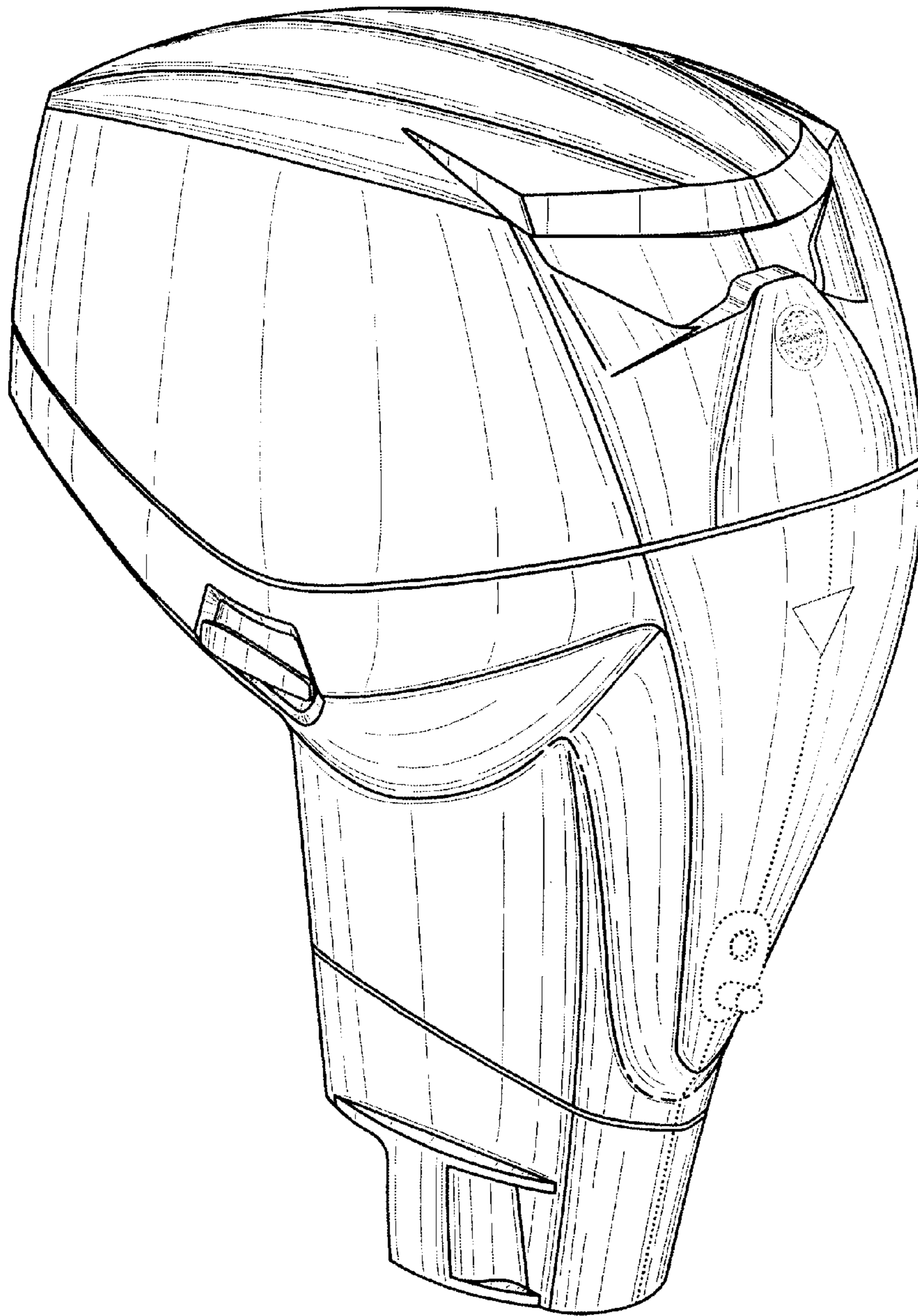


FIG. 1

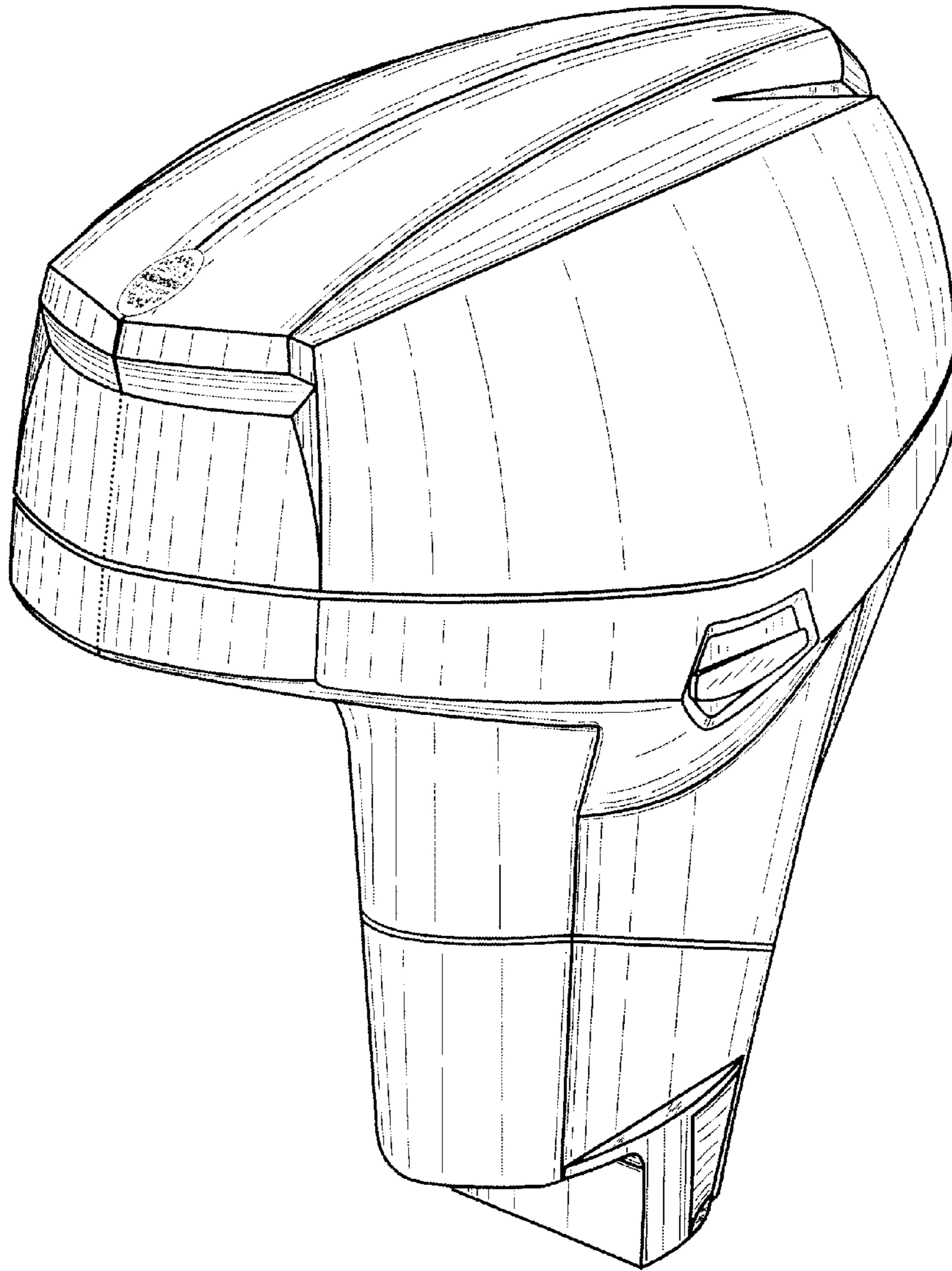


FIG. 2

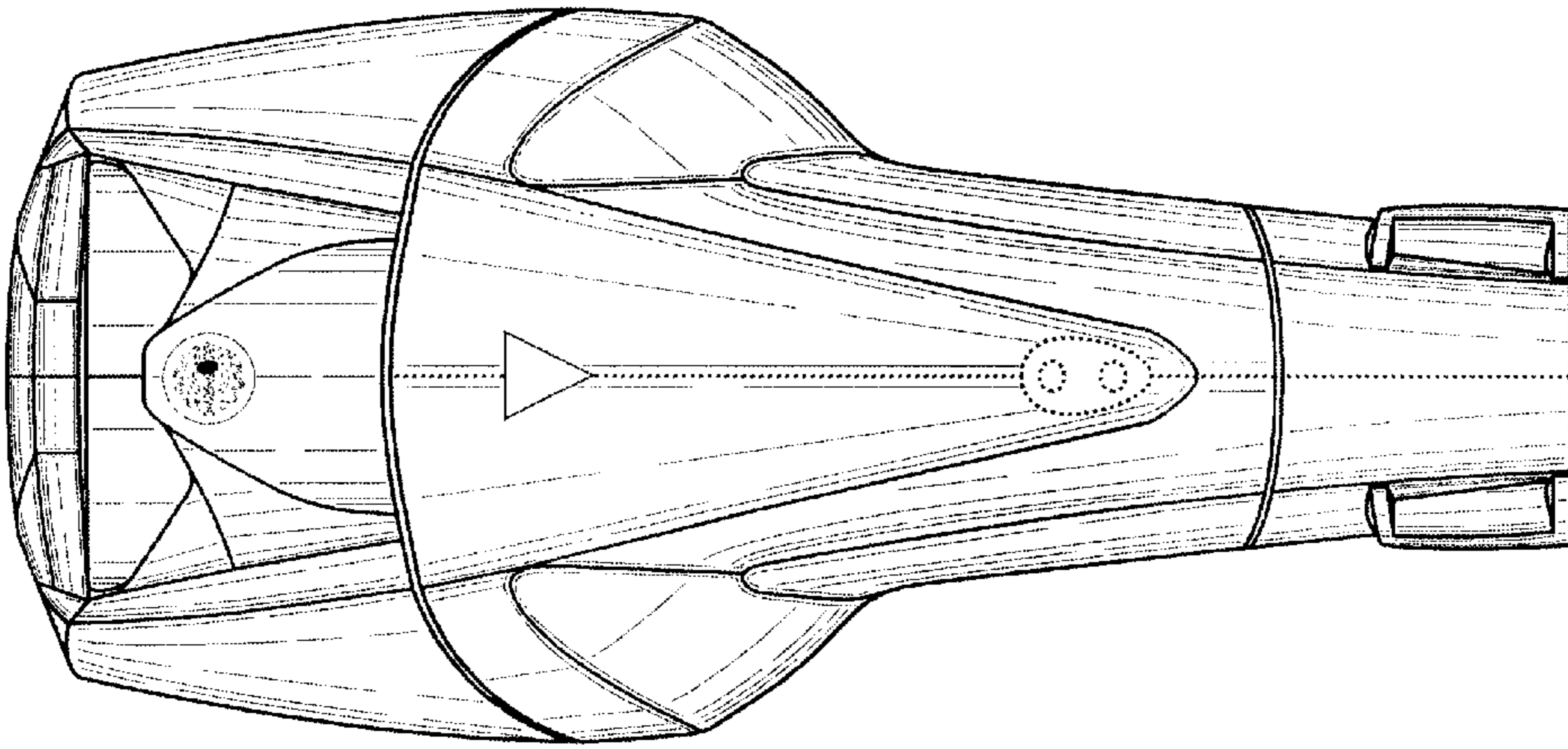


FIG. 4

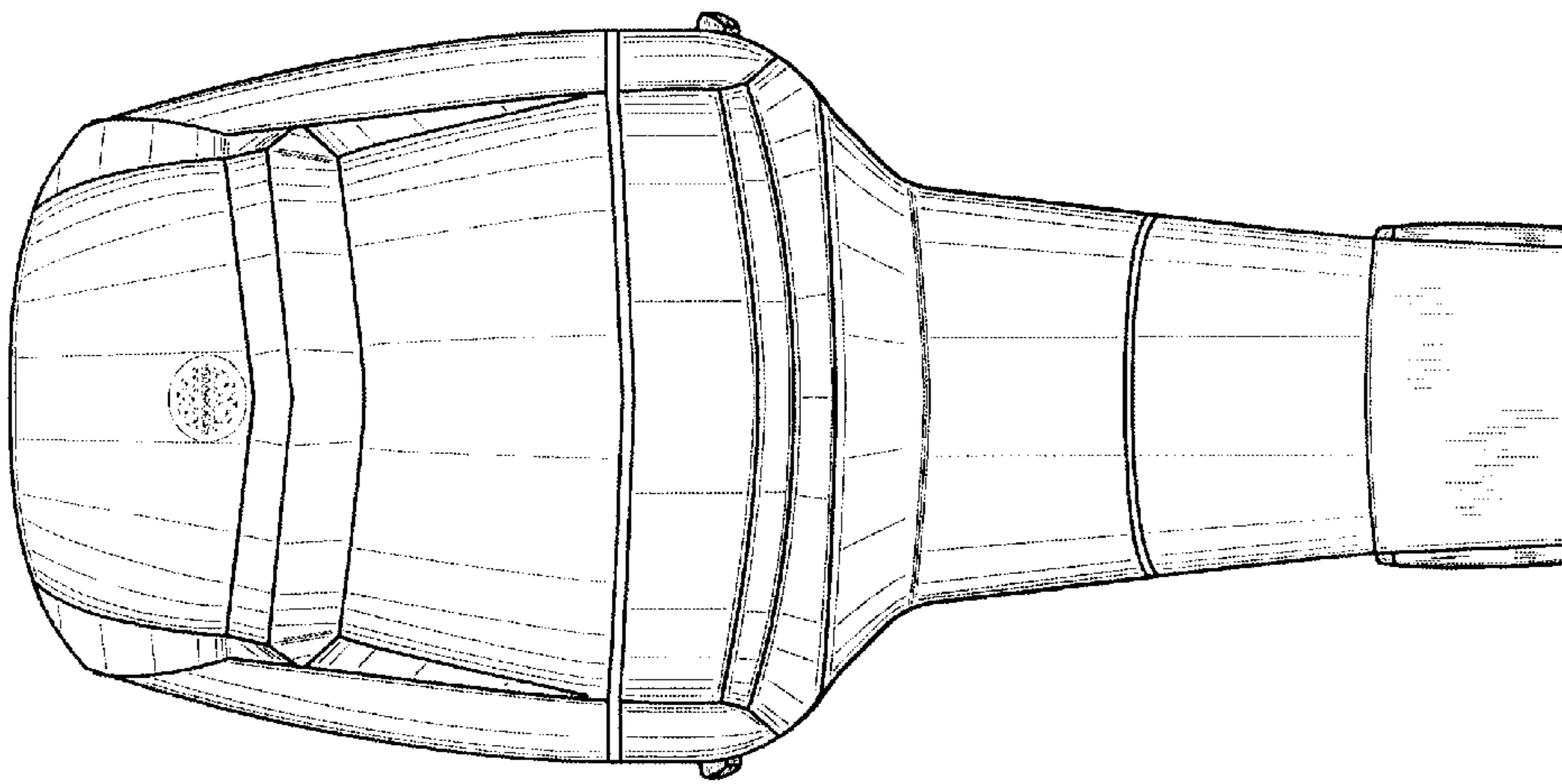


FIG. 3

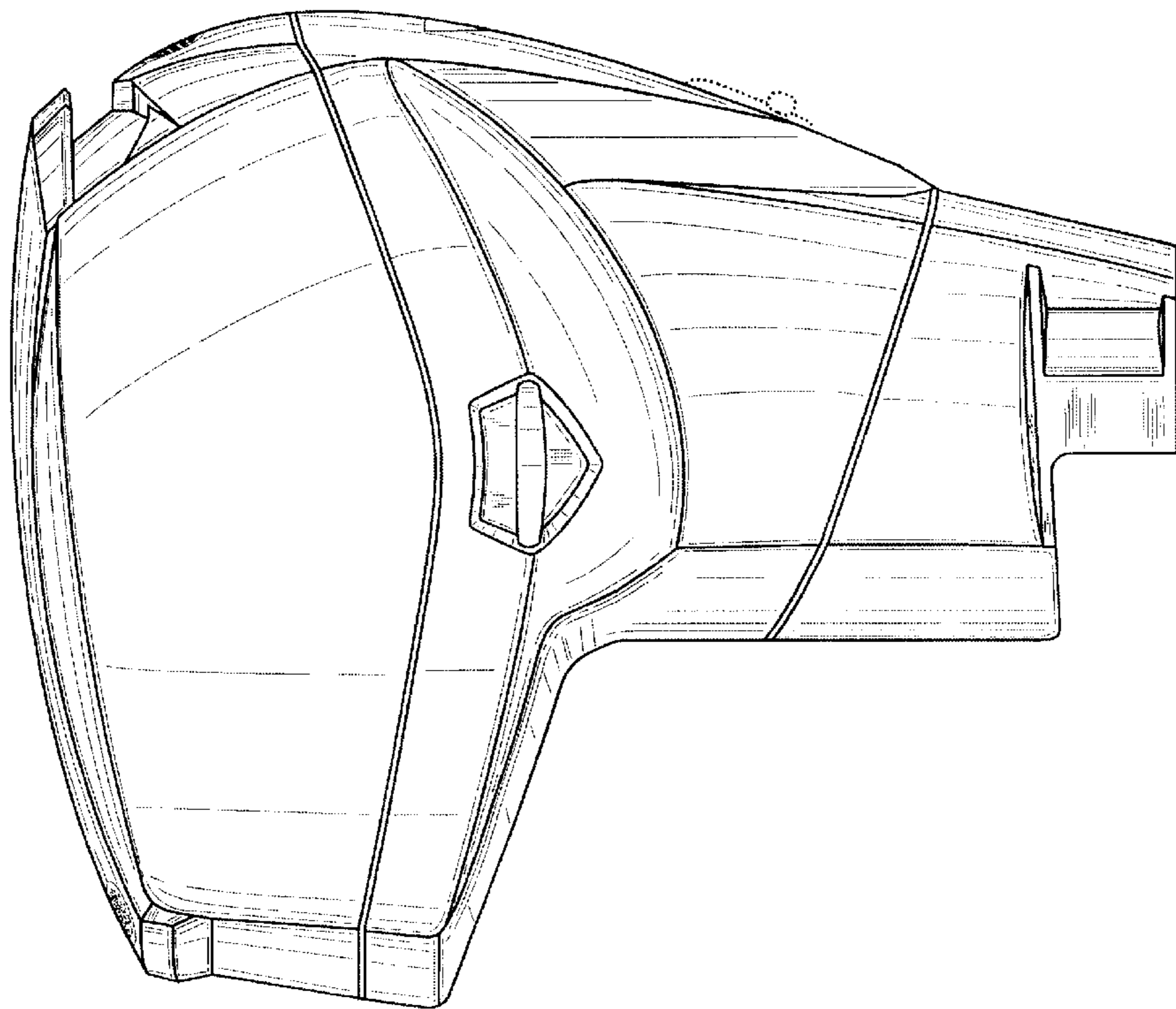


FIG. 5

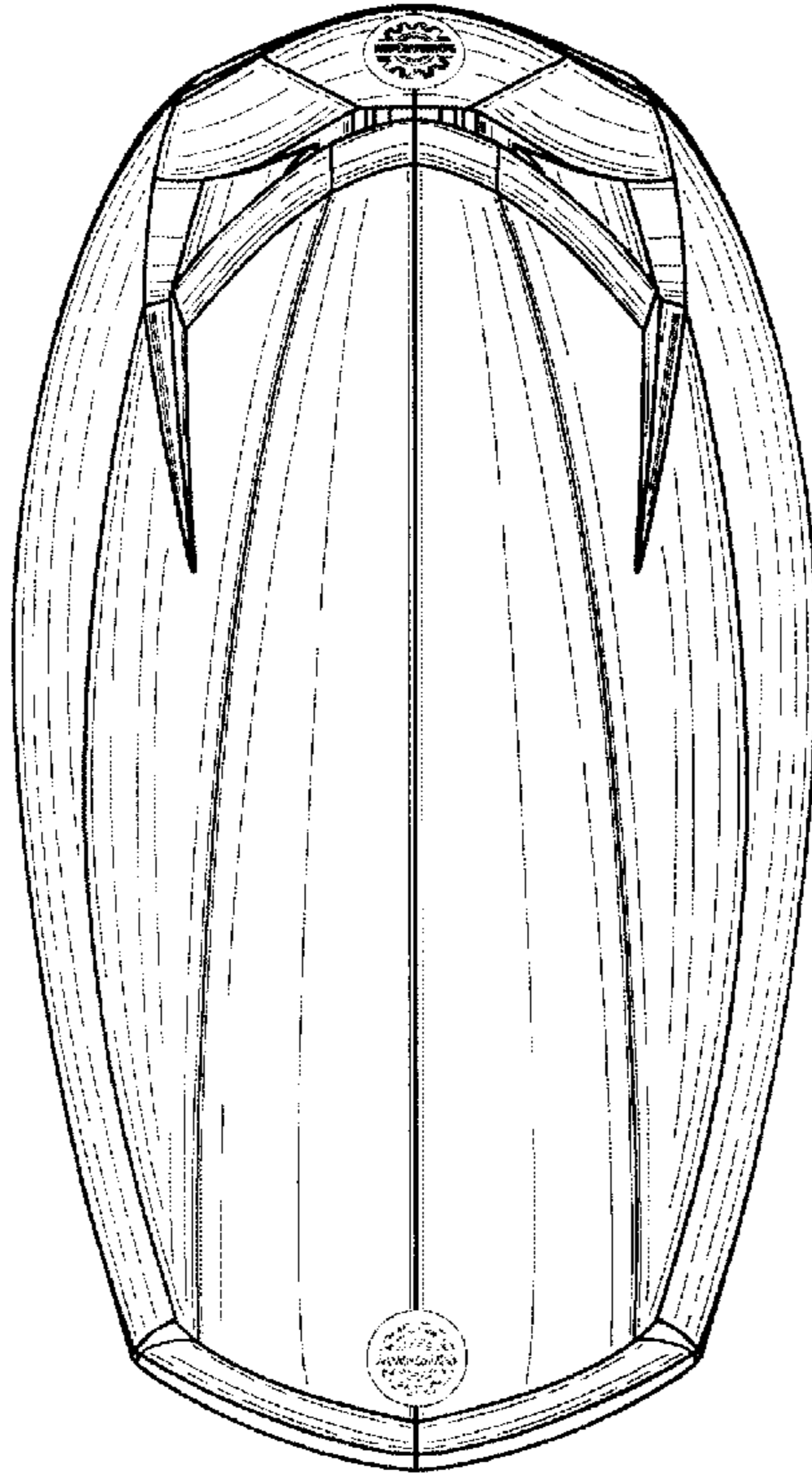


FIG. 6

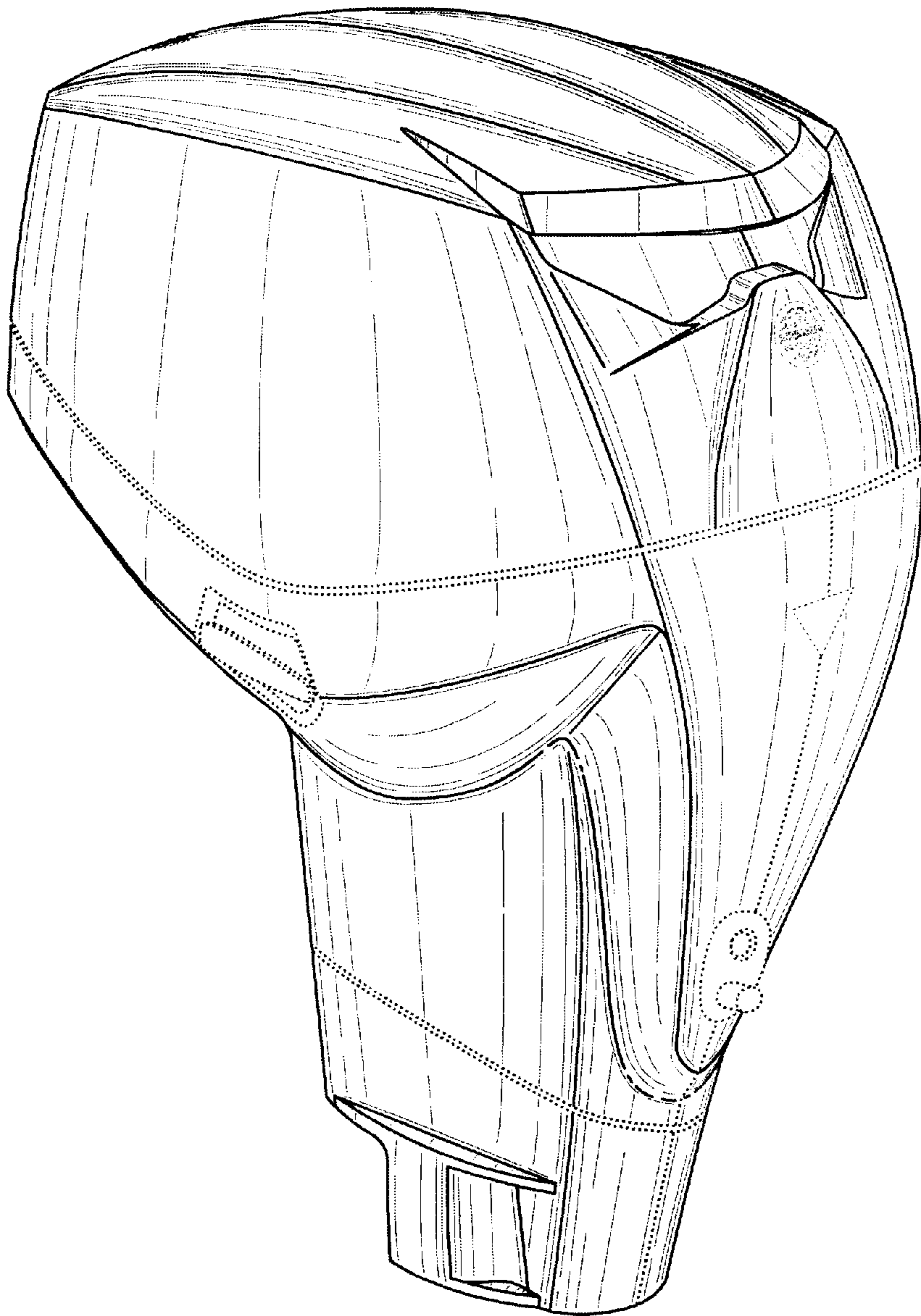


FIG. 7

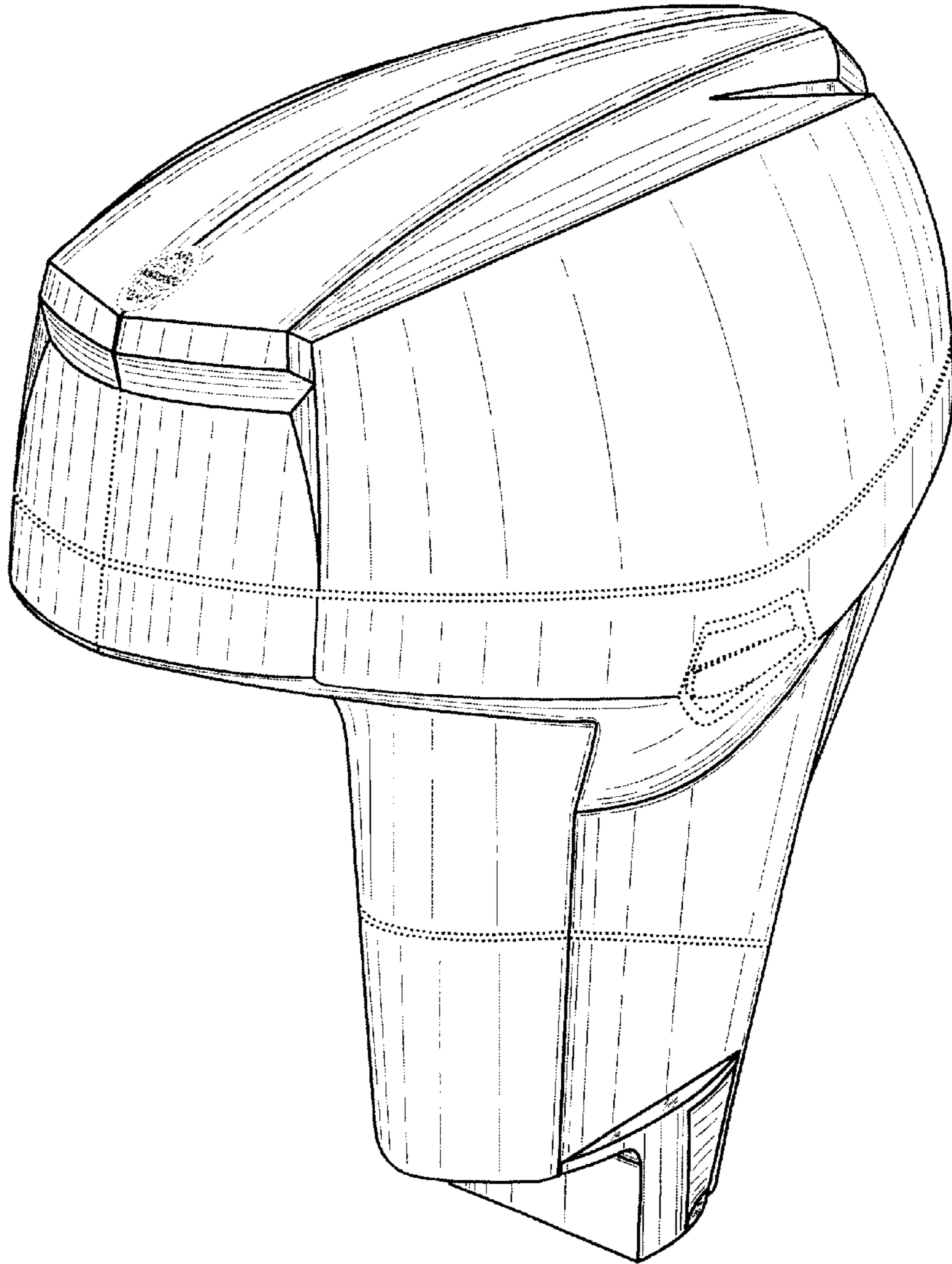


FIG. 8

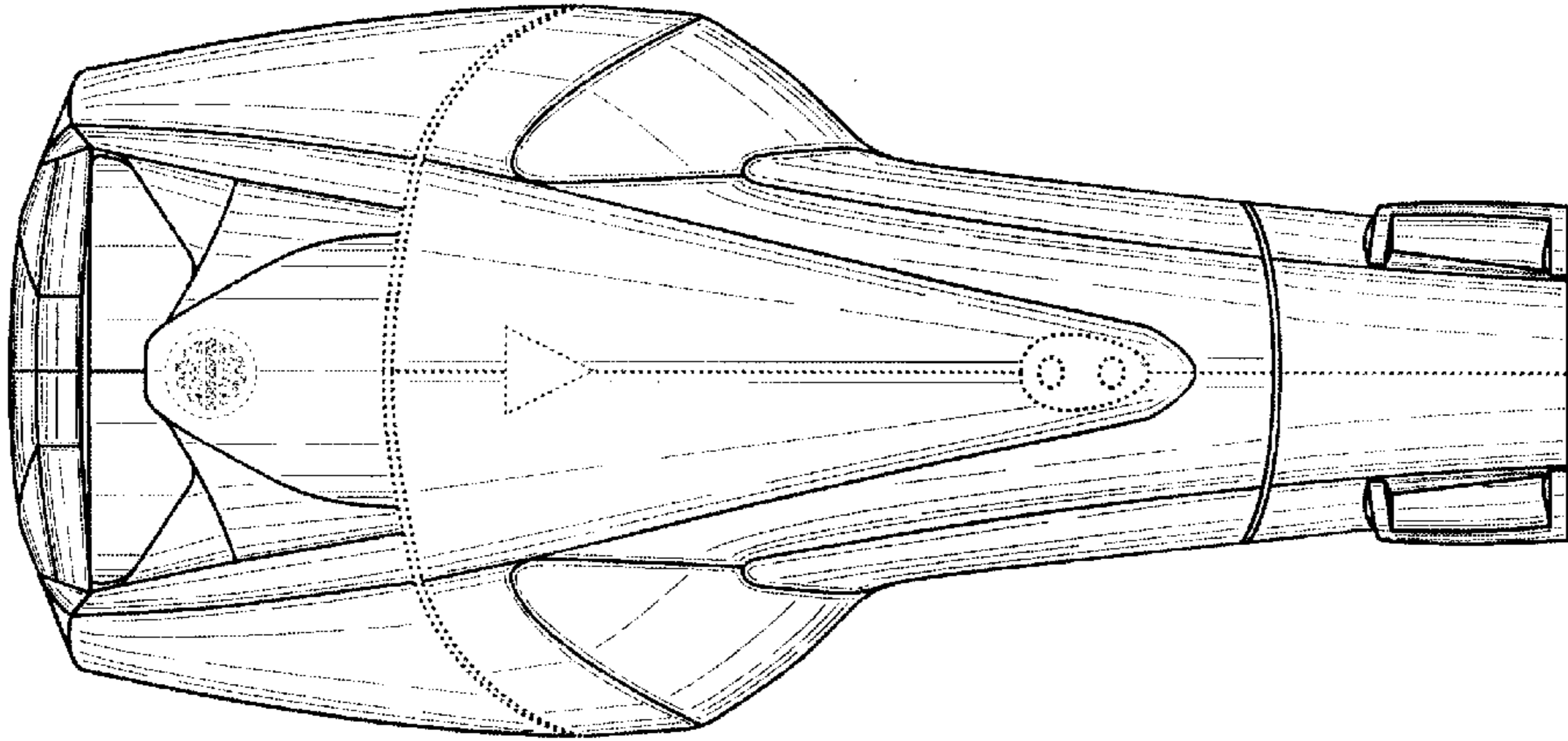


FIG. 10

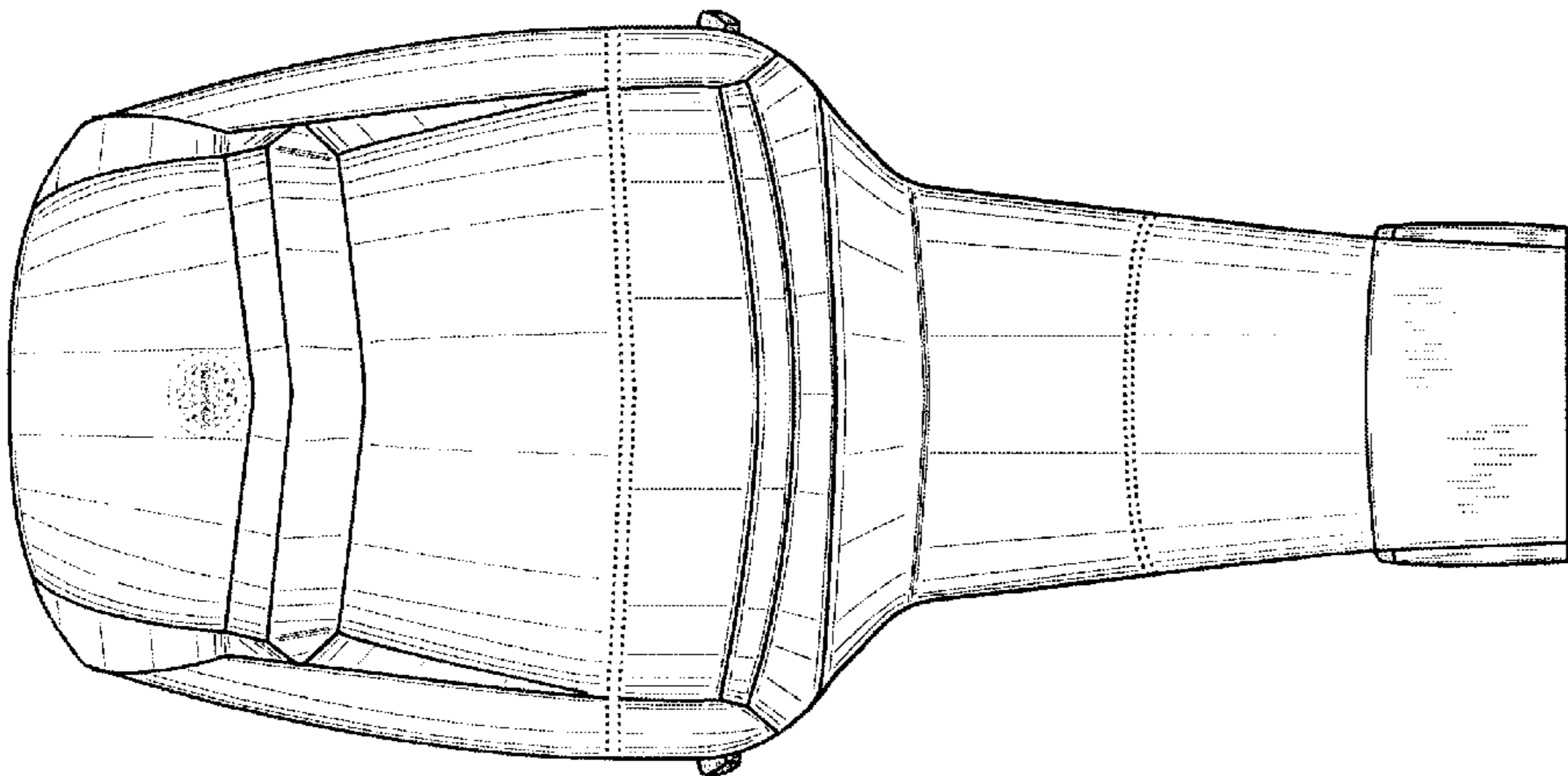


FIG. 9

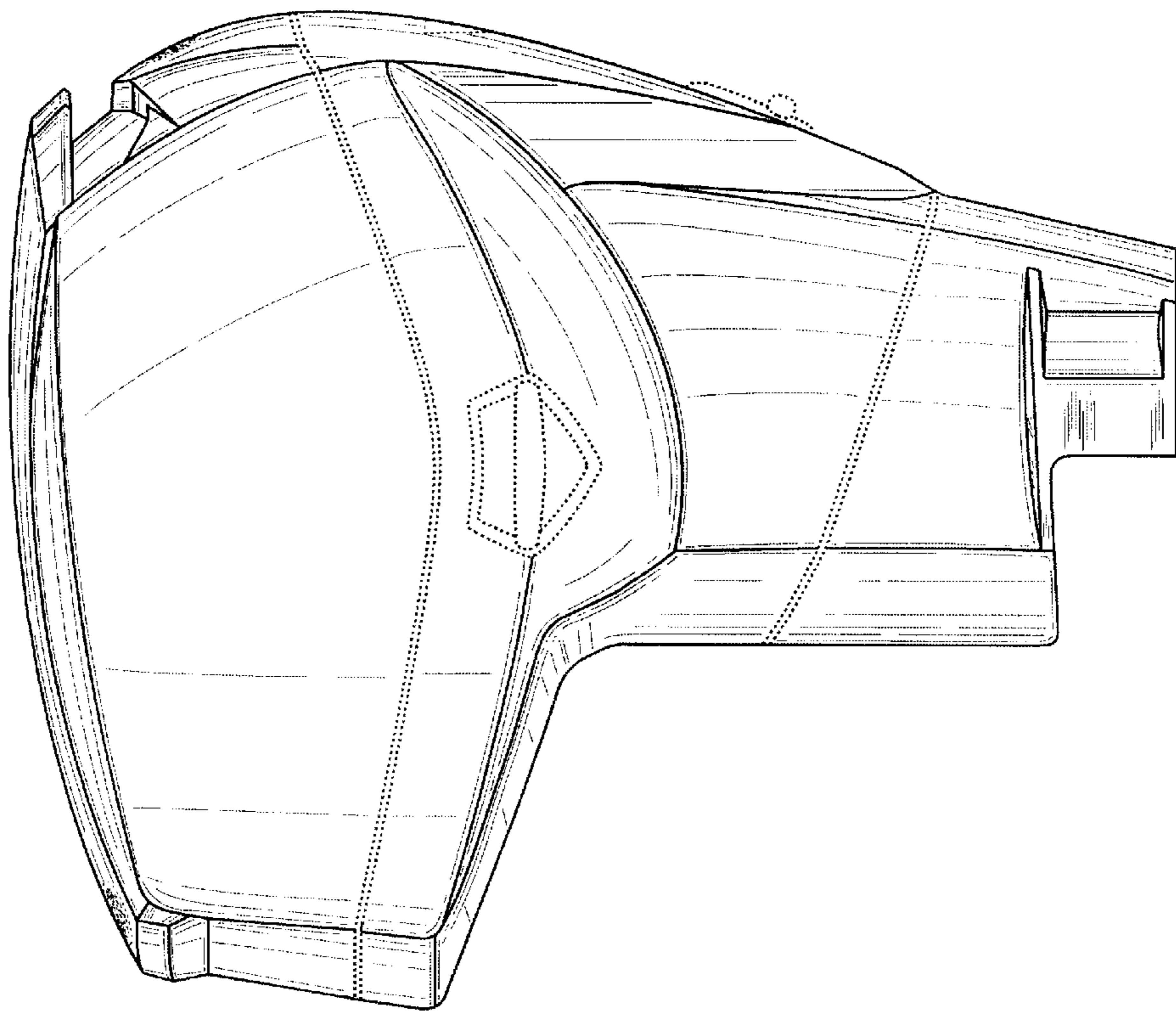


FIG. 11

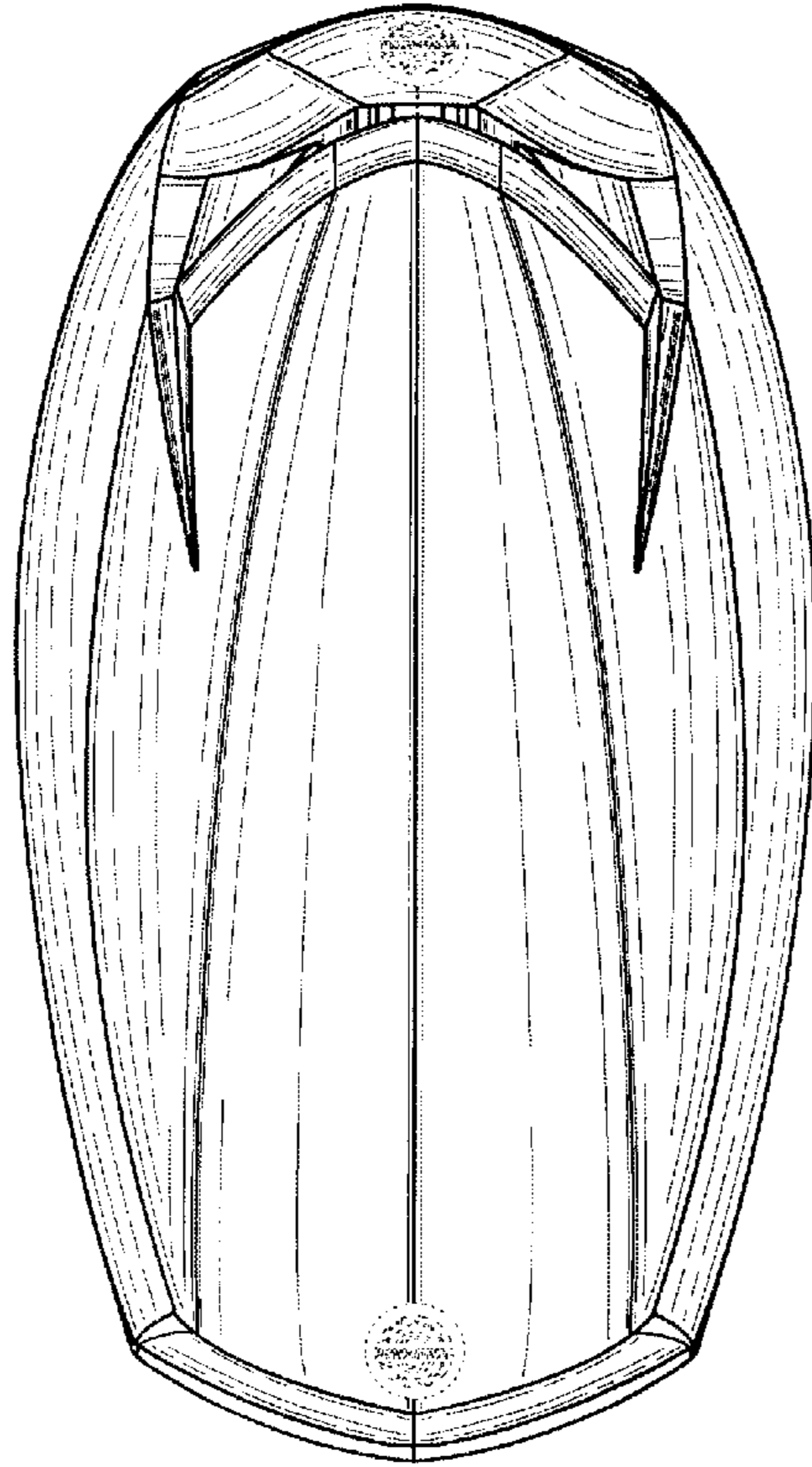


FIG. 12