



US00D474773S

(12) **United States Design Patent**  
**Kondo**

(10) **Patent No.:** **US D474,773 S**

(45) **Date of Patent:** **\*\* May 20, 2003**

(54) **INFORMATION RECORDING ELEMENT**

JP 1031205 2/1999

(75) Inventor: **Shinichi Kondo**, Tokyo (JP)

\* cited by examiner

(73) Assignee: **Sony Corporation**, Tokyo (JP)

*Primary Examiner*—Kay H. Chin

(\*\*) Term: **14 Years**

(74) *Attorney, Agent, or Firm*—Rader, Fishman & Grauer PLLC

(21) Appl. No.: **29/144,682**

(57) **CLAIM**

(22) Filed: **Jul. 10, 2001**

The ornamental design for an information recording element, as shown and described.

(51) **LOC (7) Cl.** ..... **14-02**

**DESCRIPTION**

(52) **U.S. Cl.** ..... **D14/435**; D13/182; D14/436

(58) **Field of Search** ..... D14/432, 433, D14/434, 435, 436, 437, 438, 439, 357, 242, 474; D13/162, 182, 137.3, 139.4; 336/200-212; 340/572.1; 242/338.3; 360/69, 132

FIG. 1 is a perspective view of an information recording element showing my new design;  
FIG. 2 is a front elevational view thereof;  
FIG. 3 is a rear elevational view thereof;  
FIG. 4 is a left side elevational view thereof;  
FIG. 5 is a right side elevational view thereof;  
FIG. 6 is a top plan view thereof; and  
FIG. 7 is a bottom plan view thereof.  
FIG. 8 is another embodiment of an information recording element showing my new design;  
FIG. 9 is a front elevational view thereof;  
FIG. 10 is a rear elevational view thereof;  
FIG. 11 is a left side elevational view thereof;  
FIG. 12 is a right side elevational view thereof;  
FIG. 13 is a top plan view thereof; and  
FIG. 14 is a bottom plan view thereof.

(56) **References Cited**

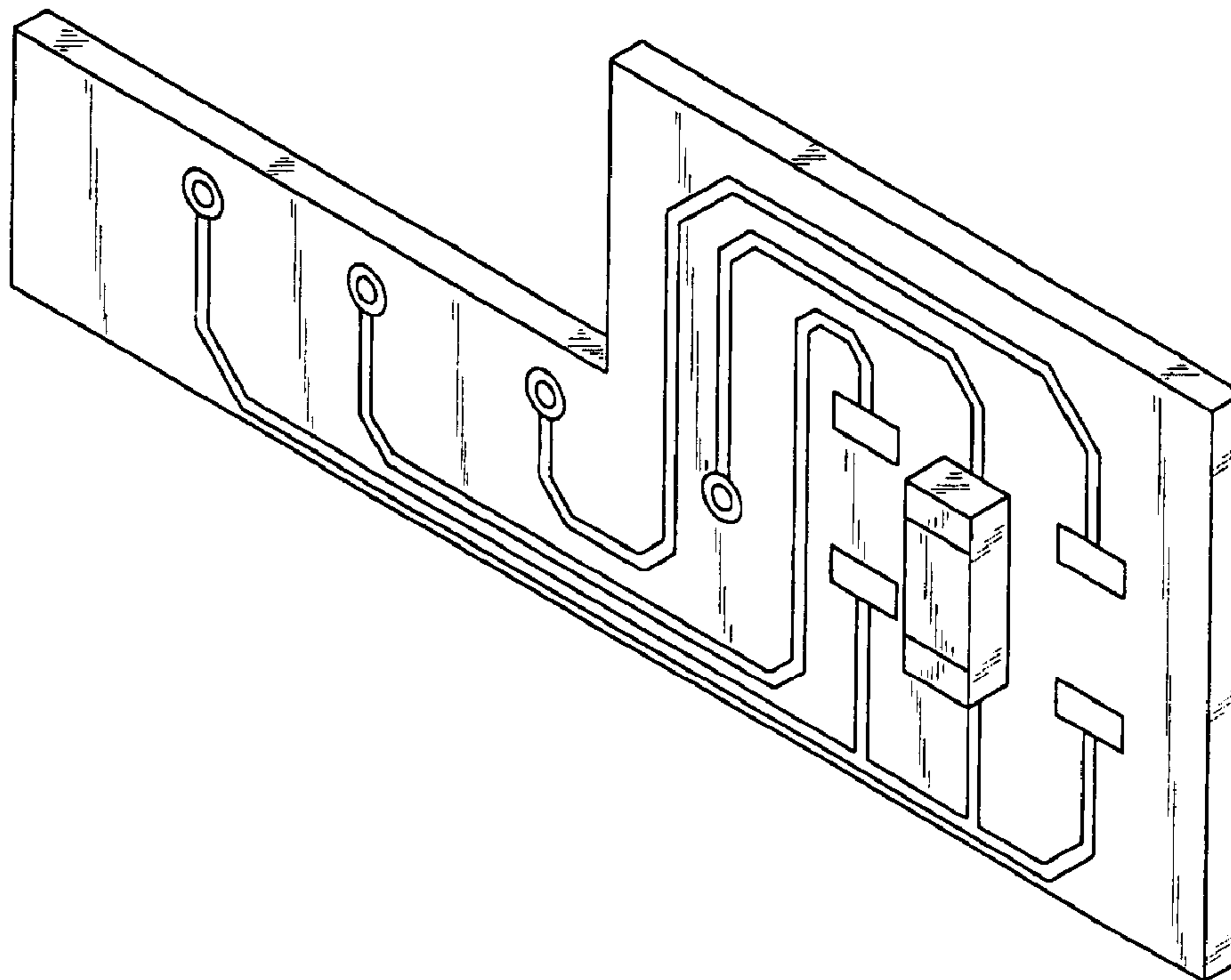
**U.S. PATENT DOCUMENTS**

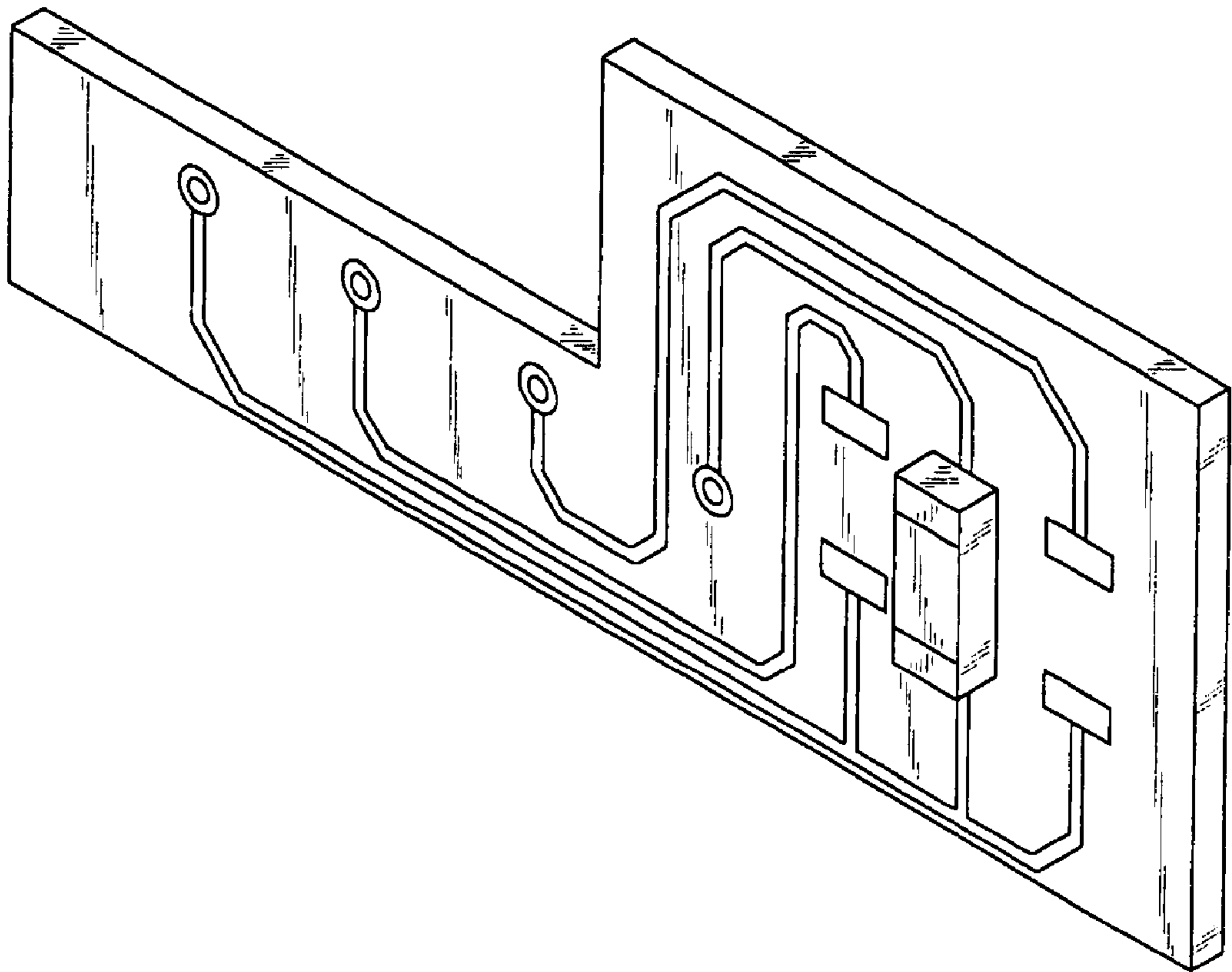
D299,139 S	*	12/1988	Toft et al. ....	D14/357
D431,035 S	*	9/2000	Lehtomaki ....	D14/242
D452,220 S	*	12/2001	Robson ....	D13/182
D460,456 S	*	7/2002	Shimoda et al. ....	D14/436
2002/0089405 A1	*	7/2002	Jitaru ....	336/200

**FOREIGN PATENT DOCUMENTS**

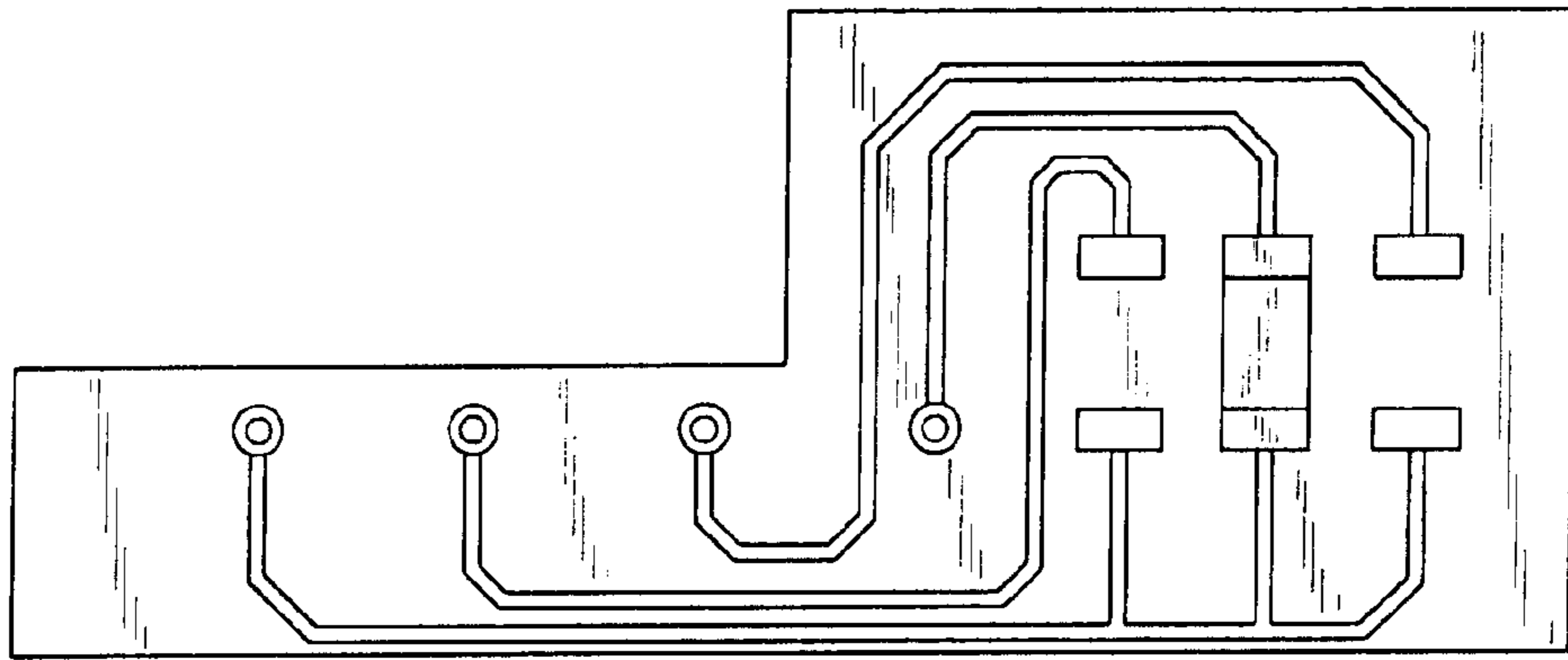
JP	1019834	8/1998
JP	1031204	2/1999

**1 Claim, 8 Drawing Sheets**

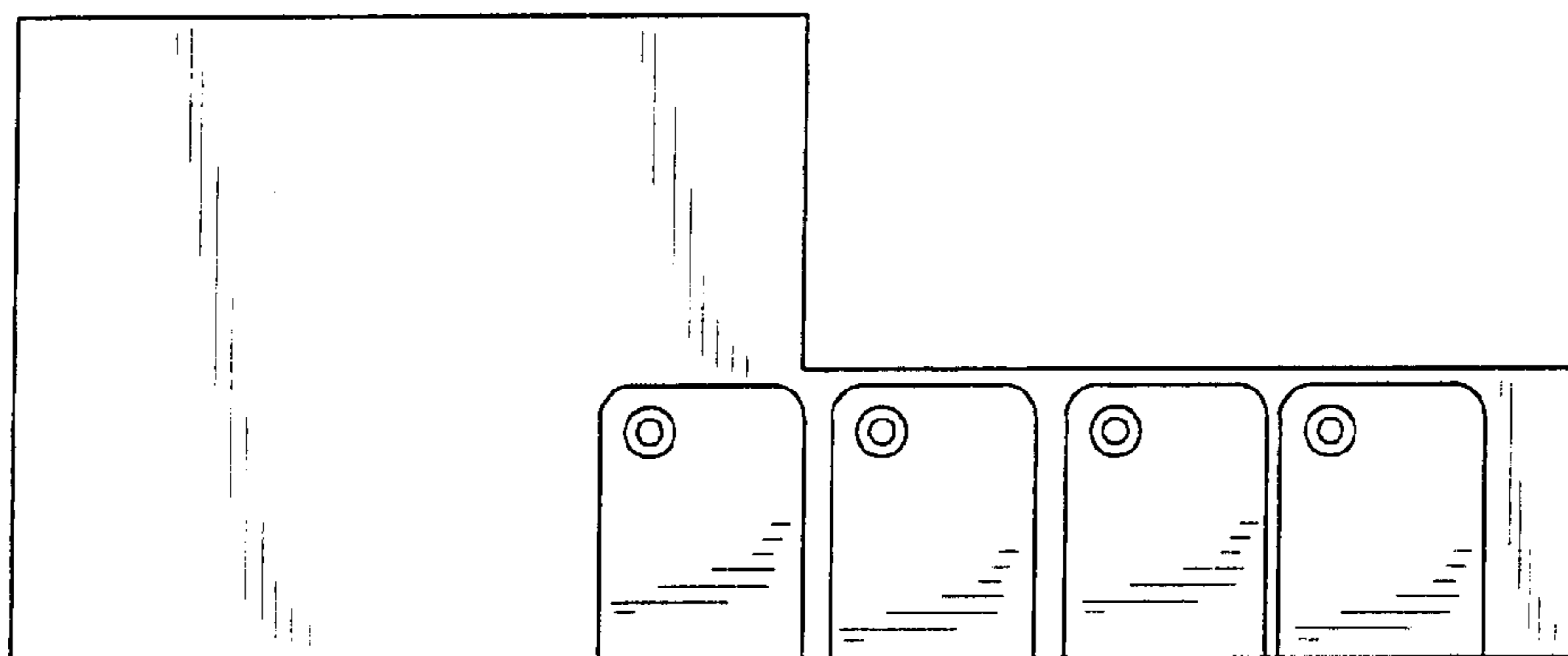




**Fig. 1**



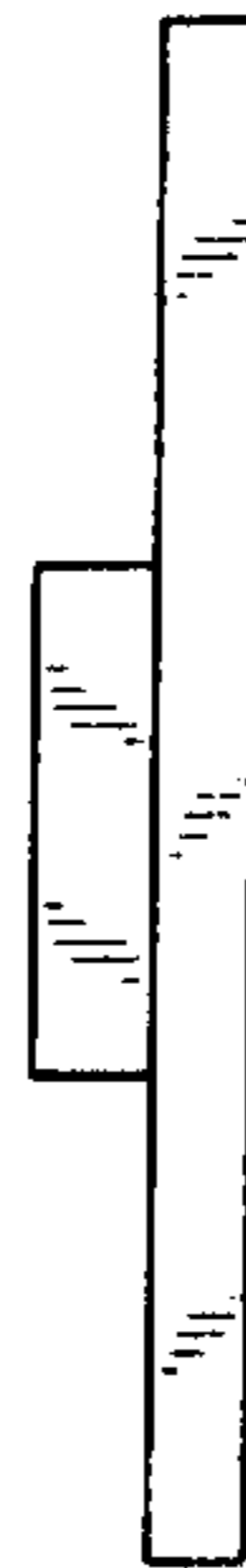
**Fig. 2**



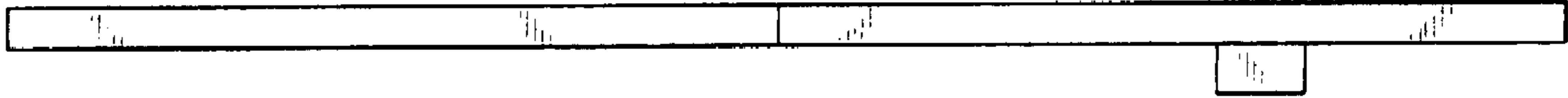
**Fig. 3**



**Fig. 4**



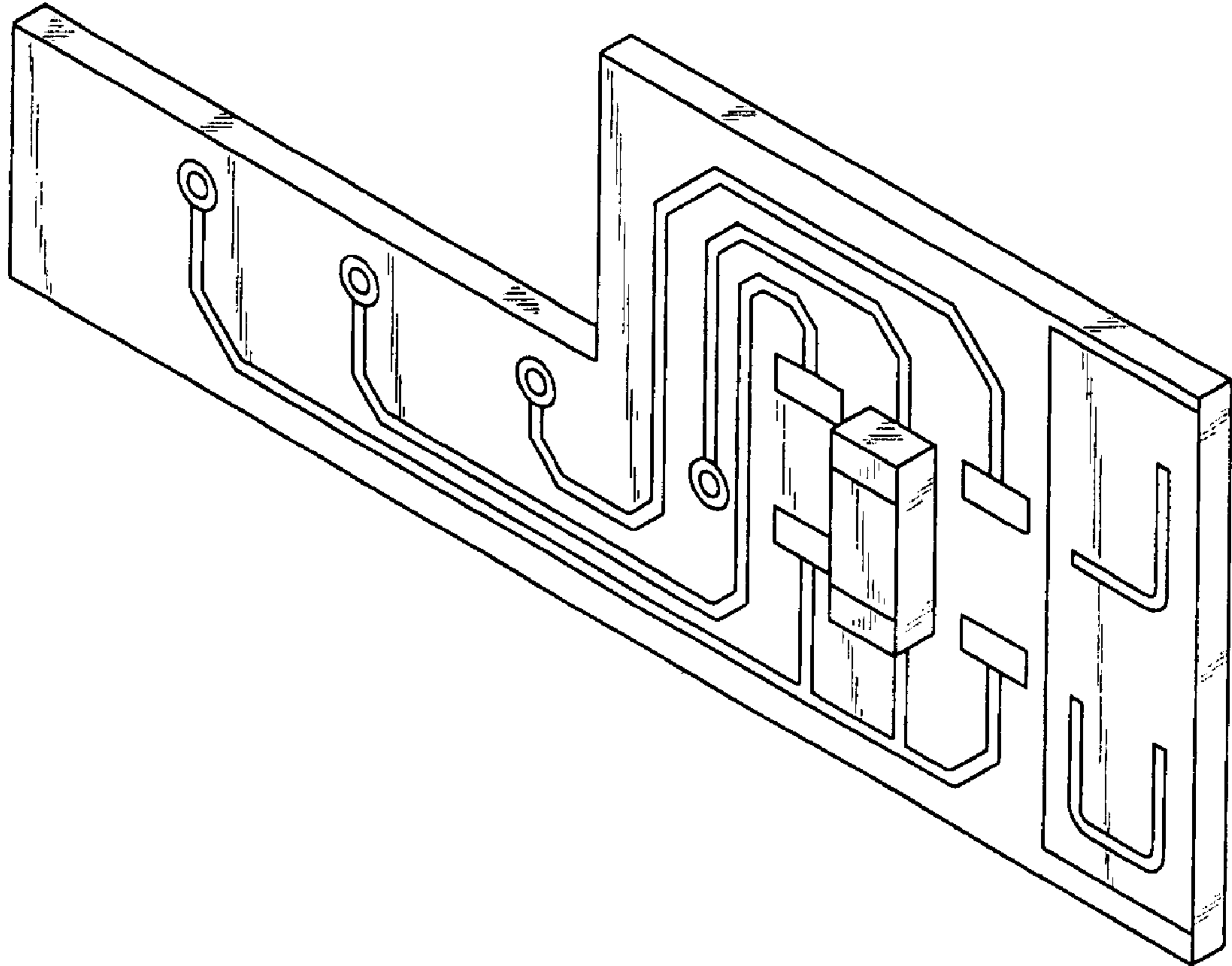
**Fig. 5**



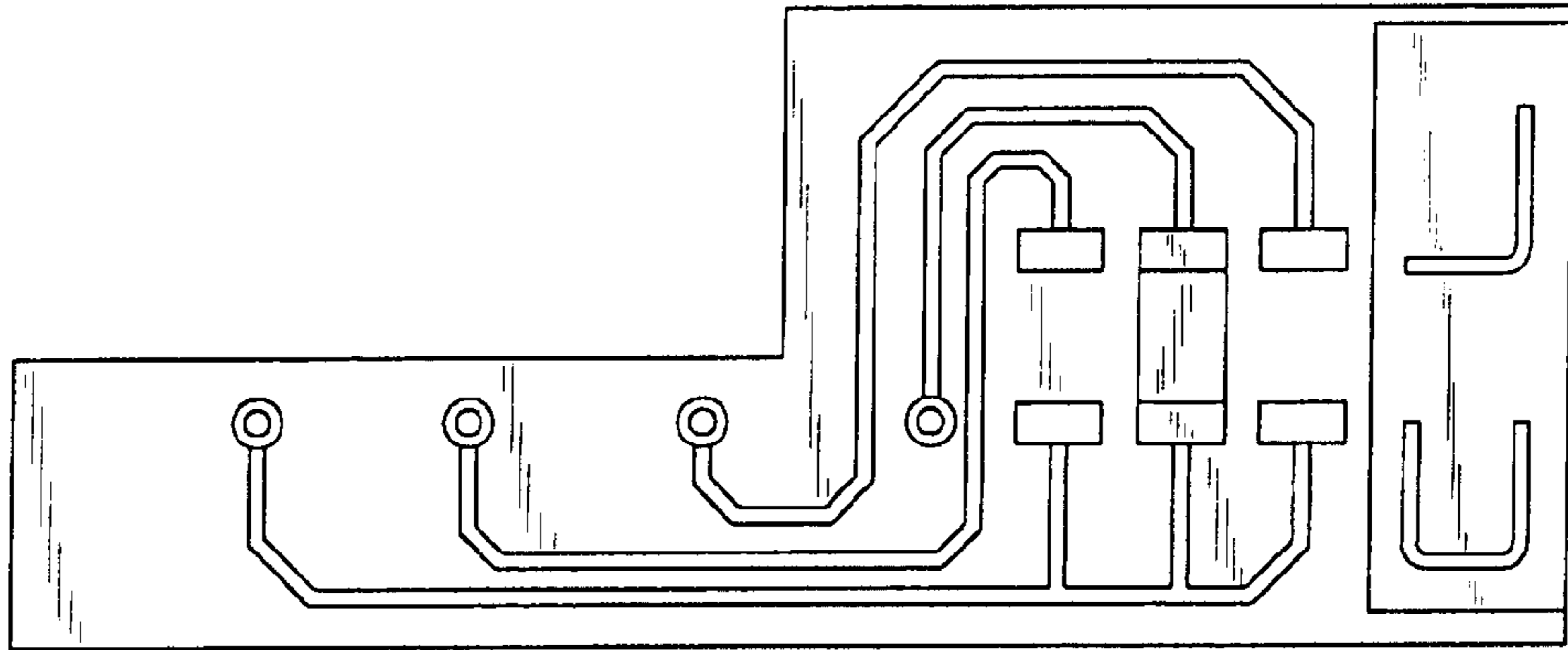
**Fig. 6**



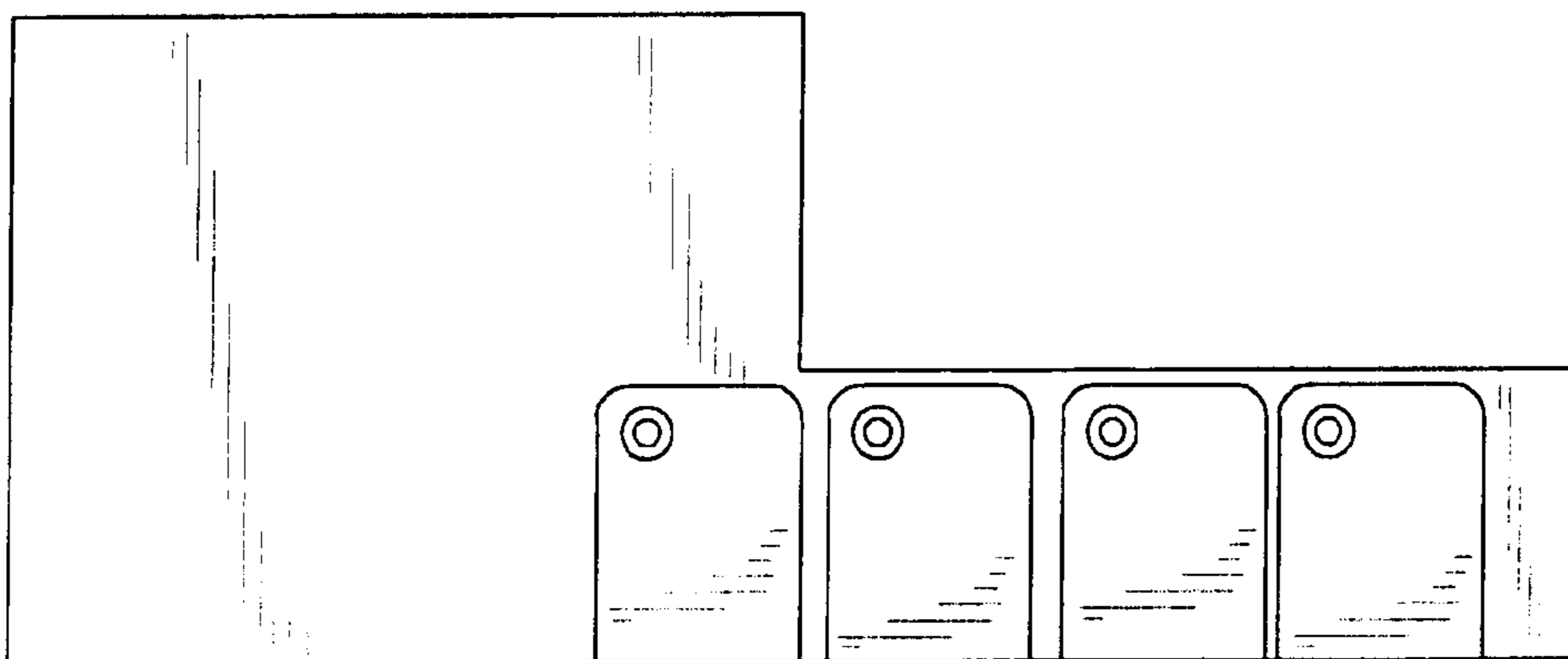
**Fig. 7**



**Fig. 8**



**Fig. 9**



**Fig. 10**



**Fig. 11**



**Fig. 12**





**Fig. 13**



**Fig. 14**