



US00D474772S

(12) **United States Design Patent**
Deguchi et al.

(10) **Patent No.:** **US D474,772 S**

(45) **Date of Patent:** **** May 20, 2003**

(54) **MEDIA CONVERTER**

(75) Inventors: **Masaru Deguchi**, Tokyo (JP); **Katsumi Kayasima**, Tokyo (JP); **Muneyoshi Mikuni**, Tokyo (JP)

(73) Assignee: **NEC Corporation**, Tokyo (JP)

(**) Term: **14 Years**

(21) Appl. No.: **29/164,441**

(22) Filed: **Jul. 25, 2002**

(30) **Foreign Application Priority Data**

Jan. 28, 2002 (JP) 2002-001813

(51) **LOC (7) Cl.** **14-02**

(52) **U.S. Cl.** **D14/433; D14/240; D13/133**

(58) **Field of Search** **D14/432, 433, D14/435-439, 240; 360/69; D13/133**

(56) **References Cited**

U.S. PATENT DOCUMENTS

D267,008 S * 11/1982 Hutcheson D14/240

D325,573 S * 4/1992 Glegg et al. D14/435
D398,913 S * 9/1998 Tseng D14/435
D449,835 S * 10/2001 Ohtani D14/436
D463,416 S * 9/2002 Tomino et al. D14/240
2002/0159182 A1 * 10/2002 Albrecht et al. 360/69

* cited by examiner

Primary Examiner—**Kay H. Chin**

(74) *Attorney, Agent, or Firm*—**Sughrue Mion, PLLC**

(57) **CLAIM**

The ornamental design for a media converter, as shown.

DESCRIPTION

FIG. 1 is a perspective view of the top, front and right side of a media converter showing our new design; FIG. 2 is a front elevational view thereof; FIG. 3 is a rear elevational view thereof; FIG. 4 is a left side elevational view thereof; FIG. 5 is a right side elevational view thereof; FIG. 6 is a top plan view thereof; and, FIG. 7 is a bottom plan view thereof.

1 Claim, 3 Drawing Sheets

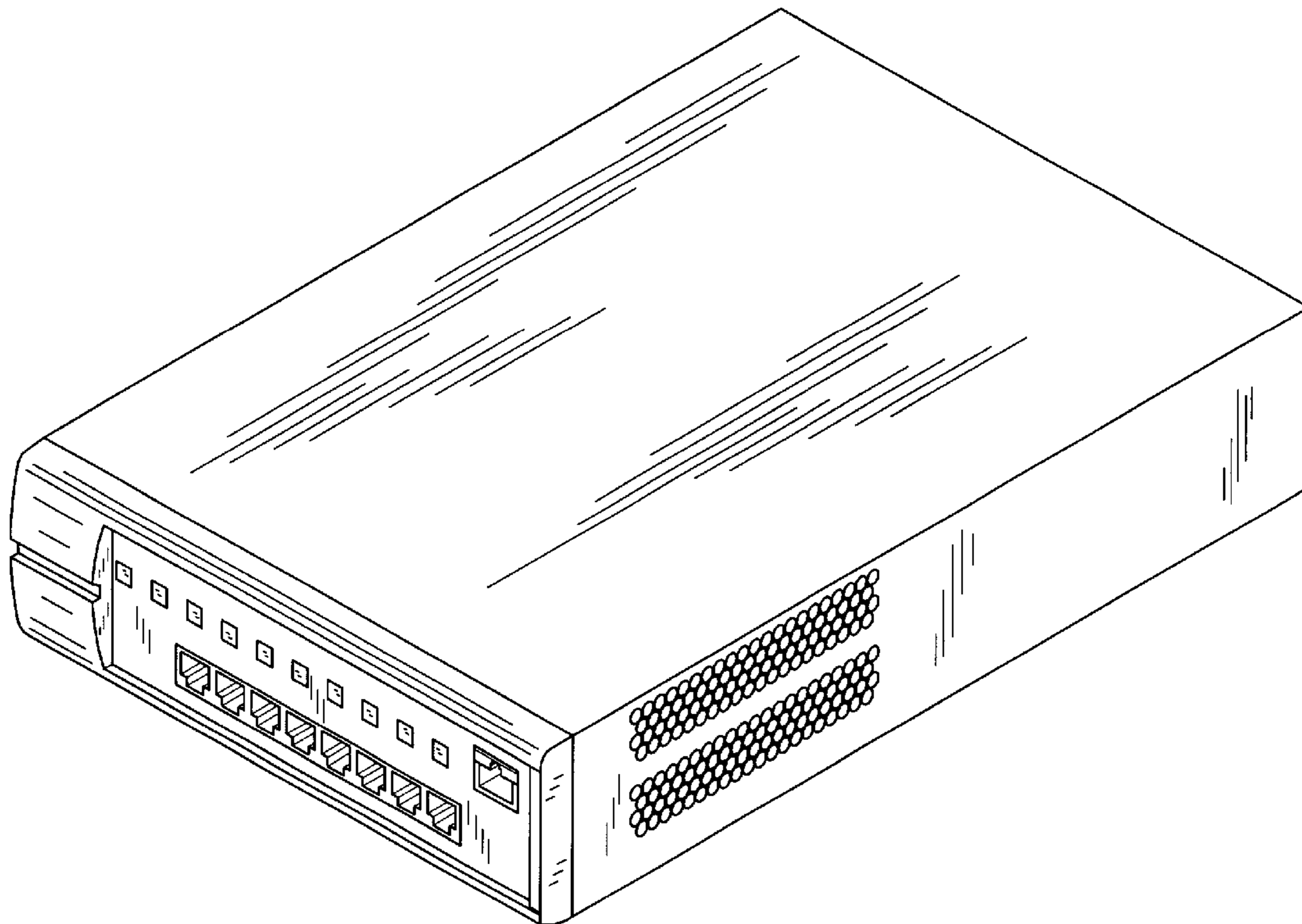


FIG. 1

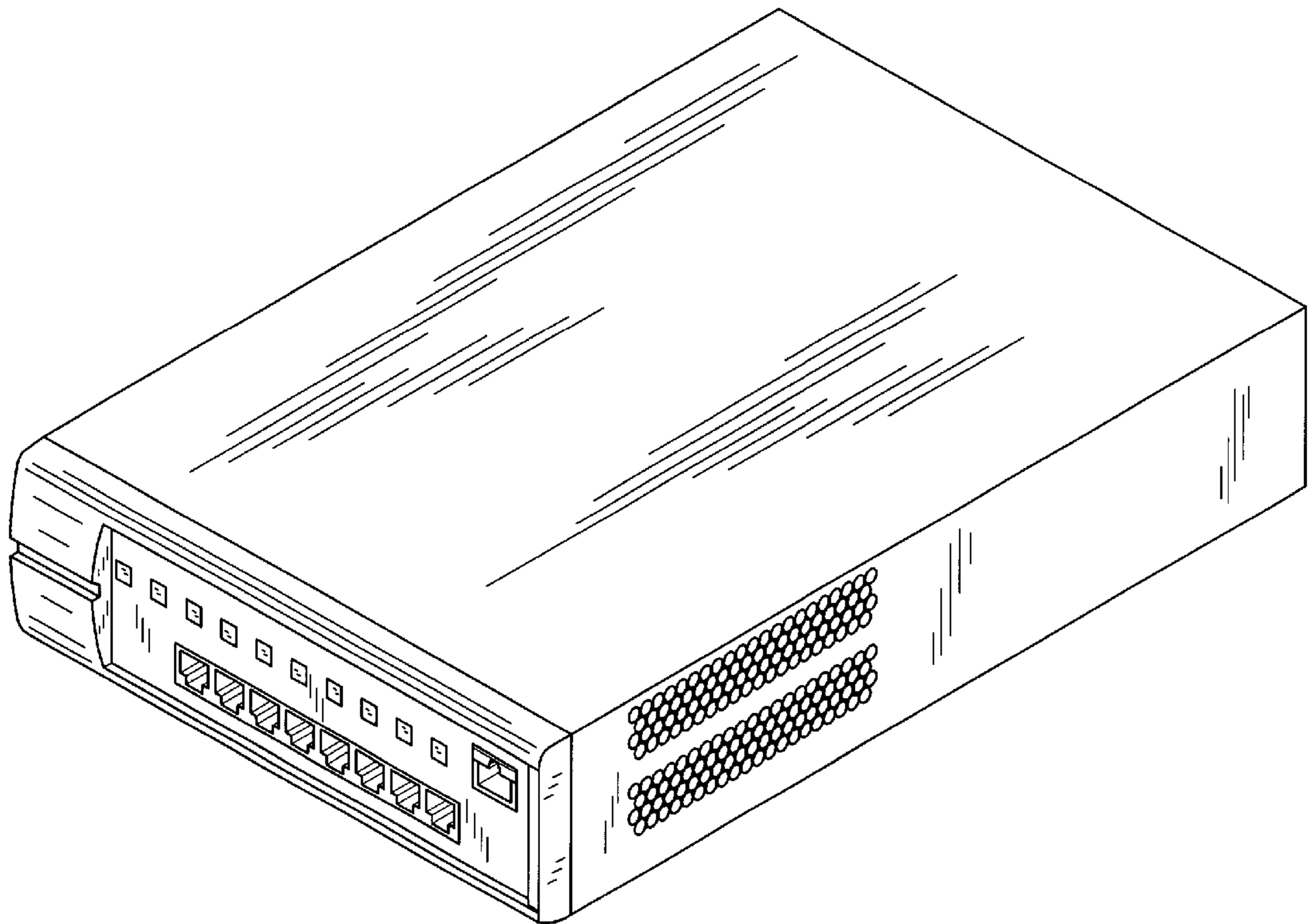


FIG. 2

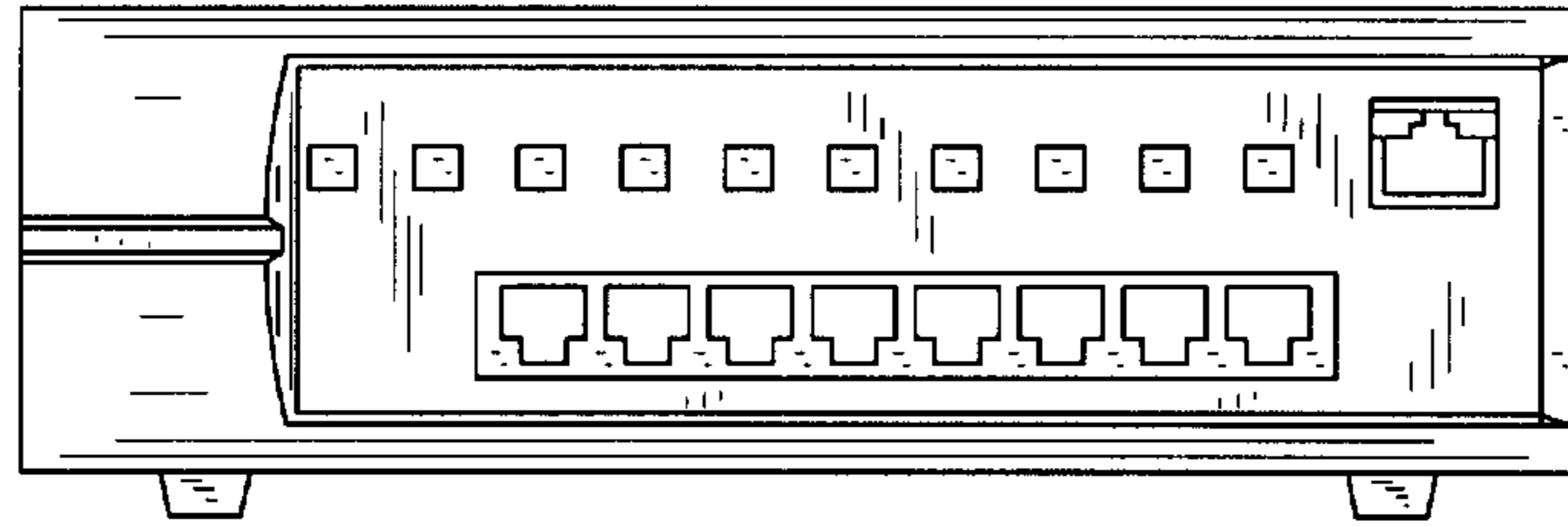


FIG. 3

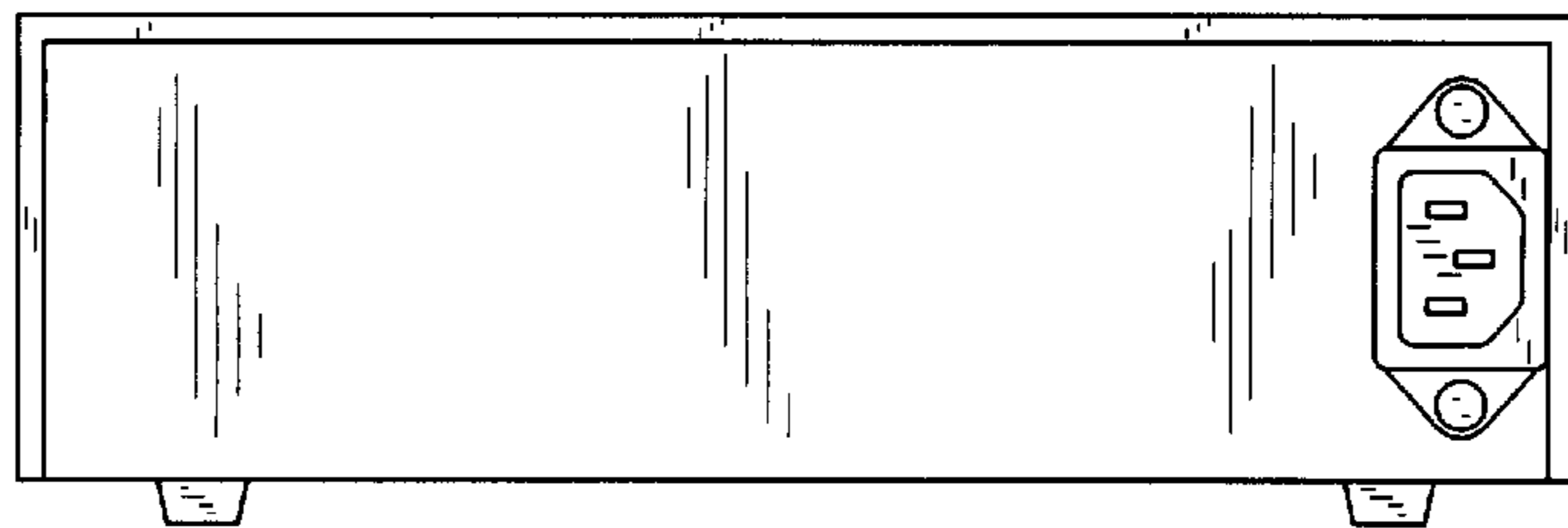


FIG. 4

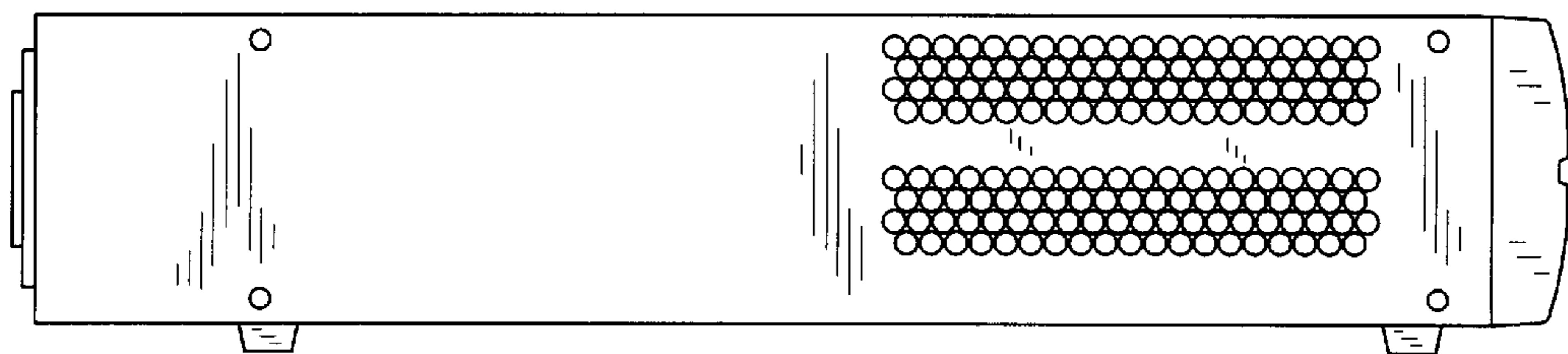


FIG. 5

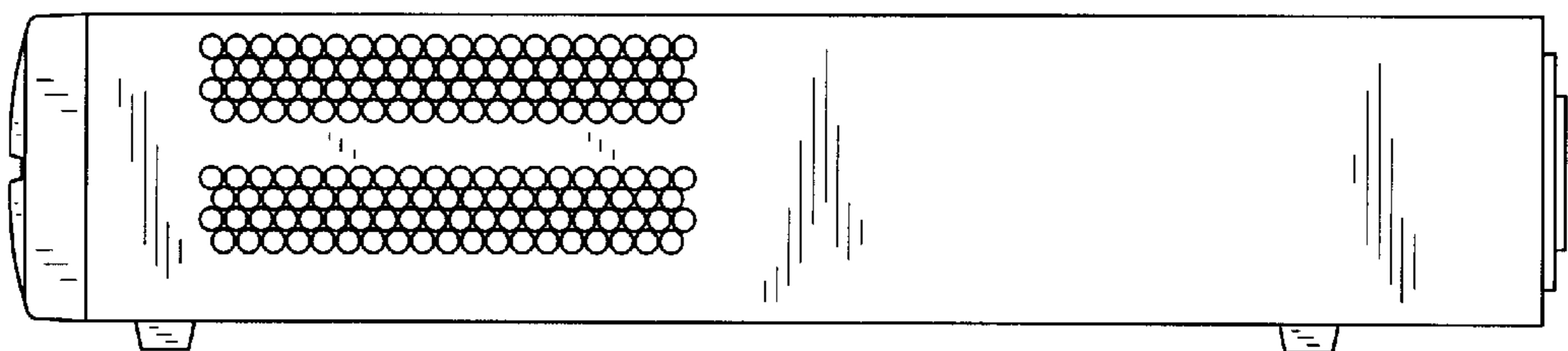


FIG. 6

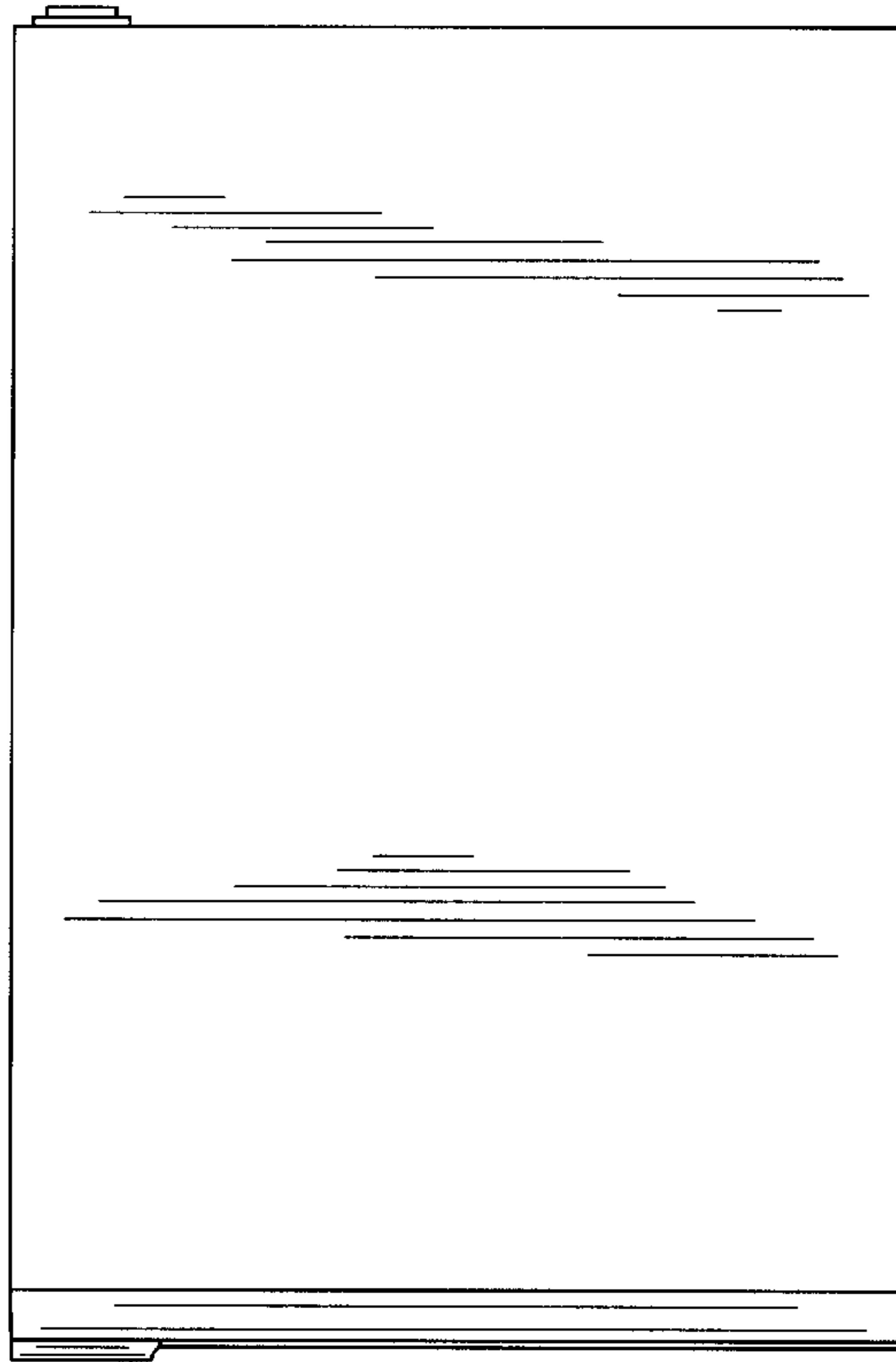


FIG. 7

