



US00D474770S

(12) **United States Design Patent**  
**Chujou et al.**

(10) **Patent No.:** **US D474,770 S**

(45) **Date of Patent:** **\*\* May 20, 2003**

(54) **IMAGE READER FOR A COMPUTER**

(75) Inventors: **Takeshi Chujou**, Ishikawa (JP); **Kiichi Taniho**, Ishikawa (JP); **Satoshi Kuroda**, Ishikawa (JP); **Hidebumi Yamaguchi**, Yokohama (JP)

(73) Assignee: **PFU Limited**, Ishikawa (JP)

(\*\*) Term: **14 Years**

(21) Appl. No.: **29/157,856**

(22) Filed: **Mar. 29, 2002**

(30) **Foreign Application Priority Data**

Oct. 1, 2001 (JP) ..... 2001-028689

(51) **LOC (7) Cl.** ..... **14-02**

(52) **U.S. Cl.** ..... **D14/425**

(58) **Field of Search** ..... D14/422, 424,  
D14/425; D18/36, 37, 54; 235/462.14;  
250/556; 355/64, 65, 75, 81; 358/497, 474,  
400, 401, 1.14; 382/321

(56) **References Cited**

**U.S. PATENT DOCUMENTS**

5,293,033 A \* 3/1994 Yamashita ..... 235/462.14  
D351,144 S \* 10/1994 Fishbine et al. .... D14/384

5,353,360 A \* 10/1994 Obara ..... 382/321  
D371,120 S \* 6/1996 Kono et al. .... D14/425  
D377,342 S \* 1/1997 Lin ..... D14/424  
D415,127 S \* 10/1999 Ueda ..... D14/425

**FOREIGN PATENT DOCUMENTS**

CA 2304001 \* 10/2000

\* cited by examiner

*Primary Examiner*—Freda Nunn

(74) *Attorney, Agent, or Firm*—Arent Fox Kintner Plotkin & Kahn, PLLC

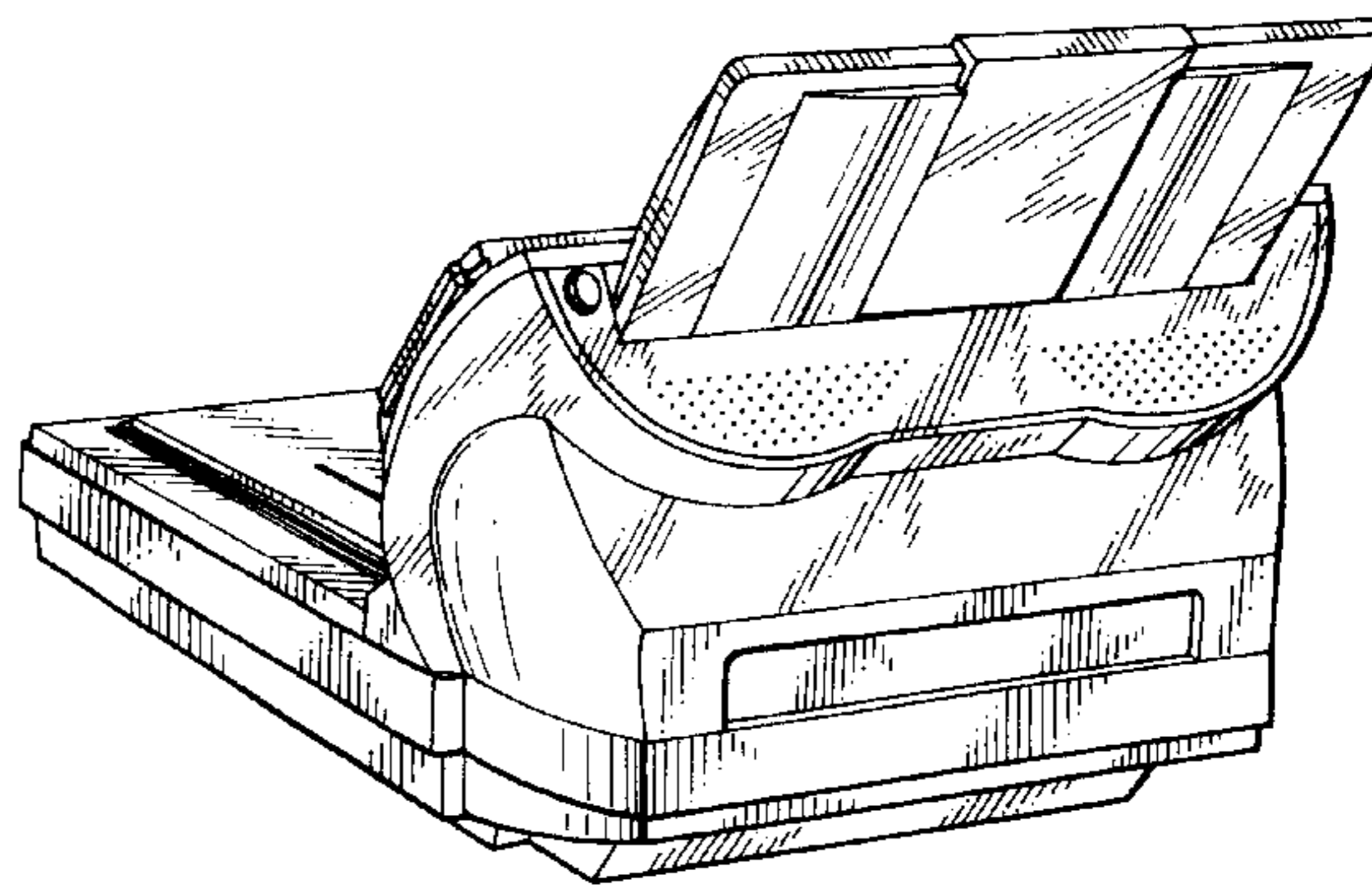
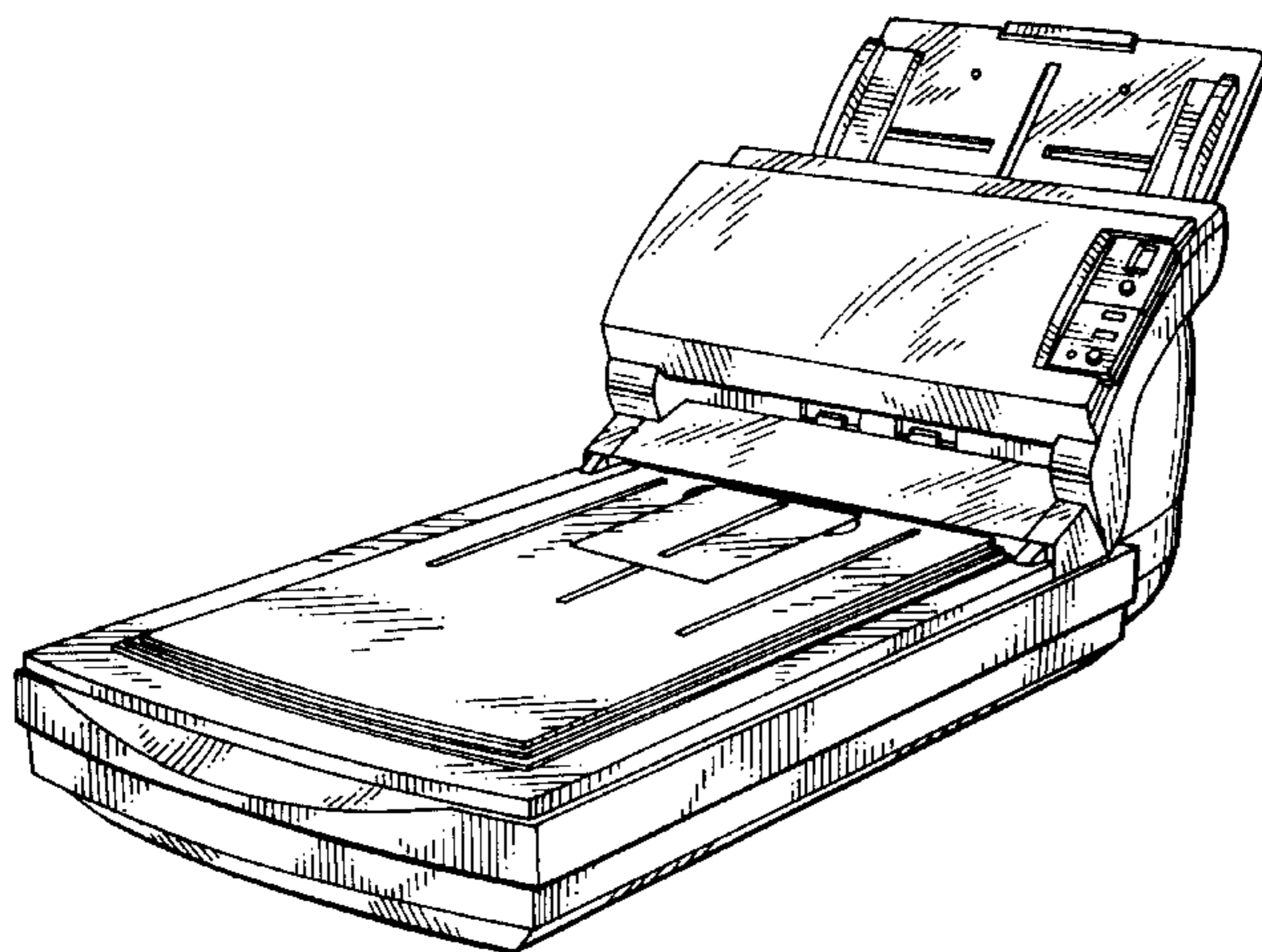
(57) **CLAIM**

The ornamental design for an image reader for a computer, as shown.

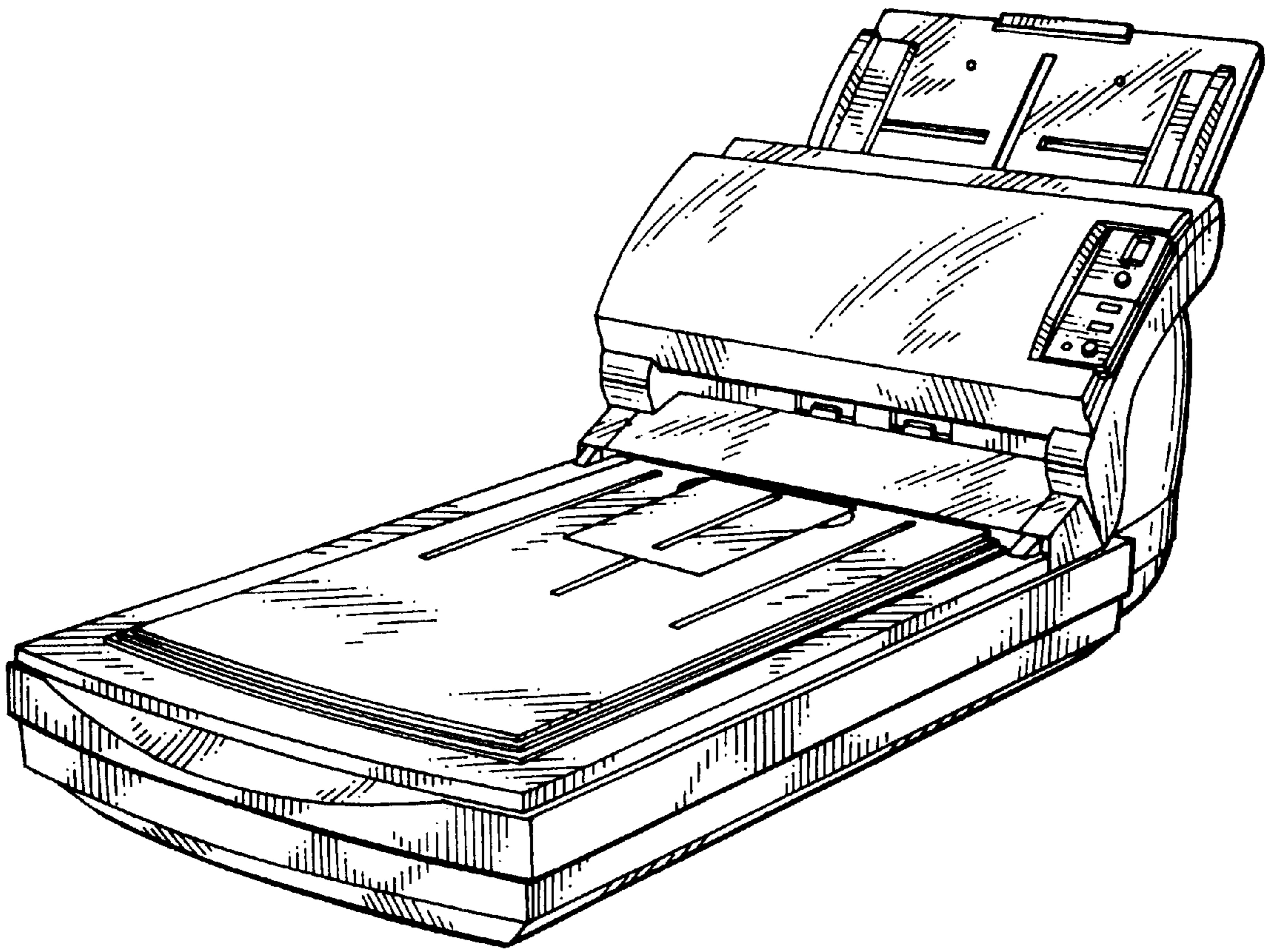
**DESCRIPTION**

FIG. 1 is a front perspective view of an image reader for a computer showing our new design; FIG. 2 is a rear perspective view of FIG. 1; FIG. 3 is a front elevational view of FIG. 1; FIG. 4 is a rear elevational view of FIG. 1; FIG. 5 is a right side elevational view of FIG. 1; FIG. 6 is a left side elevational view of FIG. 1; FIG. 7 is a top plan view of FIG. 1; and, FIG. 8 is a bottom plan view of FIG. 1.

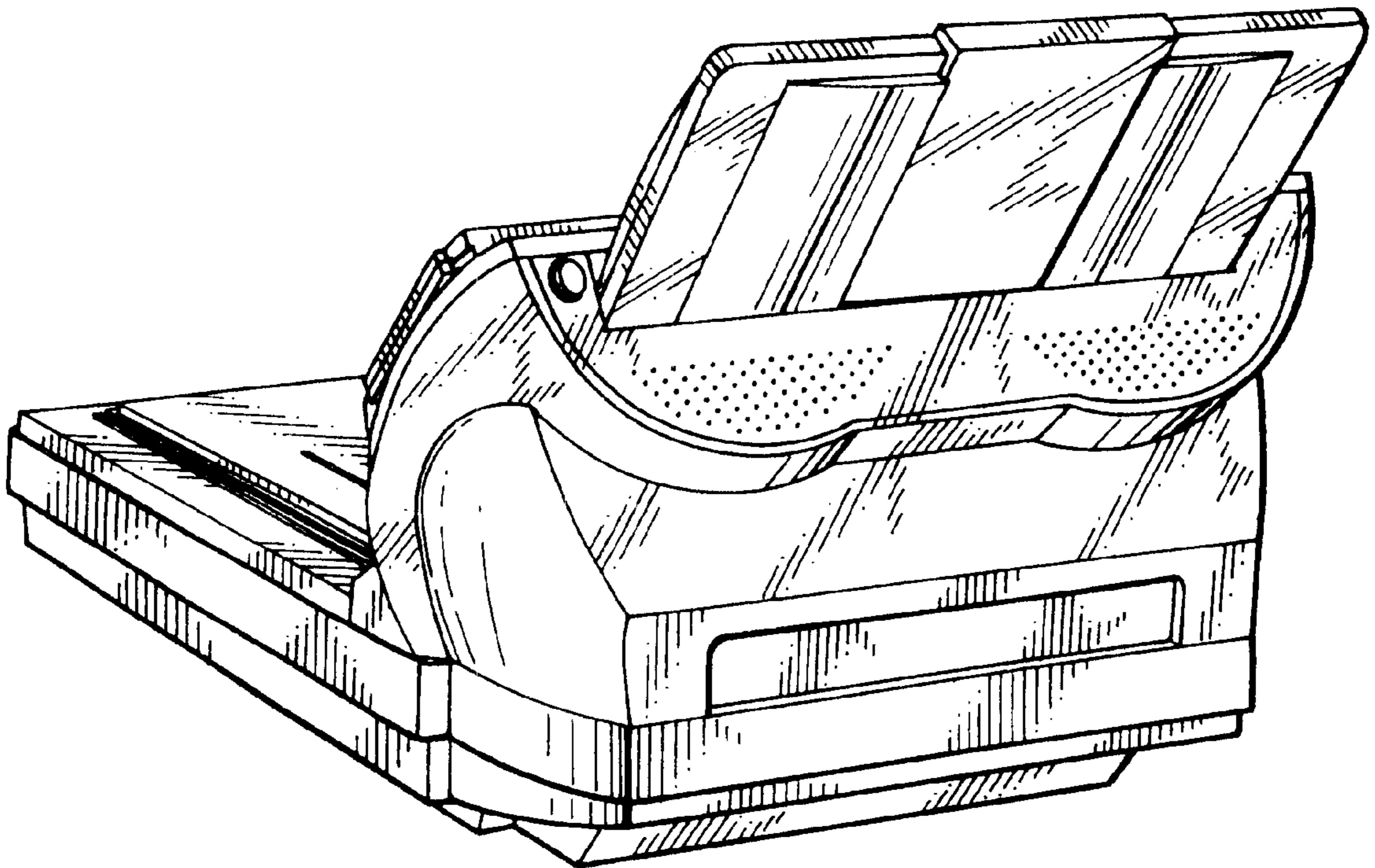
**1 Claim, 8 Drawing Sheets**



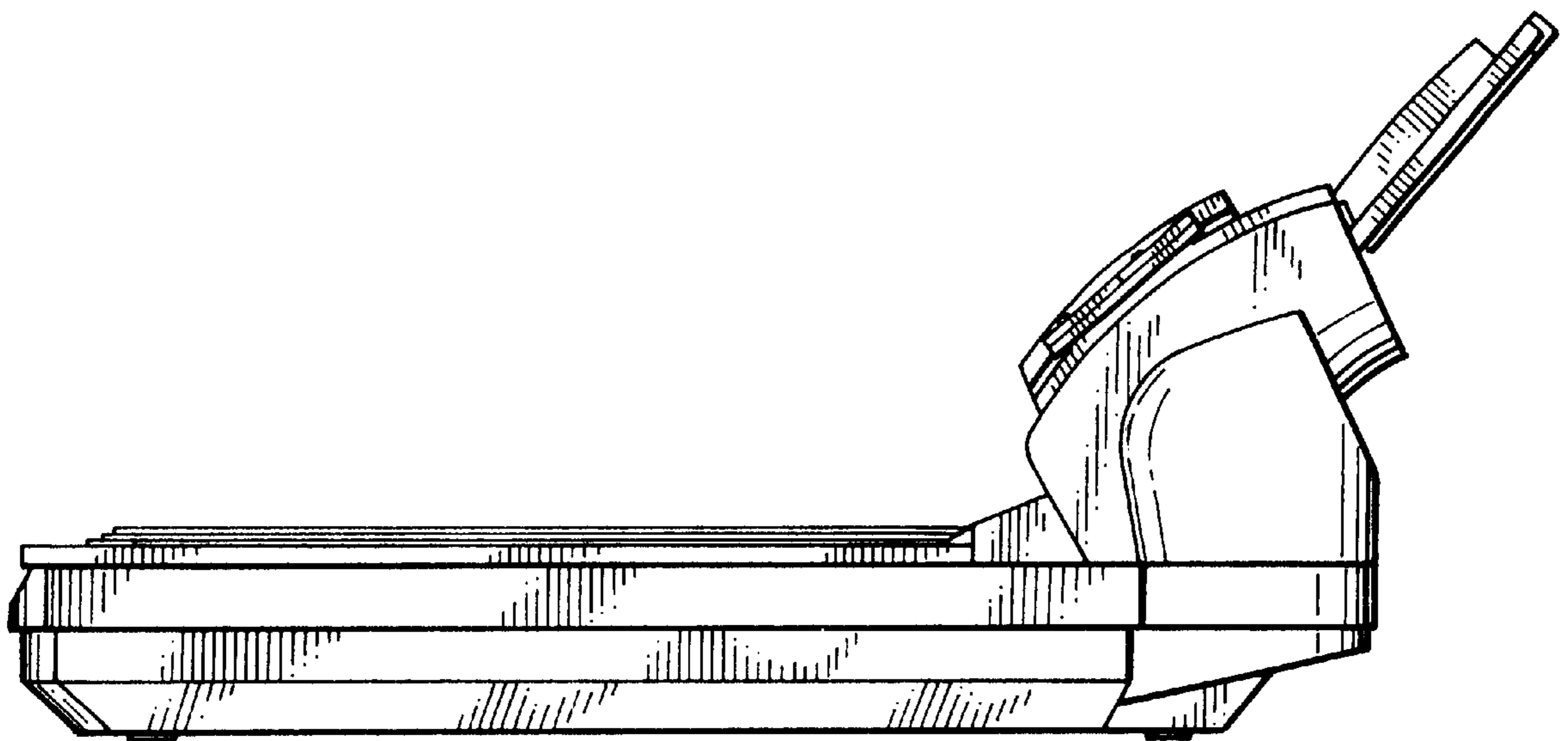
*FIG. 1*



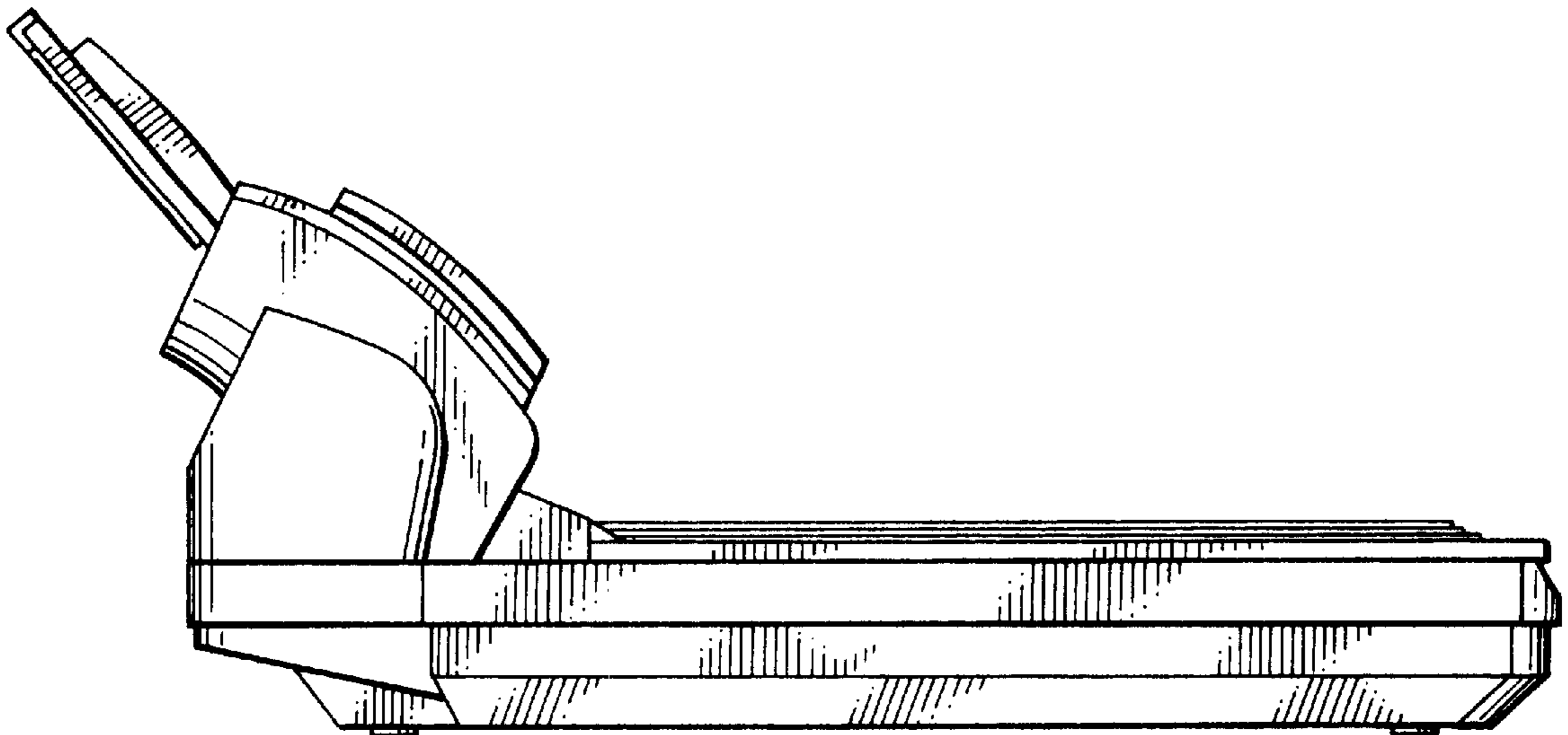
*FIG. 2*



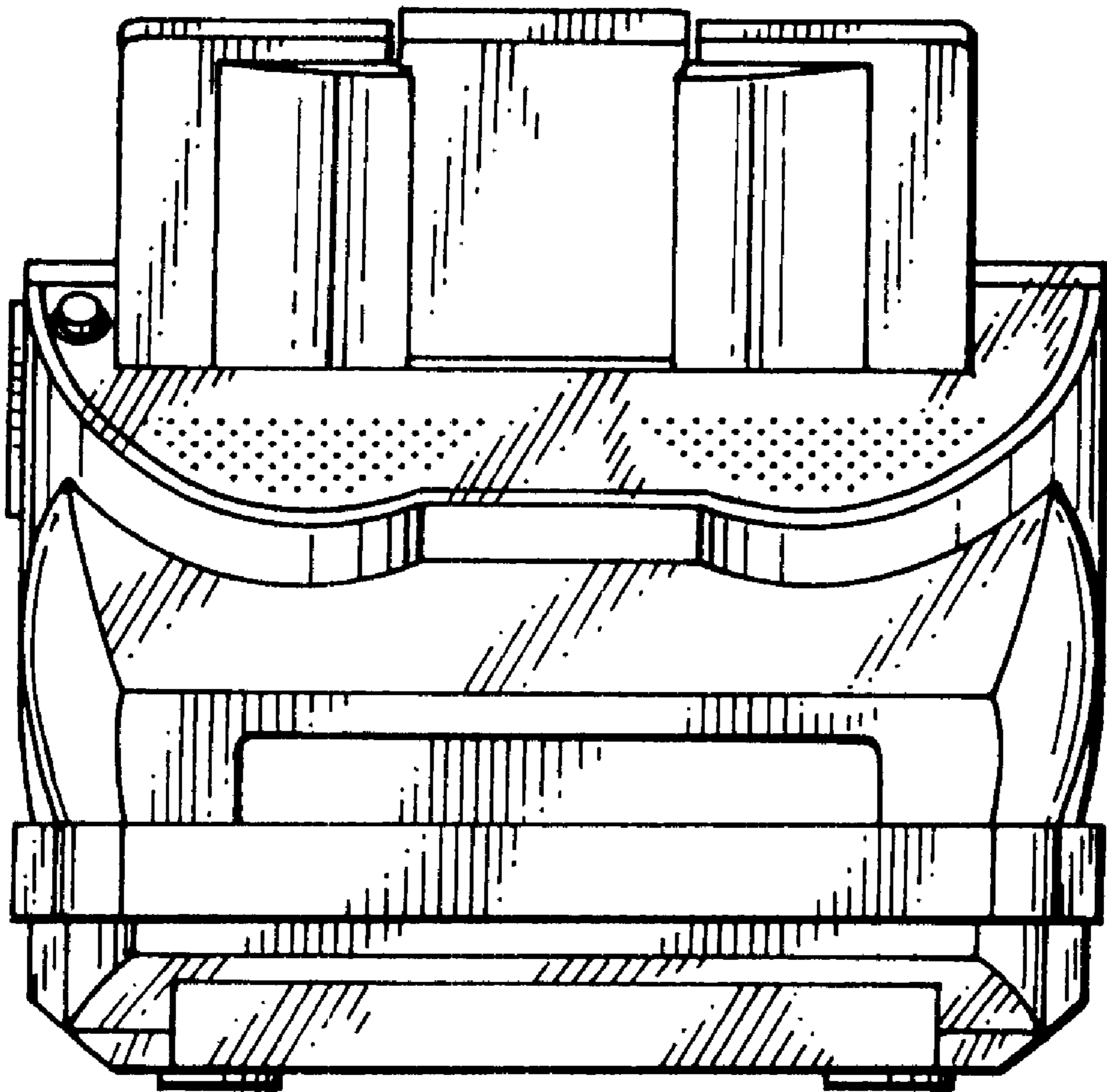
*FIG. 3*



*FIG. 4*



*FIG. 5*



*FIG. 6*

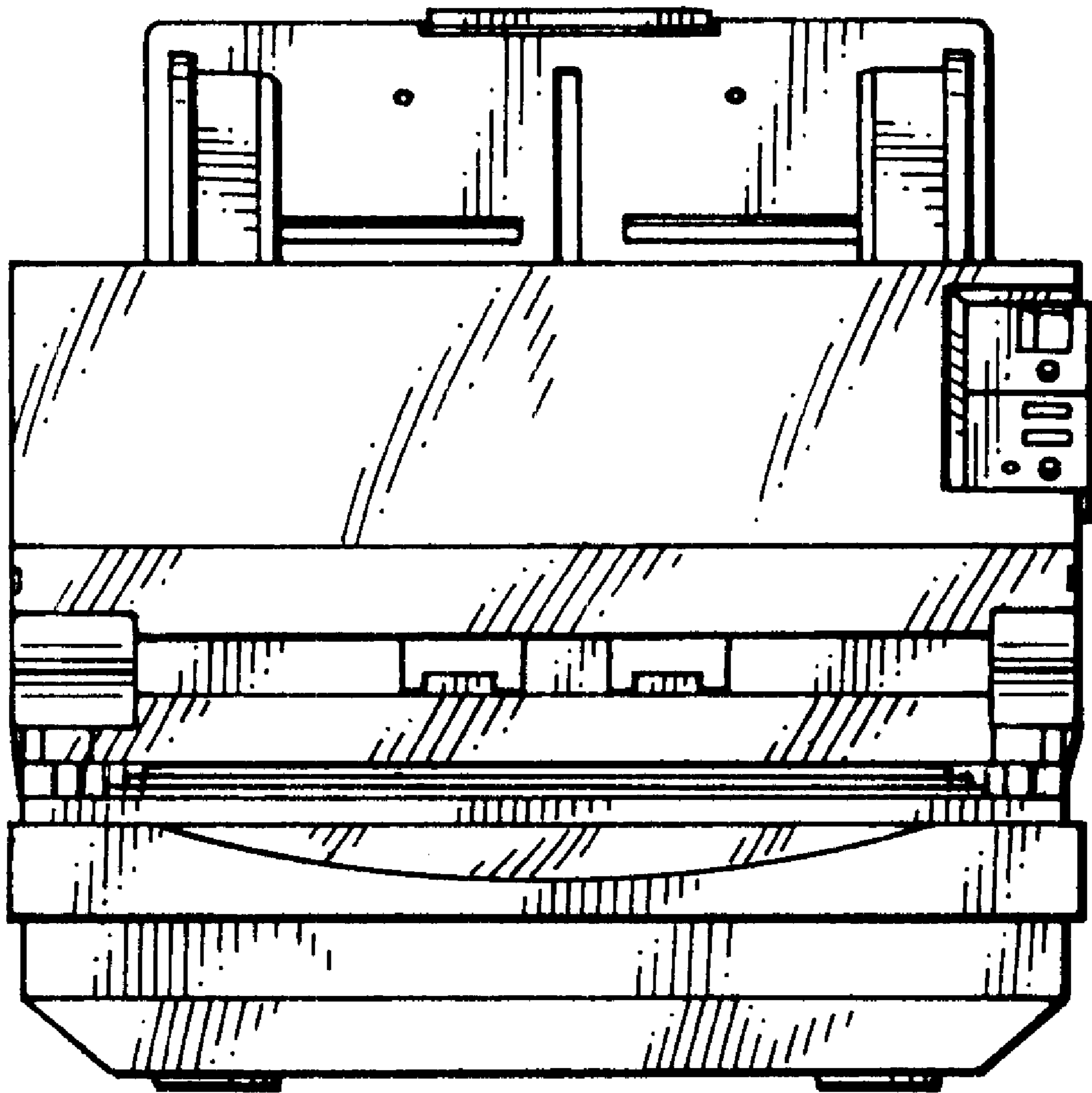
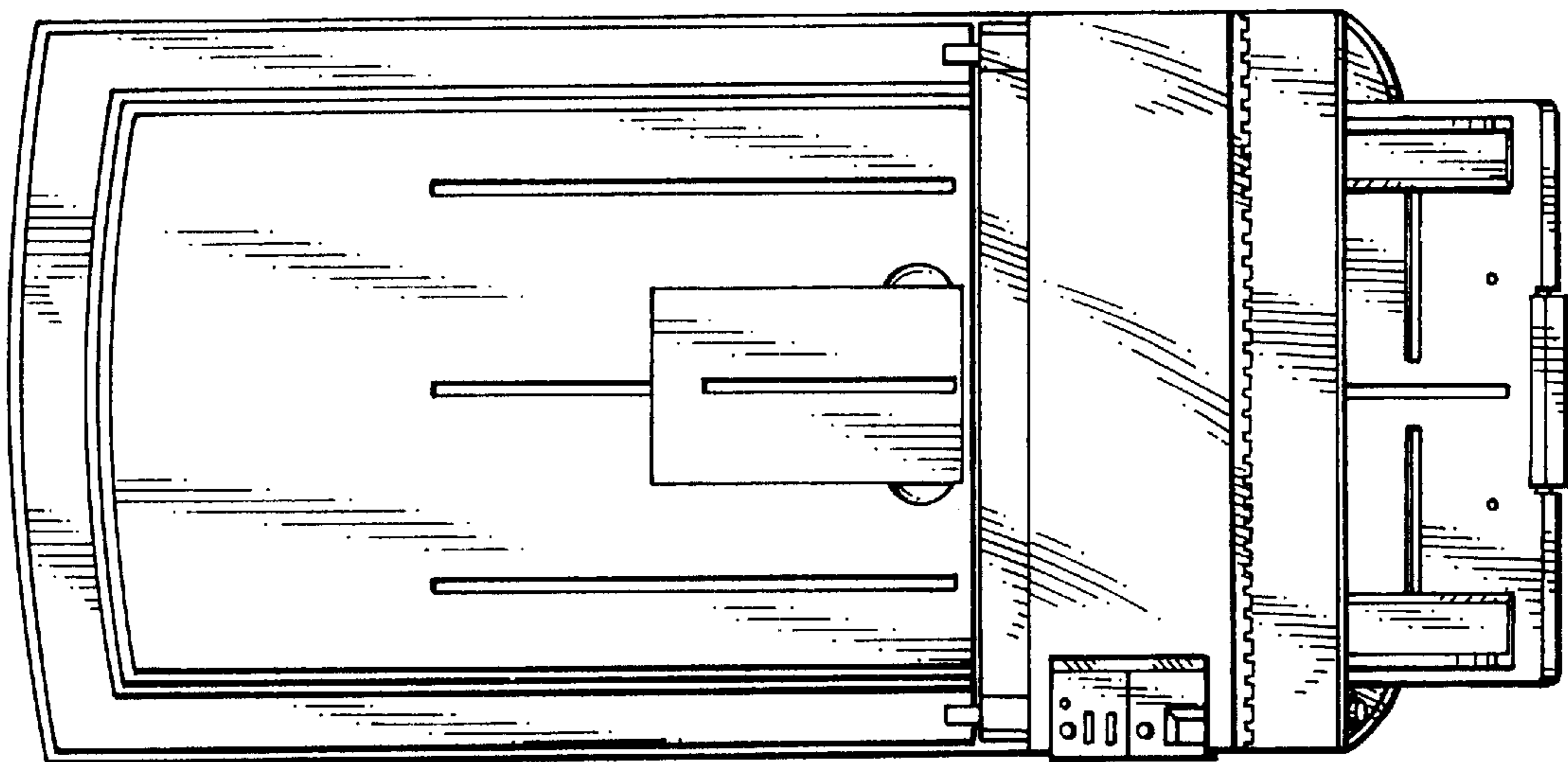


FIG. 7





*FIG. 8*

