



US00D474763S

(12) **United States Design Patent**
Tozaki et al.

(10) **Patent No.:** **US D474,763 S**

(45) **Date of Patent:** **** May 20, 2003**

(54) **HANDHELD REMOTE CONTROL**

(75) Inventors: **Ray Tozaki**, San Diego, CA (US); **Rich Annibaldi**, Dublin, OH (US)

(73) Assignee: **Pioneer Digital Technologies, Inc.**, San Diego, CA (US)

(**) Term: **14 Years**

(21) Appl. No.: **29/161,438**

(22) Filed: **May 30, 2002**

(51) **LOC (7) Cl.** **14-03**

(52) **U.S. Cl.** **D14/218**

(58) **Field of Search** D14/174, 217,
D14/218, 137-139, 151, 191-193, 124,
299, 167-168; D13/168, 162-164; D21/512-517,
566; D10/104, 106; 455/352-355, 151.1-151.4;
348/114, 734

(56) **References Cited**

U.S. PATENT DOCUMENTS

D368,264 S * 3/1996 Laituri D14/218

D398,009 S * 9/1998 Huppertz et al. D14/218

D420,668 S * 2/2000 Choi D14/218

D421,016 S * 2/2000 Bowen et al. D14/218

D429,718 S * 8/2000 Rudolph D14/218

D434,027 S * 11/2000 Barhold et al. D14/218

* cited by examiner

Primary Examiner—Louis S. Zarfaz

Assistant Examiner—Deanne Levy

(74) *Attorney, Agent, or Firm*—Keiji Masaki; Steve A. Wong; Richard J. Stokey

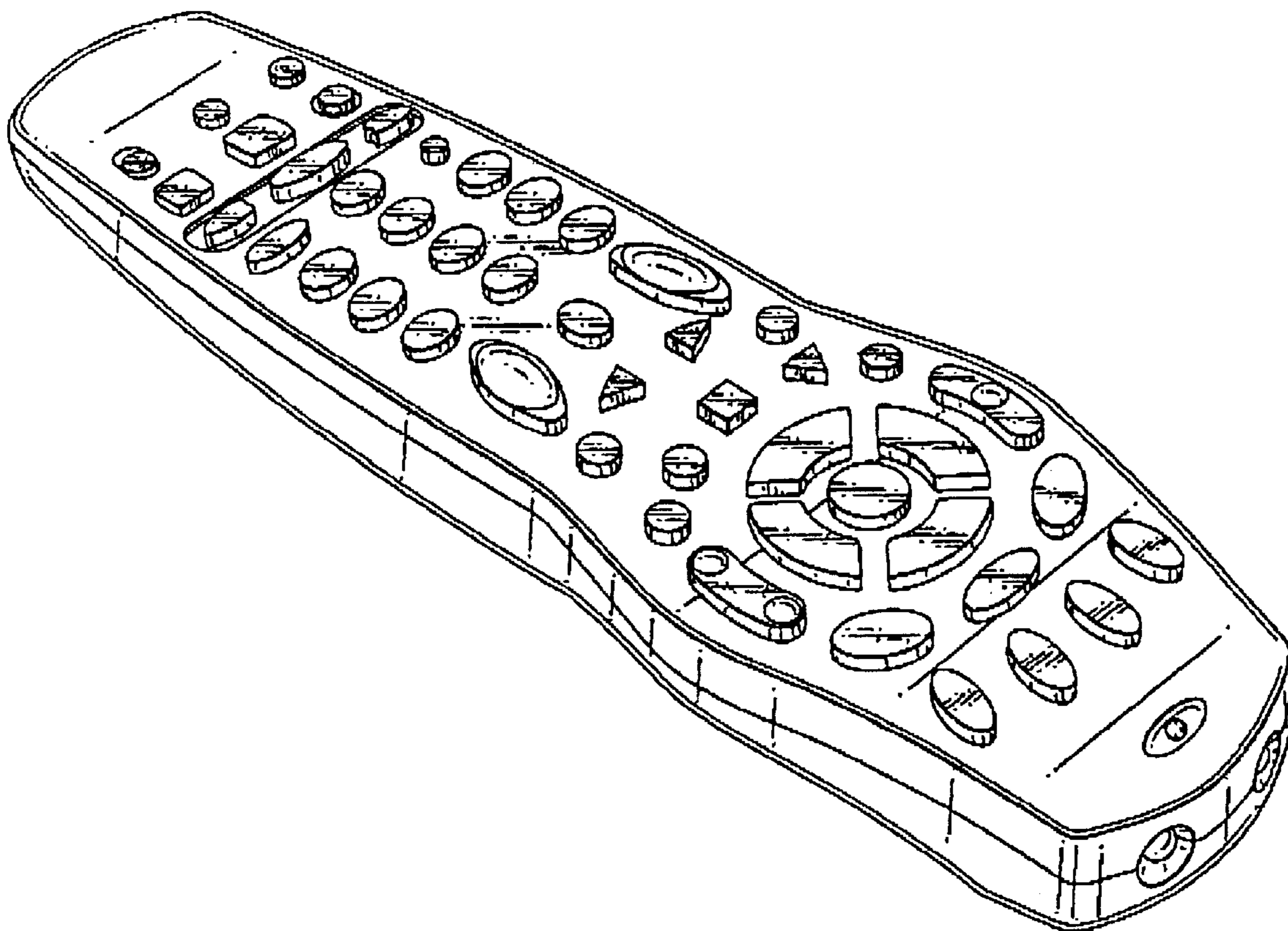
(57) **CLAIM**

We claim the ornamental design for the handheld remote control, as shown and described.

DESCRIPTION

FIG. 1 is a perspective view of a handheld remote control. FIG. 2 is a top plan view of a handheld remote control. FIG. 3 is a left side view of a handheld remote control. FIG. 4 is a right side view of a handheld remote control; and, FIG. 5 is a bottom view of a handheld remote control.

1 Claim, 3 Drawing Sheets



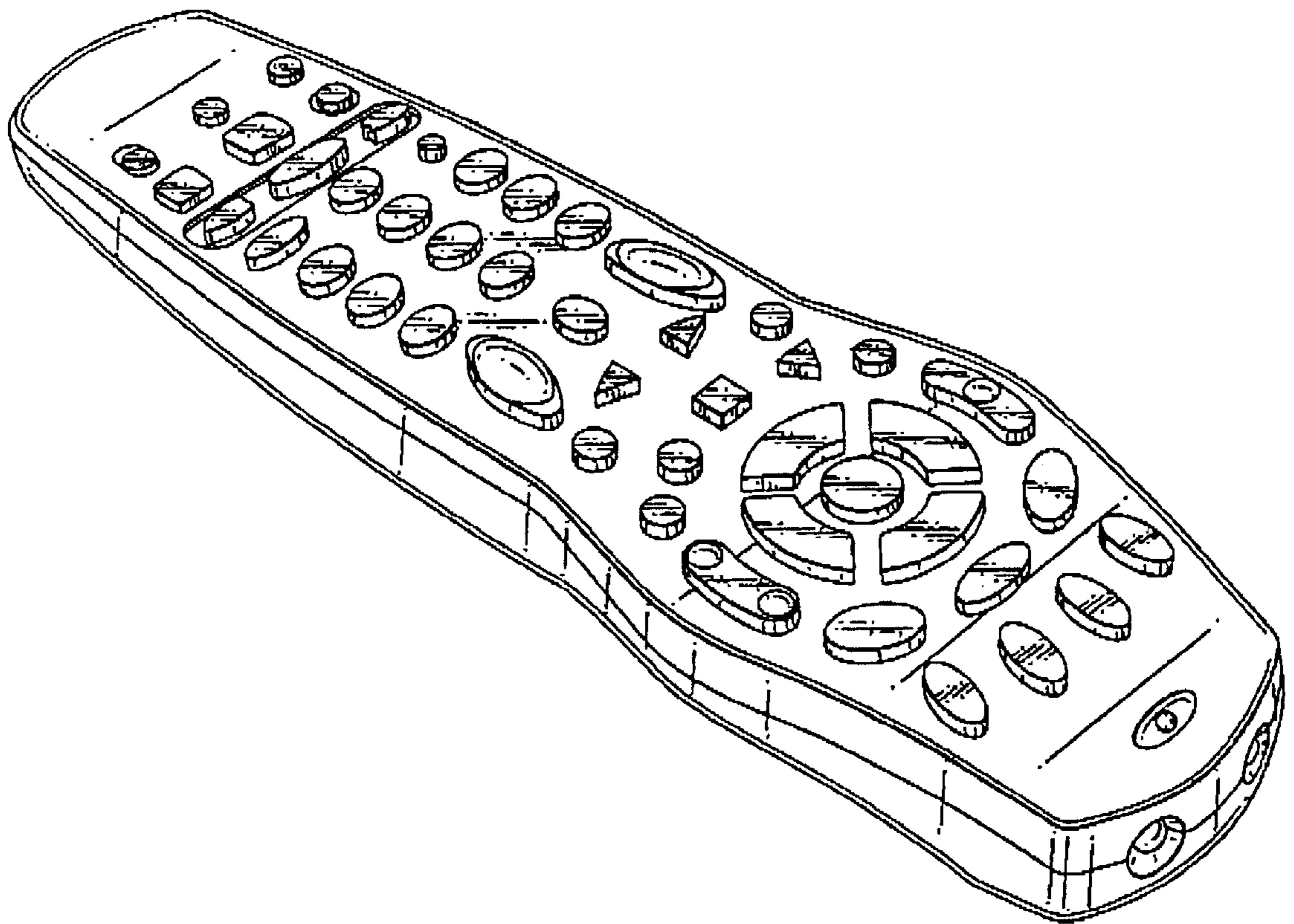


FIG. 1

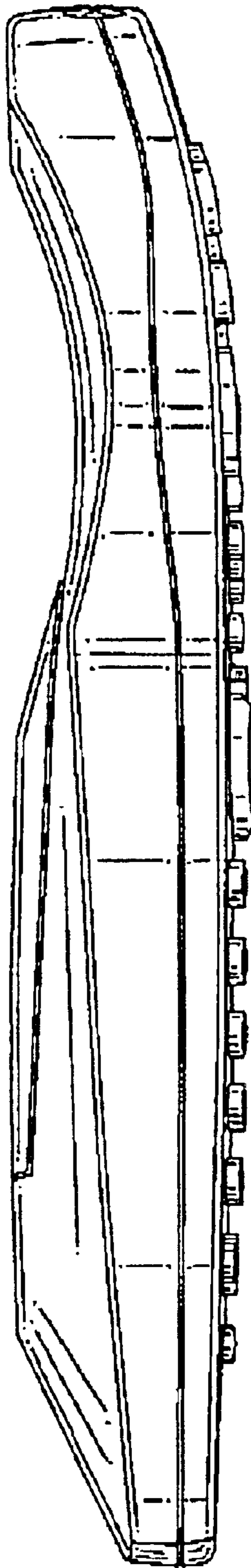


FIG. 3

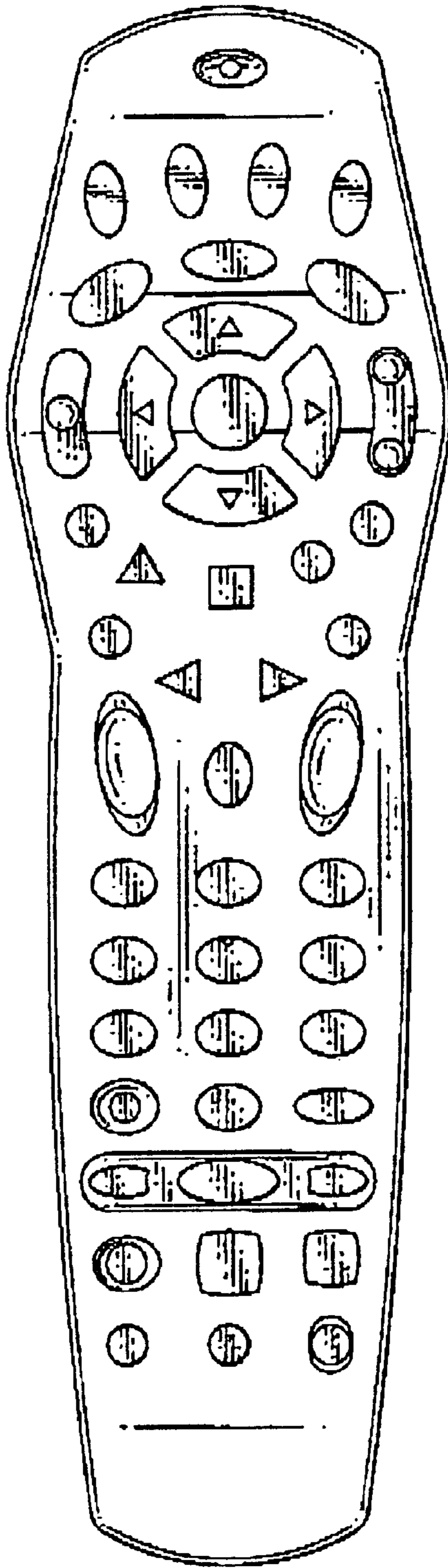


FIG. 2

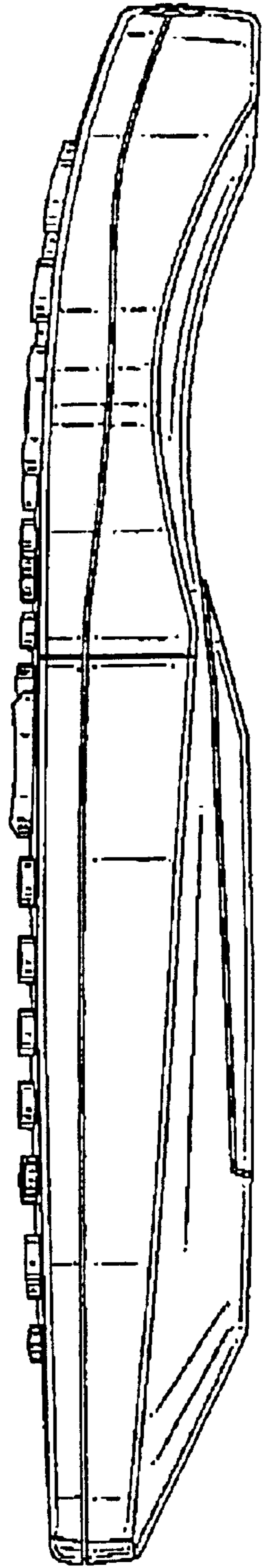


FIG. 4

FIG.5

