



US00D474762S

(12) **United States Design Patent**
Moberg et al.

(10) **Patent No.:** **US D474,762 S**

(45) **Date of Patent:** **** May 20, 2003**

(54) **LOW PROFILE CLIP DESIGN**

(75) Inventors: **Sheldon B. Moberg**, Granada Hills, CA (US); **Dave Kimball**, Irvine, CA (US); **Timothy Payne**, Santa Ana, CA (US)

(73) Assignee: **Medtronic Minimed, Inc.**, Northridge, CA (US)

(**) Term: **14 Years**

(21) Appl. No.: **29/152,294**

(22) Filed: **Dec. 14, 2001**

(51) **LOC (7) Cl.** **14-99**

(52) **U.S. Cl.** **D14/217**

(58) **Field of Search** D3/218; D8/394, D8/395; D14/191, 192, 163, 165, 217, 253; 24/3.1, 3.11, 3.12, 11 P; 224/196, 268-271, 298, 667, 669-670

(56) **References Cited**

U.S. PATENT DOCUMENTS

D310,167 S	*	8/1990	Reber, II	D8/395
5,472,317 A		12/1995	Field et al.		
5,709,012 A	*	1/1998	Ebashi	24/3.11
D408,878 S	*	4/1999	Patten	D21/743
6,105,923 A	*	8/2000	Robertson et al.	248/682
6,176,401 B1	*	1/2001	Lim	224/196

* cited by examiner

Primary Examiner—Nanda Bondade

(74) *Attorney, Agent, or Firm*—Foley & Lardner

(57) **CLAIM**

The ornamental design for a low profile clip design, as shown and described.

DESCRIPTION

FIG. 1 is a perspective view showing the front and top sides of our low profile clip design according to an embodiment of the invention.

FIG. 2 is a back side view thereof.

FIG. 3 is a right side view thereof.

FIG. 4 is a left side view thereof.

FIG. 5 is a front side view thereof.

FIG. 6 is a bottom side view thereof.

FIG. 7 is a top side view thereof.

FIG. 8 is a perspective view showing the front and top sides of our low profile clip design according to another embodiment of the invention.

FIG. 9 is a back side view of the clip of FIG. 8.

FIG. 10 is a right side view of the clip of FIG. 8.

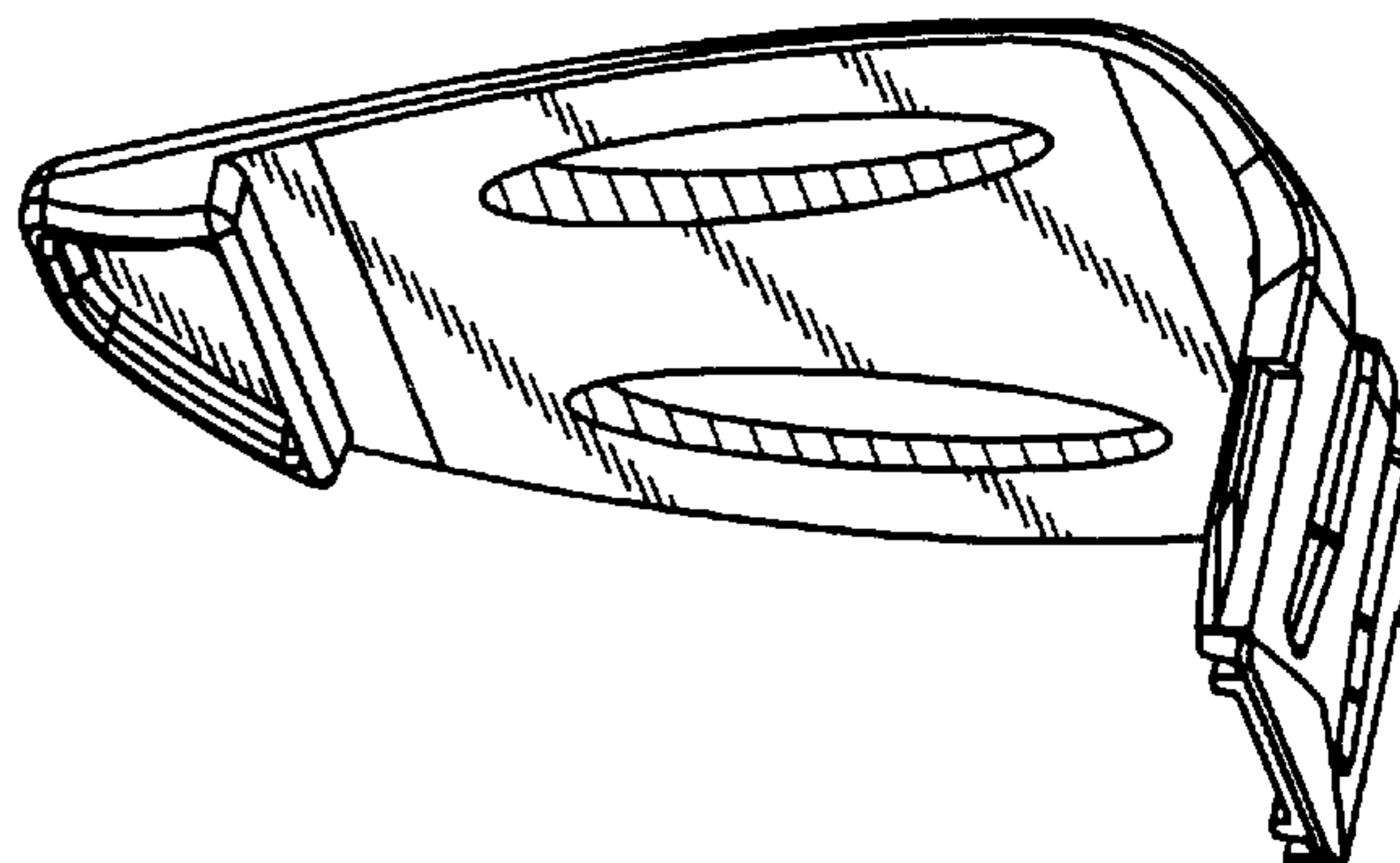
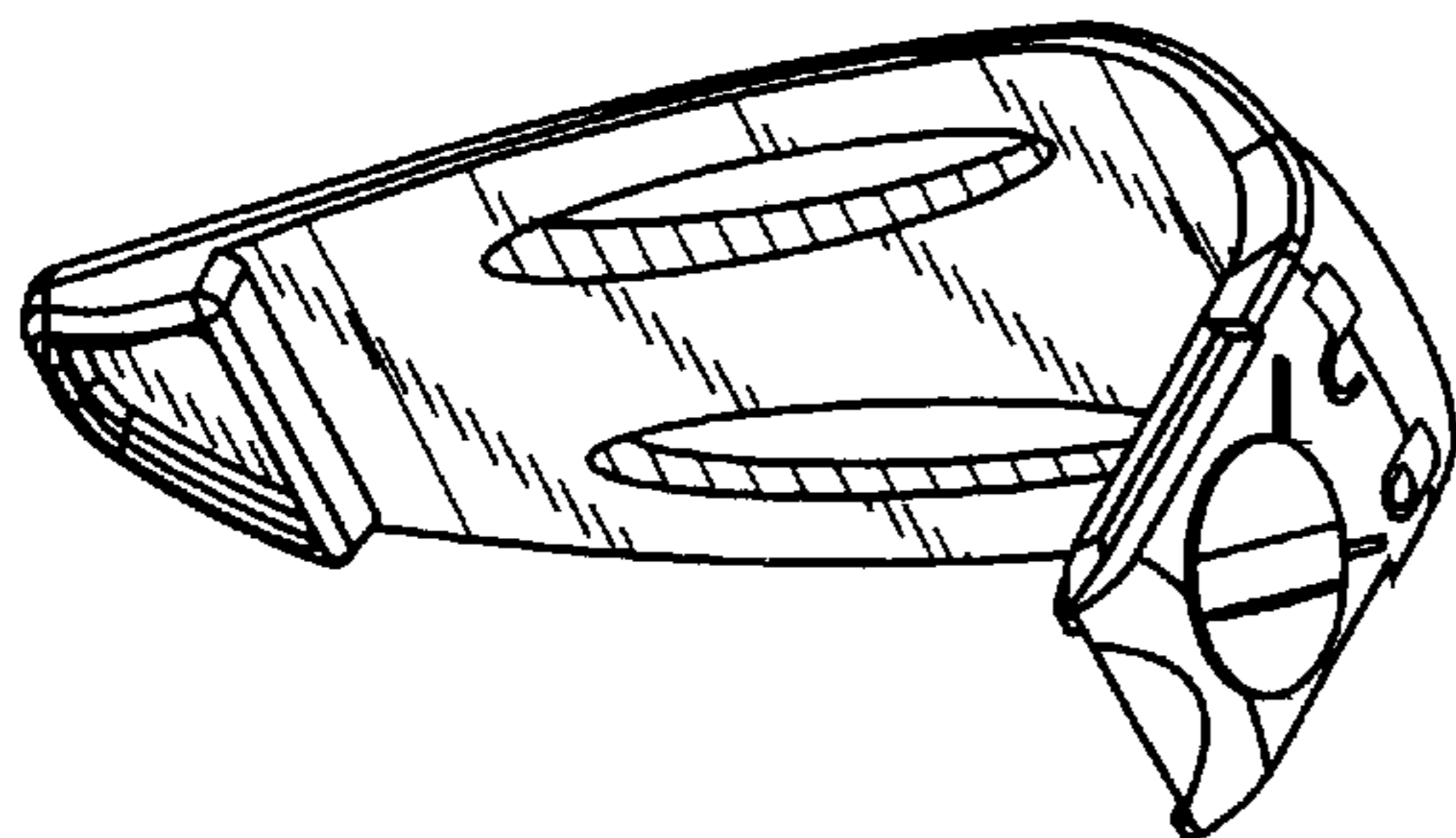
FIG. 11 is a left side view of the clip of FIG. 8.

FIG. 12 is a front side view of the clip of FIG. 8.

FIG. 13 is a bottom side view of the clip of FIG. 8; and,

FIG. 14 is a top side view of the clip of FIG. 8.

1 Claim, 4 Drawing Sheets



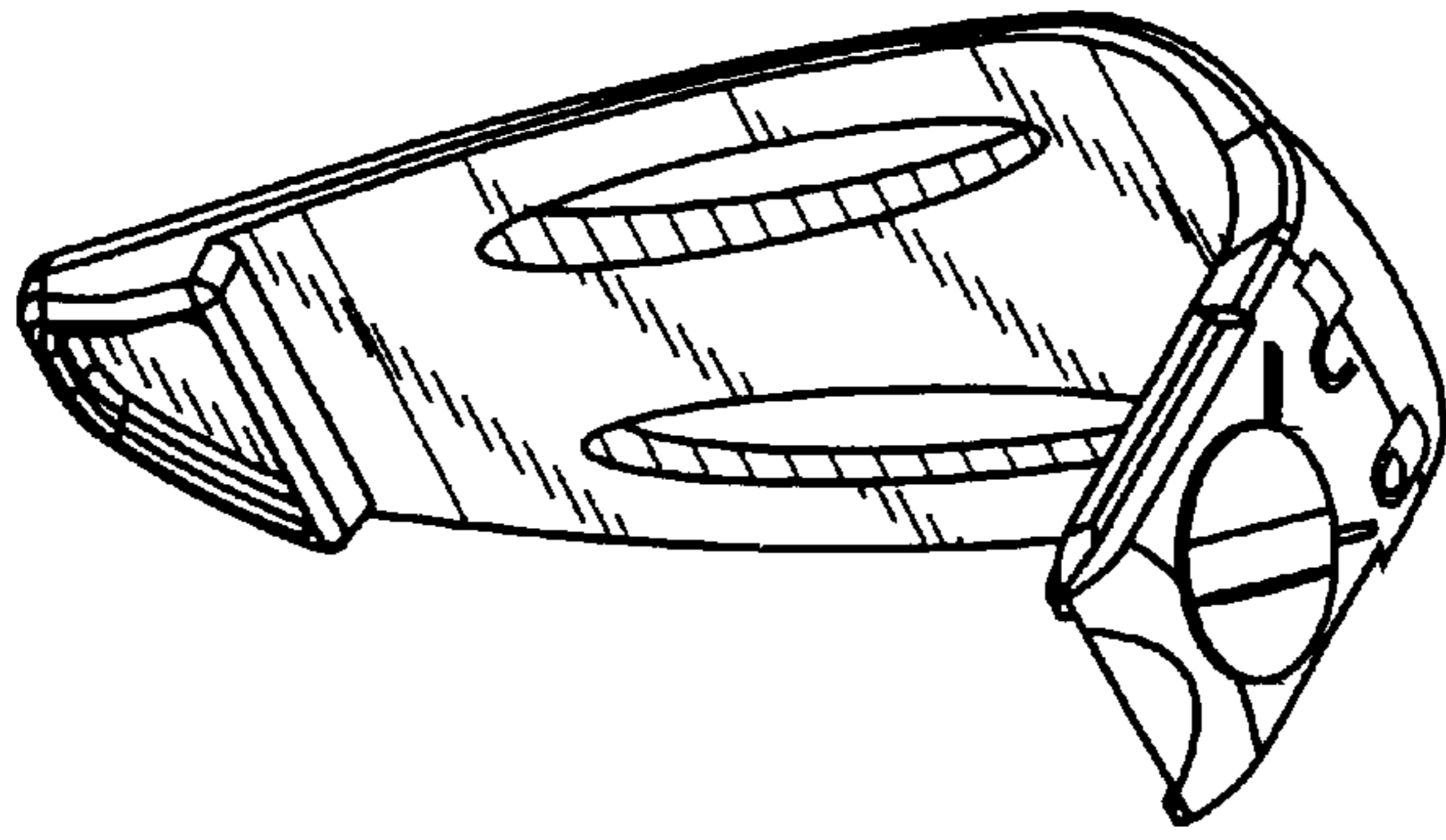


FIG. 1

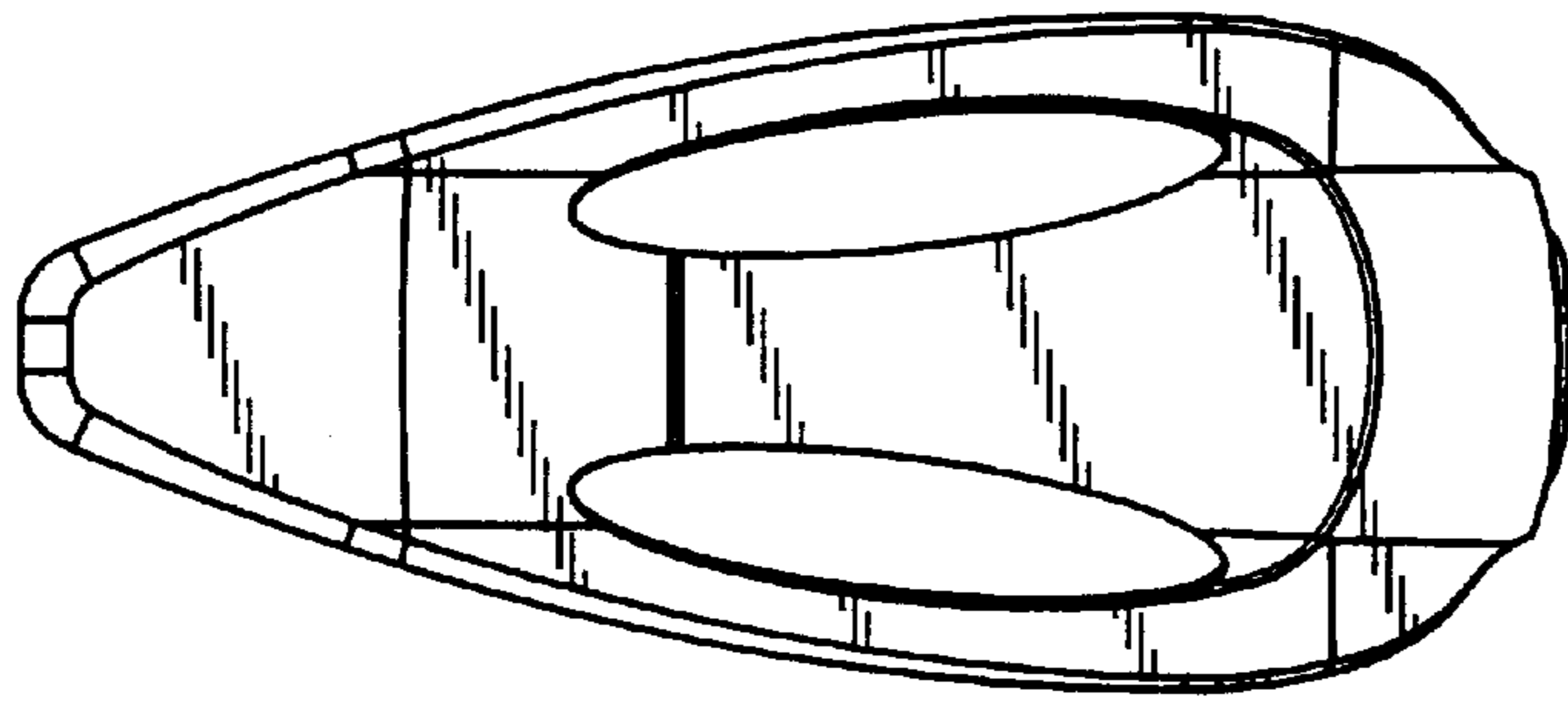


FIG. 2



FIG. 3



FIG. 4

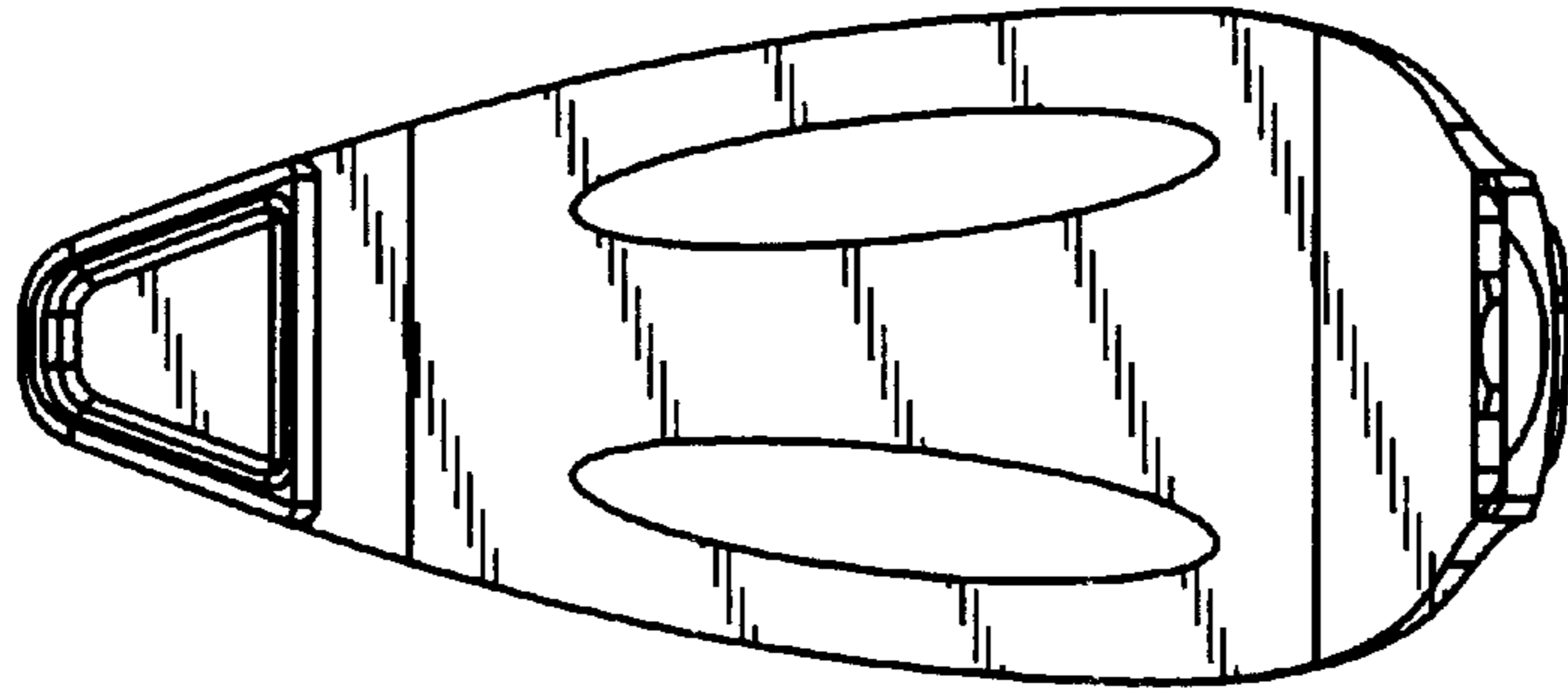


FIG. 5

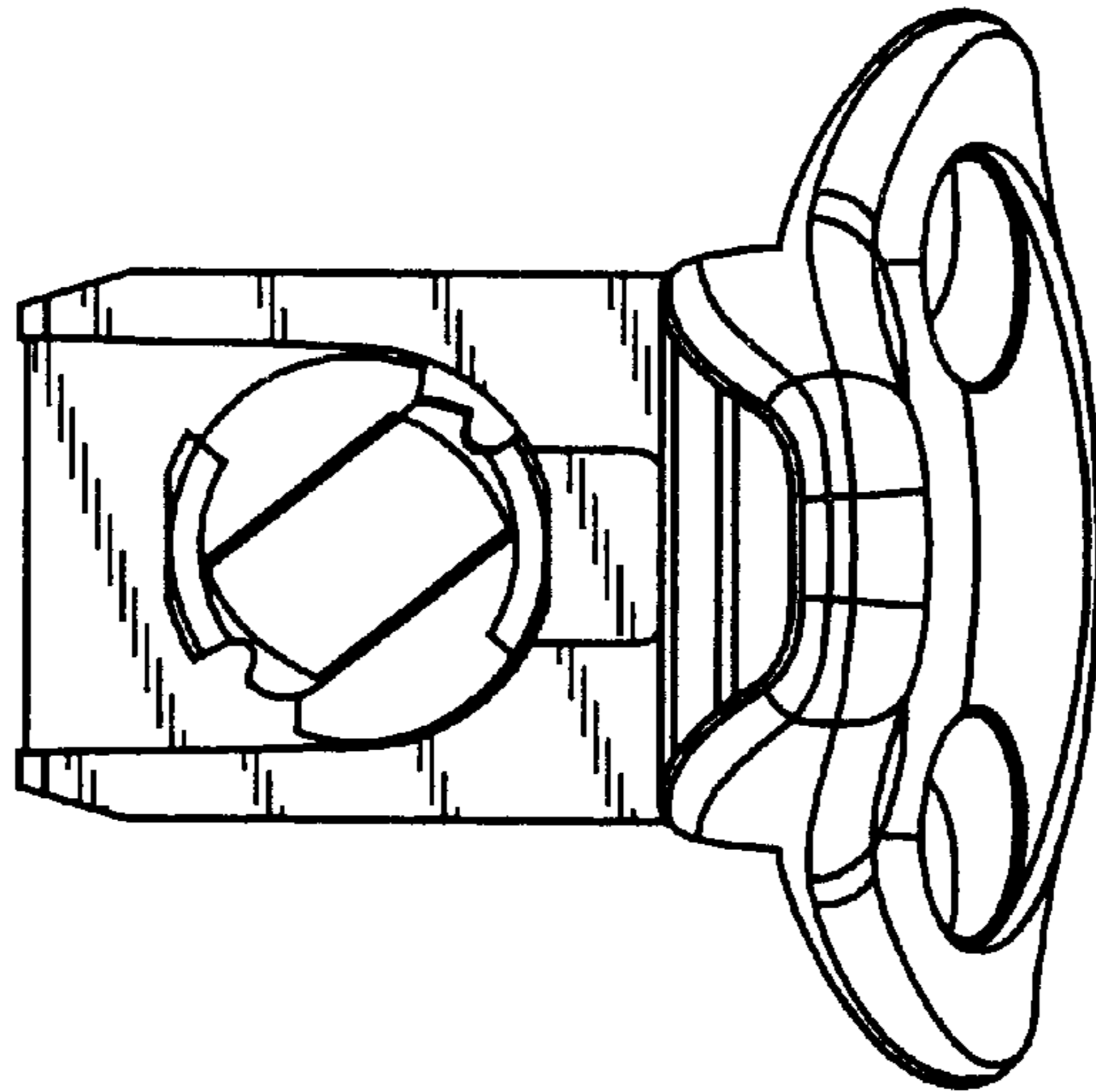


FIG. 6

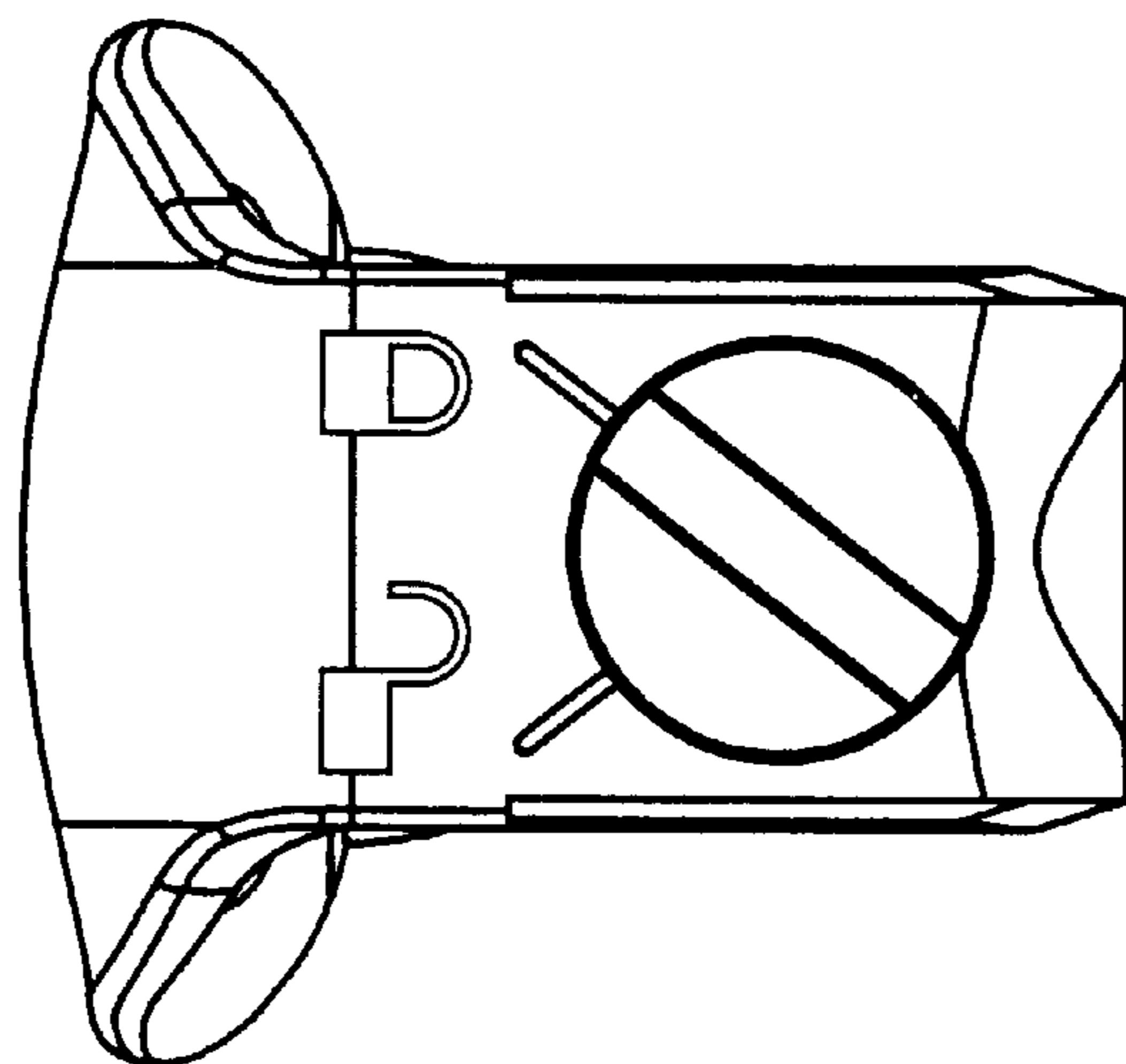


FIG. 7

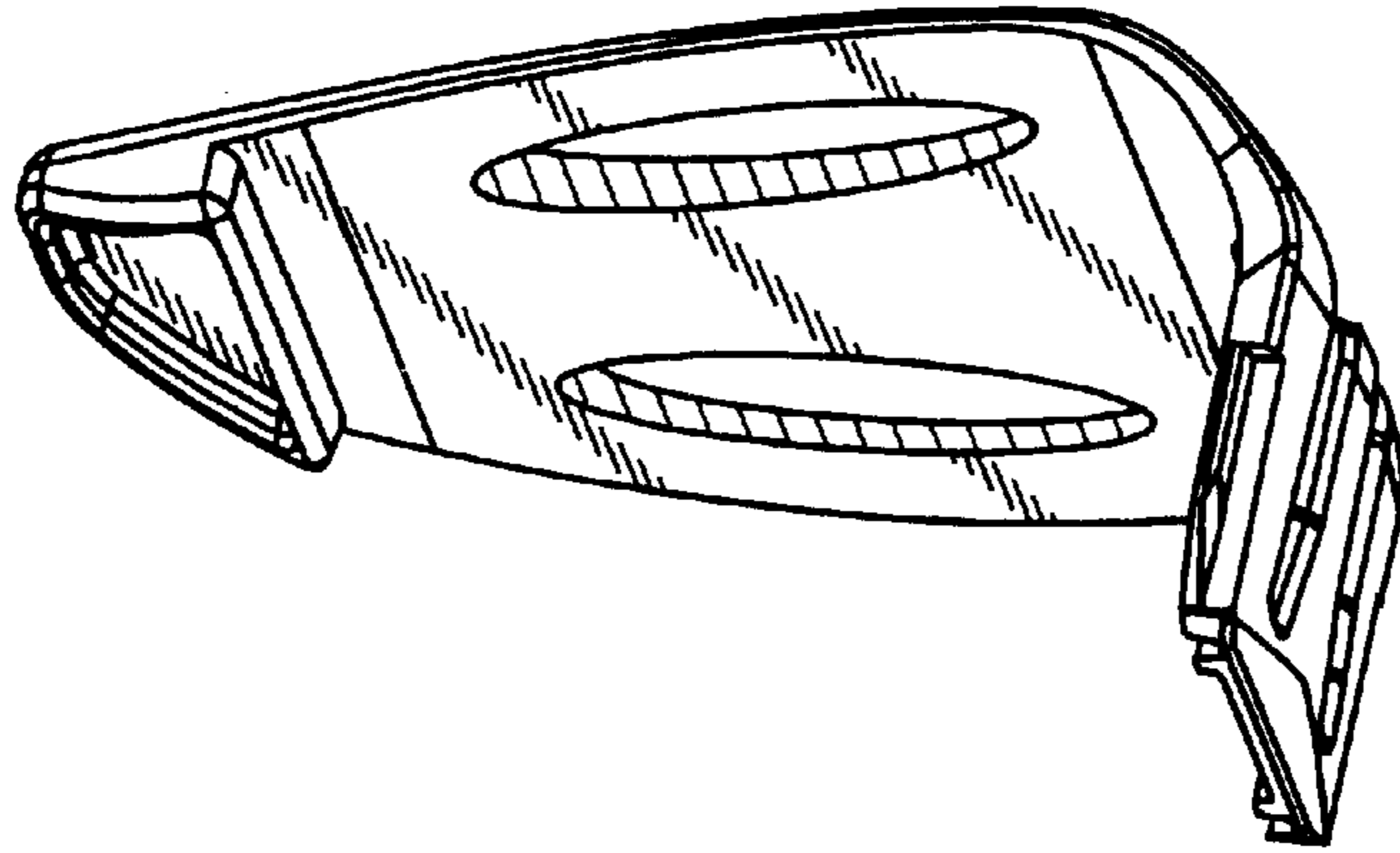


FIG. 8

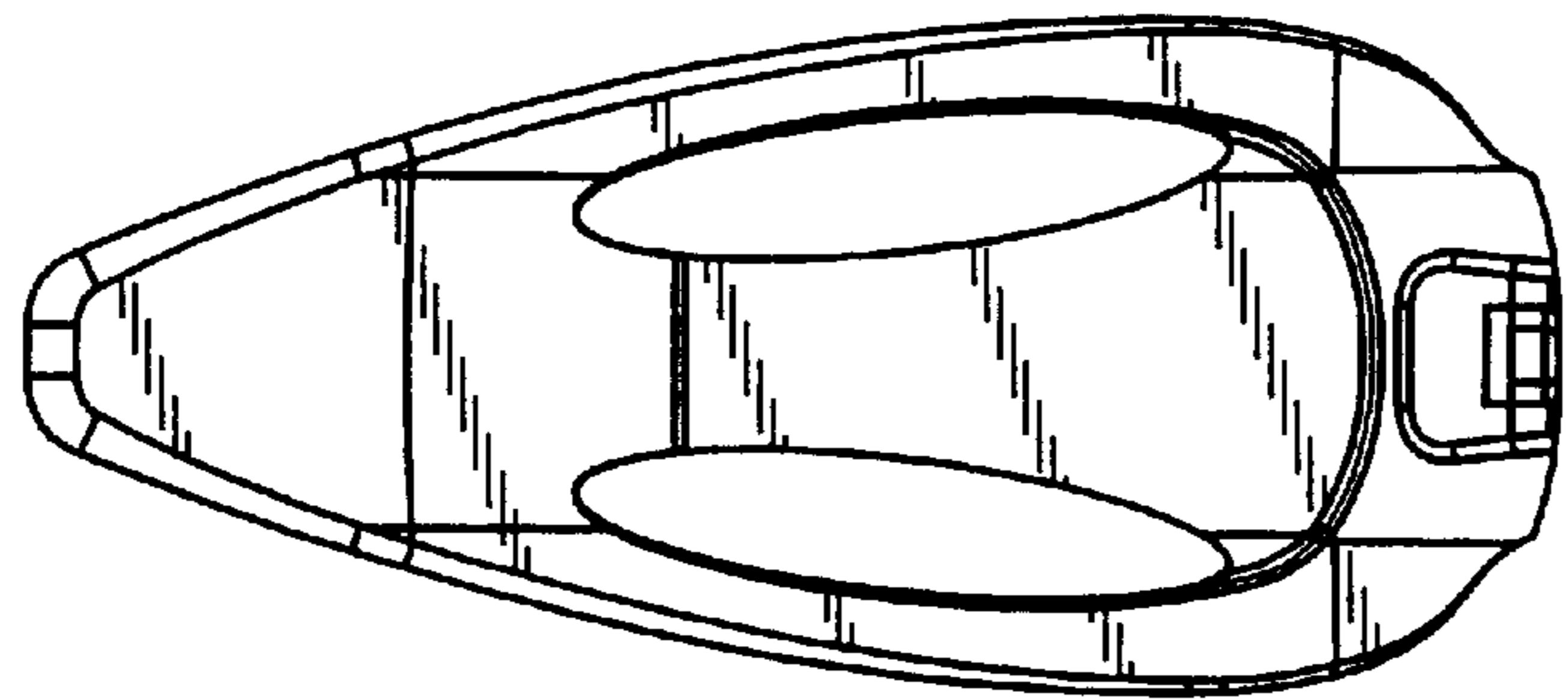


FIG. 9



FIG. 10

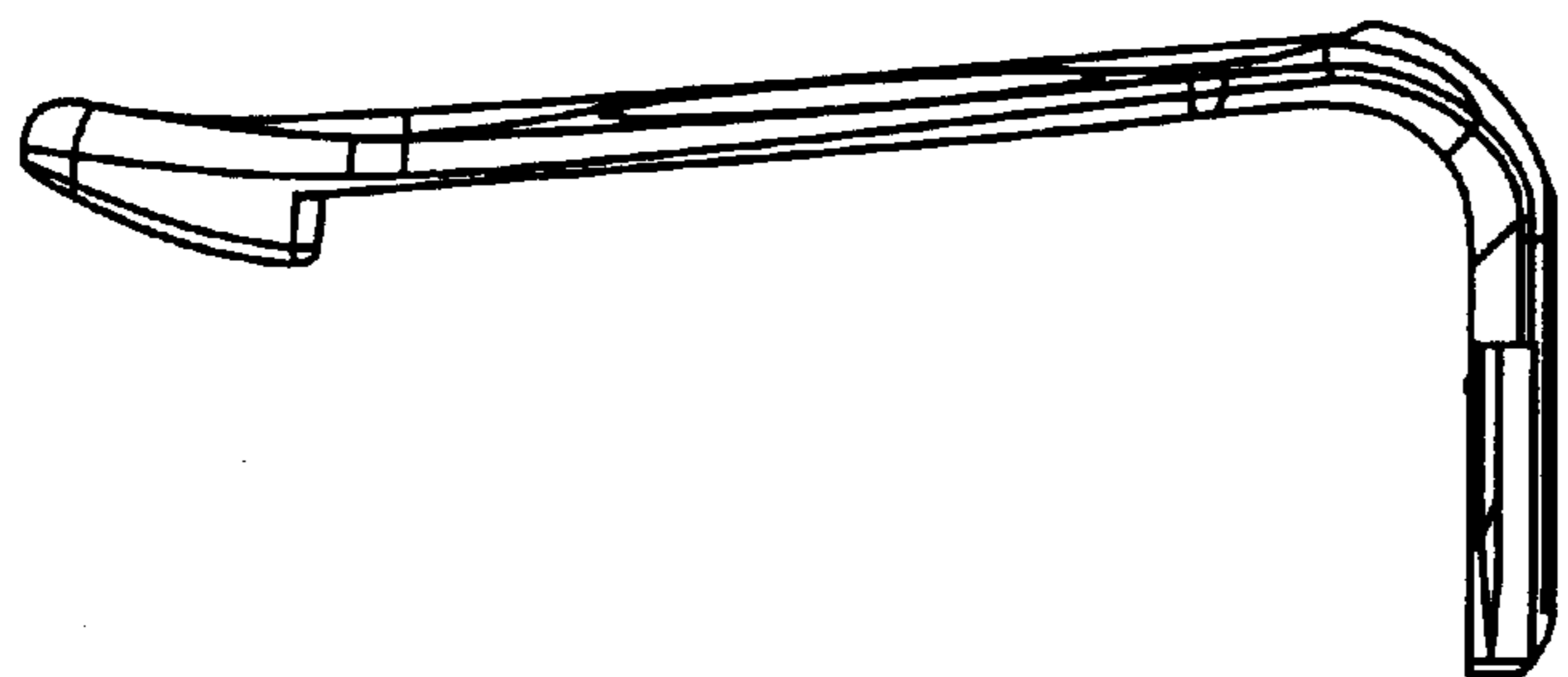


FIG. 11

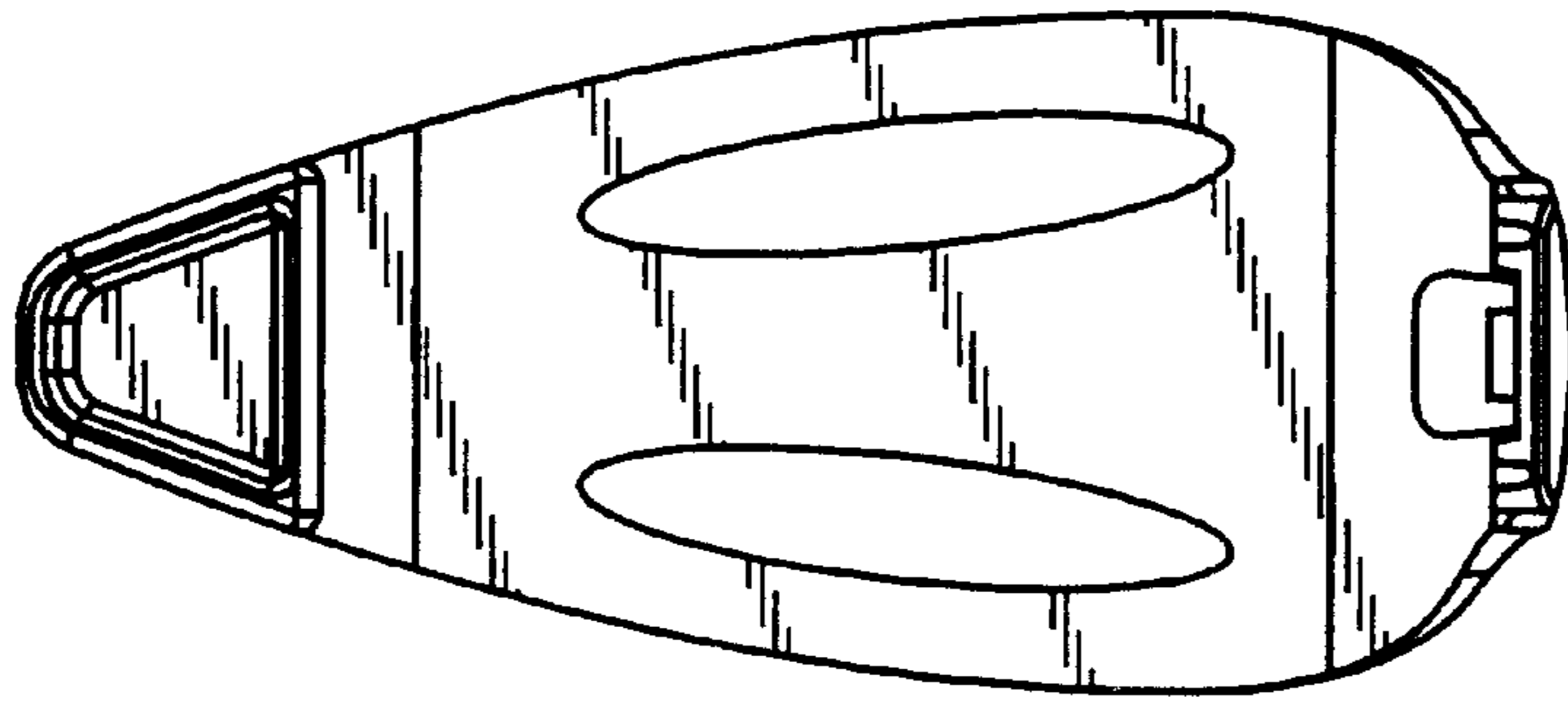


FIG. 12

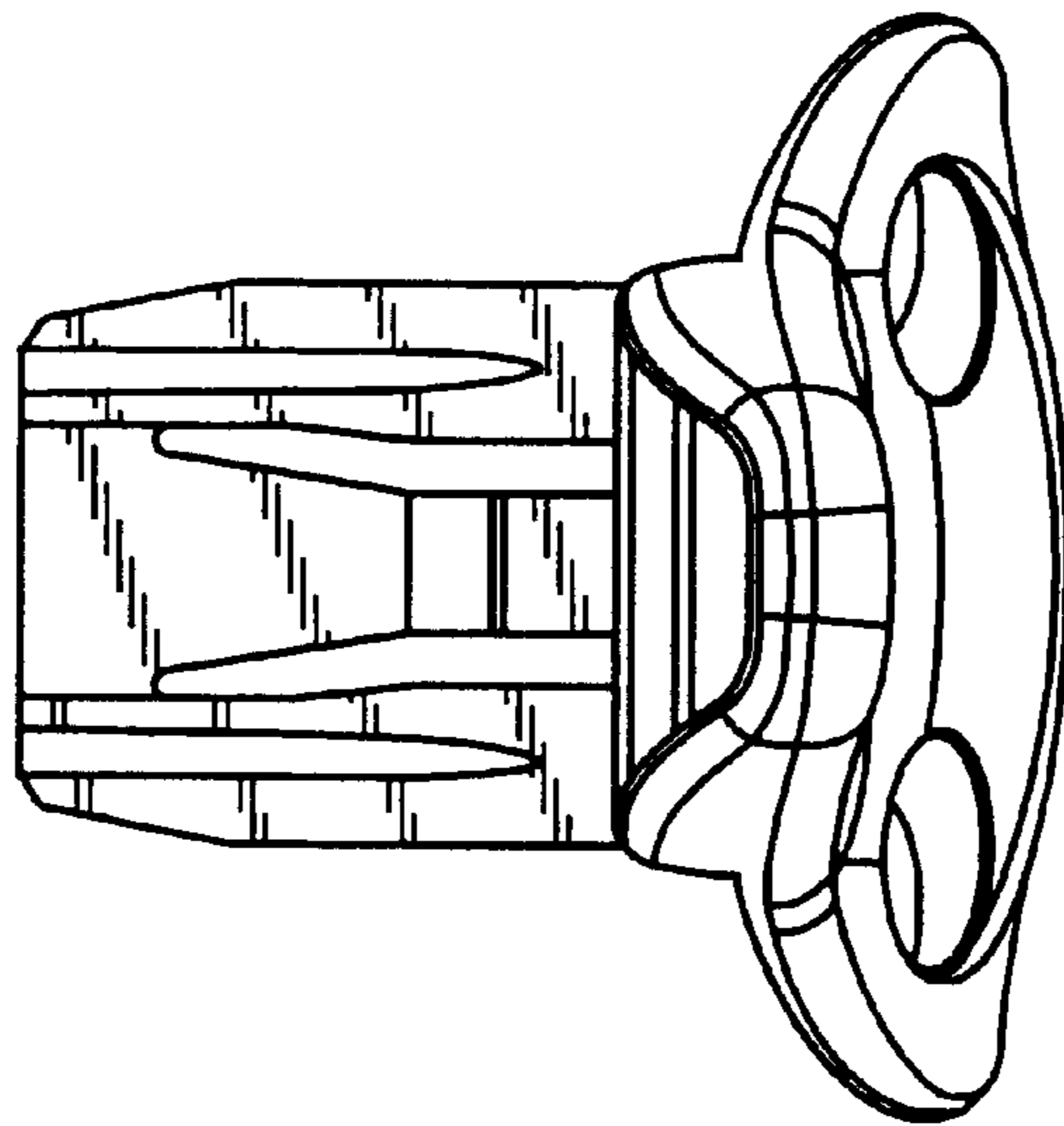


FIG. 13

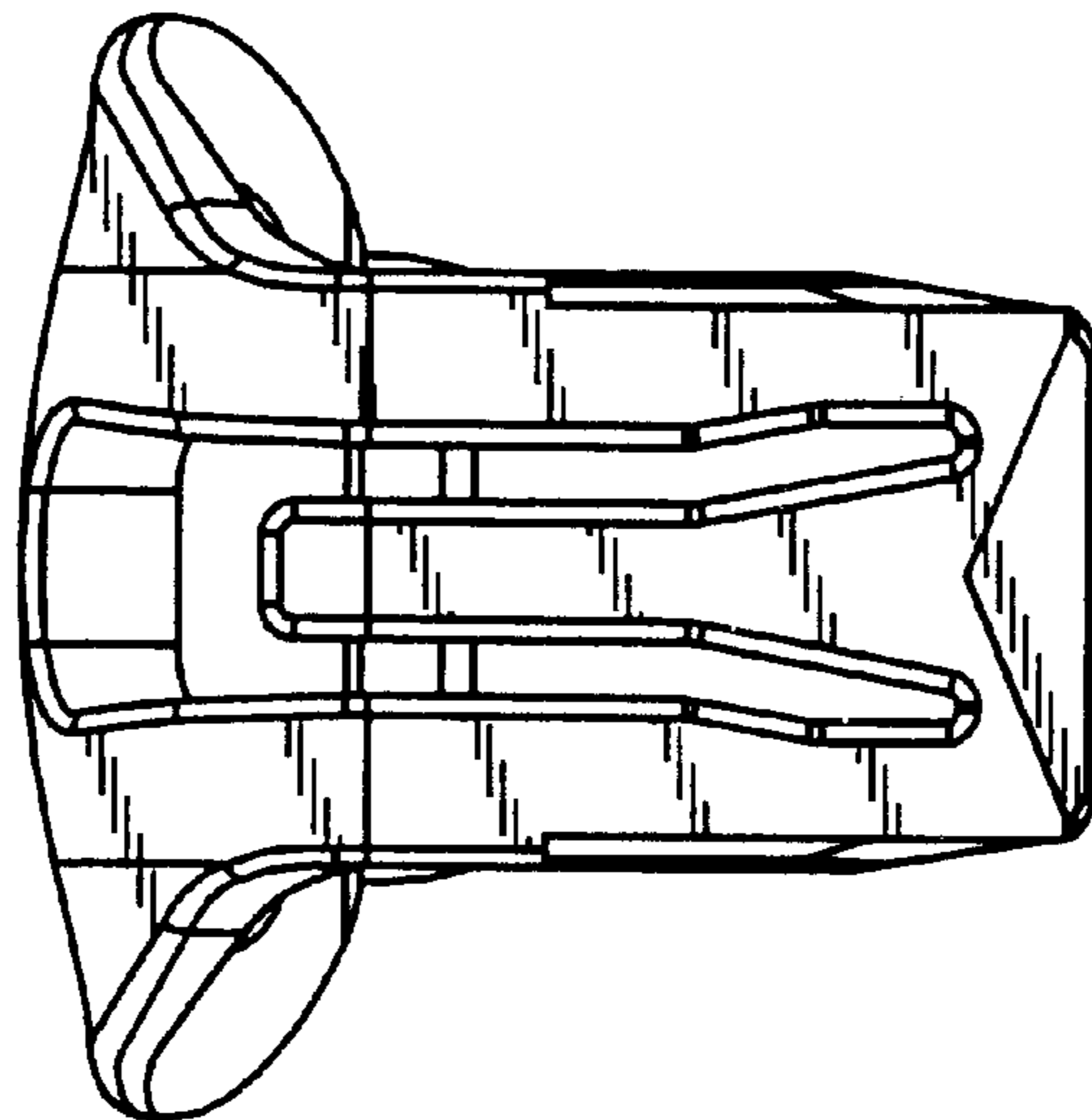


FIG. 14