



US00D474759S

(12) **United States Design Patent**
Zeitman

(10) **Patent No.:** **US D474,759 S**

(45) **Date of Patent:** **** May 20, 2003**

(54) **COMBINED RADIO, CASSETTE AND CD
PLAYER**

D408,412 S * 4/1999 Zeitman D14/168
D421,010 S * 2/2000 Zeitman D14/168
D432,113 S * 10/2000 Kokkinis D14/168
D434,024 S * 11/2000 Zeitman D14/168

(75) Inventor: **Josh Zeitman**, Brooklyn, NY (US)

* cited by examiner

(73) Assignee: **Lenox Electronics Corp.**, Brooklyn,
NY (US)

Primary Examiner—Nanda Bondade
(74) *Attorney, Agent, or Firm*—Burns, Doane, Swecker &
Mathis, L.L.P.

(**) Term: **14 Years**

(21) Appl. No.: **29/152,235**

(57) **CLAIM**

(22) Filed: **Dec. 19, 2001**

The ornamental design for a “combined radio, cassette and CD player”, as shown and described.

(51) **LOC (7) Cl.** **14-01**

(52) **U.S. Cl.** **D14/168**

DESCRIPTION

(58) **Field of Search** D14/135–136,
D14/156–157, 160–165, 167–168, 188,
193–198; 369/75.1, 75.2, 77.1, 77.2; 381/86,
120; 455/344, 346–351

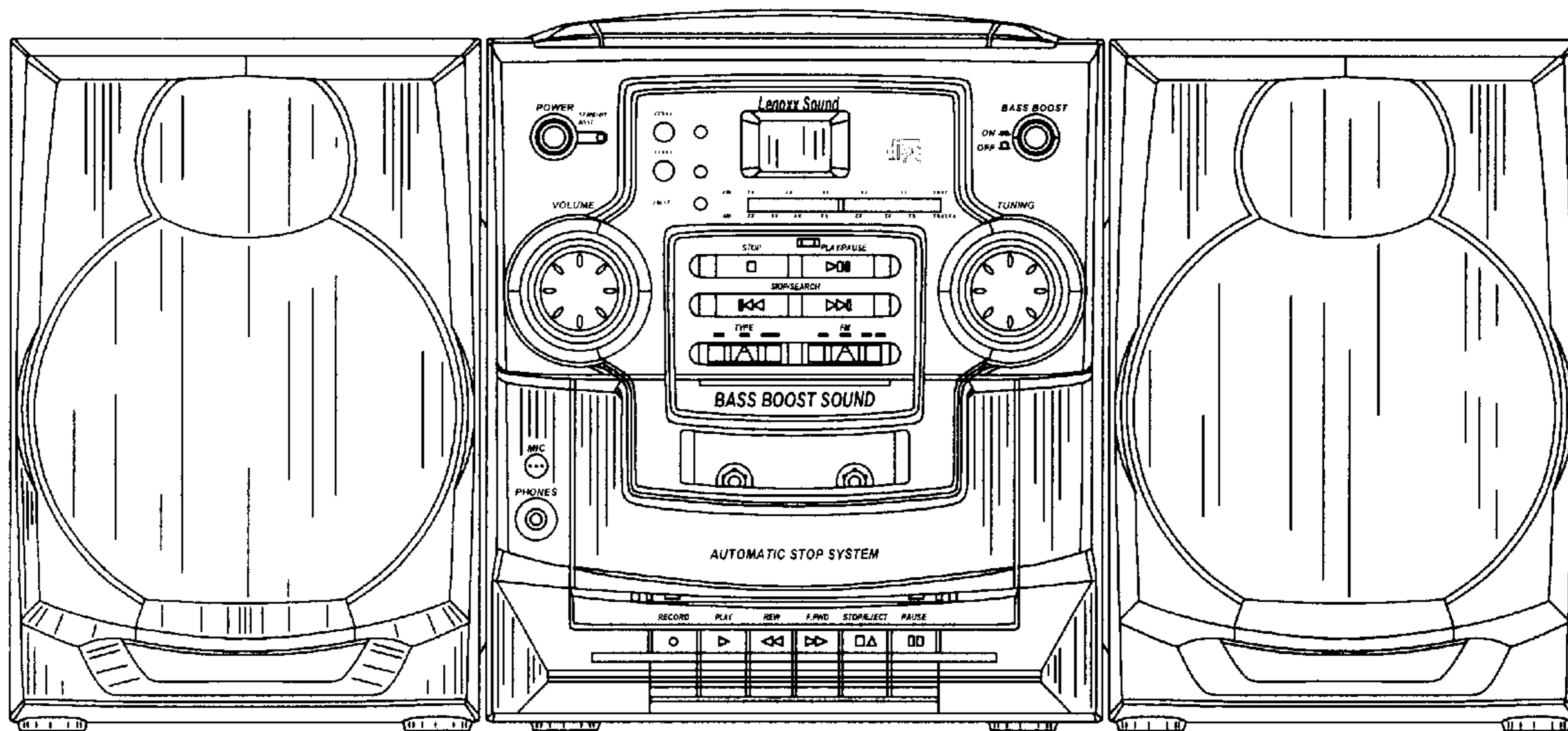
FIG. 1 is a front view of a “combined radio, cassette and CD player” showing my design;
FIG. 2 is a rear view thereof;
FIG. 3 is a left side view thereof;
FIG. 4 is a right side view thereof;
FIG. 5 is a top plan view thereof; and,
FIG. 6 is a bottom view thereof.

(56) **References Cited**

U.S. PATENT DOCUMENTS

D365,822 S * 1/1996 Ito et al. D14/168

1 Claim, 3 Drawing Sheets



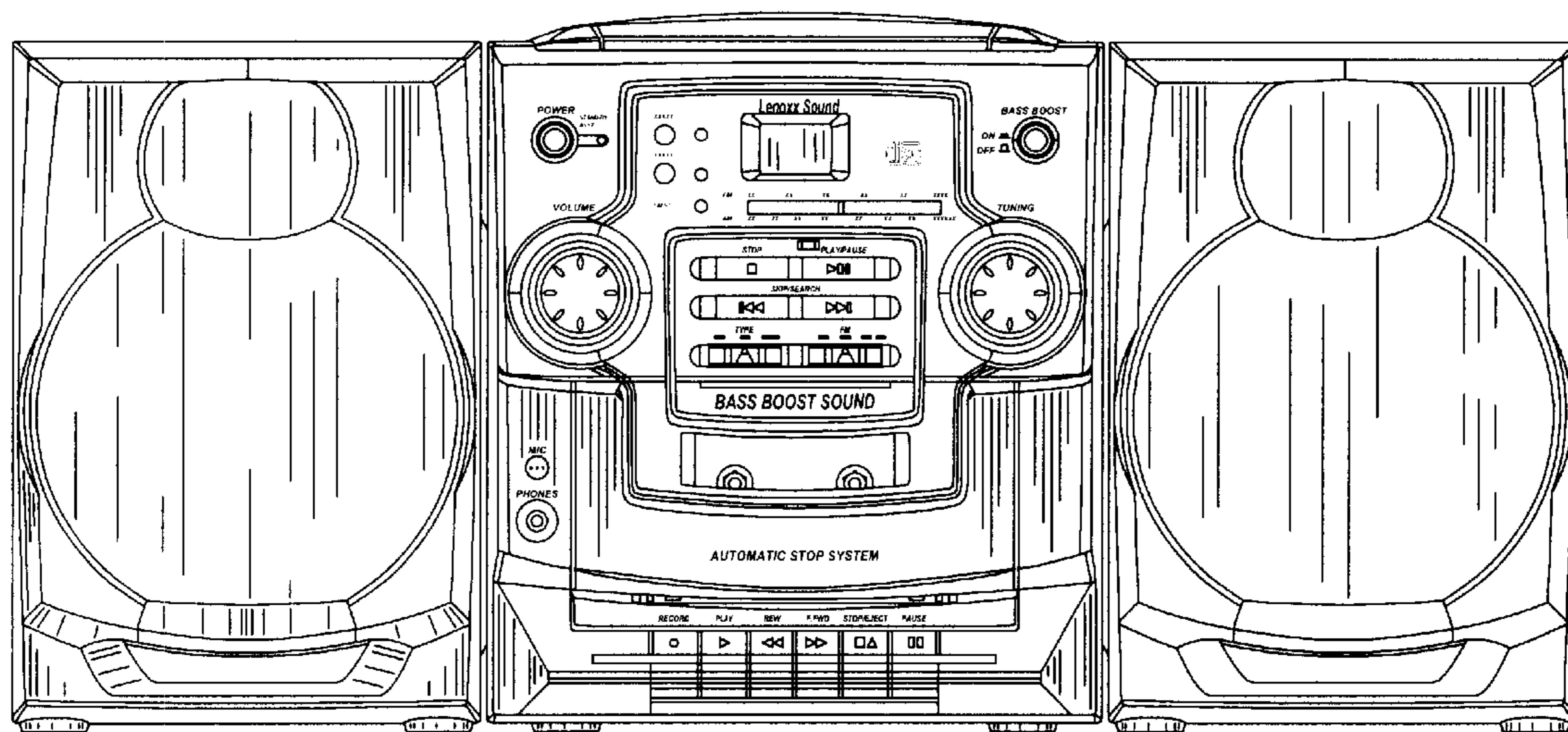


FIG. 1

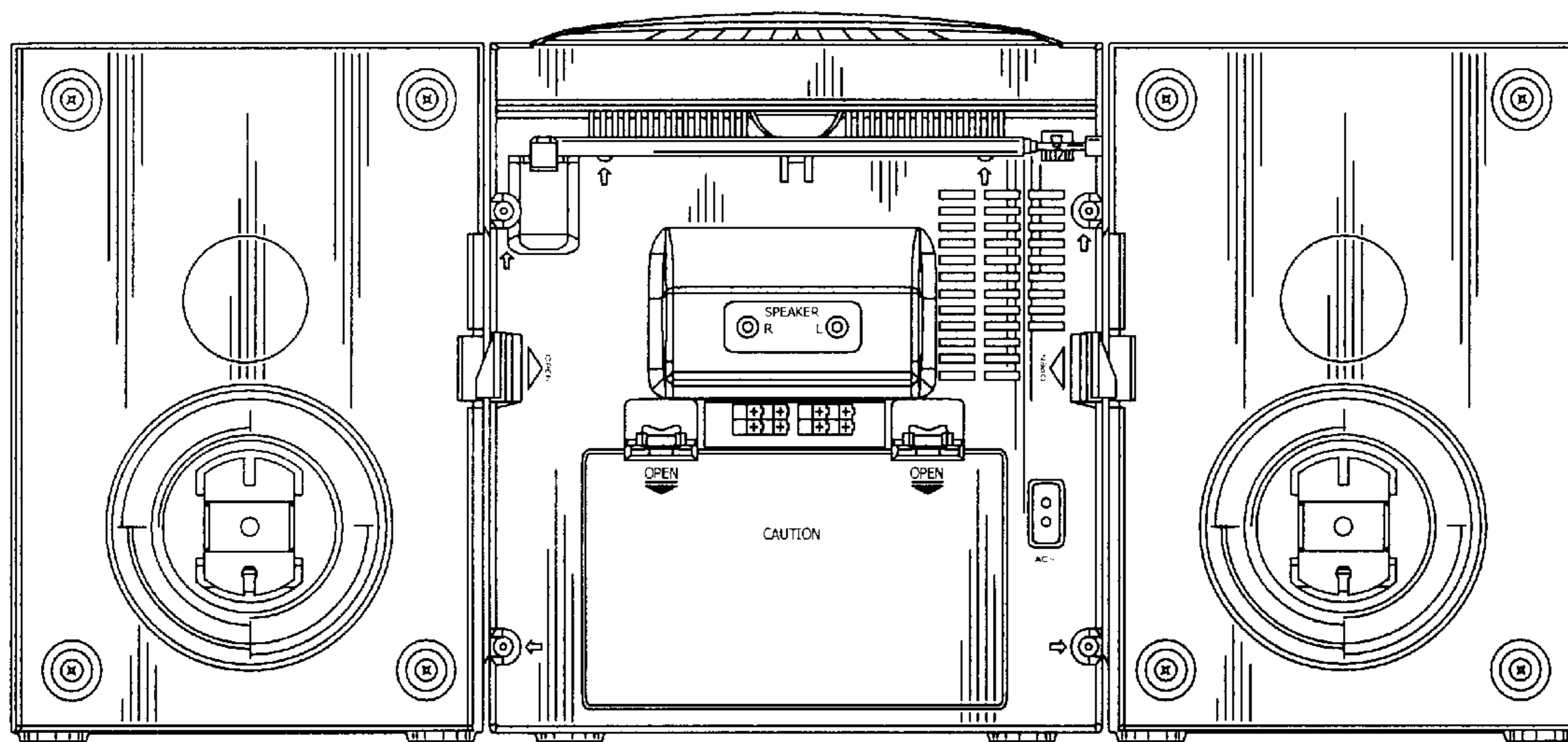


FIG. 2

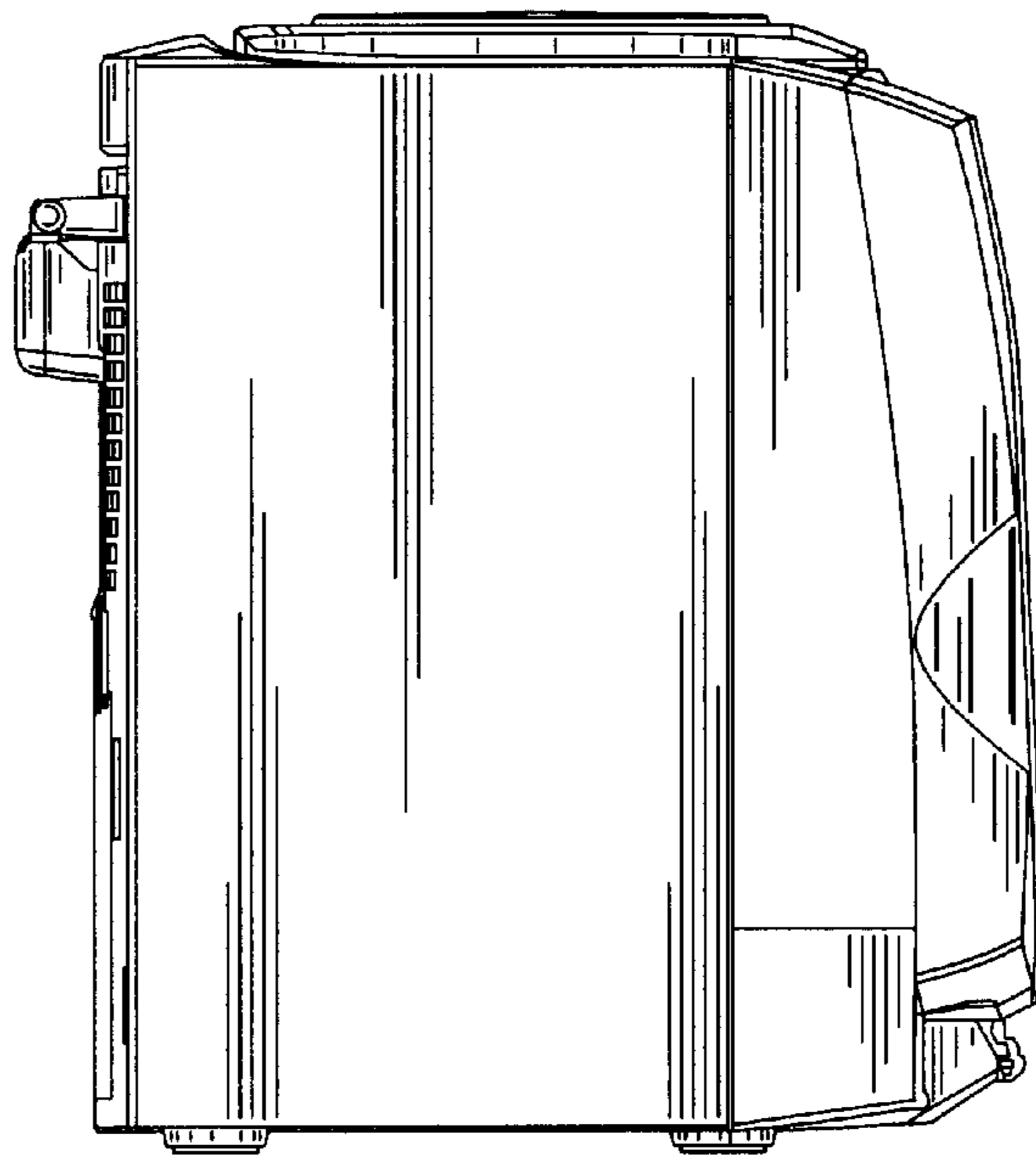


FIG. 3

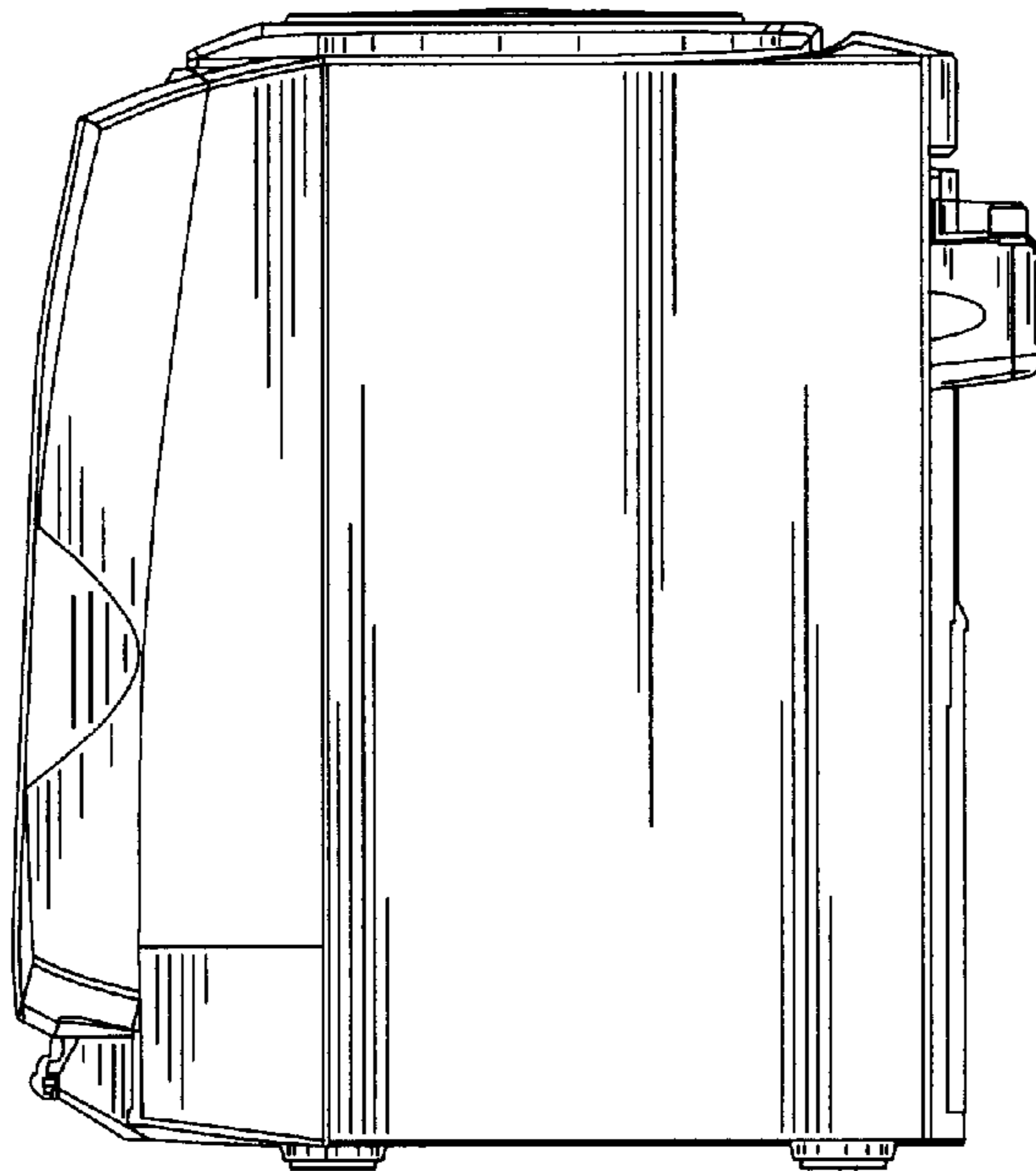


FIG. 4

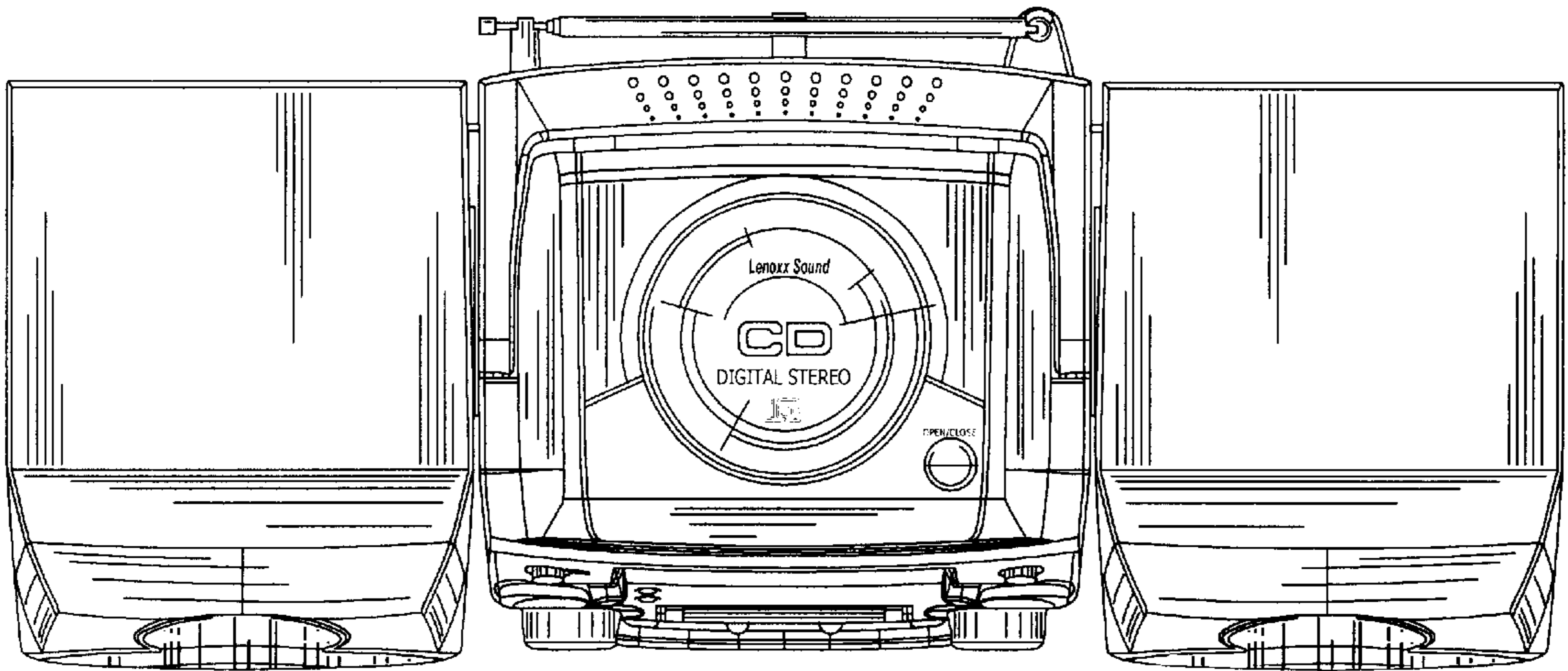


FIG. 5

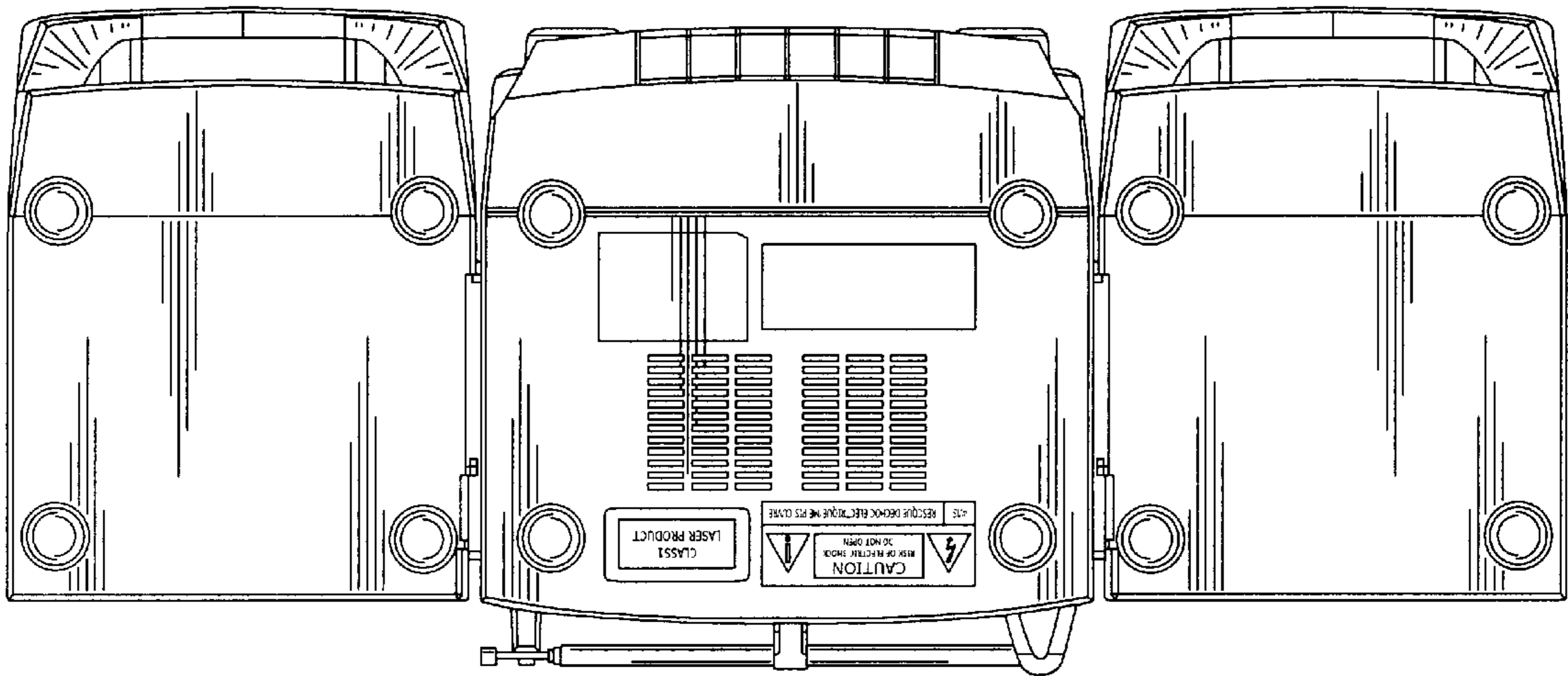


FIG. 6