



US00D474758S

(12) **United States Design Patent**  
**Shiono et al.**

(10) **Patent No.:** **US D474,758 S**

(45) **Date of Patent:** **\*\* May 20, 2003**

(54) **DISC PLAYER**

D449,589 S 10/2001 Ishibashi et al.

(75) Inventors: **Daisuke Shiono**, Tokyo (JP); **Shinpei Hirano**, Tokyo (JP)

**OTHER PUBLICATIONS**

(73) Assignee: **Sony Corporation**, Tokyo (JP)

Web Page "Sony Electronic, Sony online, WM-FS593",  
<http://www.sel.sony.com/SEL/consumer/ss./wlkmanrtm/sportwalkman/wm-fs593.shtml>, 1 sheet, Sony (Feb. 2002).

(\*\*) Term: **14 Years**

\* cited by examiner

(21) Appl. No.: **29/161,593**

*Primary Examiner*—Nanda Bondade

(22) Filed: **Jun. 4, 2002**

(74) *Attorney, Agent, or Firm*—Rader, Fishman & Grauer PLLC

(51) **LOC (7) Cl.** ..... **14-01**

(52) **U.S. Cl.** ..... **D14/156**

(58) **Field of Search** ..... D14/135-136,  
D14/156-157, 160-165, 167-168, 188,  
193-198, 257-258; 369/75.1, 75.2, 77.1,  
77.2; 455/344, 347, 350-351

(57) **CLAIM**

The ornamental design for a disc player, as shown.

(56) **References Cited**

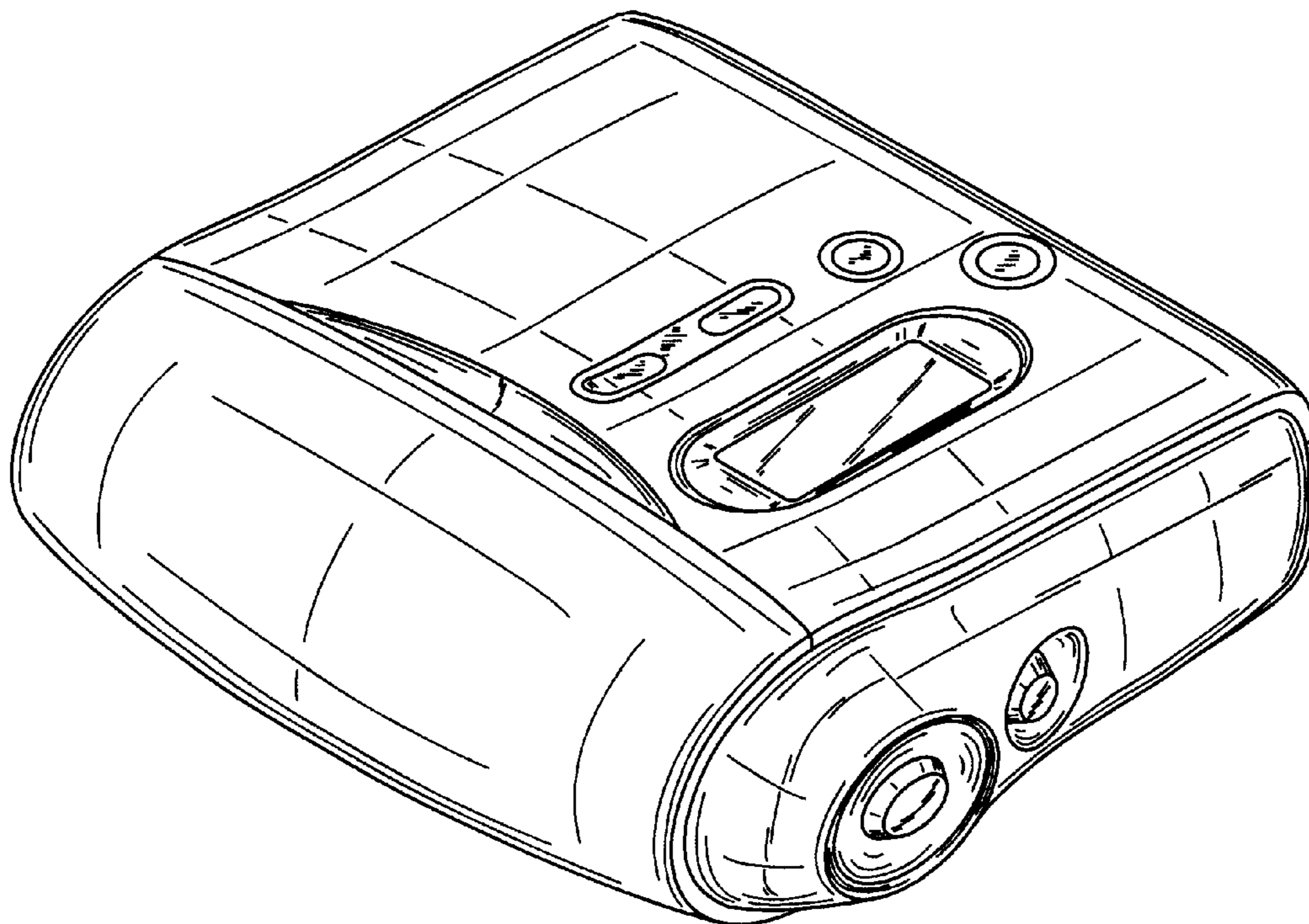
**DESCRIPTION**

**U.S. PATENT DOCUMENTS**

D412,908 S	*	8/1999	Ishii et al.	.....	D14/165
6,028,737 A	*	2/2000	Khuu	.....	369/77.2
D430,133 S		8/2000	Yuyama		
D431,543 S	*	10/2000	Yuyama	.....	D14/156
D435,536 S		12/2000	Ishibashi		
D445,776 S		7/2001	Ishii et al.		

FIG. 1 is a perspective view of a disc player showing our new design;  
FIG. 2 is a front elevational view thereof;  
FIG. 3 is a rear elevational view thereof;  
FIG. 4 is a left side elevational view thereof;  
FIG. 5 is a right side elevational view thereof;  
FIG. 6 is a top plan view thereof; and,  
FIG. 7 is a bottom plan view thereof.

**1 Claim, 4 Drawing Sheets**



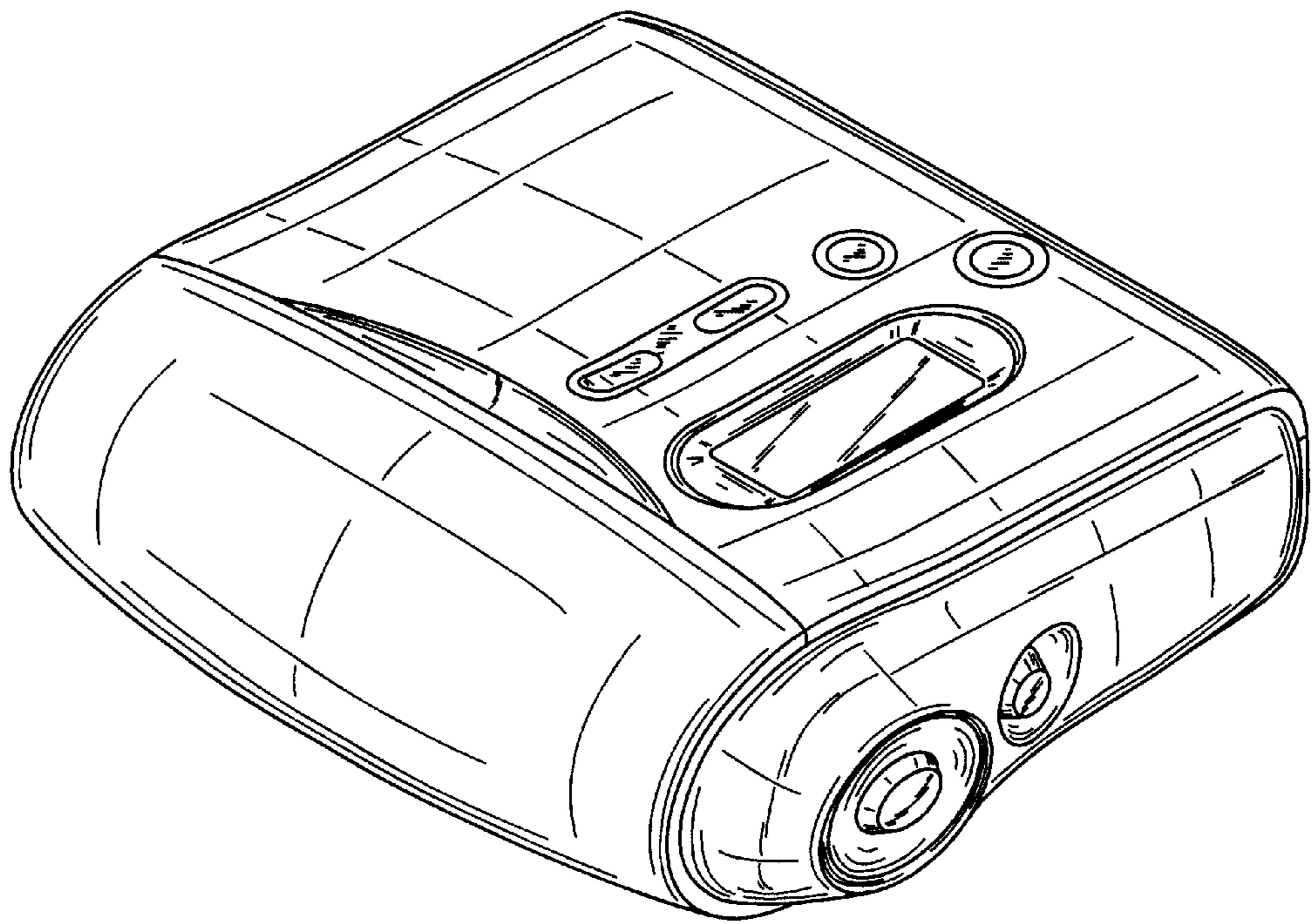
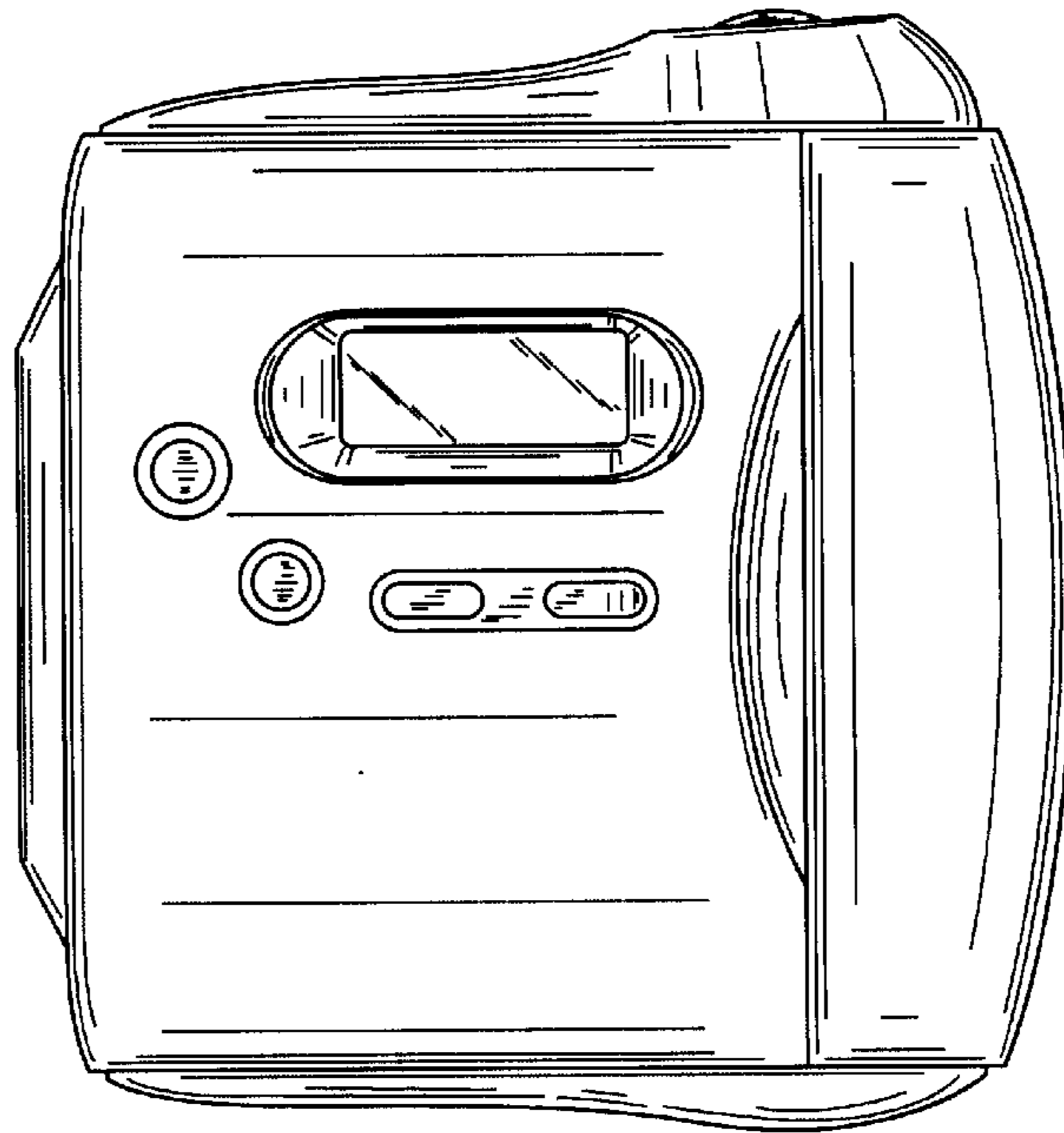
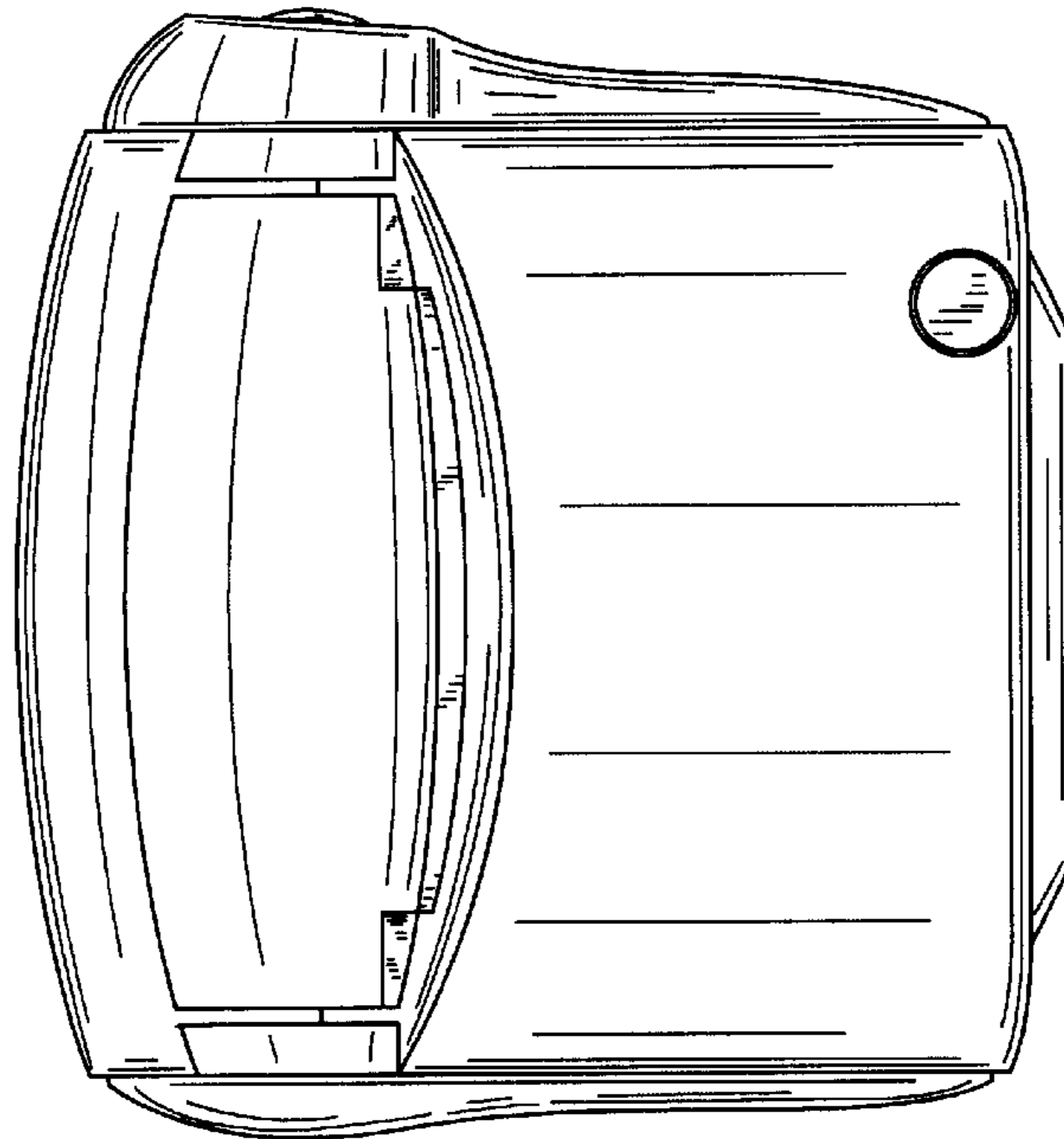


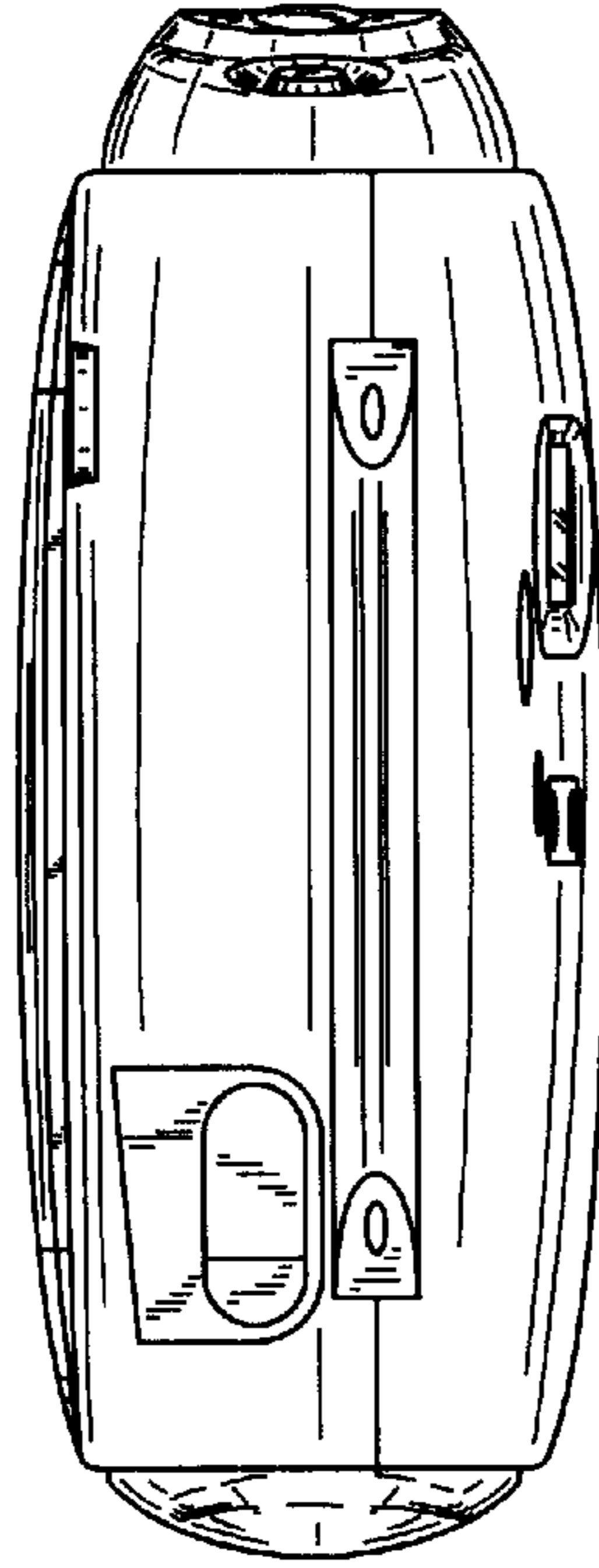
Fig. 1



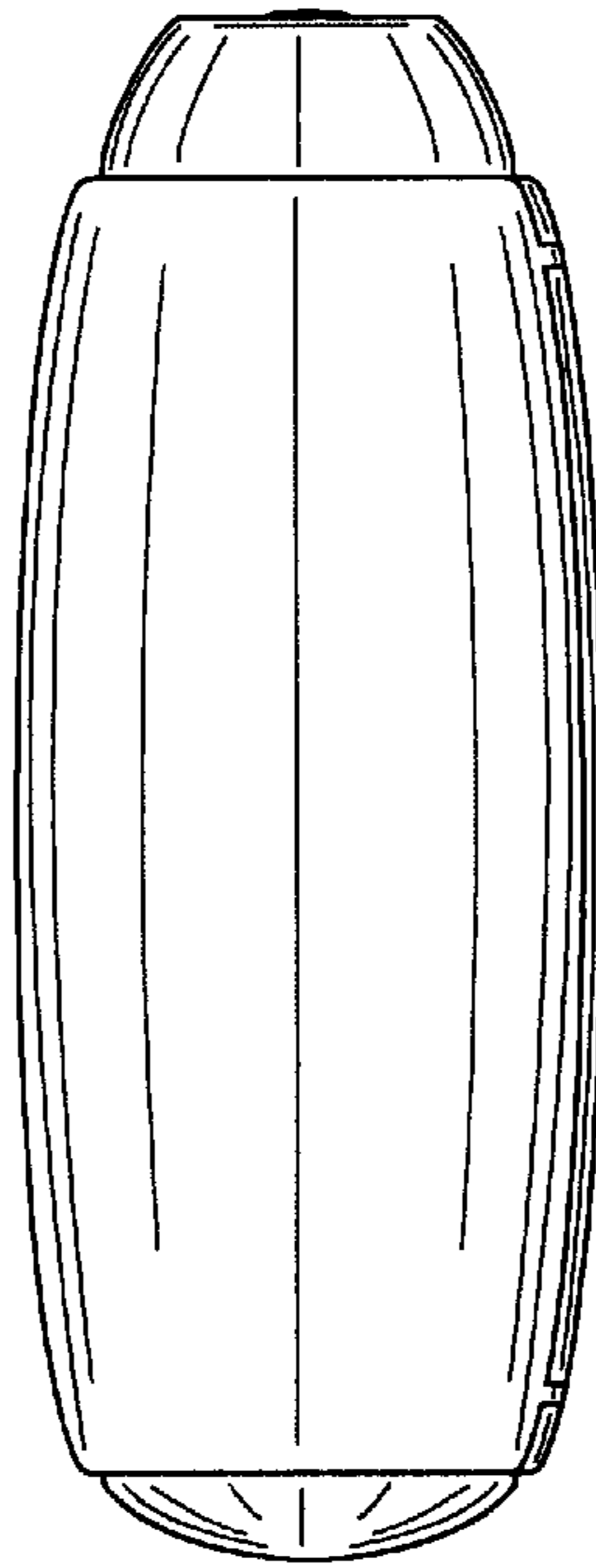
**Fig. 2**



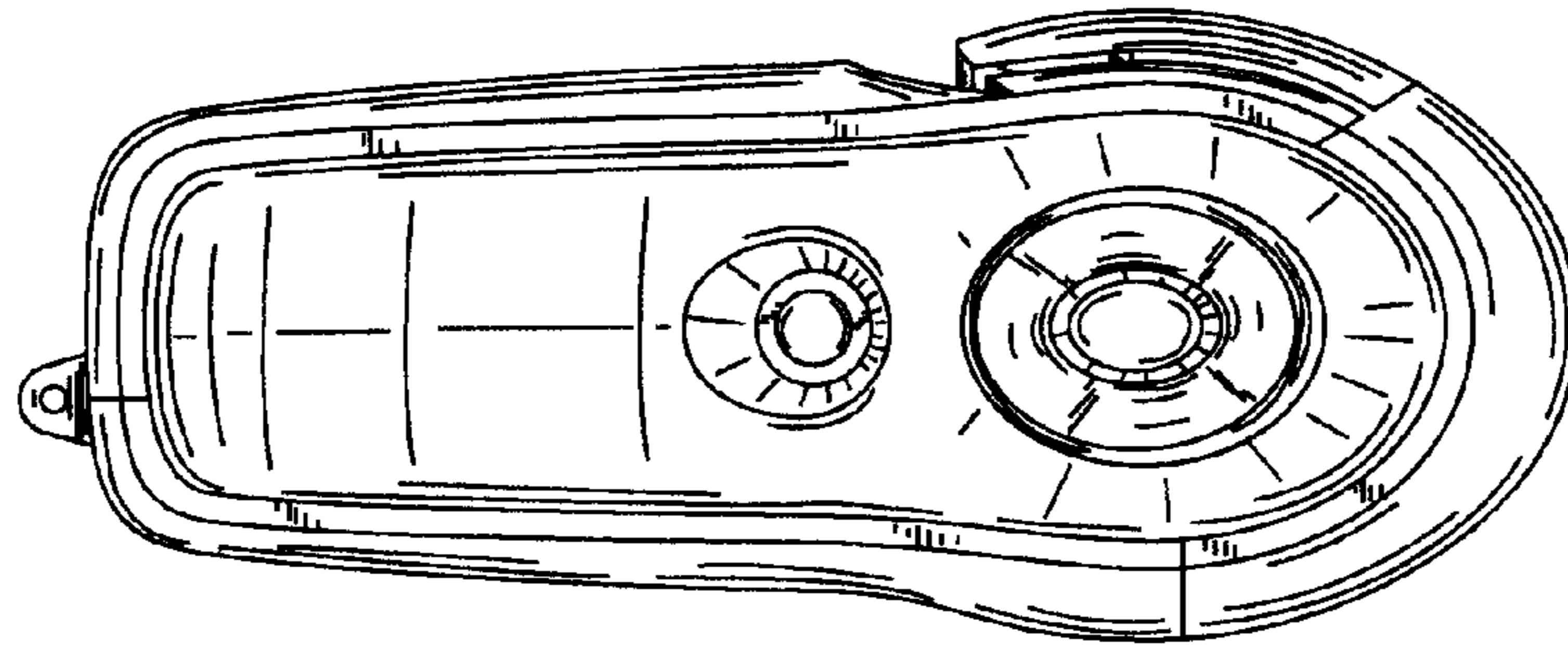
**Fig. 3**



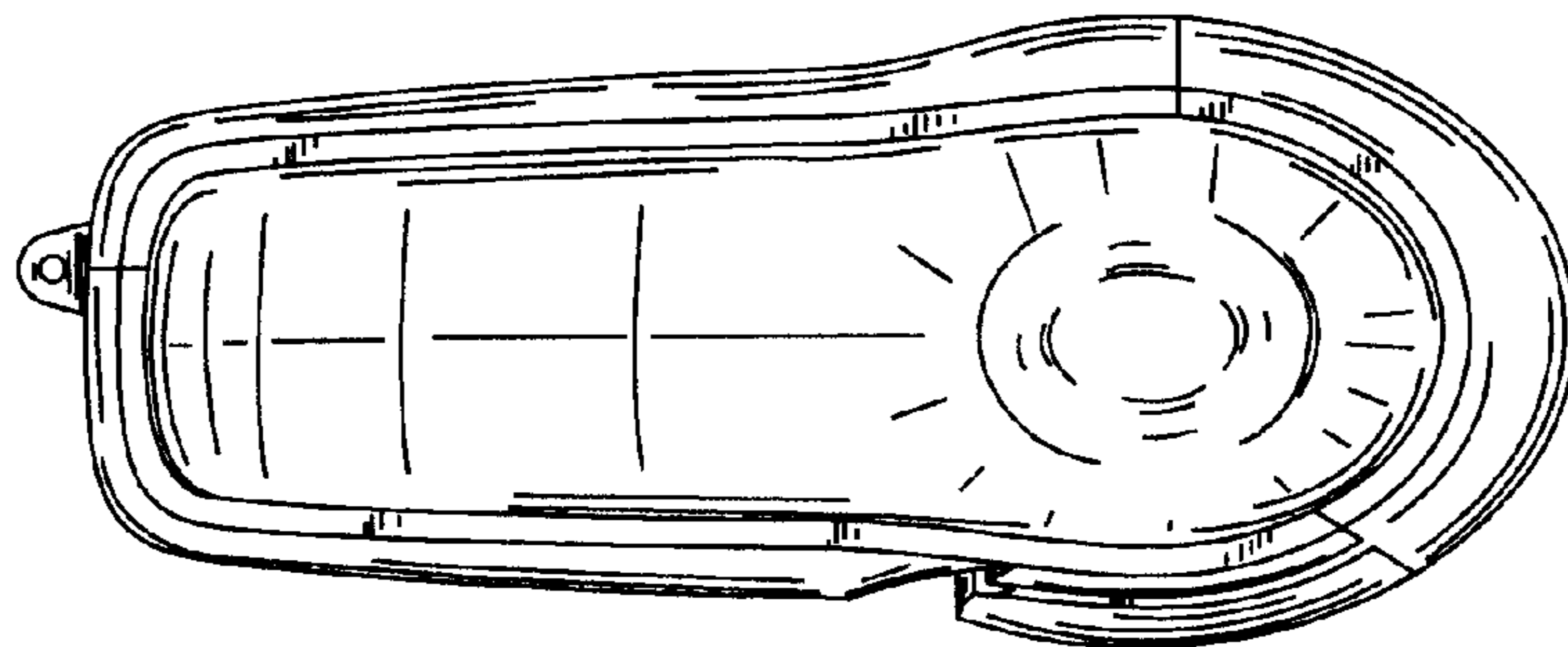
**Fig. 4**



**Fig. 5**



**Fig. 6**



**Fig. 7**