



US00D474755S

(12) **United States Design Patent**
Senda et al.

(10) **Patent No.:** **US D474,755 S**

(45) **Date of Patent:** **** May 20, 2003**

(54) **VIDEO TAPE RECORDER**

- (75) Inventors: **Tamotsu Senda**, Ehime (JP); **Koji Yukikado**, Ehime (JP)
- (73) Assignee: **Matsushita Electric Industrial Co., Ltd.**, Osaka (JP)
- (**) Term: **14 Years**

(21) Appl. No.: **29/150,428**
 (22) Filed: **Nov. 14, 2001**

- (51) **LOC (7) Cl.** **14-01**
- (52) **U.S. Cl.** **D14/135; D14/217**
- (58) **Field of Search** **D14/135-136, D14/156-157, 167-168, 188, 193-198, 257-258, 217; 369/75.1, 75.2, 77.1, 77.2; 455/344, 347, 350-351**

(56) **References Cited**

U.S. PATENT DOCUMENTS

D393,265 S	*	4/1998	Tokiyama et al.	D14/258
D408,037 S	*	4/1999	Althans et al.	D14/257
D440,547 S	*	4/2001	Hori et al.	D14/157
D446,510 S	*	8/2001	Hori et al.	D14/157

OTHER PUBLICATIONS

HV-BH55, *Mitsubishi Electric Corporation Catalogue*, Aug. 1999.

* cited by examiner

Primary Examiner—Nanda Bondade
(74) *Attorney, Agent, or Firm*—Christensen O'Connor Johnson Kindness PLLC

(57) **CLAIM**

The ornamental design for a video tape recorder, as shown and described.

DESCRIPTION

FIG. 1 is a perspective view of the top, front and right side of a video tape recorder showing our new design;
 FIG. 2 is a front view thereof;
 FIG. 3 is a rear view thereof;
 FIG. 4 is a left side view thereof;
 FIG. 5 is a right side view thereof;
 FIG. 6 is a top plan view thereof; and,
 FIG. 7 is a bottom plan view thereof.

1 Claim, 3 Drawing Sheets

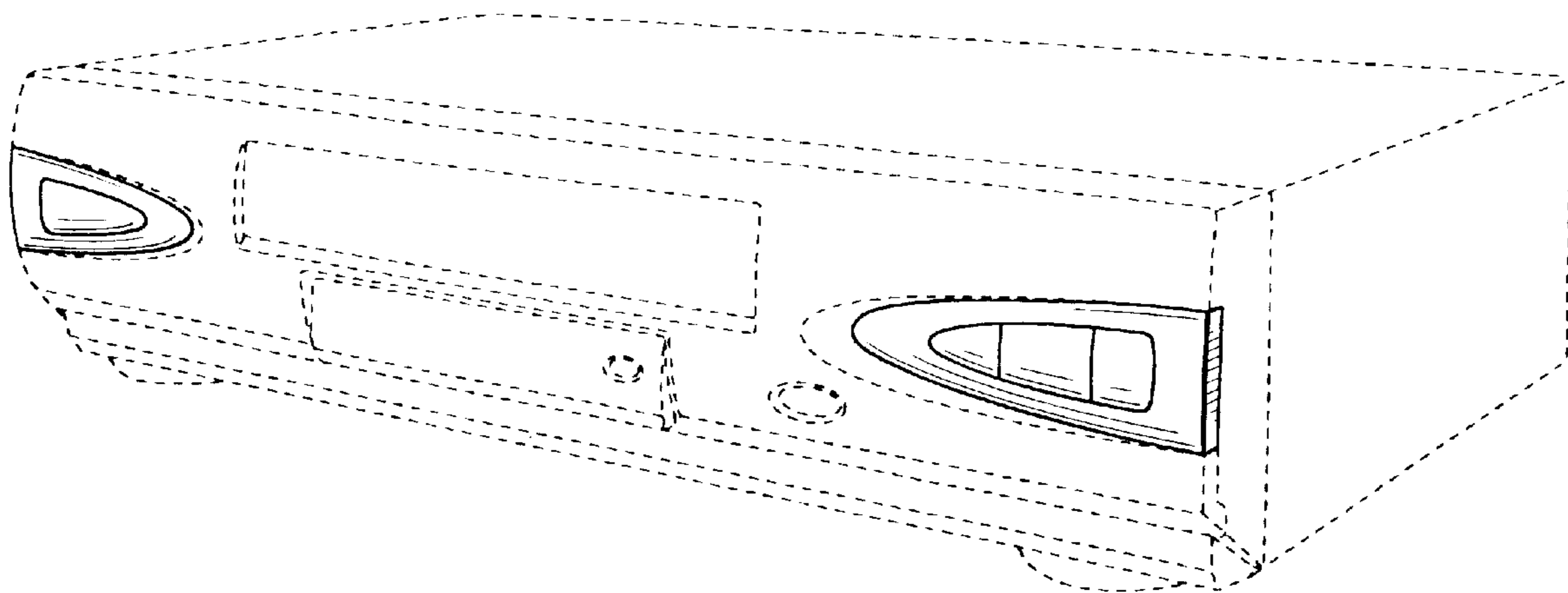


FIG. 1

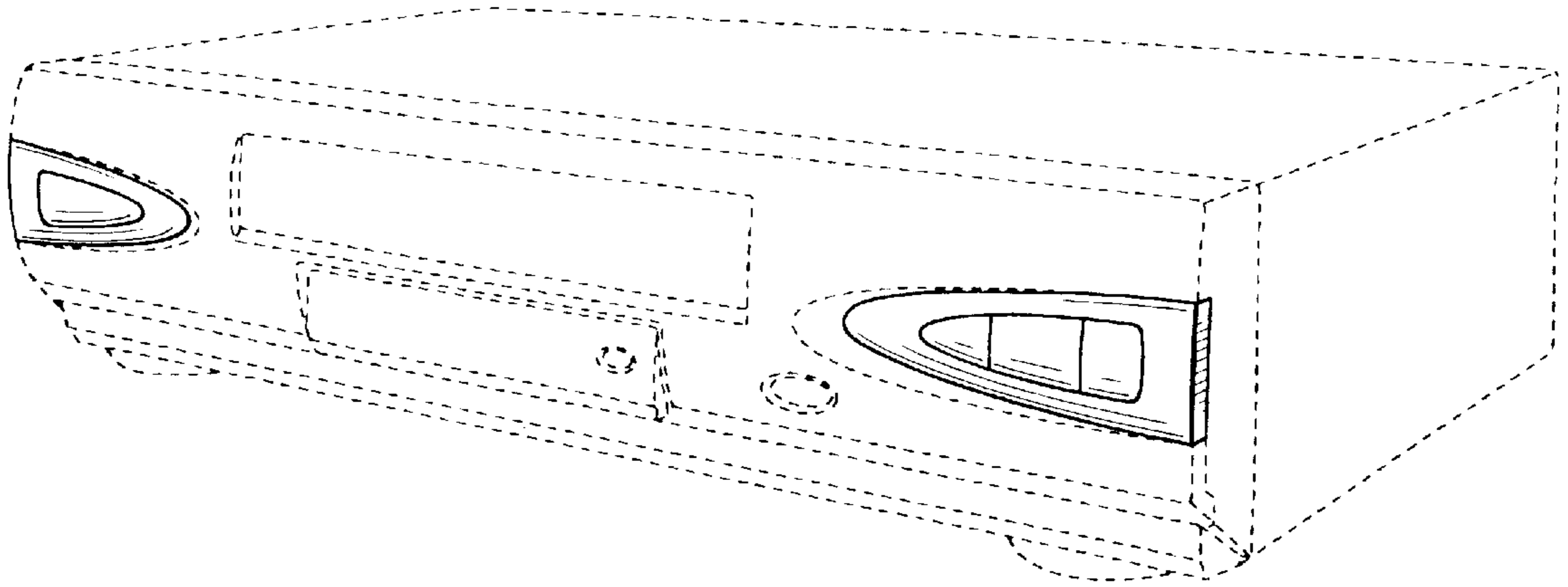


FIG. 2

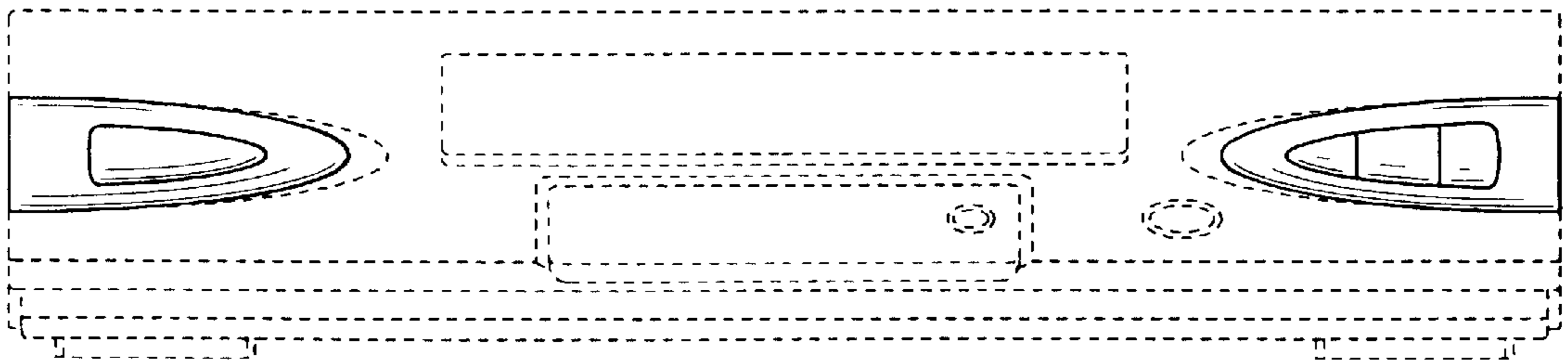


FIG. 3



FIG. 4

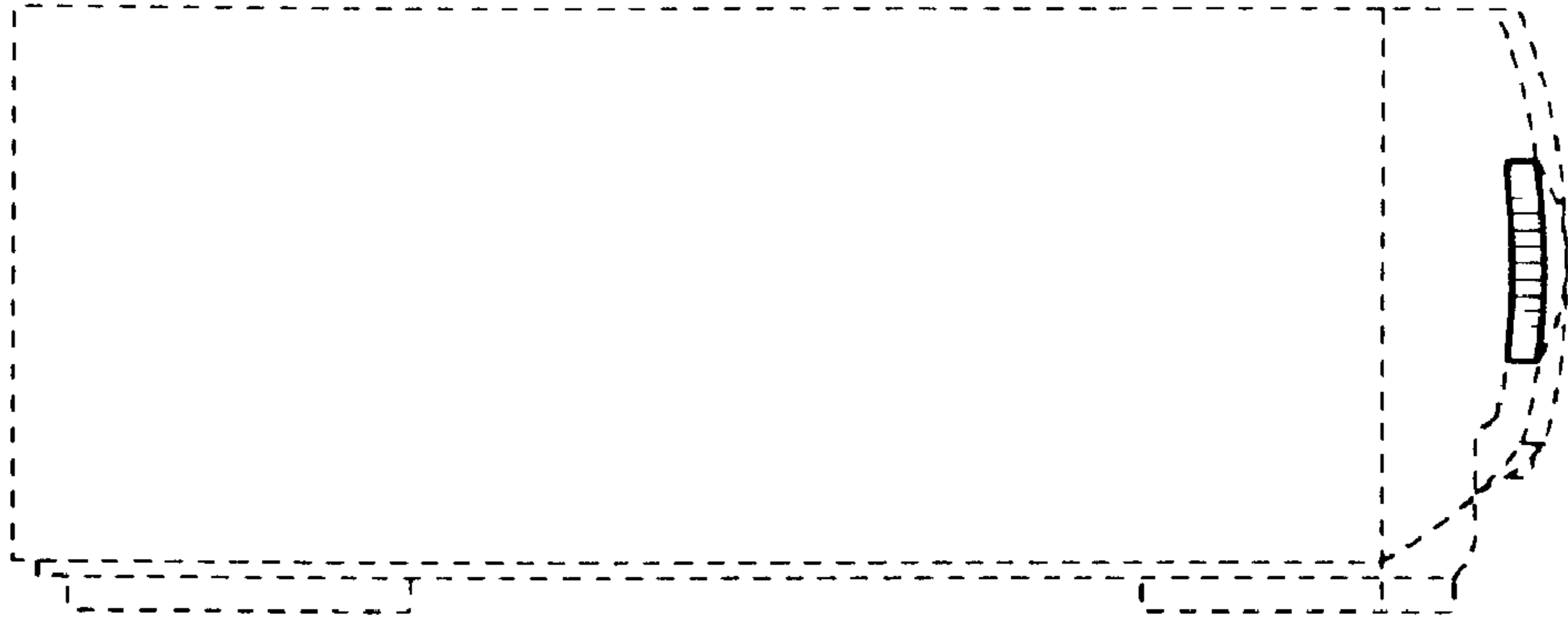


FIG. 5



FIG. 6

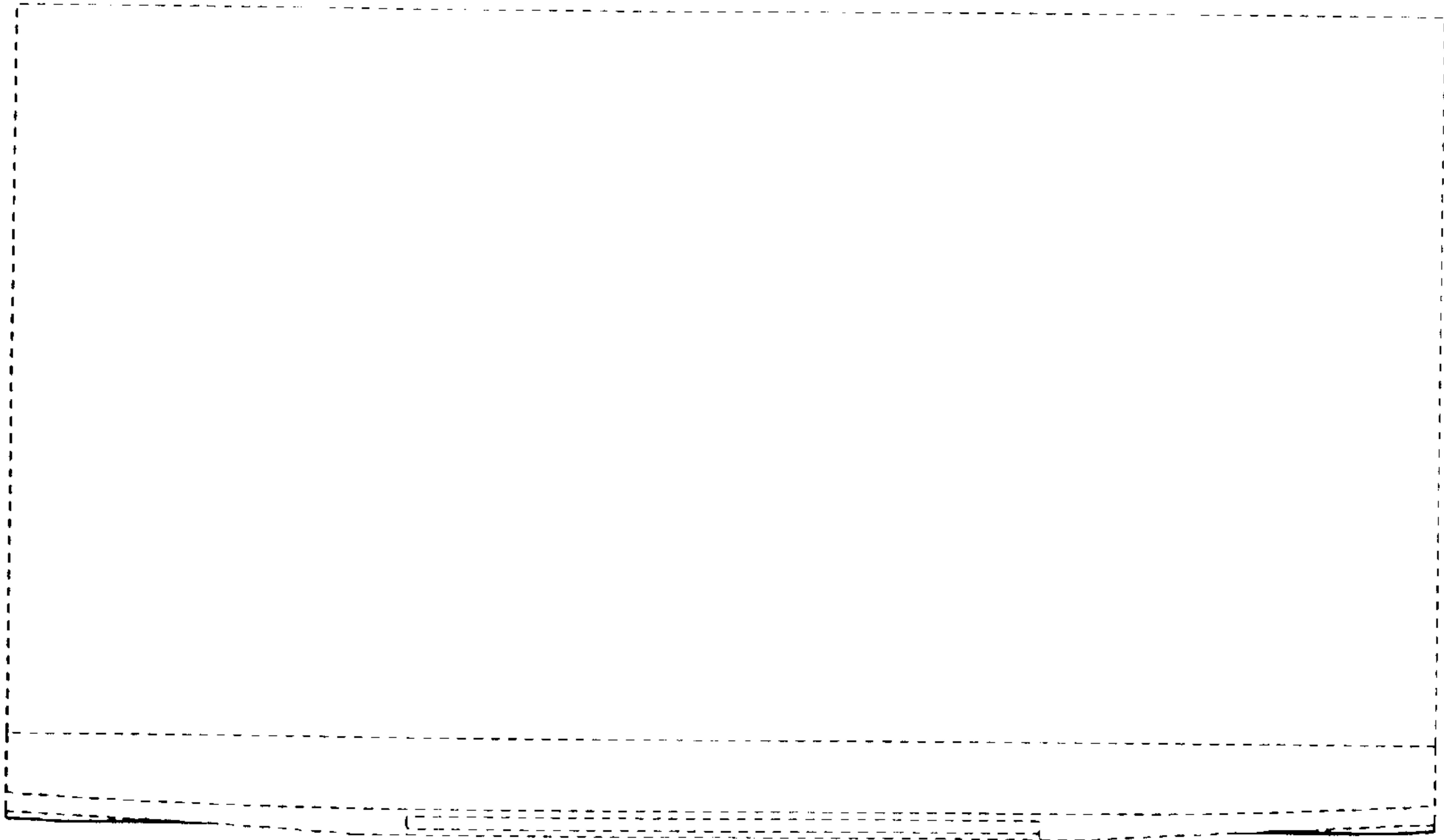


FIG. 7

