



US00D474753S

(12) **United States Design Patent**
Blum et al.

(10) **Patent No.:** **US D474,753 S**

(45) **Date of Patent:** **** May 20, 2003**

(54) **COMMUNICATION CONTROL DEVICE**

(75) Inventors: **Rod Blum**, Sandy, OR (US); **Phil Straw**, El Granada, CA (US)

(73) Assignee: **MobileAria**, Mountain View, CA (US)

(**) Term: **14 Years**

(21) Appl. No.: **29/154,609**

(22) Filed: **Jan. 22, 2002**

(51) **LOC (7) Cl.** **13-03**

(52) **U.S. Cl.** **D13/168**

(58) **Field of Search** D10/104, 106;
D14/191, 192, 218; D12/415, 177, 213;
D13/162, 164, 168; 70/256, 257; 307/10.1,
10.2; 340/825.39, 825.36, 825.69, 825.72,
425.5, 426

(56) **References Cited**

U.S. PATENT DOCUMENTS

- D204,249 S * 4/1966 Jorgensen D12/177
- 4,405,924 A * 9/1983 Shinoda et al.
- 5,278,547 A * 1/1994 Suman et al. 340/825.32
- D351,596 S * 10/1994 Pierotti et al. D14/192
- 5,463,371 A * 10/1995 Fuller 340/426
- D381,009 S * 7/1997 Nagata D13/168

- 5,847,664 A * 12/1998 Zamplas et al. 341/20
- 5,949,149 A * 9/1999 Shitanaka et al. 307/10.1
- 6,243,003 B1 * 6/2001 DeLine et al. 340/425.5
- D454,547 S * 3/2002 Lin D13/168
- D461,458 S * 8/2002 Lin D13/168
- D465,469 S * 11/2002 Heath D14/167

* cited by examiner

Primary Examiner—Ted Shooman

Assistant Examiner—Selina Sikder

(74) *Attorney, Agent, or Firm*—Burns, Doane, Swecker & Mathis, L.L.P.

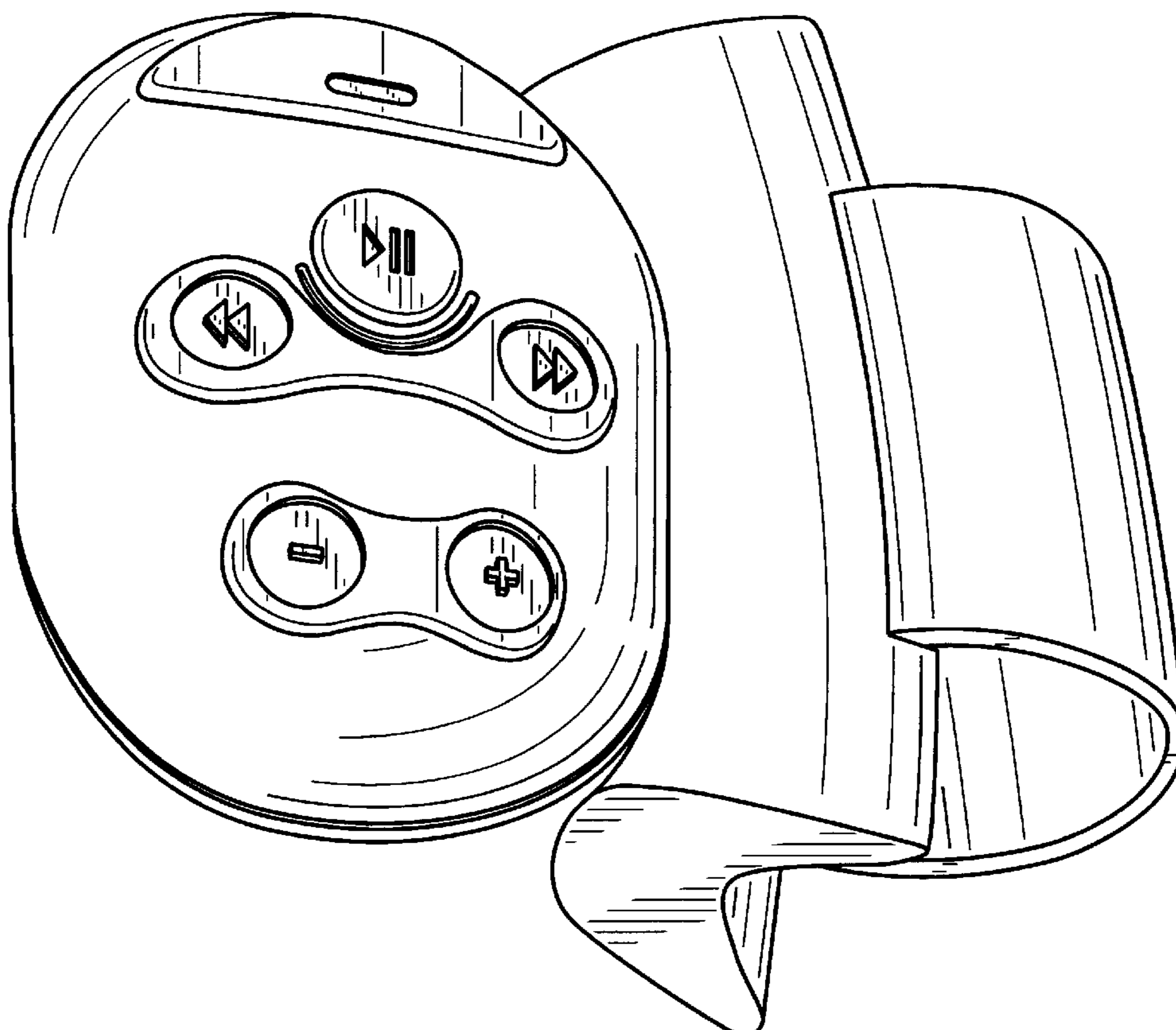
(57) **CLAIM**

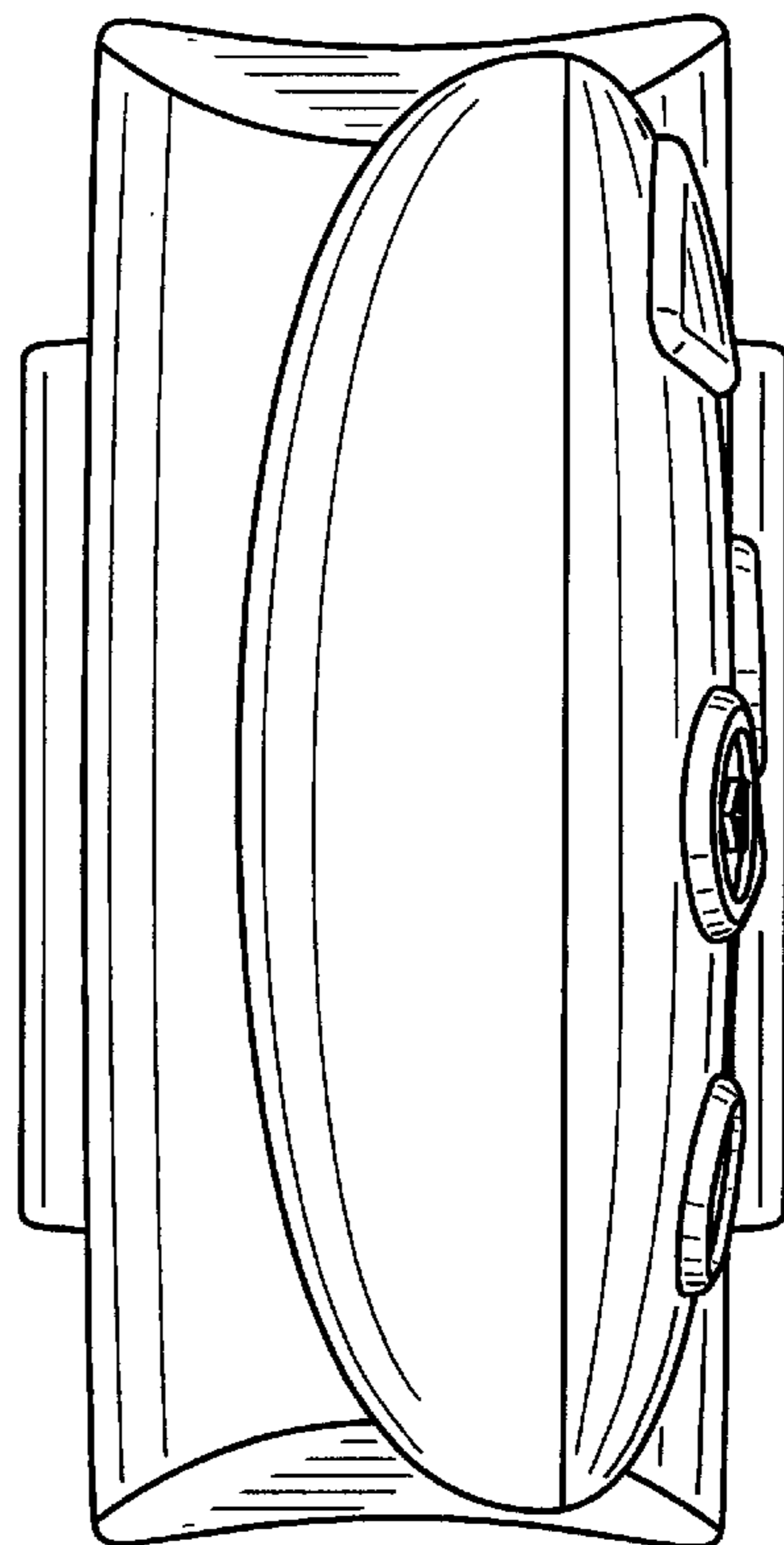
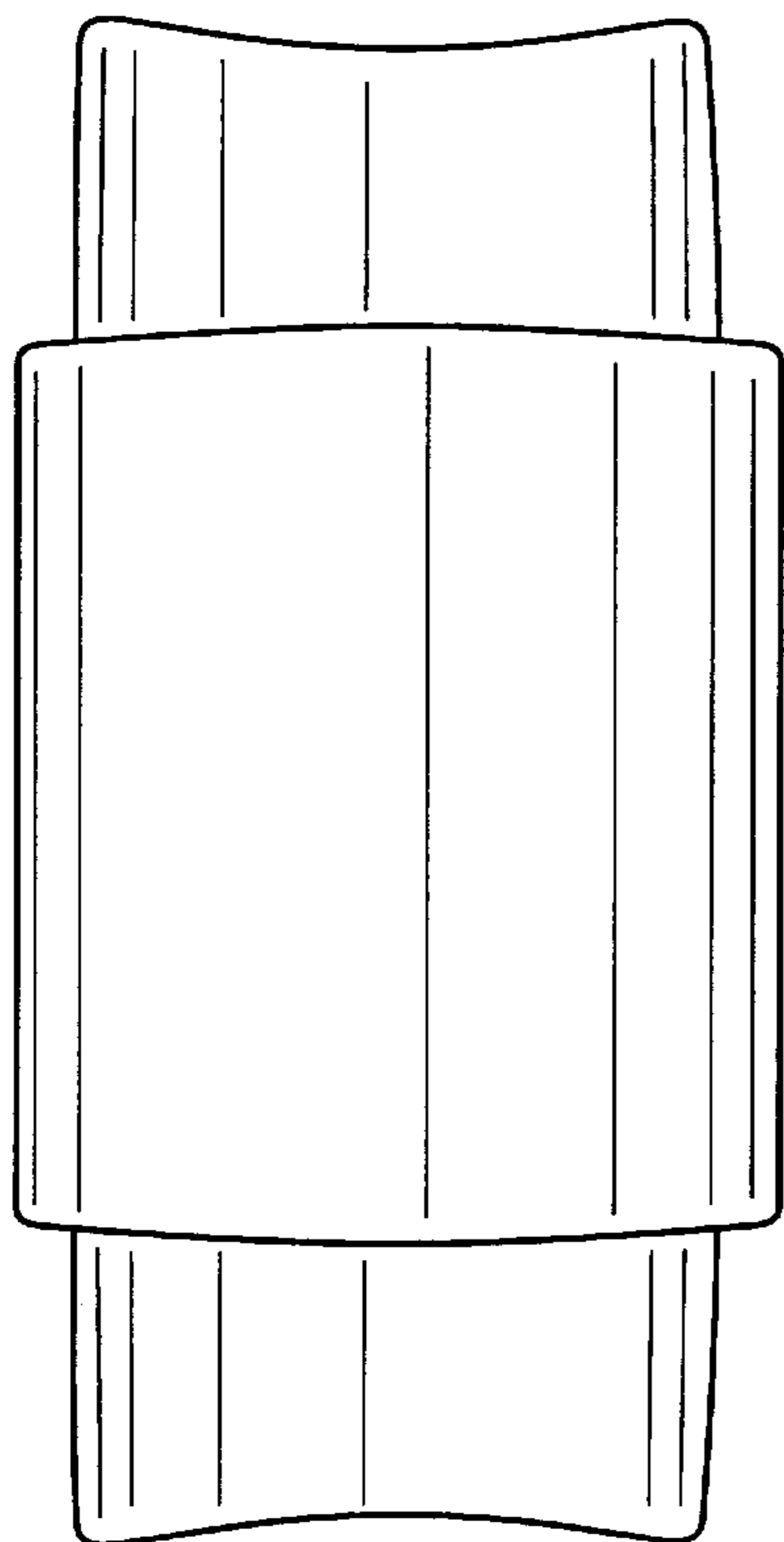
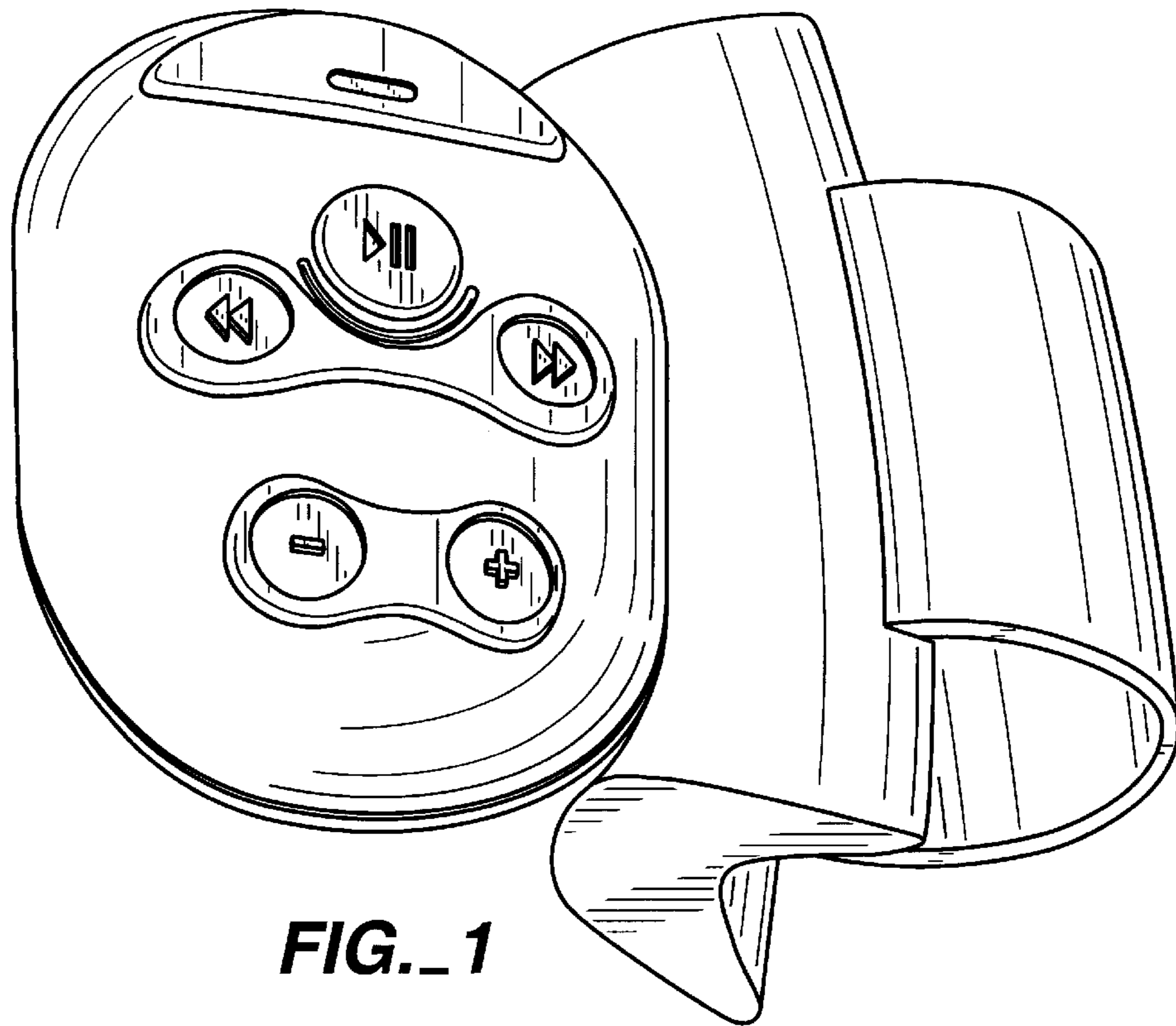
The ornamental design for a communication control device, as shown and described.

DESCRIPTION

FIG. 1 is a perspective view of a communication control device;
 FIG. 2 is a top plan view thereof;
 FIG. 3 is a right elevation view thereof;
 FIG. 4 is a bottom plan view thereof;
 FIG. 5 is a left elevation view thereof;
 FIG. 6 is a back elevation view thereof; and,
 FIG. 7 is a front elevation view thereof.

1 Claim, 3 Drawing Sheets





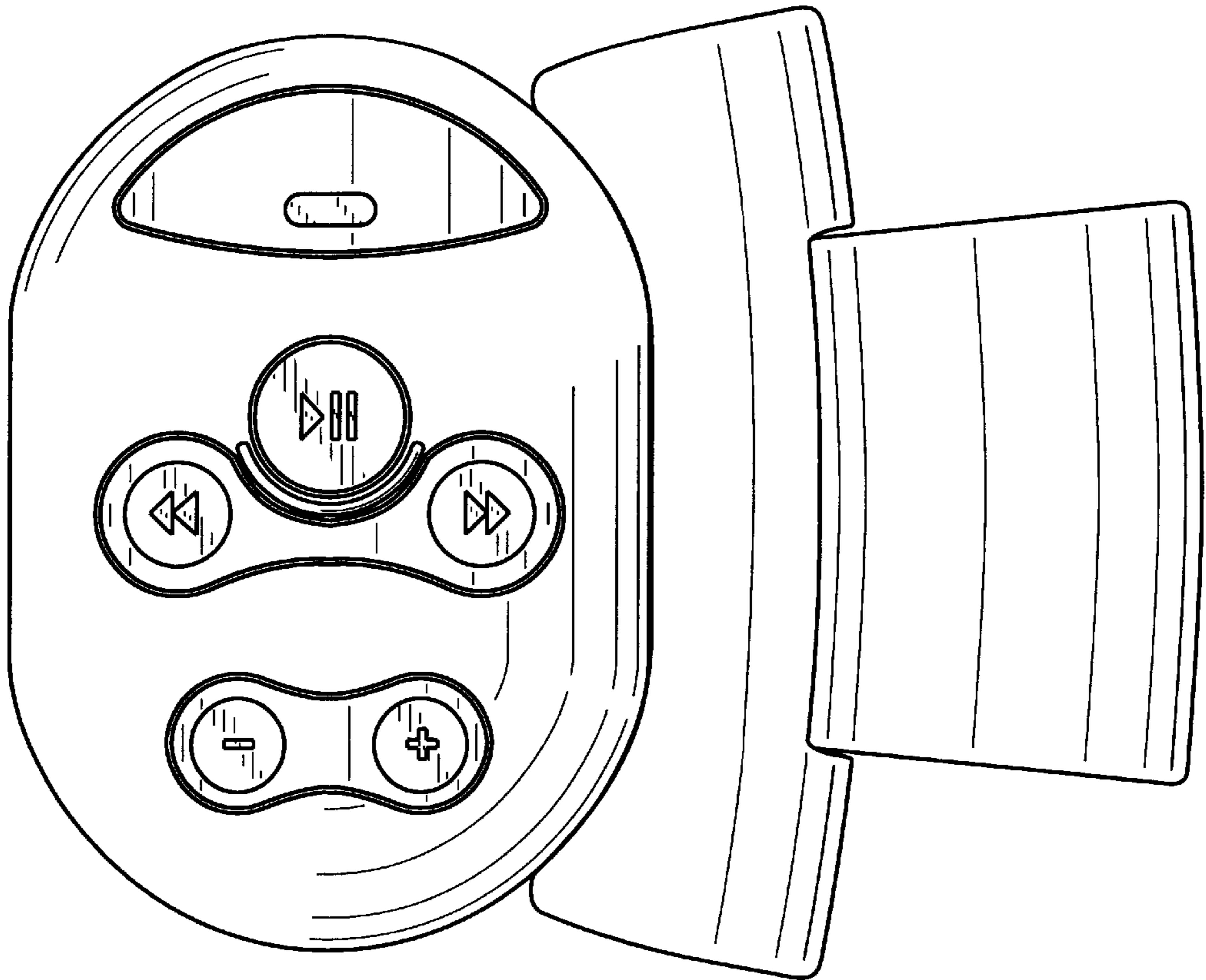


FIG._2

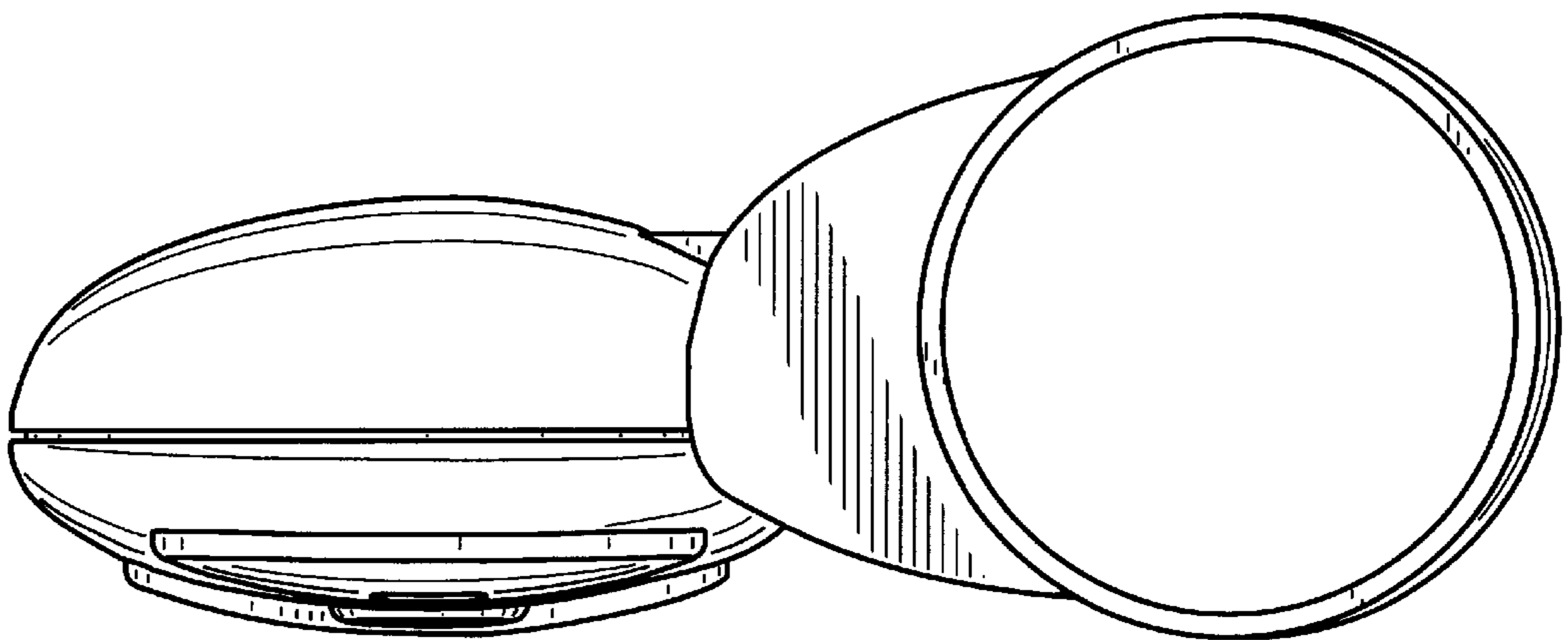


FIG._6

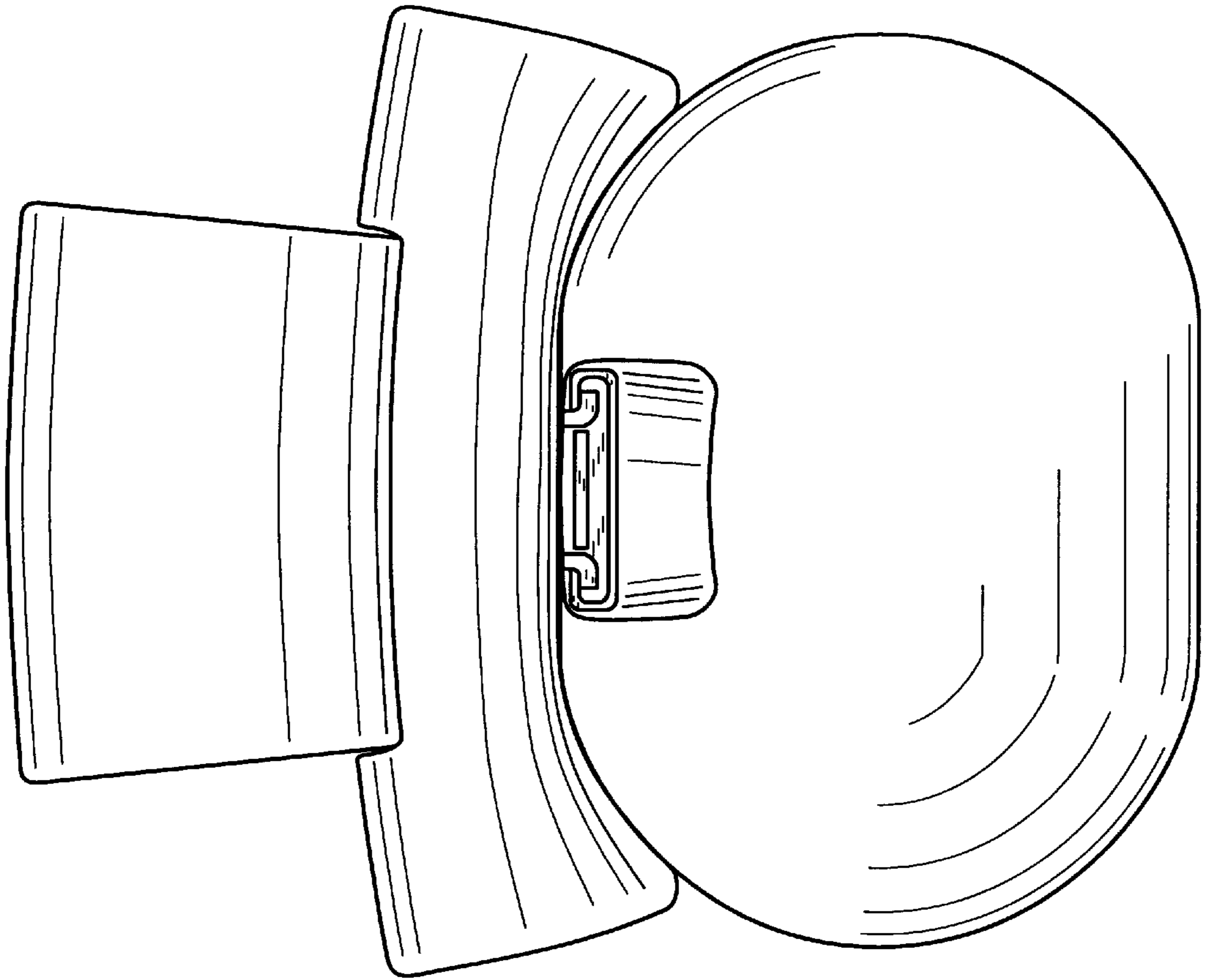


FIG. 4

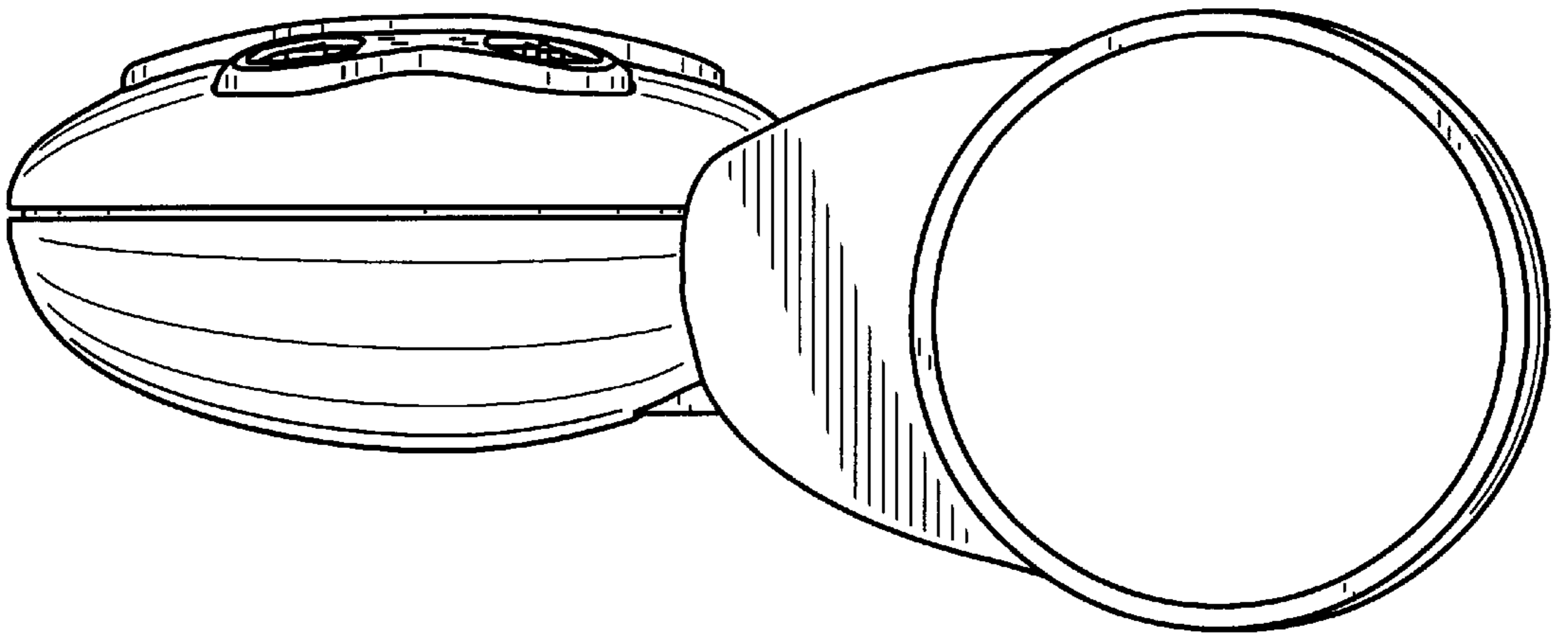


FIG. 7