



US00D474751S

(12) **United States Design Patent**
Yoshida et al.

(10) **Patent No.:** **US D474,751 S**

(45) **Date of Patent:** **** May 20, 2003**

(54) **ELECTRIC TRANSFER SWITCH**

(75) Inventors: **Katsuhiro Yoshida**, Sakahogi-machi (JP); **Hisayuki Nagase**, Nagoya (JP)

(73) Assignee: **Kabushiki Kaisha ISE**, Tokyo (JP)

(**) Term: **14 Years**

(21) Appl. No.: **29/155,093**

(22) Filed: **Feb. 5, 2002**

(30) **Foreign Application Priority Data**

Oct. 22, 2001 (JP) 2001-030816

(51) **LOC (7) Cl.** **13-03**

(52) **U.S. Cl.** **D13/160**

(58) **Field of Search** D13/160, 178;
174/53, 65 R, 77 R, 92; 200/5 R, 400,
401, 293, 302.3, 303, 304; 335/8-10, 16,
18, 20, 172, 202; 361/42, 44, 45, 50, 115

(56) **References Cited**

U.S. PATENT DOCUMENTS

3,999,103	A	*	12/1976	Misencik et al.	361/45
4,686,600	A	*	8/1987	Morris et al.	361/45
5,453,723	A	*	9/1995	Fello et al.	335/18
5,481,235	A	*	1/1996	Heise et al.	335/18
5,552,755	A	*	9/1996	Fello et al.	335/18
6,255,923	B1	*	7/2001	Mason, Jr. et al.	335/18
6,487,057	B1	*	11/2002	Natili	361/42

* cited by examiner

Primary Examiner—Ted Shooman

Assistant Examiner—Selink Sikder

(74) *Attorney, Agent, or Firm*—Jacobson Holman PLLC

(57) **CLAIM**

We claim the ornamental design for the electric transfer switch, as shown and described.

DESCRIPTION

FIG. 1 is a front elevational view of the electric transfer switch in the neutral position embodying our design; FIG. 2 is a back elevational view of the electric transfer switch as shown in FIG. 1; FIG. 3 is a top plan view of the electric transfer switch as shown in FIG. 1; FIG. 4 is a bottom plan view of the electric transfer switch as shown in FIG. 1; FIG. 5 is a right side elevational view of the electric transfer switch as shown in FIG. 1; FIG. 6 is a left side elevational view of the electric transfer switch as shown in FIG. 1; FIG. 7 is a front perspective view of the electric transfer switch as shown in FIG. 1; FIG. 8 is a cross sectional view of the electric transfer switch along with the line VIII—VIII in FIG. 3; FIG. 9 is a cross sectional view of the electric transfer switch along with the line IX—IX in FIG. 3; FIG. 10 is a front elevational view of the electric transfer switch as shown in FIG. 1 in the first closed position; and, FIG. 11 is a front elevational view of the electric transfer switch as shown in FIG. 1 at the second closed position.

1 Claim, 9 Drawing Sheets

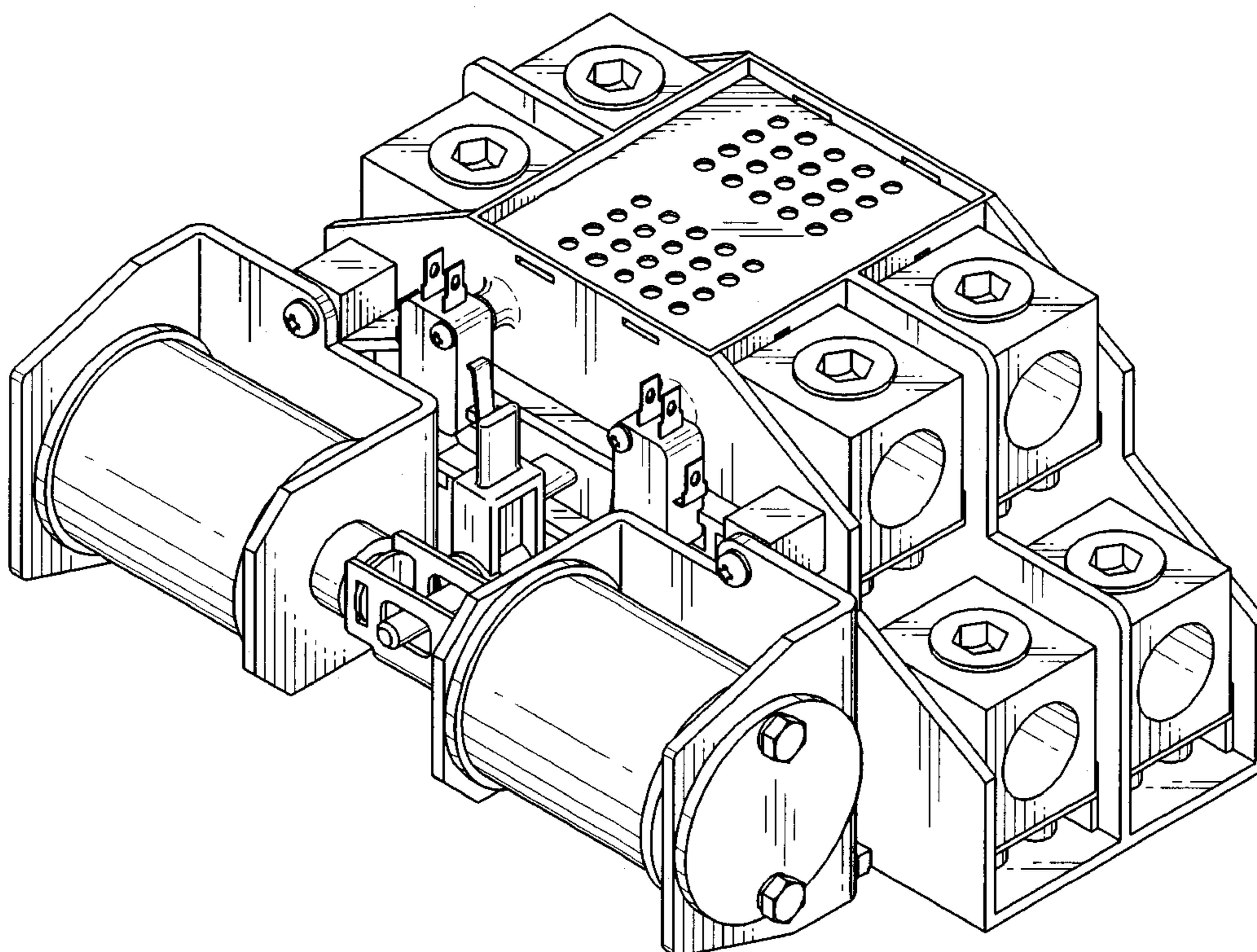


FIG. 1

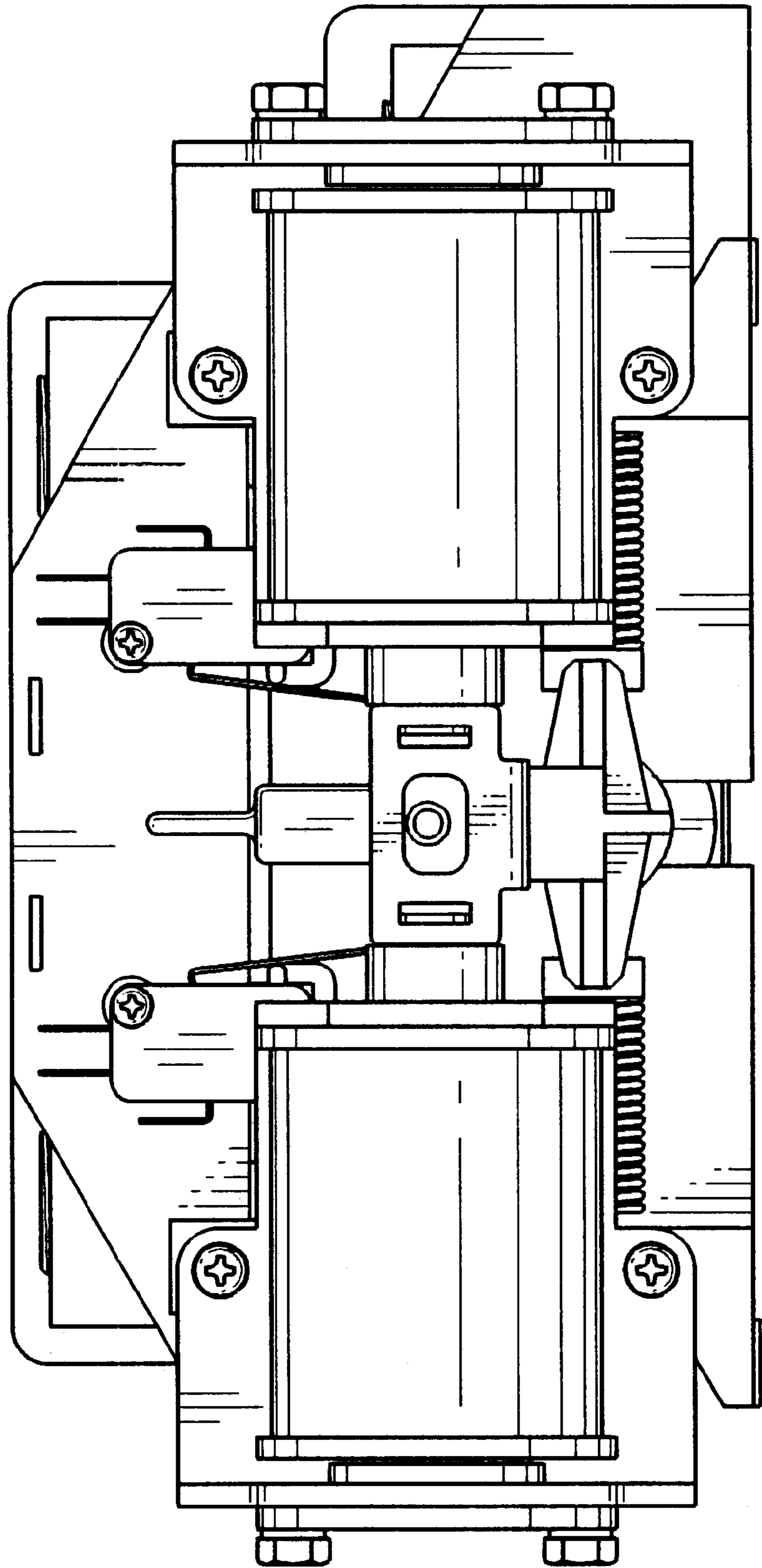


FIG. 2

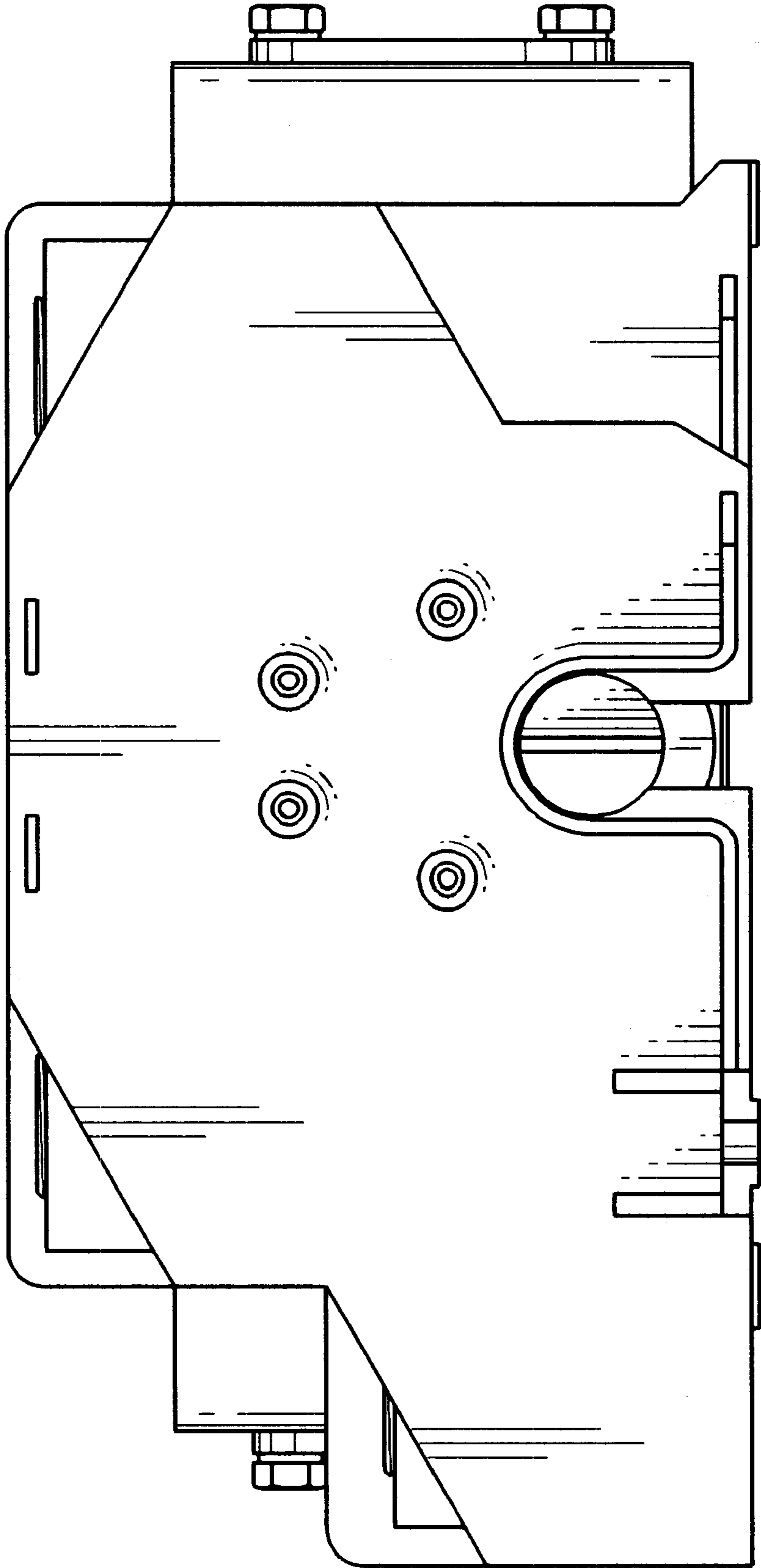


FIG. 3

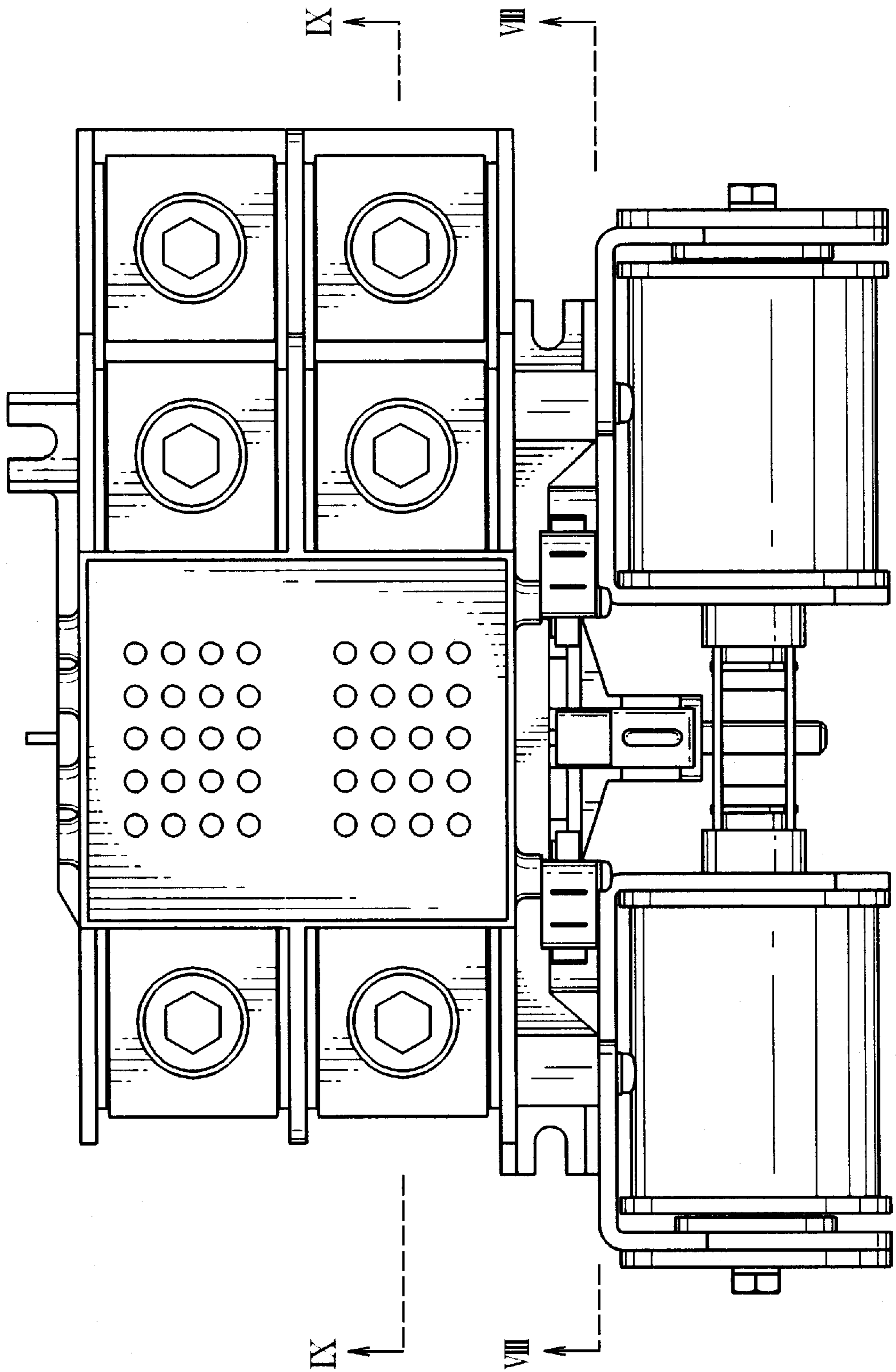


FIG. 4

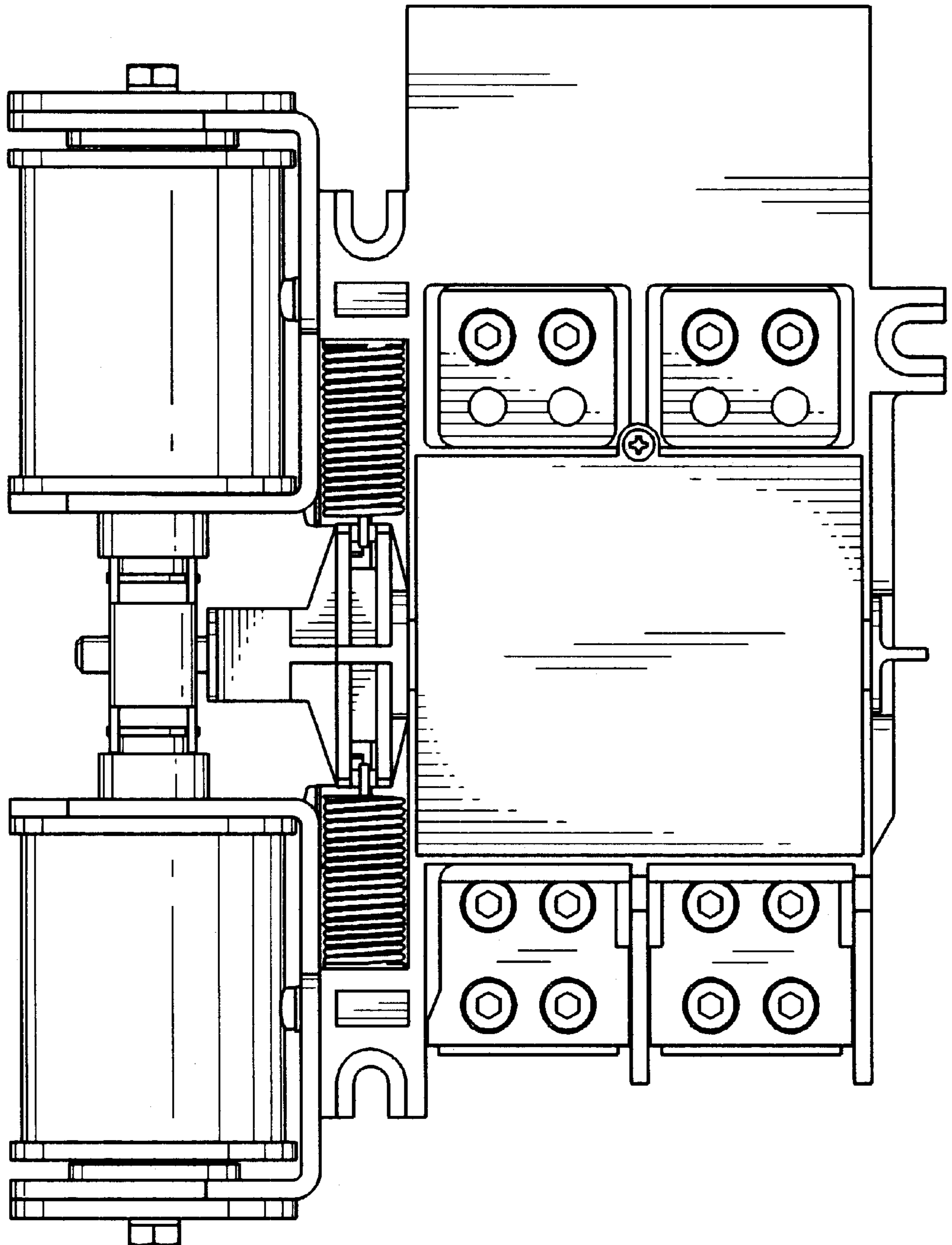


FIG. 5

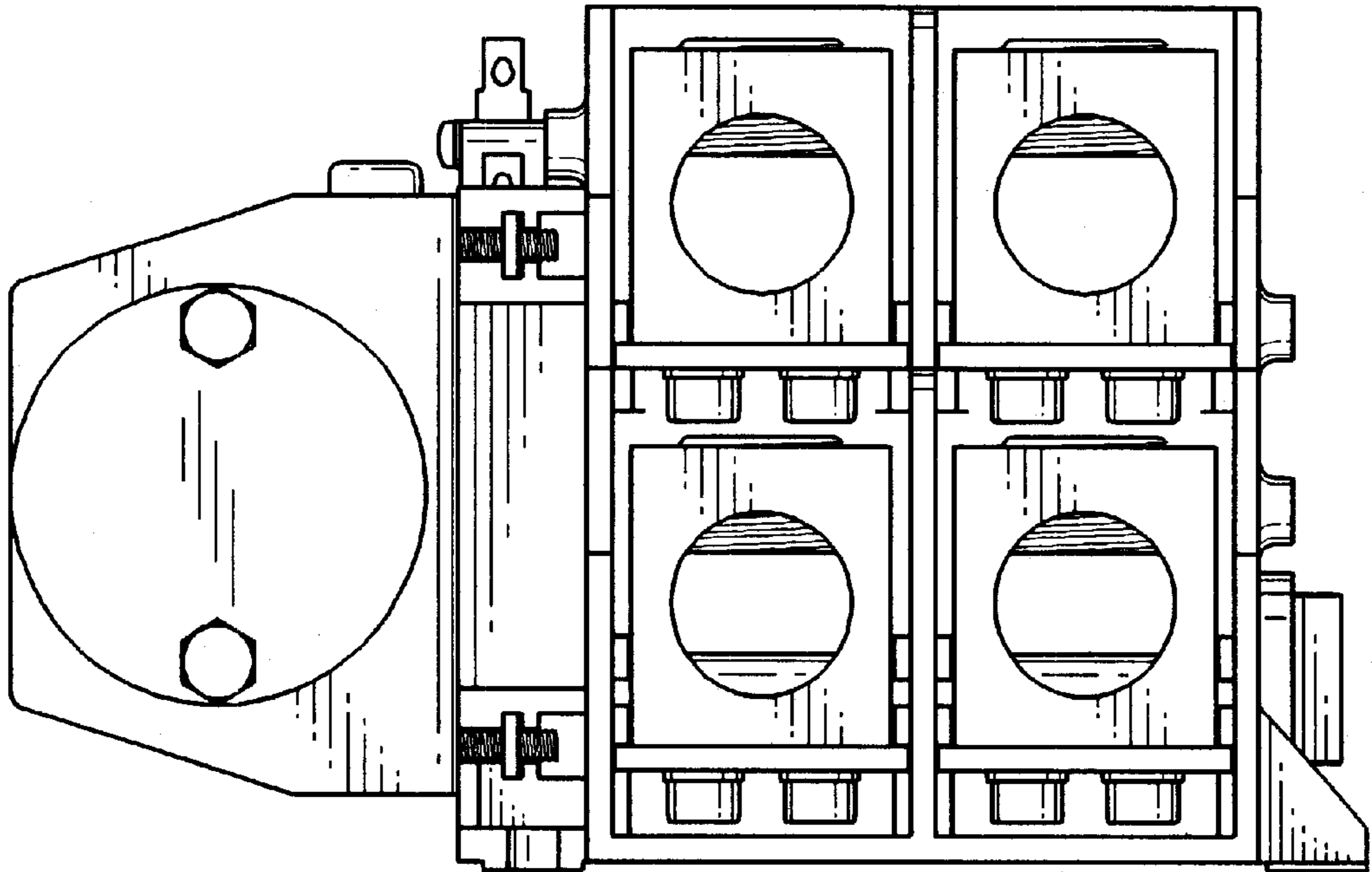


FIG. 6

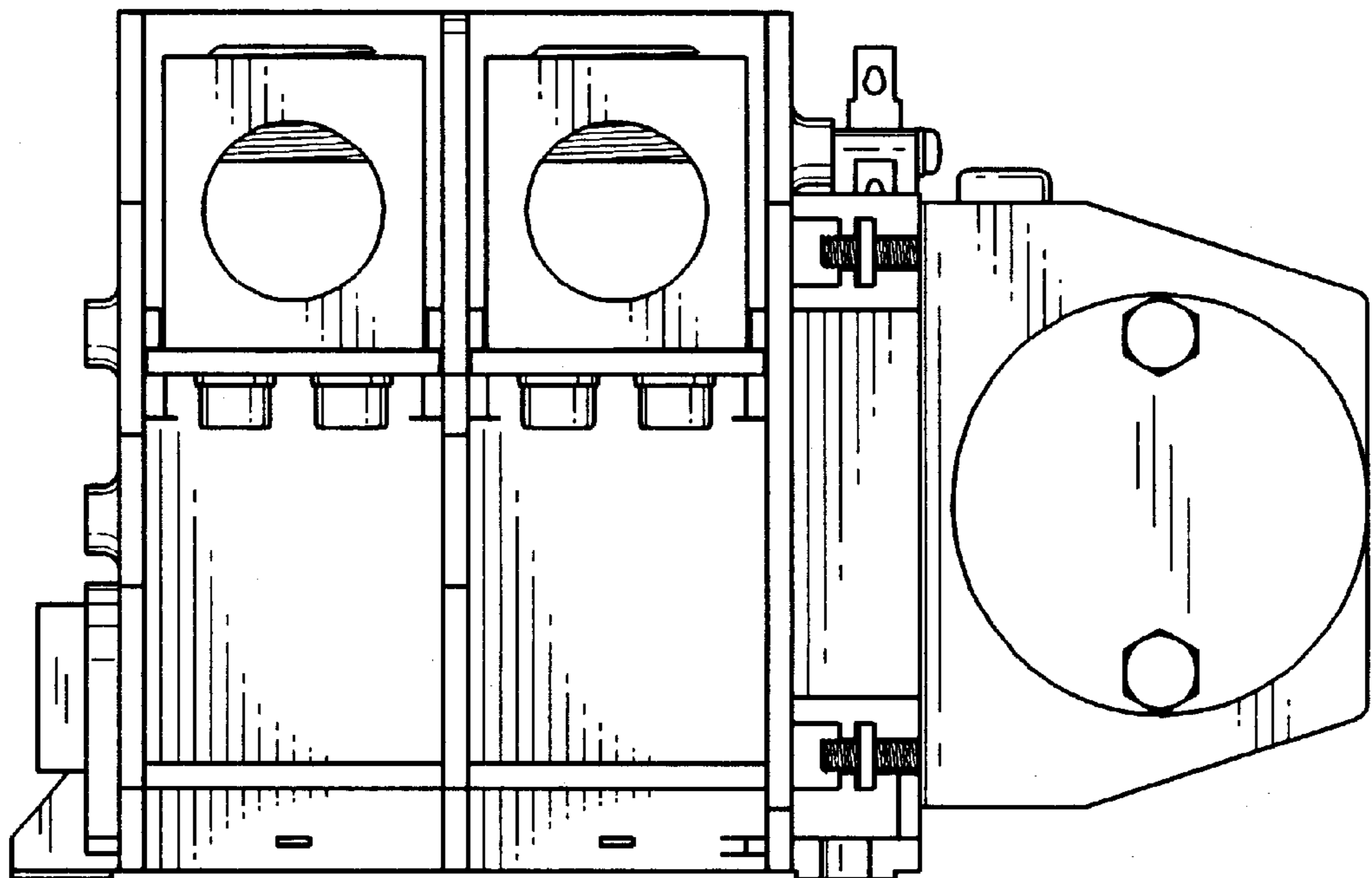


FIG. 7

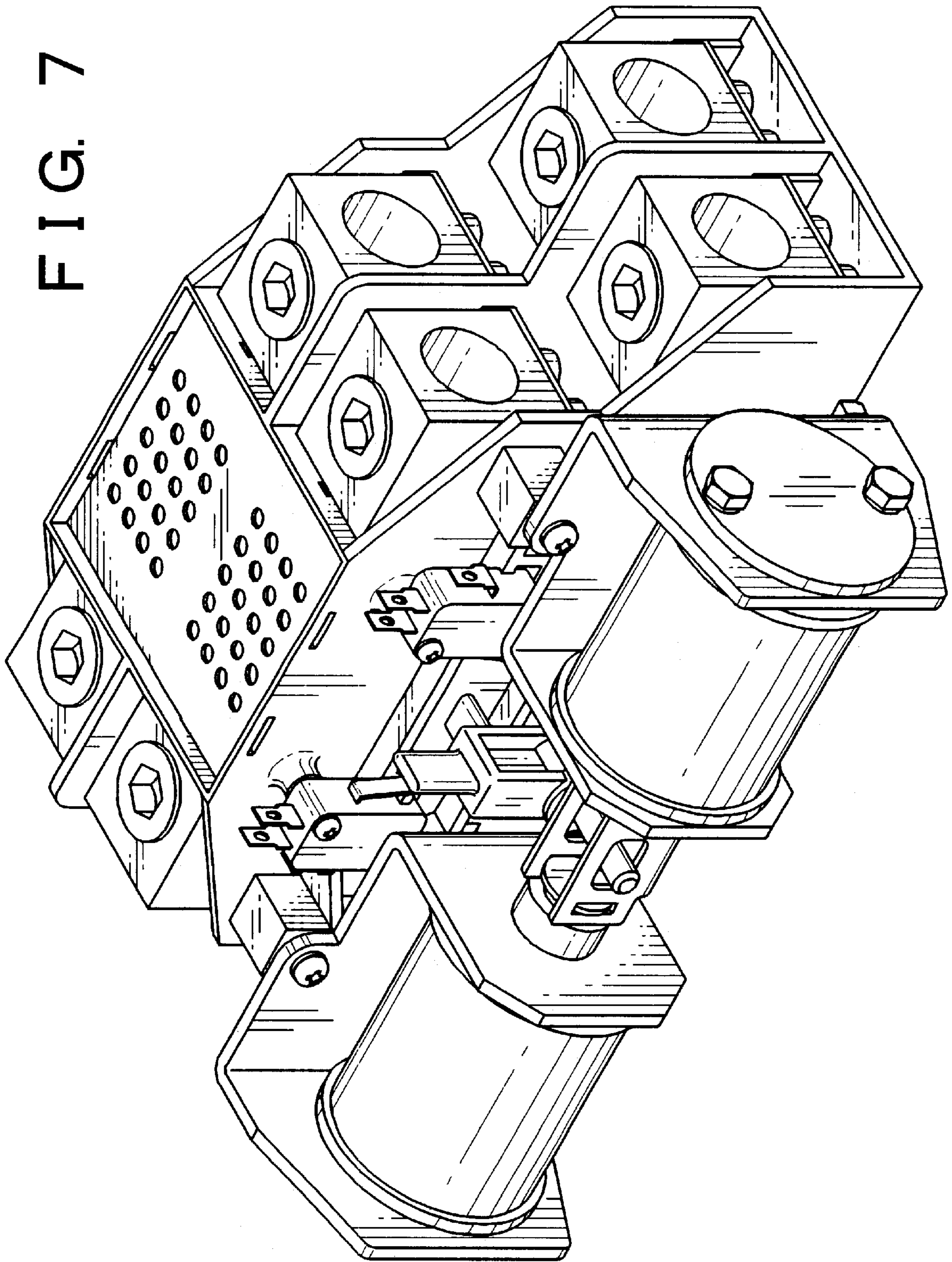


FIG. 8

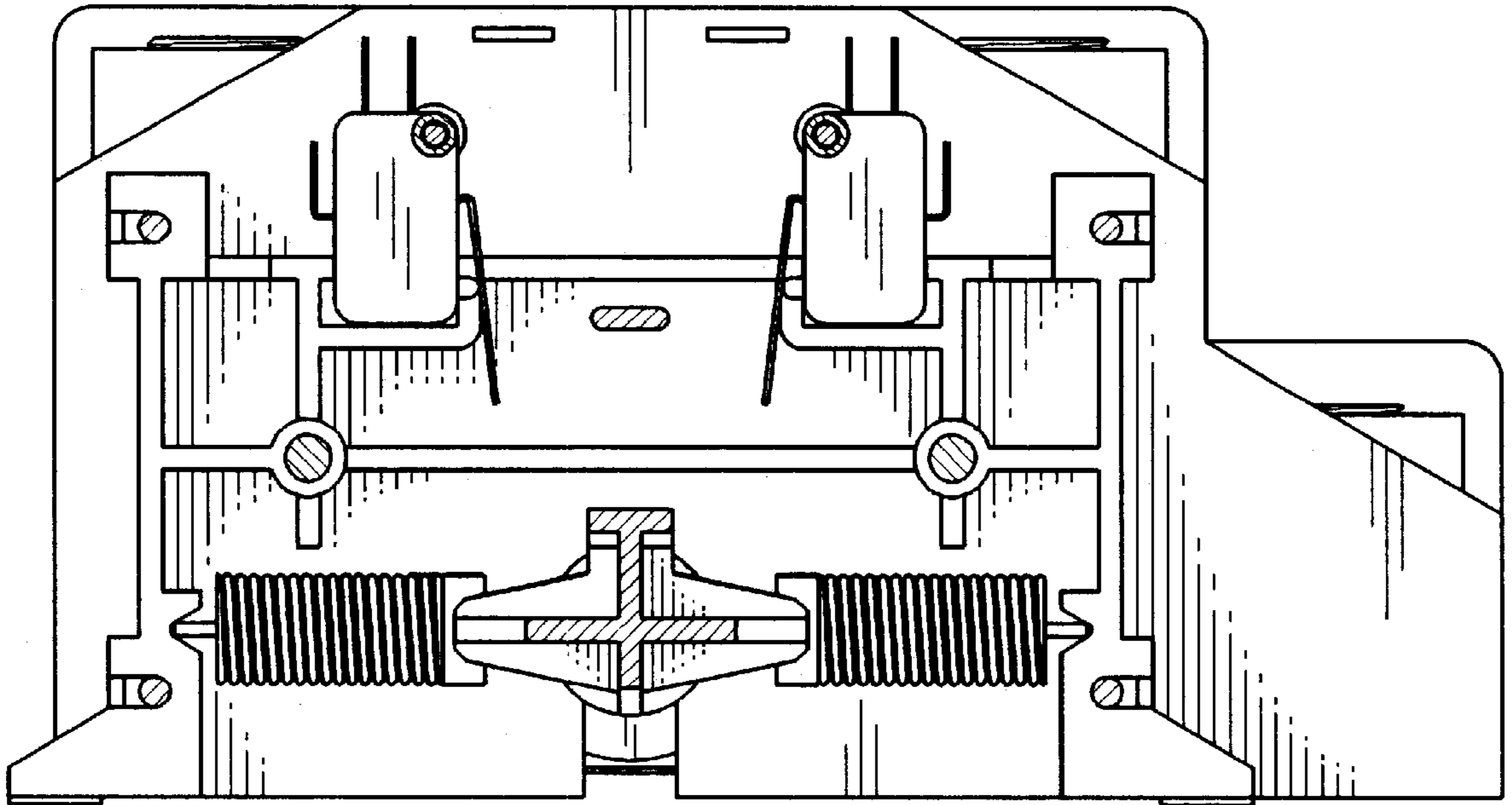


FIG. 9

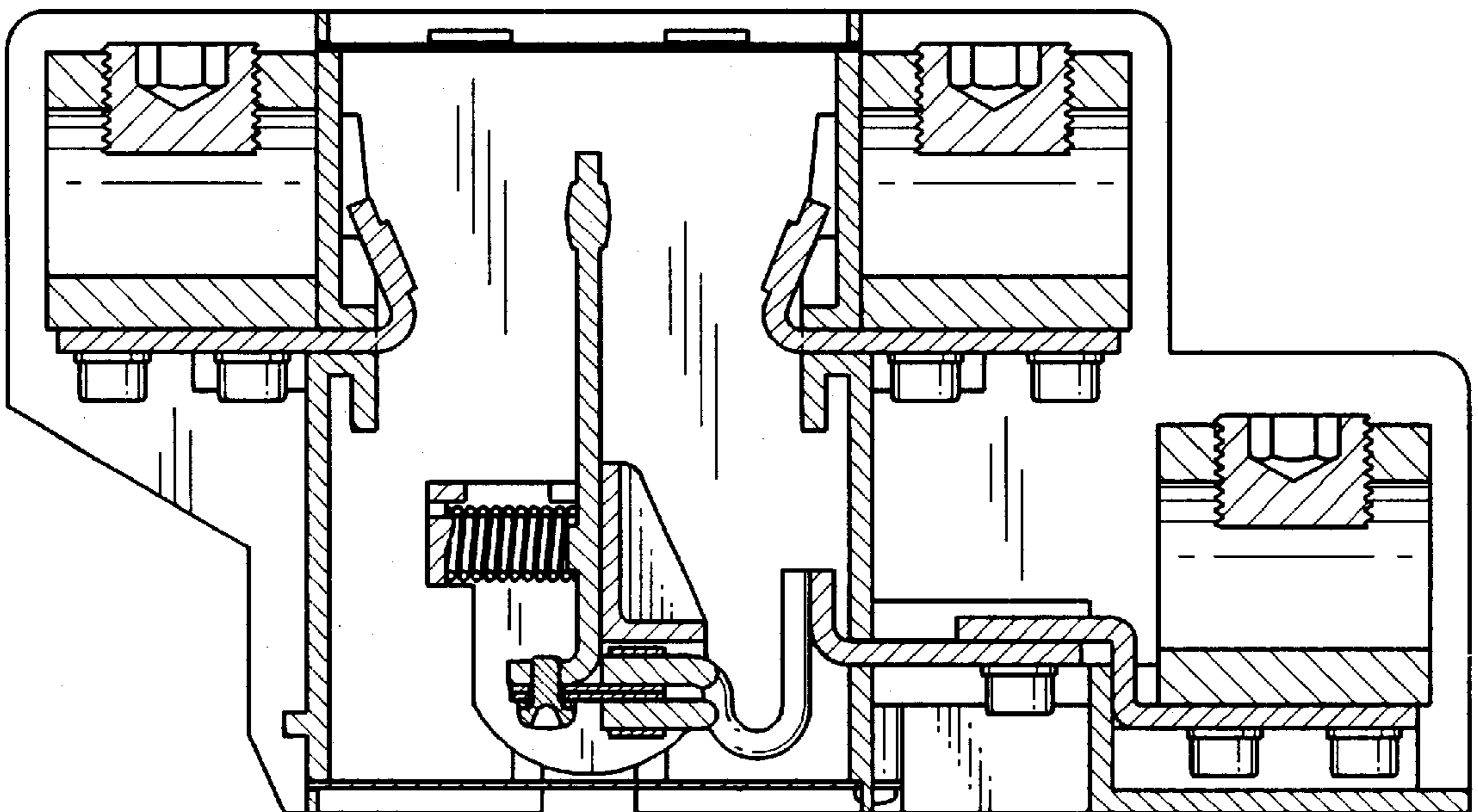


FIG. 10

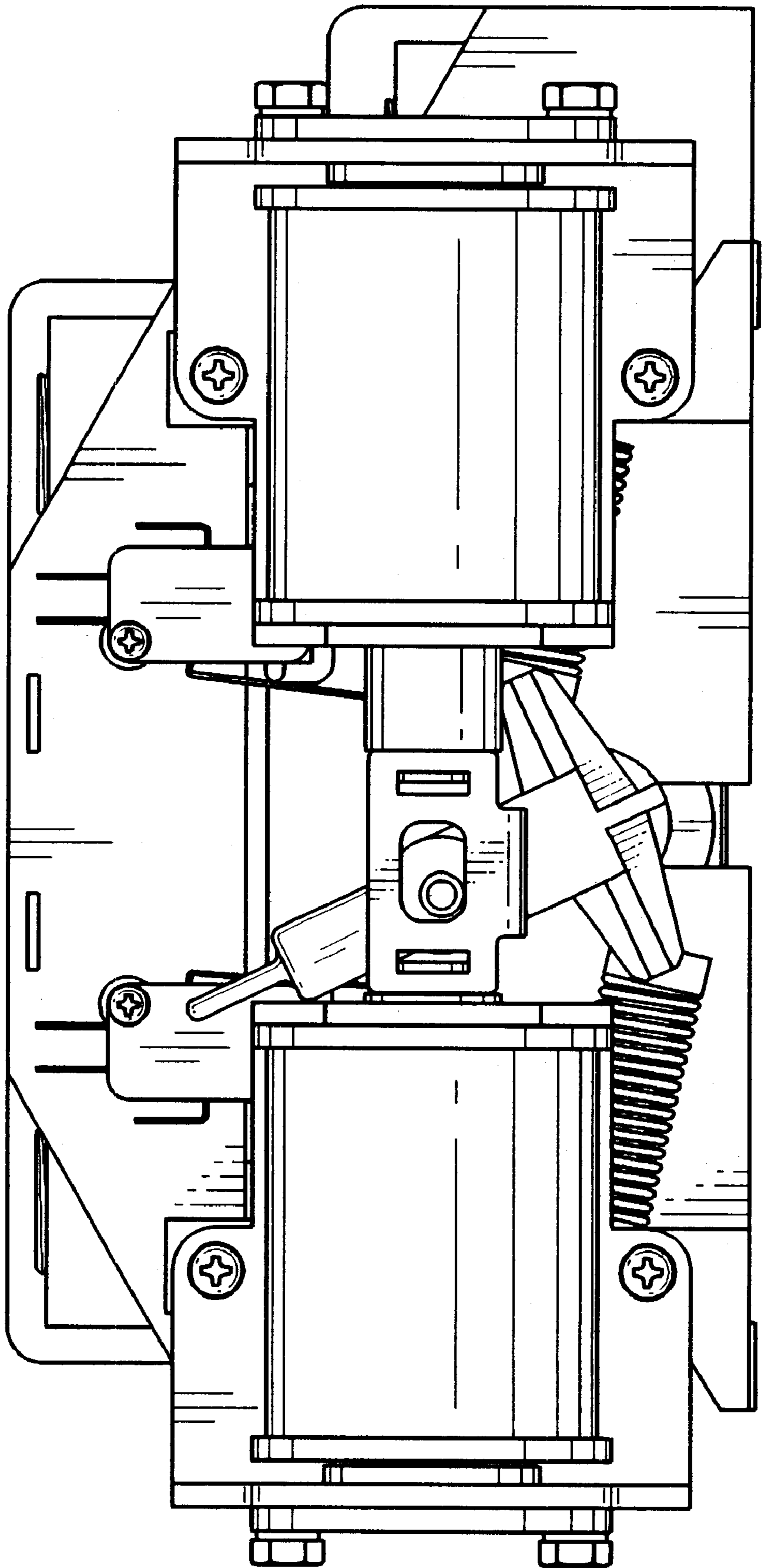


FIG. 11

