



US00D474746S

(12) **United States Design Patent**  
**Rupert**

(10) **Patent No.:** **US D474,746 S**

(45) **Date of Patent:** **\*\* May 20, 2003**

(54) **KEYED ELECTRICAL CONNECTOR**

(75) Inventor: **Brian K. Rupert**, Kendallville, IN (US)

(73) Assignee: **Dekko Engineering, Inc.**, Kendallville, IN (US)

(\*\*) Term: **14 Years**

(21) Appl. No.: **29/159,270**

(22) Filed: **Apr. 18, 2002**

(51) **LOC (7) Cl.** ..... **13-03**

(52) **U.S. Cl.** ..... **D13/147**

(58) **Field of Search** ..... D13/146, 147;  
439/353, 354, 357, 358, 680

(56) **References Cited**

**U.S. PATENT DOCUMENTS**

D210,533 S	*	3/1968	Pauza	.....	D13/147
3,523,269 A	*	8/1970	Witek	.....	439/358
4,832,625 A	*	5/1989	Puerner	.....	439/681
4,959,023 A	*	9/1990	Watanabe et al.	.....	D13/147 X
5,332,397 A	*	7/1994	Ingalsbe	.....	439/680 X
5,393,235 A	*	2/1995	Ingalsbe	.....	439/76.1

D373,757 S	*	9/1996	Abucewicz	.....	D13/147
5,601,447 A	*	2/1997	Reed et al.	.....	439/404
5,634,817 A	*	6/1997	Siemon et al.	.....	439/608
6,022,246 A	*	2/2000	Ko	.....	439/680
D463,371 S	*	9/2002	Lee et al.	.....	D13/147

\* cited by examiner

*Primary Examiner*—Joel Sincavage

(74) *Attorney, Agent, or Firm*—Taylor & Aust, P.C.

(57) **CLAIM**

The ornamental design for a keyed electrical connector, as shown and described.

**DESCRIPTION**

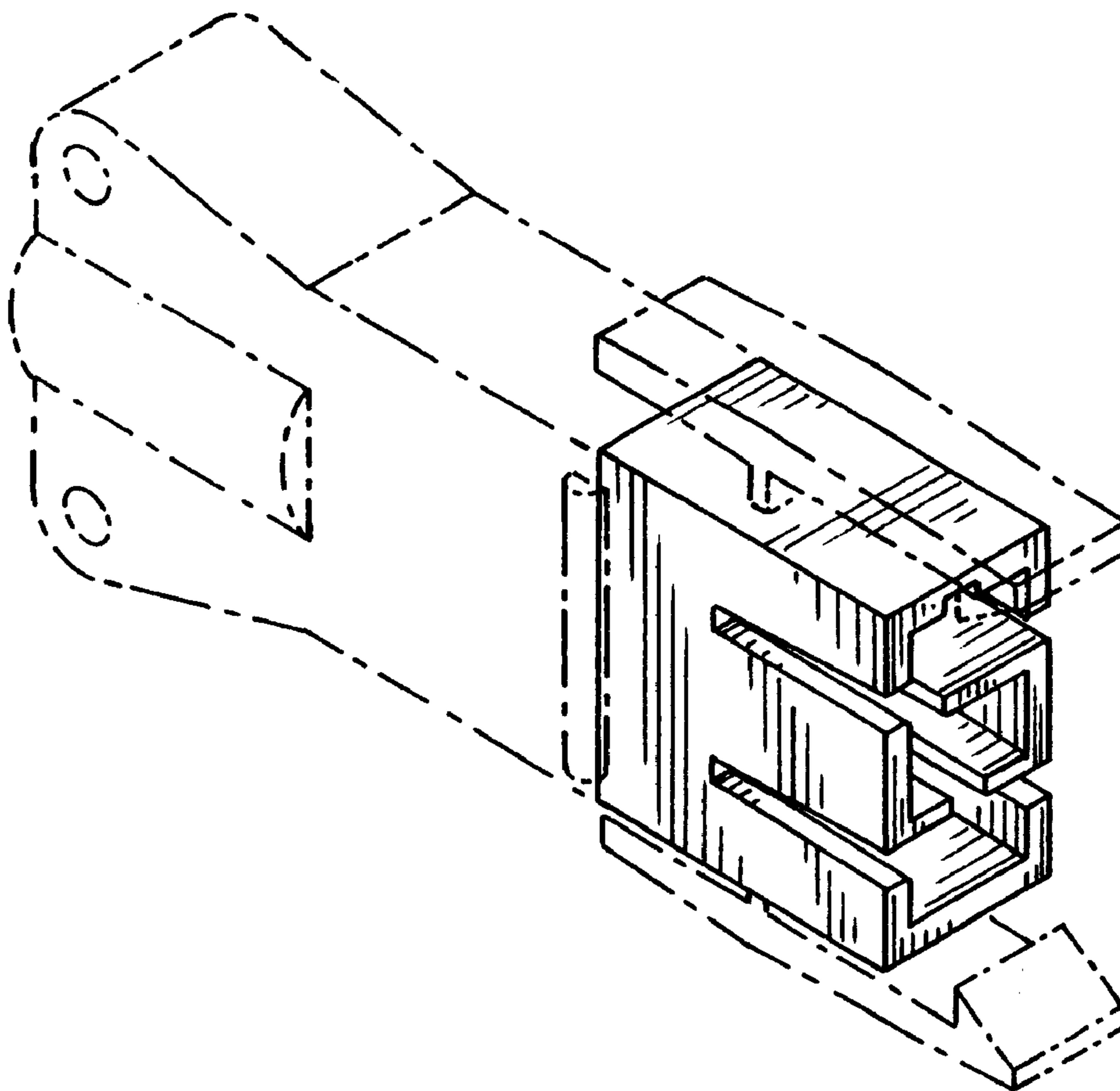
FIG. 1 is a perspective view of a keyed electrical connector showing my new design, the portion in phantom lines forming no part of the claimed invention;

FIG. 2 is a front view thereof;

FIG. 3 is a top view thereof, the bottom view being identical; and,

FIG. 4 is a side view thereof, the opposite side view being identical.

**1 Claim, 1 Drawing Sheet**



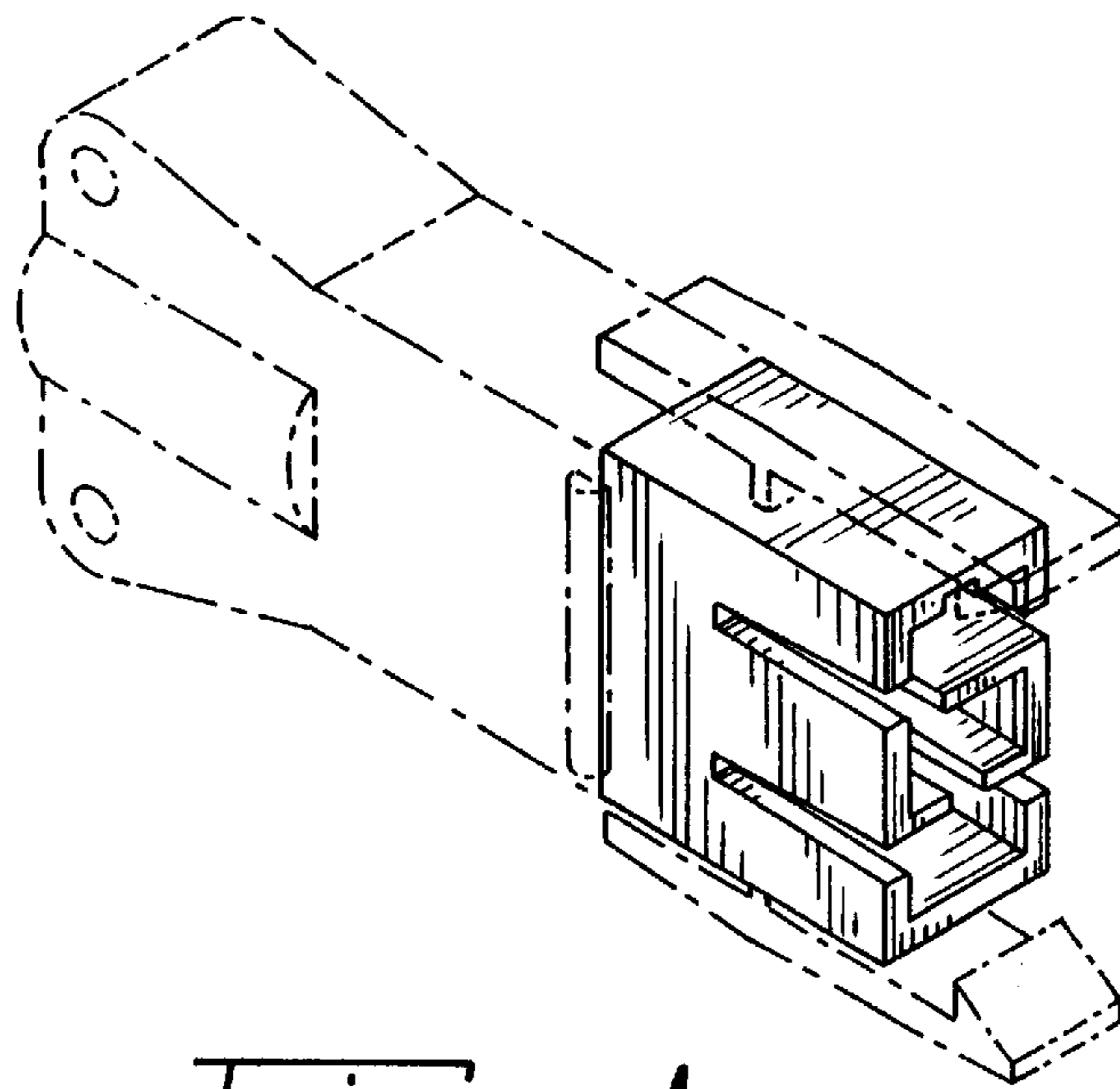


Fig. 1

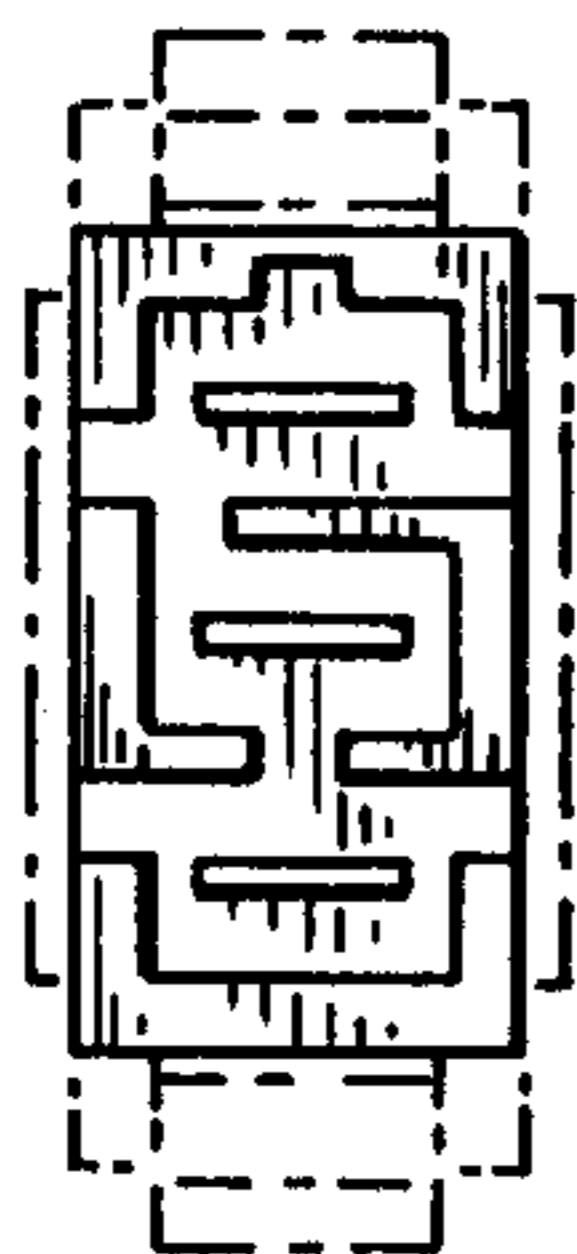


Fig. 2

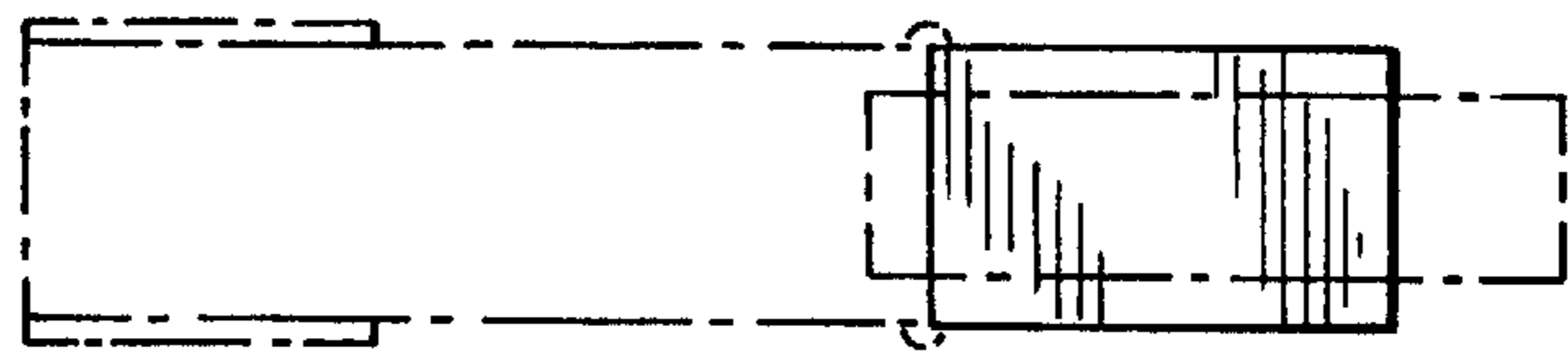


Fig. 3

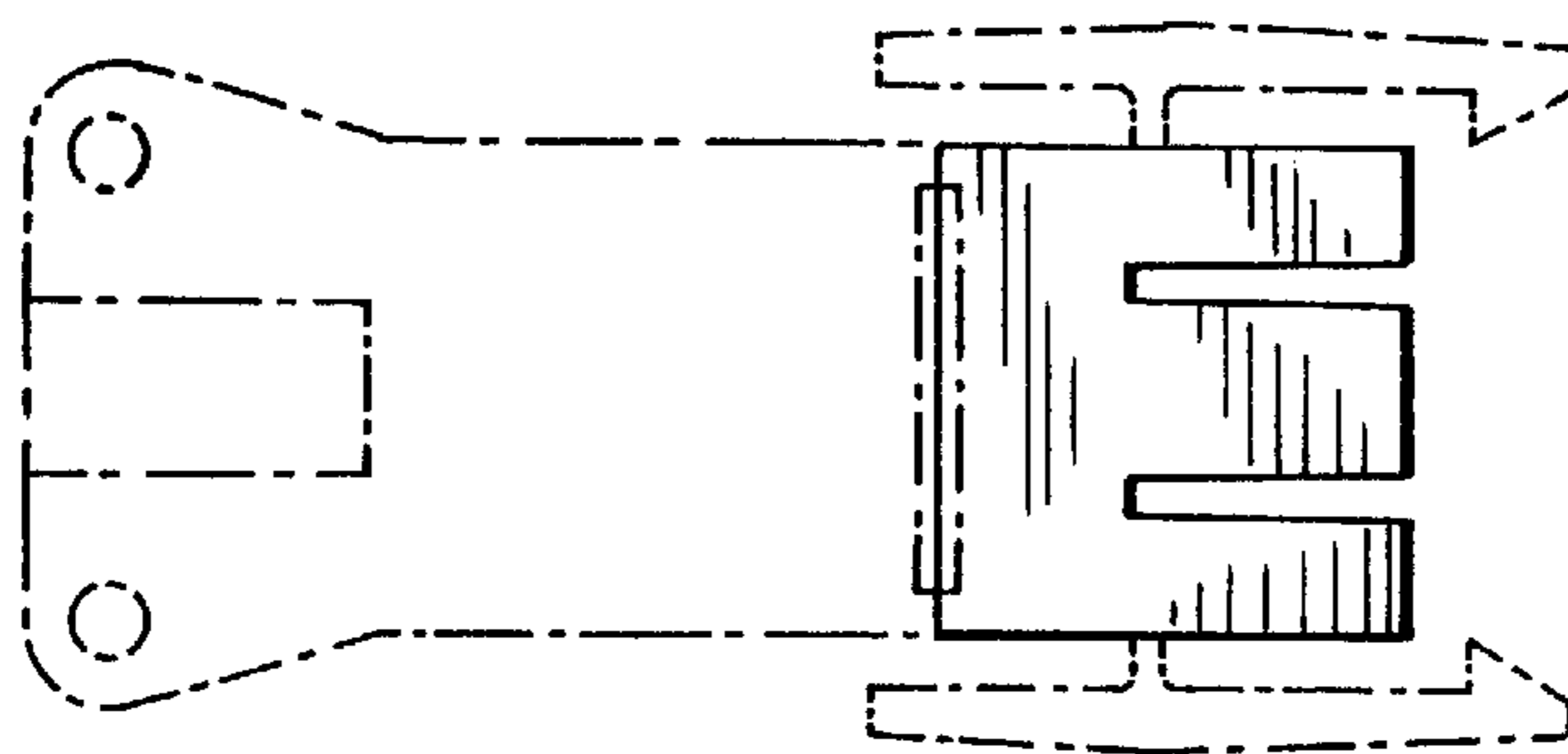


Fig. 4