



US00D474745S

(12) **United States Design Patent**
Amling et al.

(10) **Patent No.:** **US D474,745 S**

(45) **Date of Patent:** **** May 20, 2003**

(54) **CABLE BOOT AND CONNECTOR**

(75) Inventors: **Marc R. Amling**, Santa Barbara, CA (US); **David Chatenever**, Santa Barbara, CA (US); **Bruce L. Kennedy**, Santa Barbara, CA (US); **Kevin E. Halleck**, Santa Barbara, CA (US); **Greg M. Chambers**, San Luis Obispo, CA (US)

(73) Assignee: **Karl Storz Imaging, Inc.**, Goleta, CA (US)

(**) Term: **14 Years**

(21) Appl. No.: **29/153,220**

(22) Filed: **Dec. 31, 2001**

(51) **LOC (7) Cl.** **13-03**

(52) **U.S. Cl.** **D13/147**

(58) **Field of Search** D13/147, 153;
D24/138

(56) **References Cited**

U.S. PATENT DOCUMENTS

4,427,000	A	*	1/1984	Ueda	600/107
4,537,453	A	*	8/1985	Takeuchi	439/217
4,757,819	A	*	7/1988	Yokoi et al.	128/662.06
4,870,488	A	*	9/1989	Ikuno et al.	348/45
4,871,229	A	*	10/1989	Tashiro	385/117
4,983,019	A	*	1/1991	Ikuno et al.	600/181
5,386,817	A	*	2/1995	Jones	600/104
5,452,395	A	*	9/1995	Schichman et al.	385/125
5,607,391	A	*	3/1997	Klinger et al.	604/33
5,795,404	A	*	8/1998	Murphy et al.	134/22.12
D409,150	S	*	5/1999	Davis et al.	D13/147 X

OTHER PUBLICATIONS

Olympus Brochure, Endo-Imaging Solutions, OTV-S5 System.

Stryker Endoscopy Brochure, 888 3-Chip Camera.

Stryker Endoscopy Brochure, 988 3-Chip Camera.

The Stryker 596T Medical Video Camera Brochure.

Lemke Brochure, 1 CCD Kamera MC 404.

Lemke Brochure, 3 CCD Kamera TC 804.

Lemke Brochure, 1 CCD Kamera MC 204.

Angio Laz Brochure, Endoscopic Camera Head.

Richard Wolf Brochure, Three Chip Endocam 5506.

Stryker Brochure, 810 Medical Video Camera.

Circom Brochure, 3-CCD Color Camera.

Dyonics Brochure, ED3 Enhanced Digital 3-Chip Camera.

Olympus Brochure, OTV-SX2 Digital 3CCD Camera.

Olympus Brochure, Endo-Imaging Evolution, OTV-S6 OES Video System.

Aesculap Brochure, David 3-Digital Aesculap Videoendoscopic Image Display 3-Chip Camera.

(List continued on next page.)

Primary Examiner—Joel Sincavage

(74) *Attorney, Agent, or Firm*—St. Onge Steward Johnston & Reens LLC

(57) **CLAIM**

We claim the ornamental design for cable boot and connector, as shown and described.

DESCRIPTION

FIG. 1 is a side isometric view of a cable boot and connector in accordance with the new design;

FIG. 2 is a side elevation view of the cable boot and connector of FIG. 1;

FIG. 3 is a bottom plan view of the cable boot and connector of FIG. 1;

FIG. 4 is a top plan view of the cable boot and connector of FIG. 1;

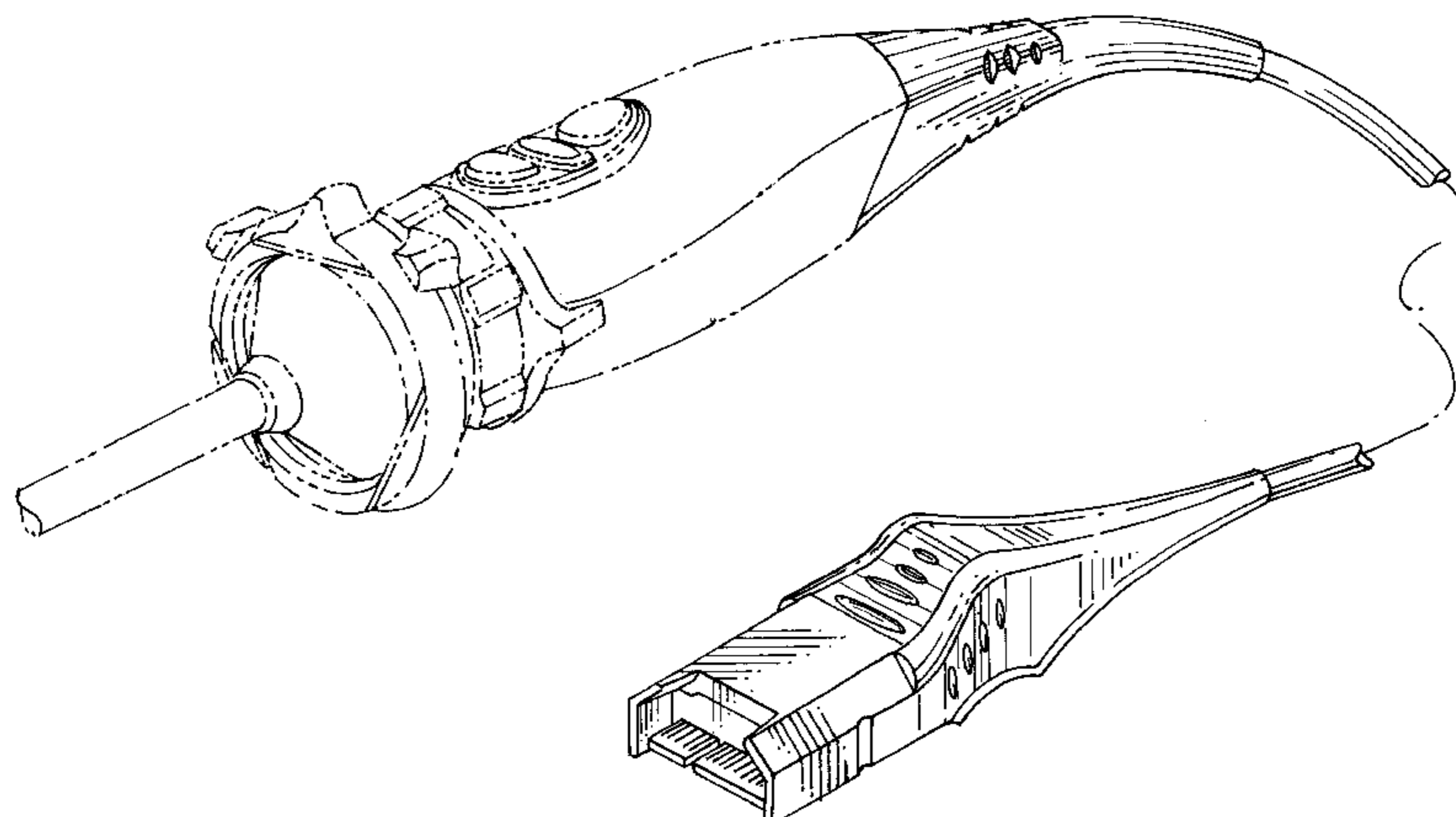
FIG. 5 is a rear elevation view of the cable boot and connector of FIG. 1; and,

FIG. 6 is a front elevation view of the cable boot and connector of FIG. 1.

The broken lines throughout the drawing figures are included for the purpose of illustrating environmental structure only and form no part of the claimed design.

The cable is shown broken away throughout the drawing figures because the specific length of the cable forms no part of the claimed design.

1 Claim, 3 Drawing Sheets



OTHER PUBLICATIONS

Aesculap Brochure, David eco—Digital Aesculap Videoendoscopic Image Display 1–Chip Camera.

Circon Brochure, MicroDigital Video Cameras.

Linvatec Brochure, EnVision Autoclavable Camera Heads.

Olympus Brochure, Evis Exera 160 Series Video Cameras and Adapters.

Richard Wolf Brochure, 1 CCD Endocam 5502, 3 CCD Endocam 5507, 1 CCD Endocam 5511.

Richard Wolf Brochure, 1 CCD Endocam 5512.

Richard Wolf Brochure, 1 CCD Endocam Light 5551.

Dyonics Brochure, 325Z and ED–3 Digital 3–Chip Video Camera and HD900 Digital 1–Chip Video Camera.

Karl Storz Endoskope Brochure, Endovision HysteroCam SL, Endovision XL Camera System, Endovision Telecam SL, Endovision Tridam SL and Endovision Tricam SL/DX.

* cited by examiner

