



US00D474744S

(12) **United States Design Patent**
Wu

(10) **Patent No.:** **US D474,744 S**

(45) **Date of Patent:** **** May 20, 2003**

(54) **PLUG**

(75) Inventor: **Jui-Hsiung Wu**, Taipei (TW)

(73) Assignee: **Well Shin Enterprise Co., Ltd.**, Taipei (TW)

(**) Term: **14 Years**

(21) Appl. No.: **29/163,964**

(22) Filed: **Jul. 17, 2002**

(51) **LOC (7) Cl.** **13-03**

(52) **U.S. Cl.** **D13/137.1; D13/138.1**

(58) **Field of Search** **D13/137.1, 138.1, D13/138.2; 439/131, 171**

(56) **References Cited**

U.S. PATENT DOCUMENTS

D378,291 S * 3/1997 Hahn D13/138.2

5,611,701 A * 3/1997 Hahn 439/131
2002/0090848 A1 * 7/2002 Yu 439/131

* cited by examiner

Primary Examiner—Jennifer Rivard

(74) *Attorney, Agent, or Firm*—Bacon & Thomas, PLLC

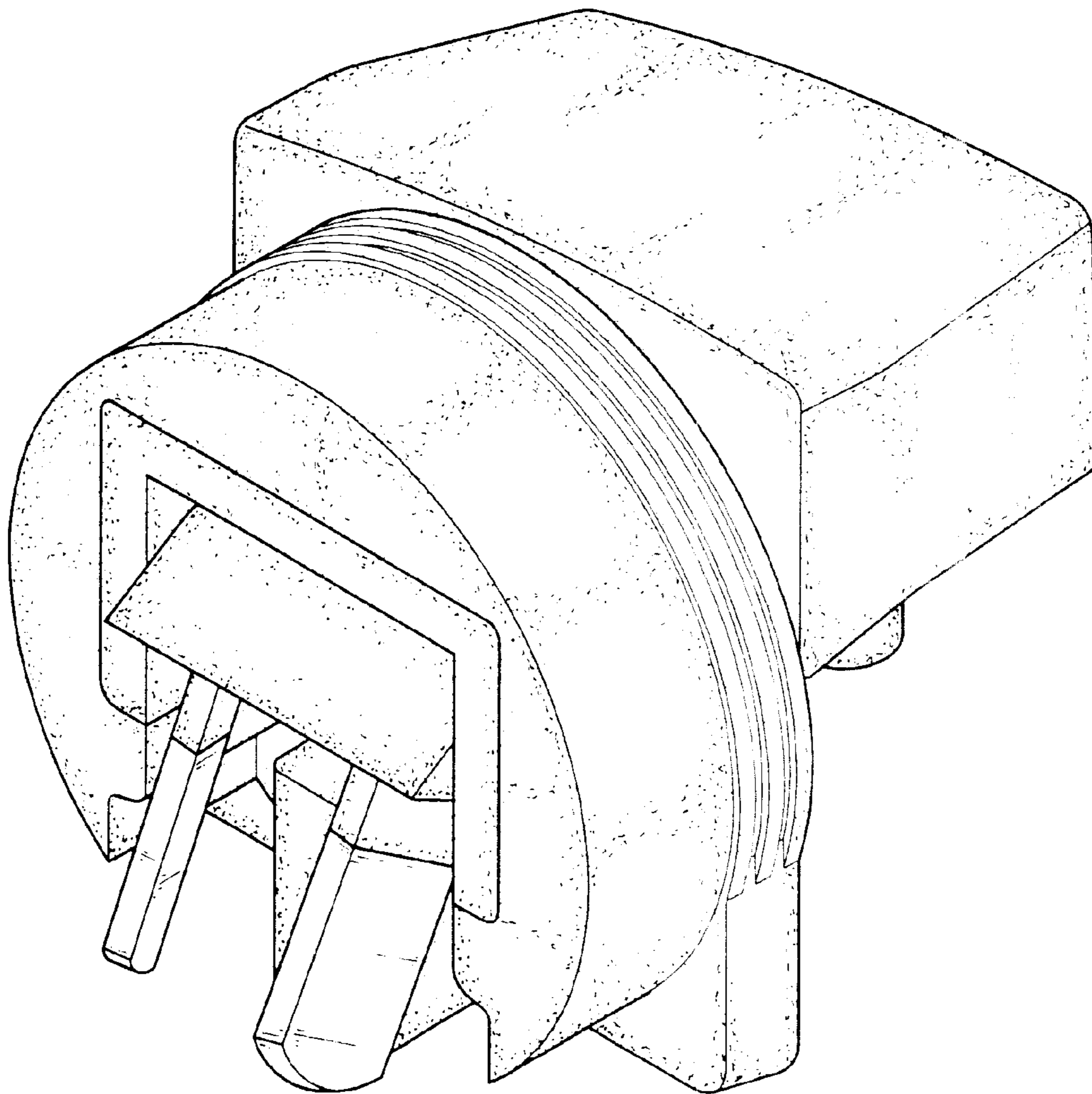
(57) **CLAIM**

The ornamental design for plug, as shown and described.

DESCRIPTION

FIG. 1 is a perspective view of plug showing my new design.
FIG. 2 is a front elevational view thereof;
FIG. 3 is a rear elevational view thereof;
FIG. 4 is a left side elevational view thereof;
FIG. 5 is a right side elevational view thereof;
FIG. 6 is a top plan view thereof; and,
FIG. 7 is a bottom plan view thereof.

1 Claim, 4 Drawing Sheets



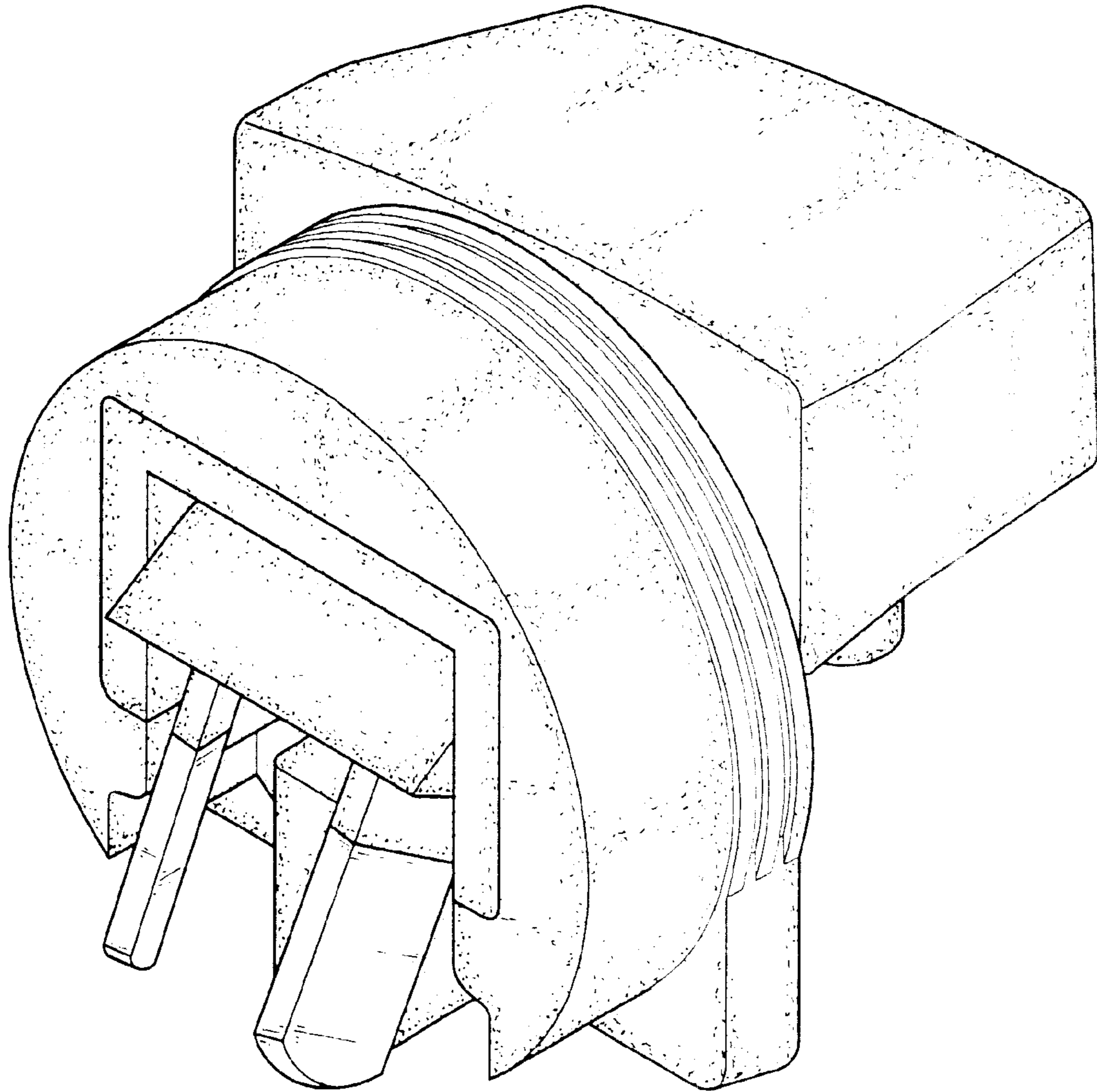


FIG. 1

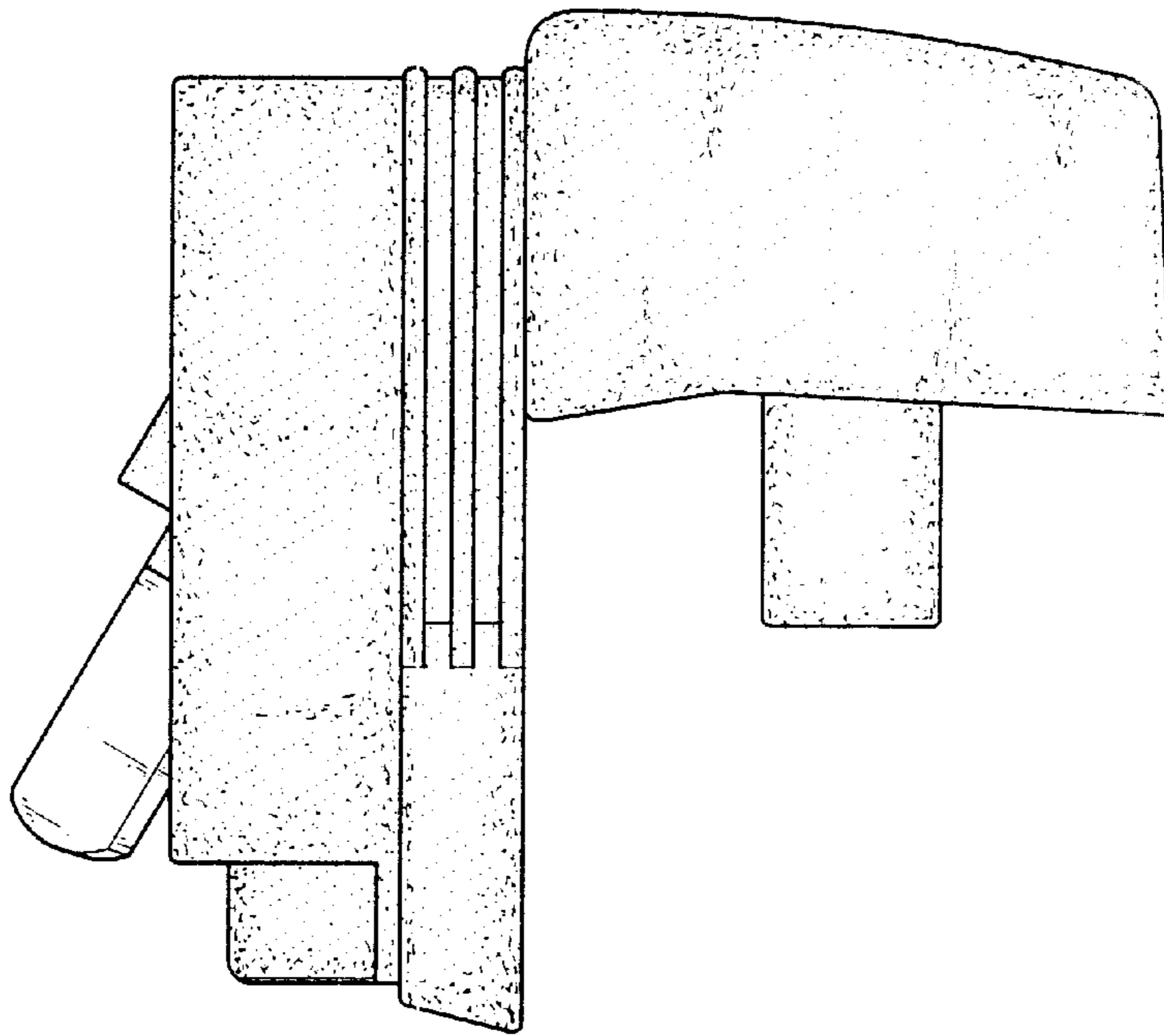


FIG. 2

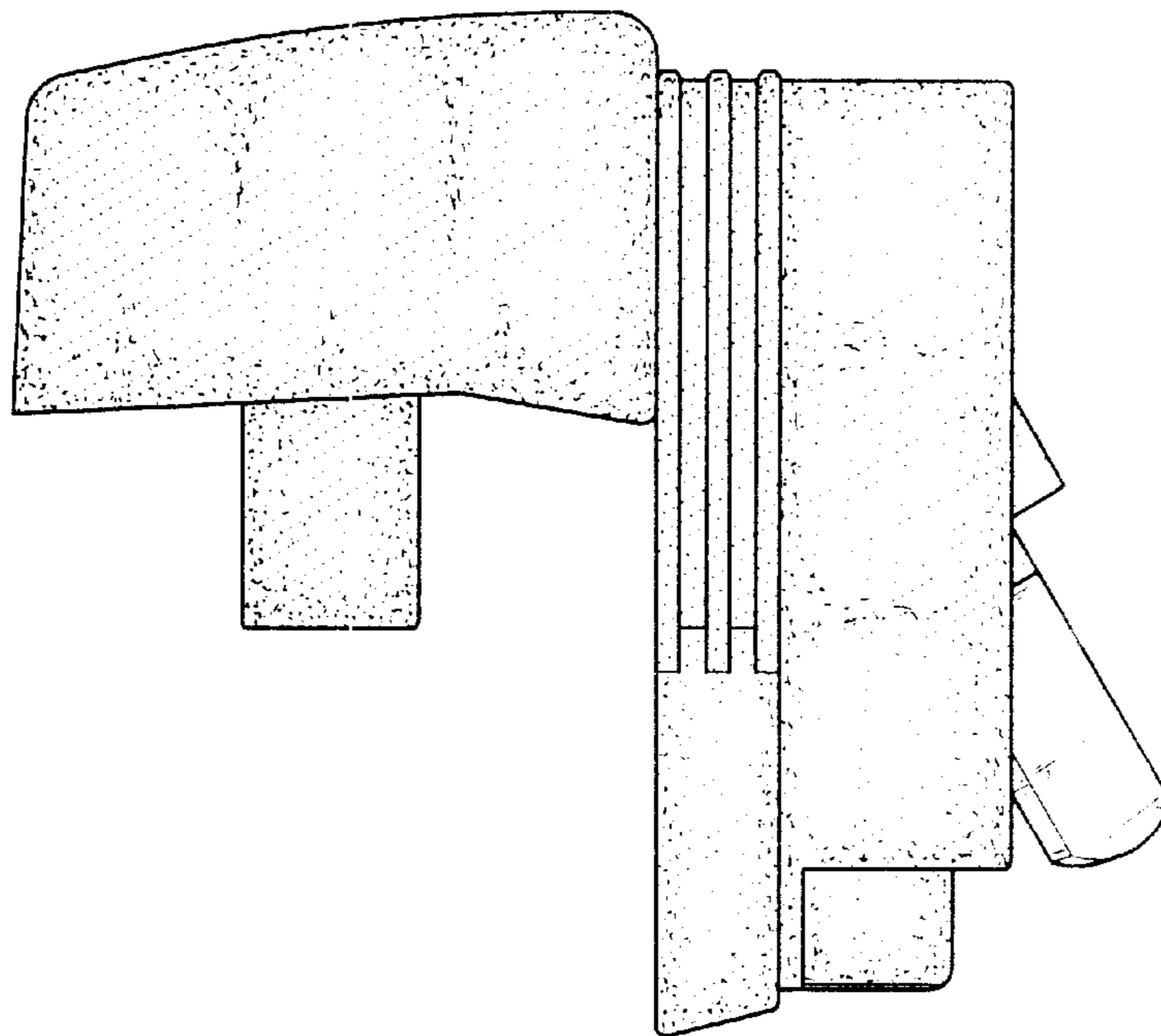


FIG. 3

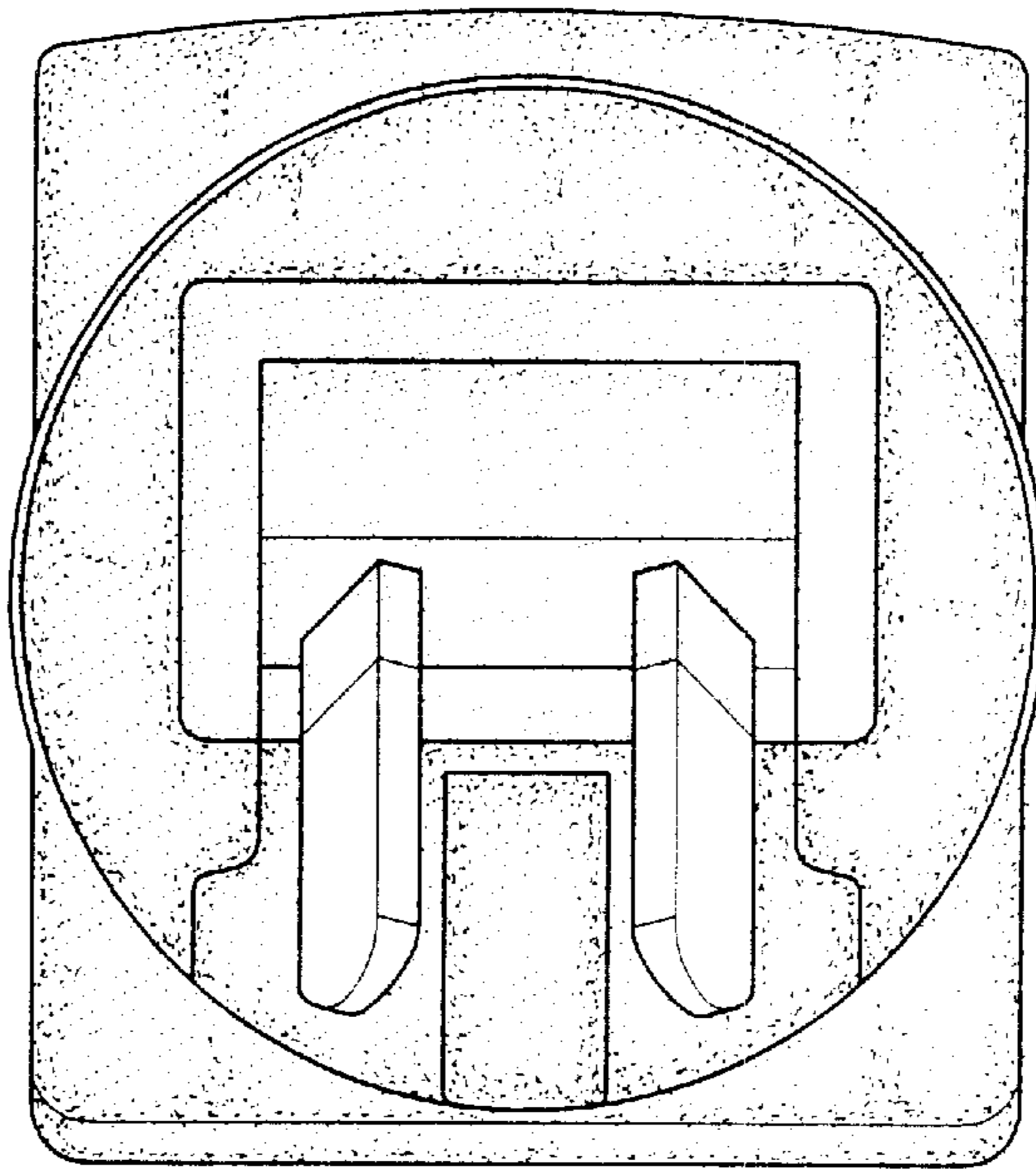


FIG. 4

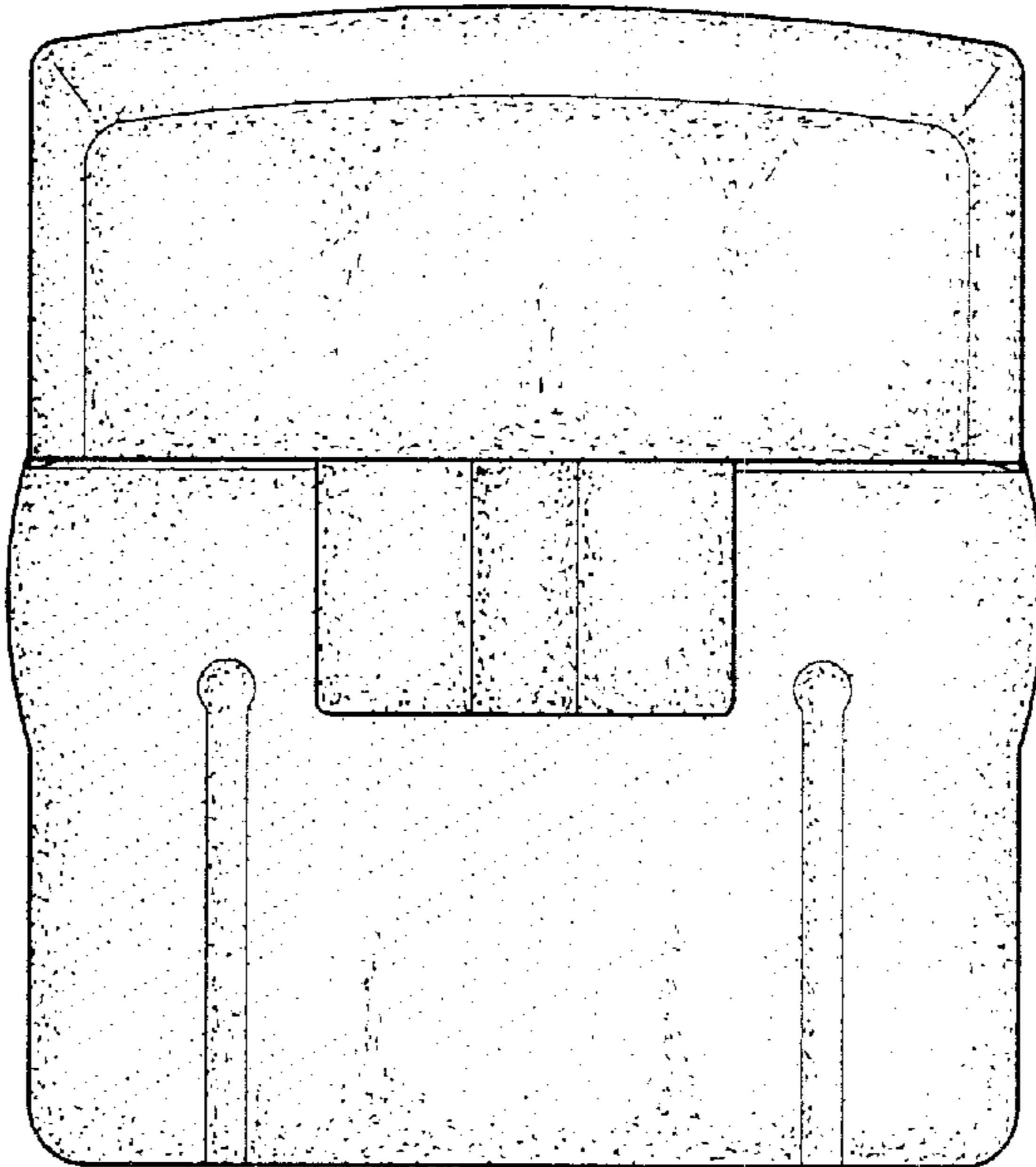


FIG. 5

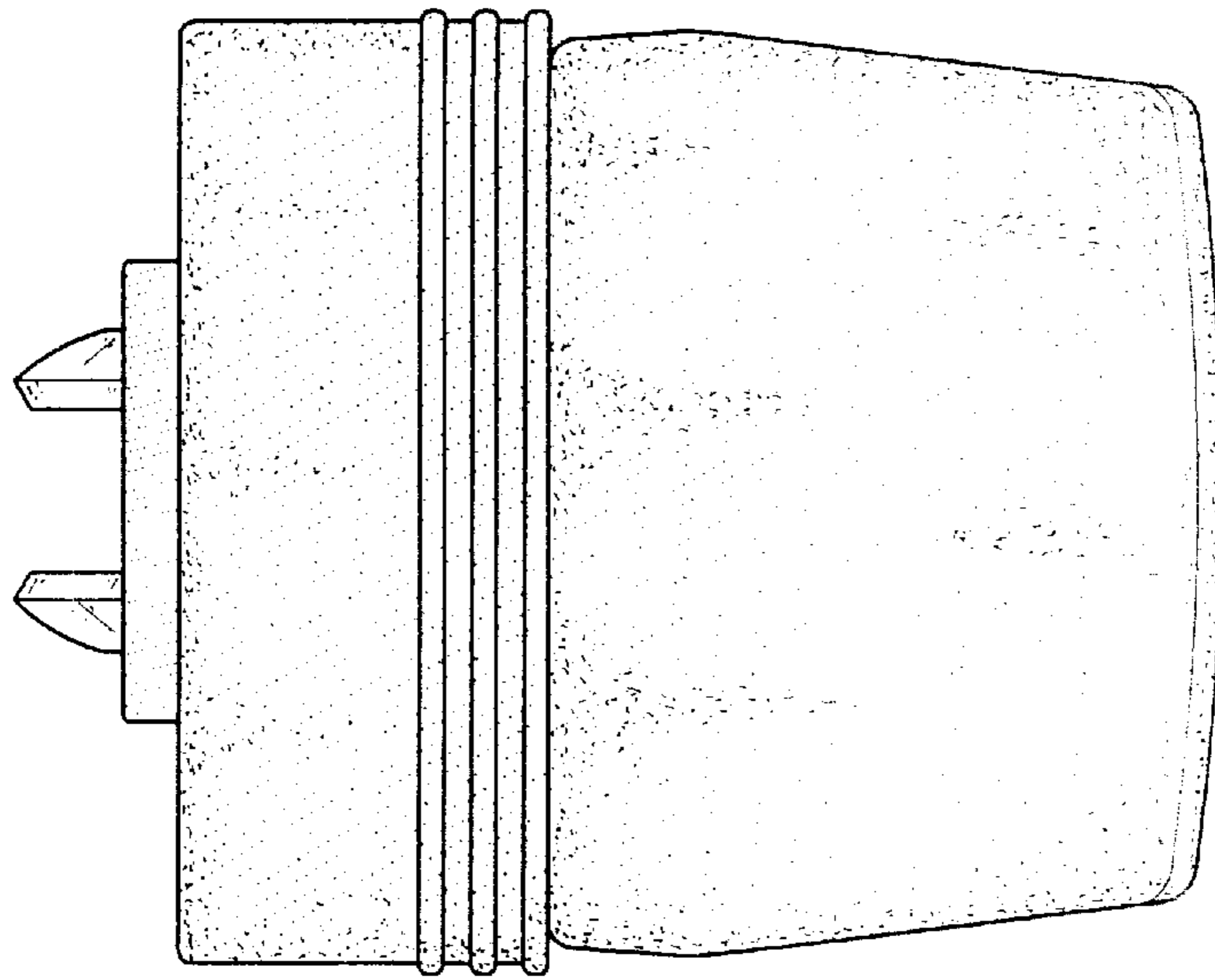


FIG. 6

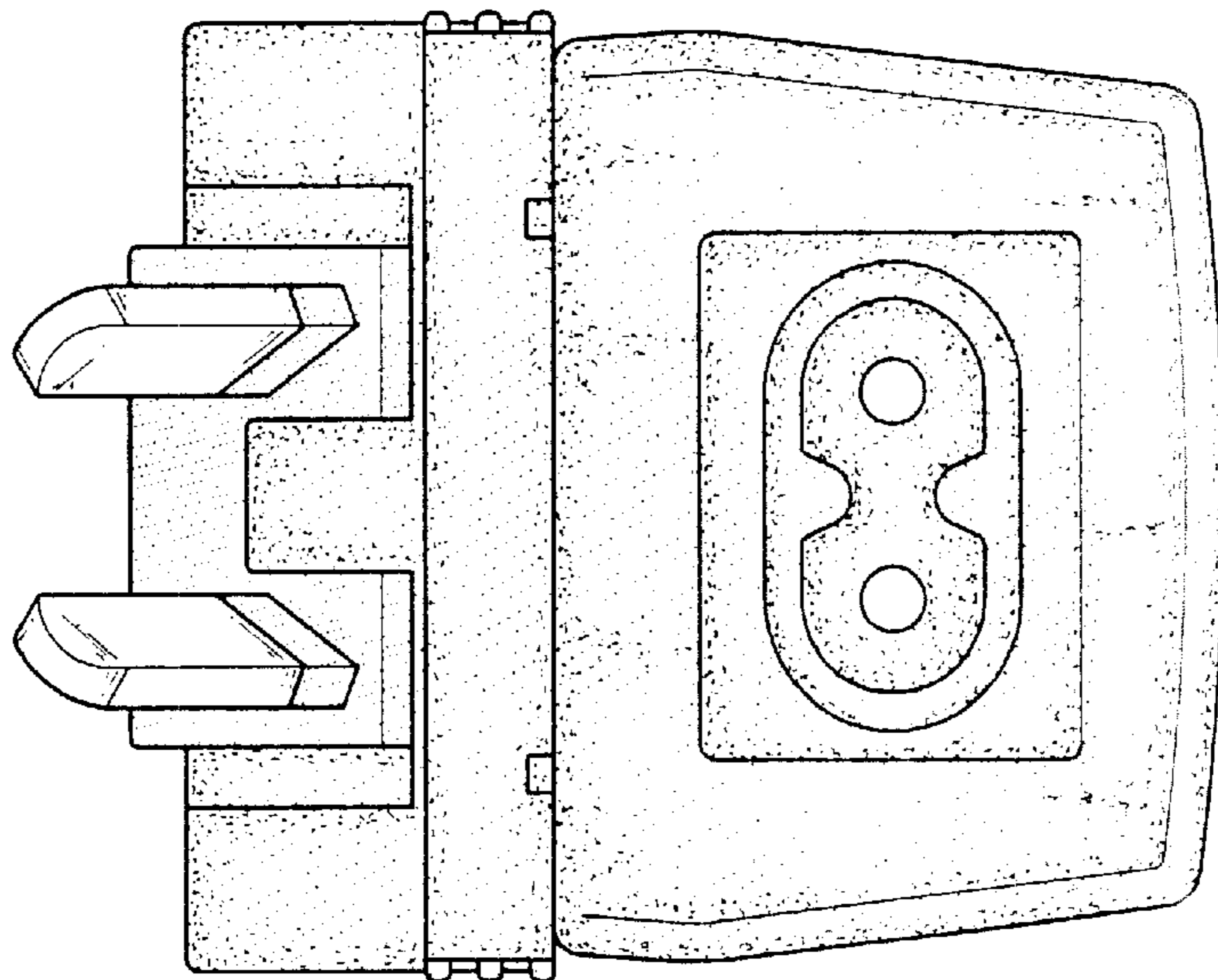


FIG. 7