



US00D474739S

(12) **United States Design Patent**
Chang

(10) **Patent No.:** **US D474,739 S**

(45) **Date of Patent:** **** May 20, 2003**

(54) **CHARGER ADAPTER**

(75) Inventor: **Shen Te Chang**, Chong Ho (TW)

(73) Assignee: **Channex Technology Co., Ltd.**, Taipei (TW)

(**) Term: **14 Years**

(21) Appl. No.: **29/164,009**

(22) Filed: **Jul. 11, 2002**

(51) **LOC (7) Cl.** **13-02**

(52) **U.S. Cl.** **D13/110; D13/118**

(58) **Field of Search** **D13/107, 108, D13/110, 118; 320/110-115; 363/146; 336/92**

(56) **References Cited**

U.S. PATENT DOCUMENTS

D394,641 S	*	5/1998	Seragnoli	D13/108
5,940,282 A	*	8/1999	Oglesbee	363/21
D432,497 S	*	10/2000	Totsuka et al.	D13/110
D432,689 S	*	10/2000	Yuen	D26/38
6,233,167 B1	*	5/2001	Chen et al.	363/146

6,272,030 B1	*	8/2001	Oomura	363/62
D452,842 S	*	1/2002	Kajiwara et al.	D13/110
D456,008 S	*	4/2002	Kawanobe et al.	D13/110
6,434,032 B1	*	8/2002	Romano	363/146
6,495,988 B1	*	12/2002	Liao	320/111

* cited by examiner

Primary Examiner—Joel Sincavage

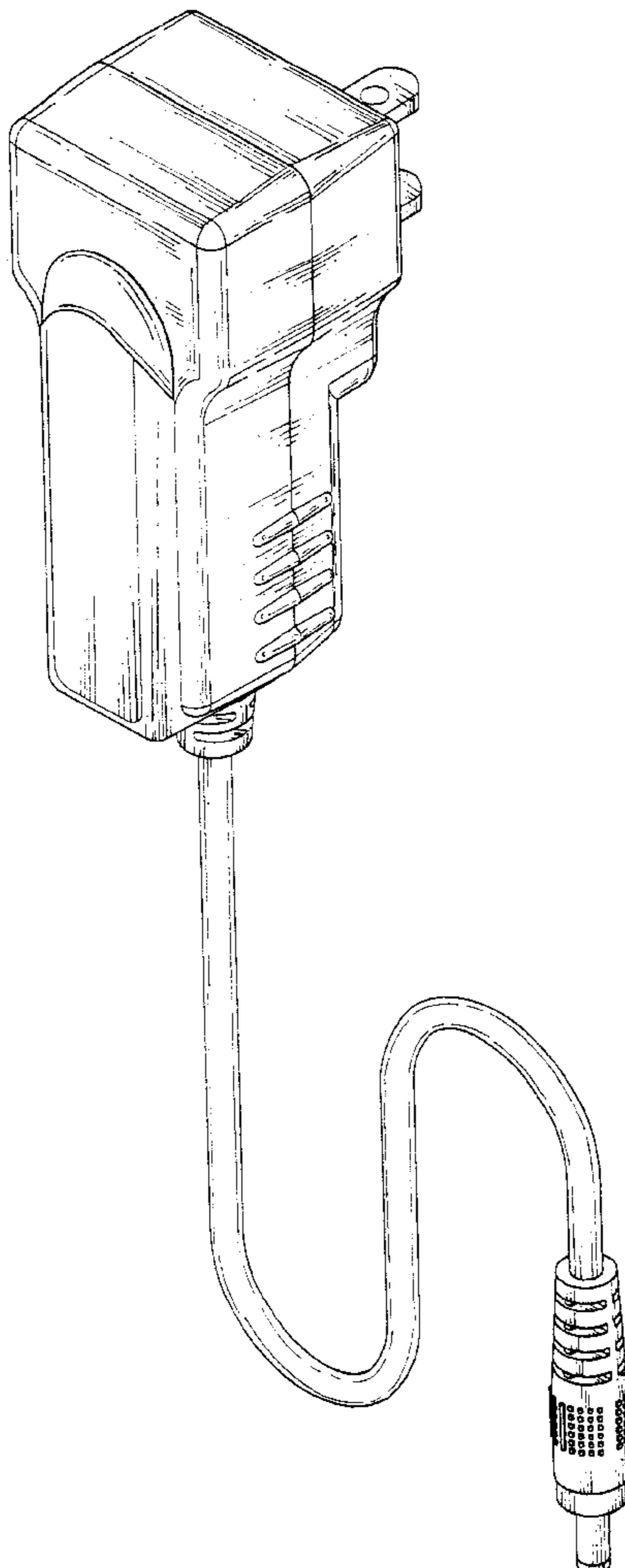
(57) **CLAIM**

The ornamental design for a charger adapter, as shown and described.

DESCRIPTION

FIG. 1 is a perspective view of a charger adapter showing my new design;
 FIG. 2 is a front elevational view thereof;
 FIG. 3 is a rear elevational view thereof;
 FIG. 4 is a top plan view thereof;
 FIG. 5 is a bottom plan view thereof;
 FIG. 6 is a left side elevational view thereof; and,
 FIG. 7 is a right side elevational view thereof.

1 Claim, 5 Drawing Sheets



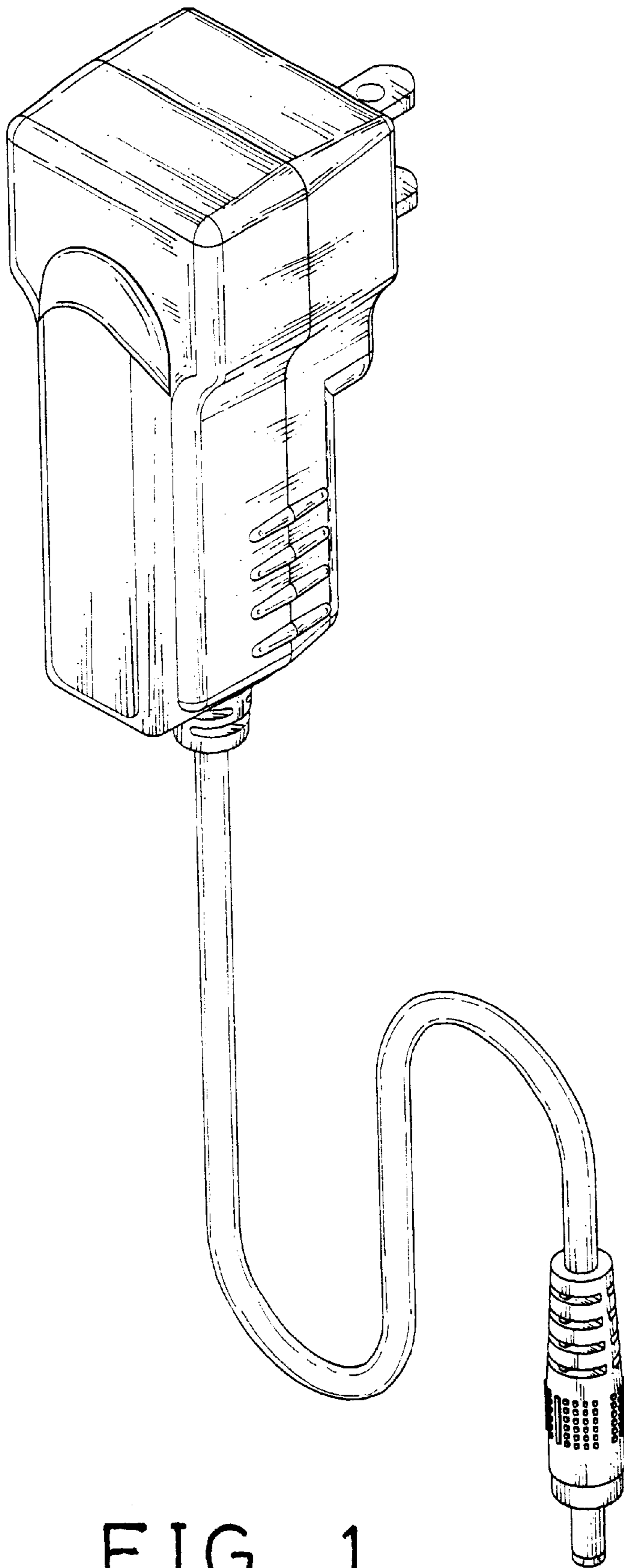


FIG. 1

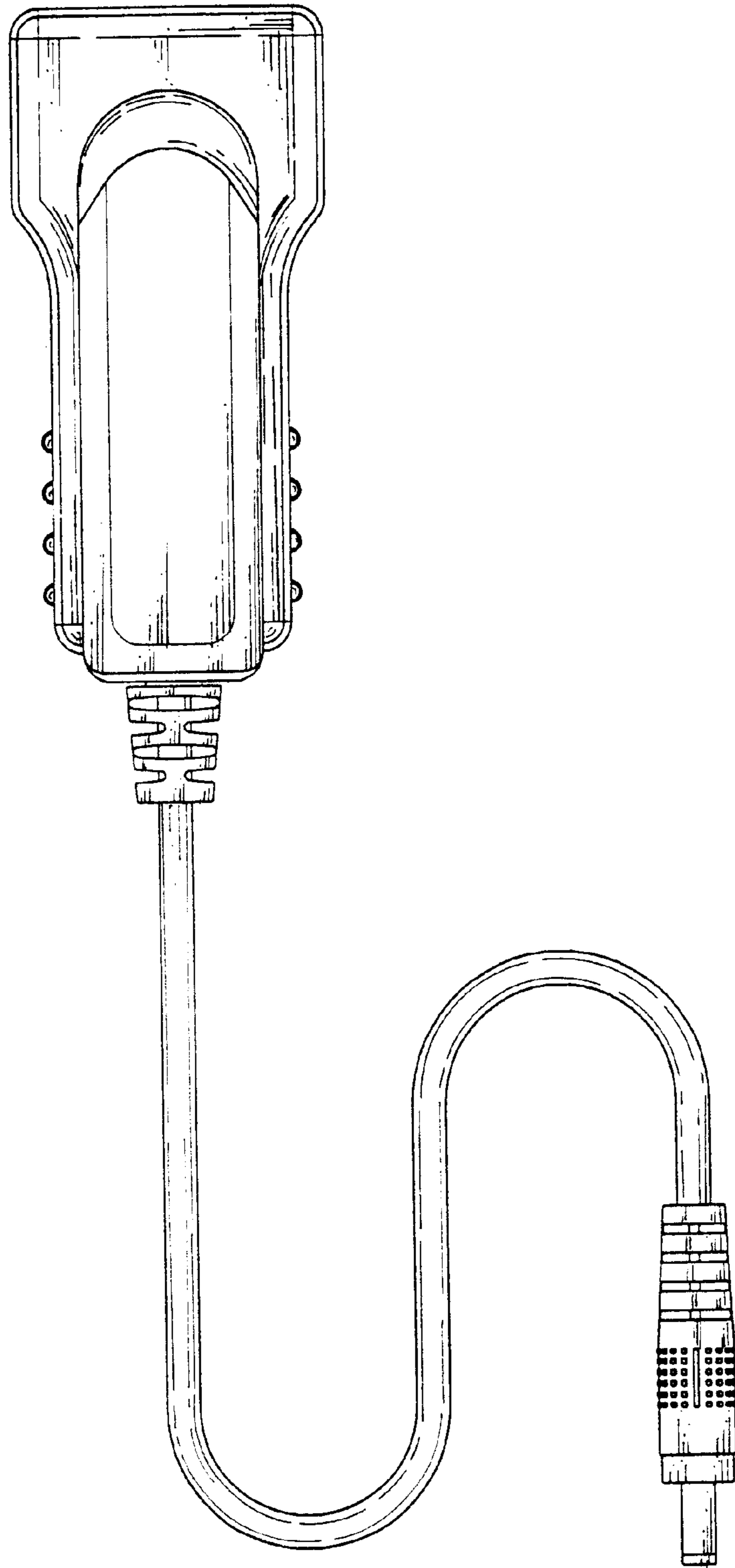


FIG. 2

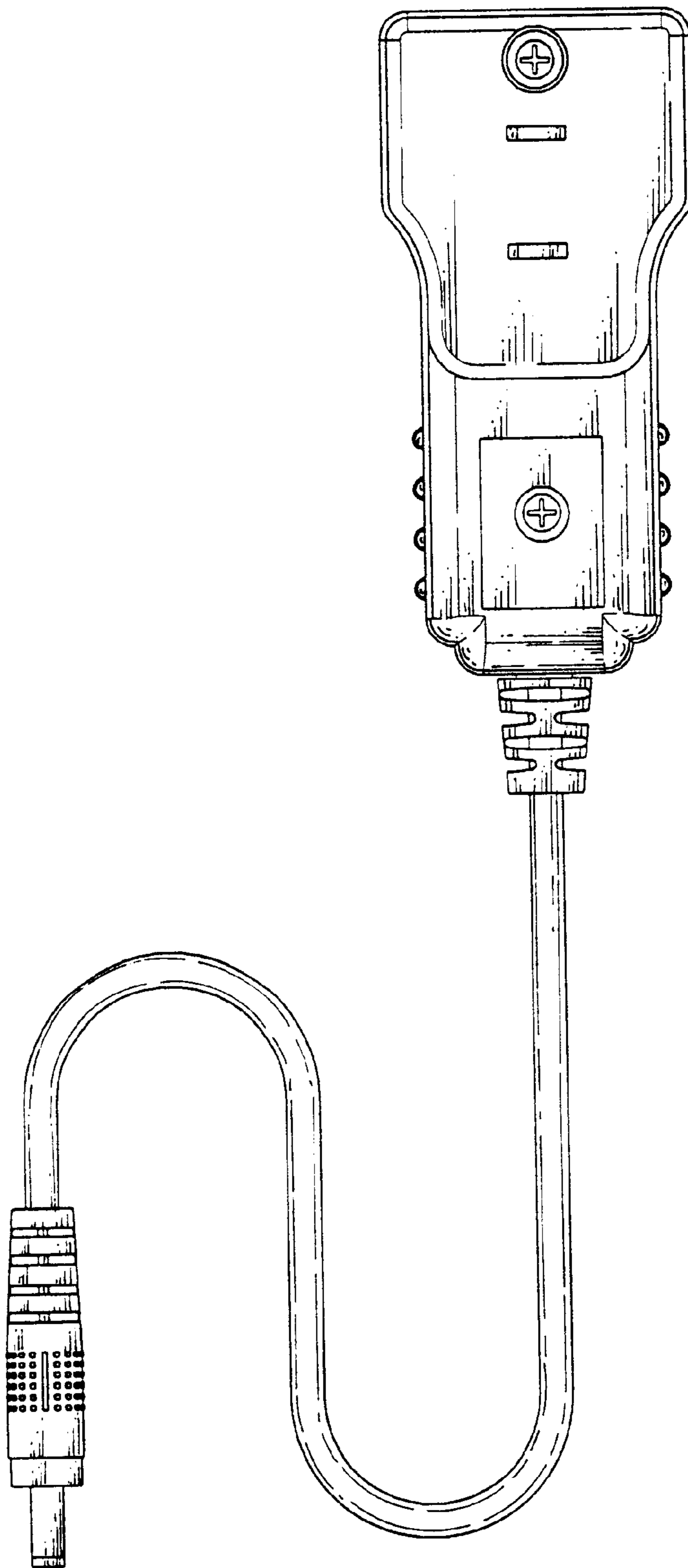


FIG. 3

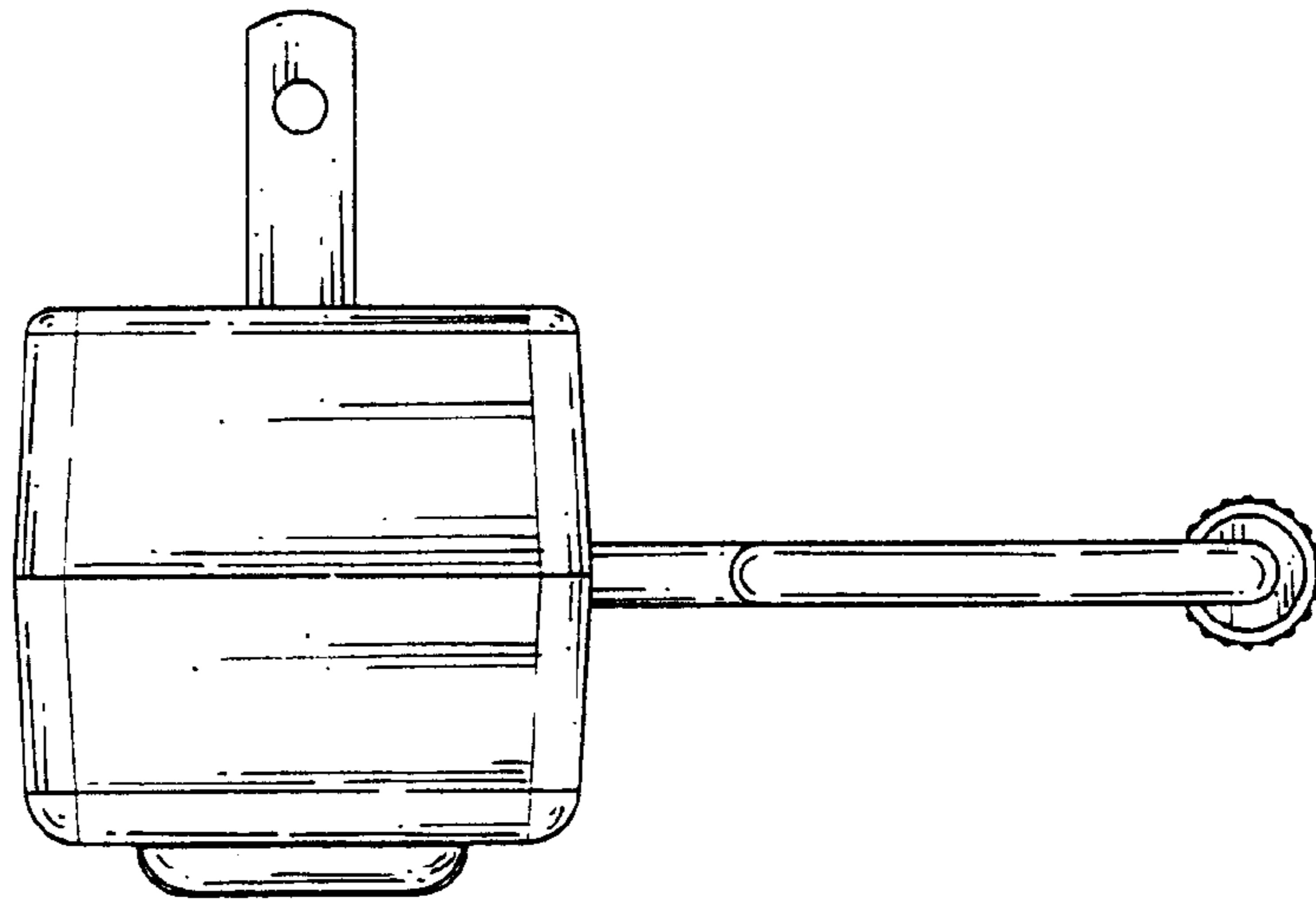


FIG. 4

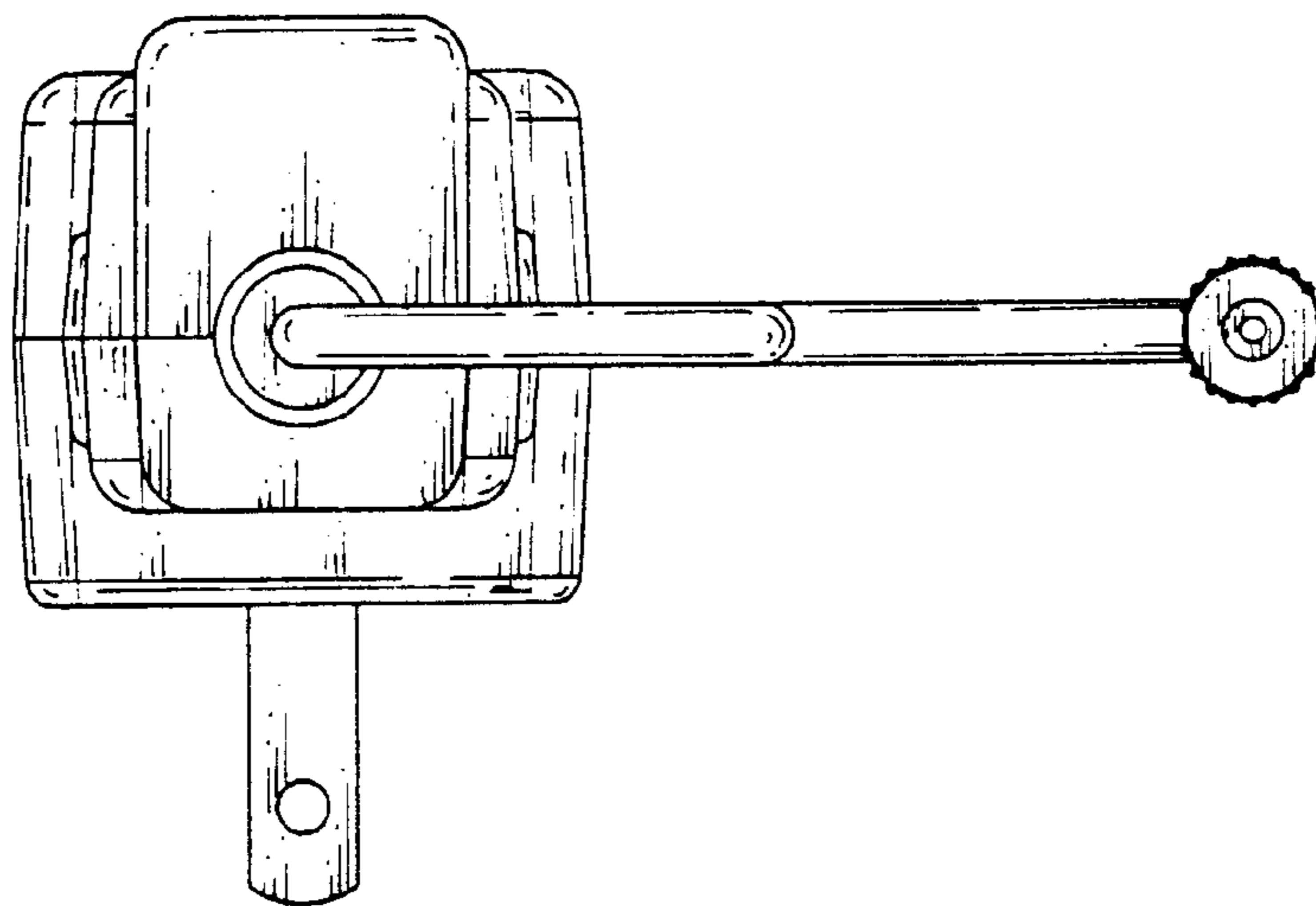


FIG. 5

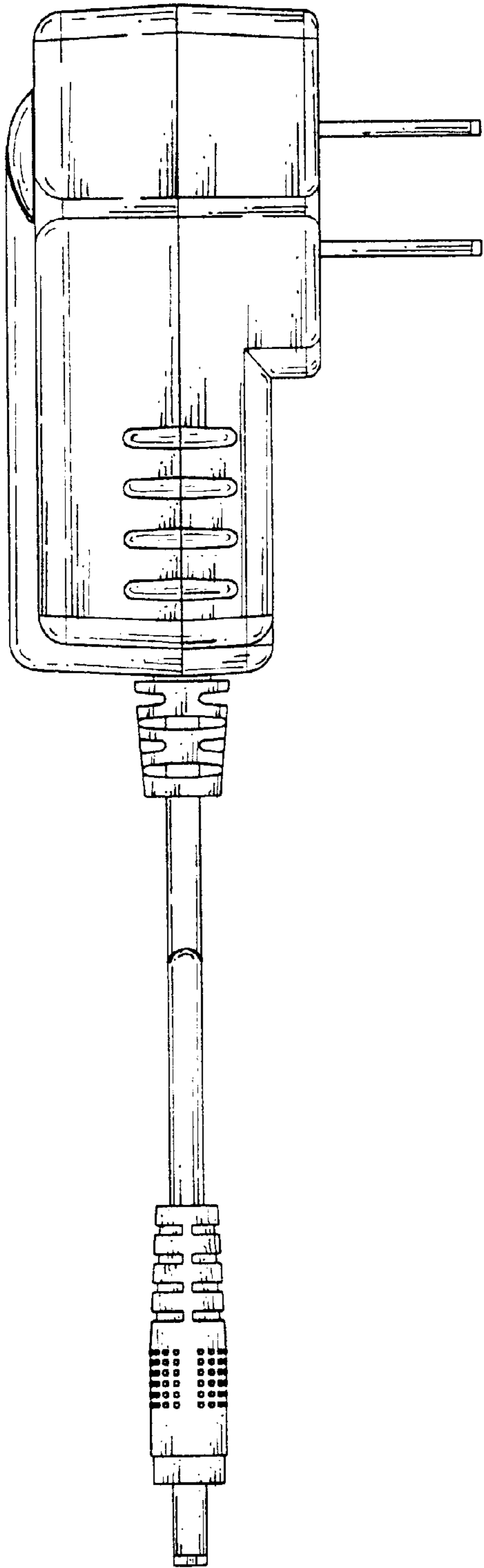


FIG. 7

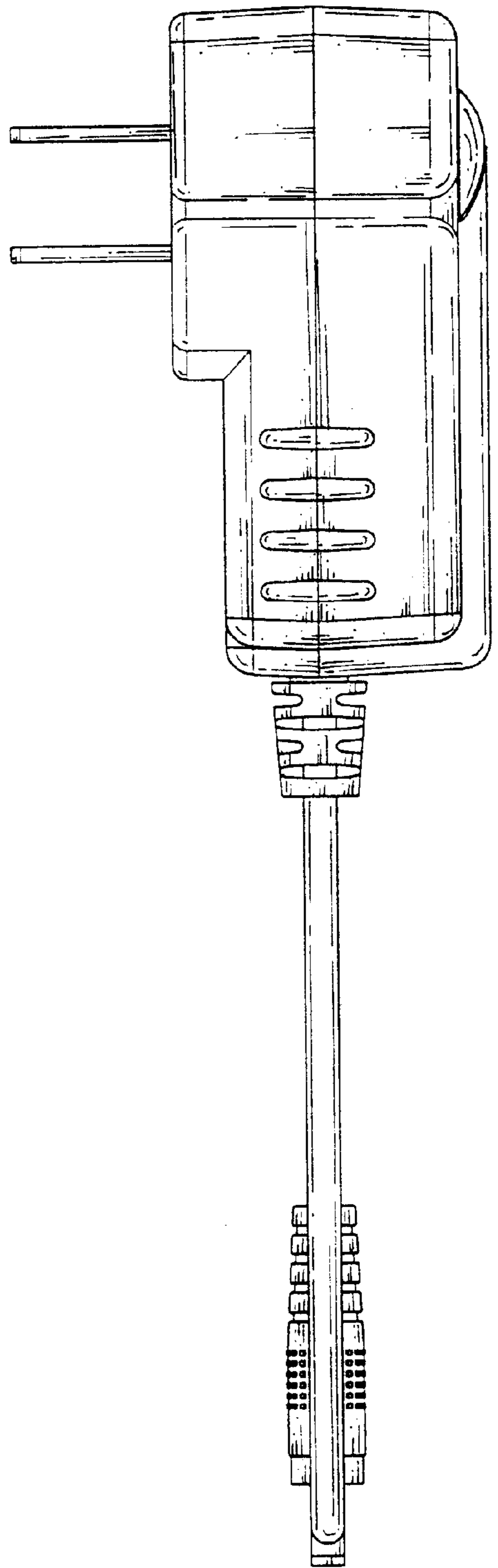


FIG. 6