



US00D474738S

(12) **United States Design Patent**
Ishii et al.

(10) **Patent No.:** **US D474,738 S**

(45) **Date of Patent:** **** May 20, 2003**

(54) **POWER SUPPLY APPARATUS**

RE37,482 E * 12/2001 Guay et al. D13/110

* cited by examiner

(75) Inventors: **Hideo Ishii**, Osaka (JP); **Masao Katooka**, Osaka (JP); **Yoshimasa Kawashima**, Osaka (JP)

Primary Examiner—Holly Baynham
(74) *Attorney, Agent, or Firm*—Duane Morris LLP

(73) Assignee: **Sansha Electric Manufacturing Company, Limited**, Osaka (JP)

(57) **CLAIM**

(**) Term: **14 Years**

The ornamental design for a power supply apparatus, as shown and described.

(21) Appl. No.: **29/161,683**

DESCRIPTION

(22) Filed: **May 31, 2002**

(51) **LOC (7) Cl.** **13-02**

(52) **U.S. Cl.** **D13/110**

(58) **Field of Search** D13/110; 361/704;
320/105; 307/150–151, 64

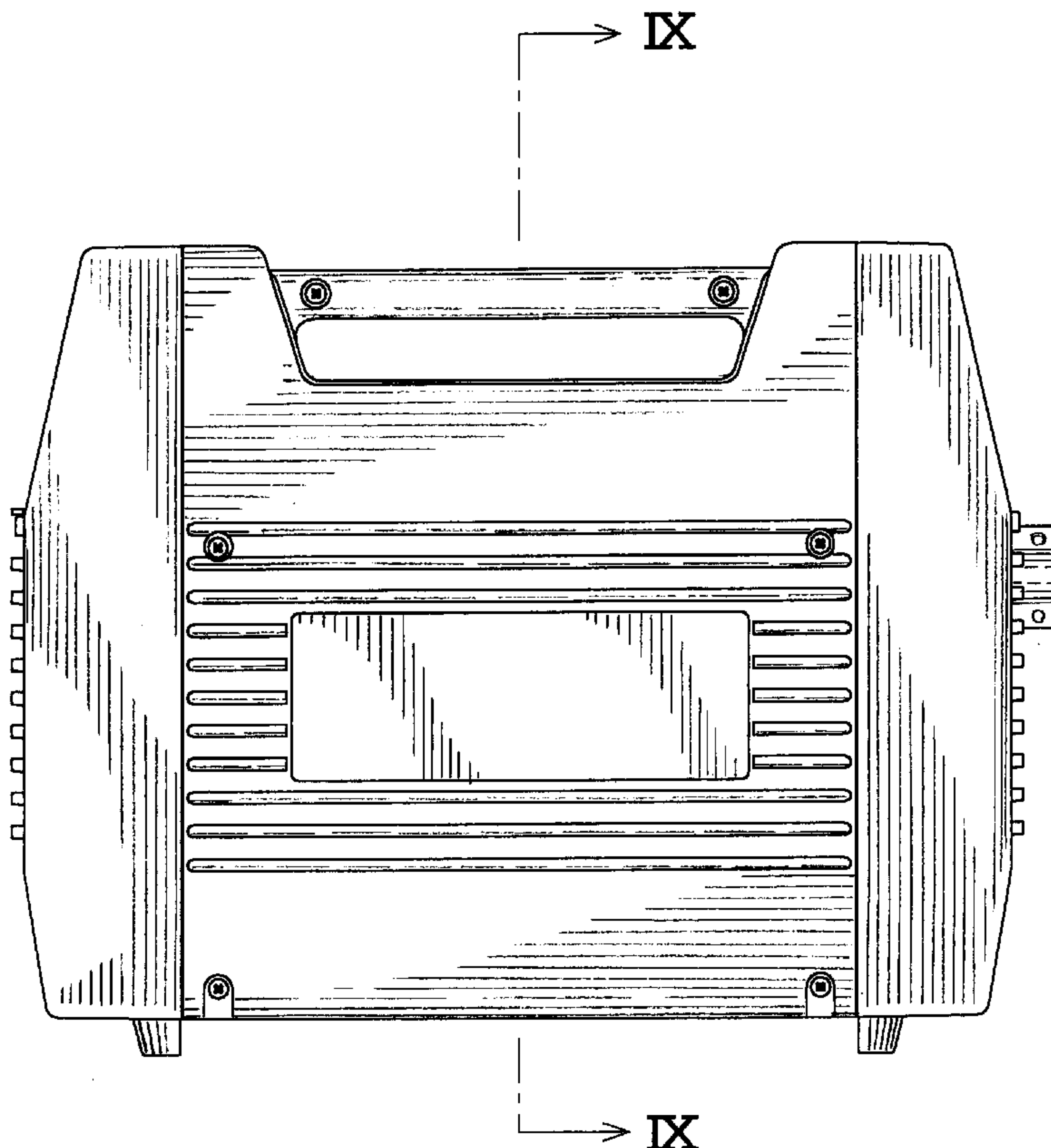
FIG. 1 is a front elevational view of a power supply apparatus according to our new design;
FIG. 2 is a rear elevational view of the power supply apparatus shown in FIG. 1;
FIG. 3 is a top plan view of the power supply apparatus shown in FIG. 1;
FIG. 4 is a bottom plan view of the power supply apparatus shown in FIG. 1;
FIG. 5 is a left side elevational view of the power supply apparatus shown in FIG. 1;
FIG. 6 is a right side elevational view of the power supply apparatus shown in FIG. 1;
FIG. 7 is a front, left perspective view of the power supply apparatus shown in FIG. 1; and,
FIG. 8 is a rear, right perspective view of the power supply apparatus shown in FIG. 1.

(56) **References Cited**

U.S. PATENT DOCUMENTS

D377,335 S	*	1/1997	Katooka et al.	D13/110
D386,148 S	*	11/1997	Katooka et al.	D13/110
D407,065 S	*	3/1999	Chang	D13/110
D413,098 S	*	8/1999	Dayan	D13/110
D423,451 S	*	4/2000	Heckenast et al.	D13/110
D444,125 S	*	6/2001	Shy	D13/110
D446,500 S	*	8/2001	Krieger et al.	D13/110

1 Claim, 8 Drawing Sheets



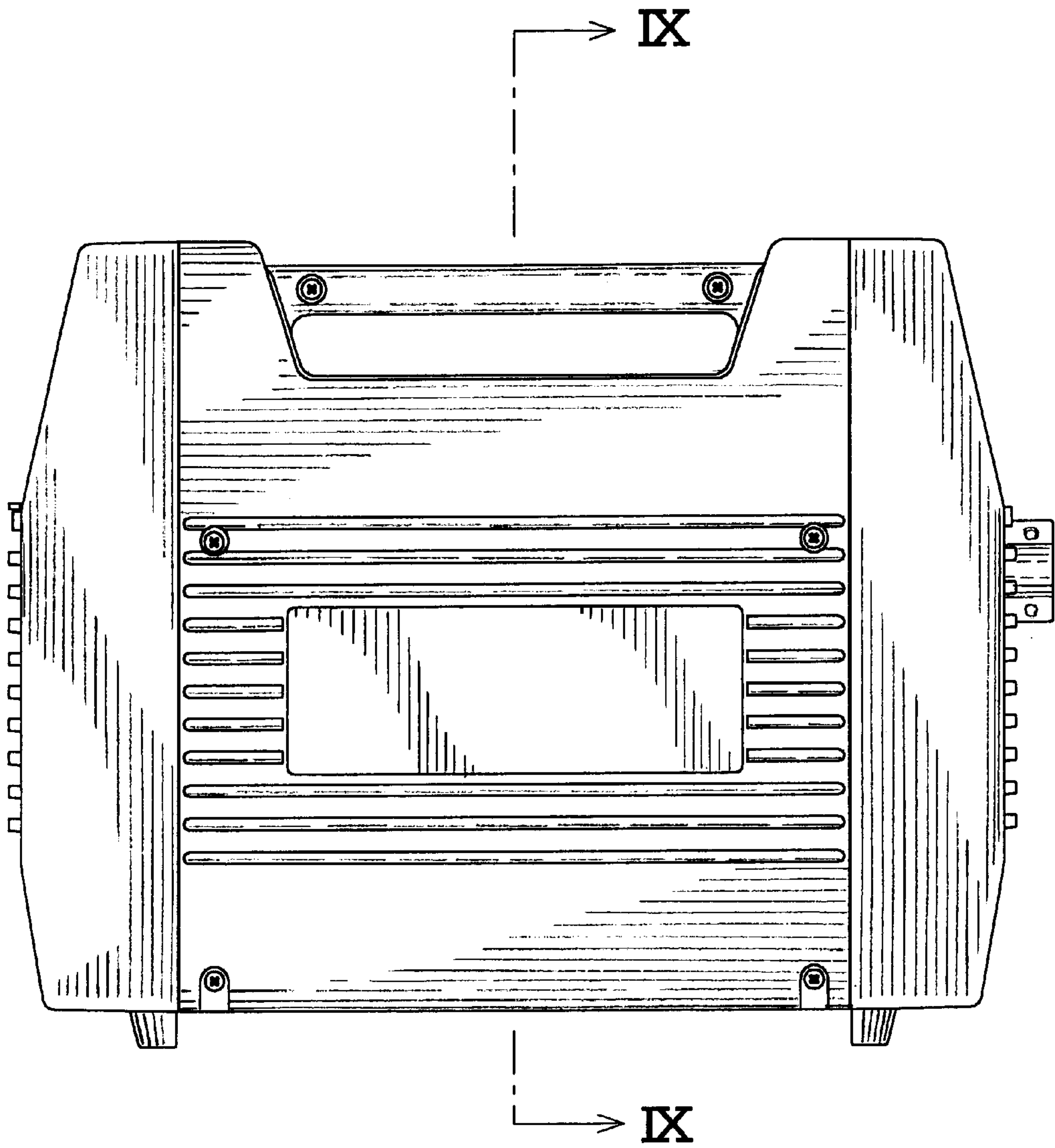


FIG. 1

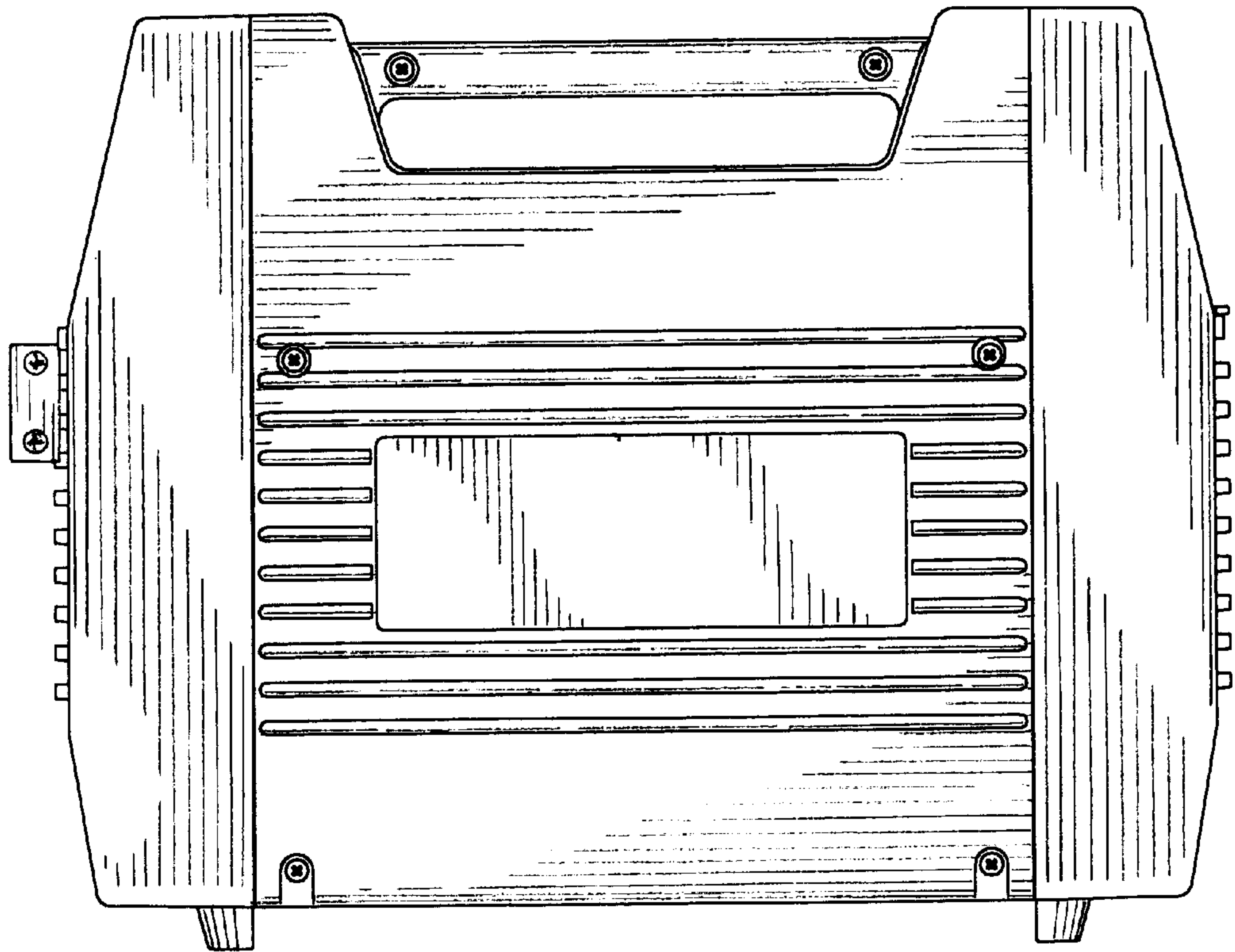


FIG. 2

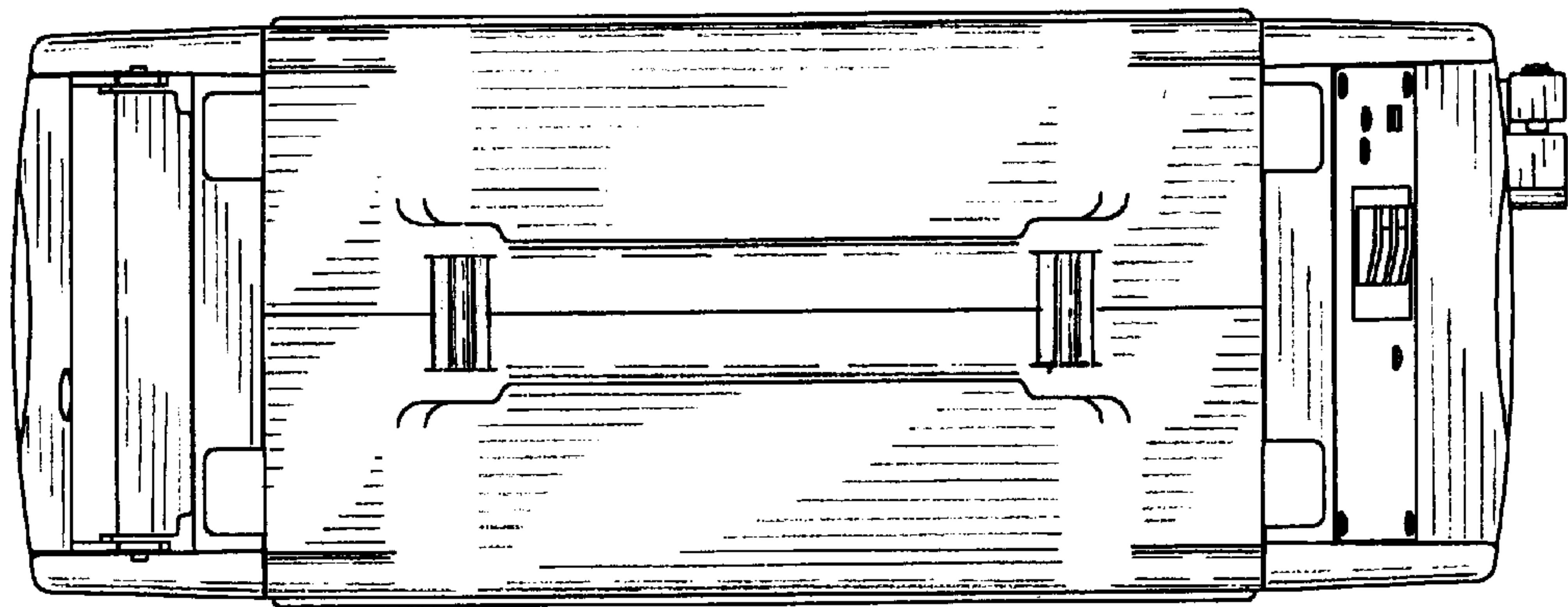


FIG. 3

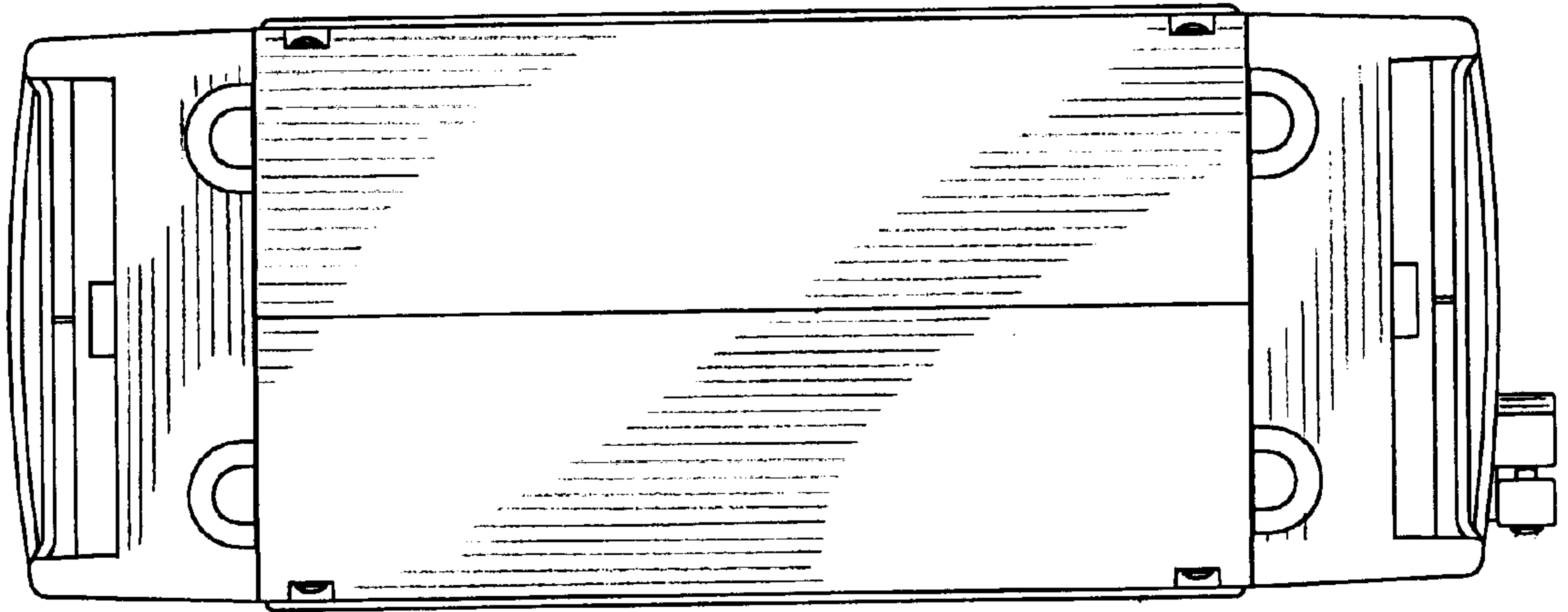


FIG. 4

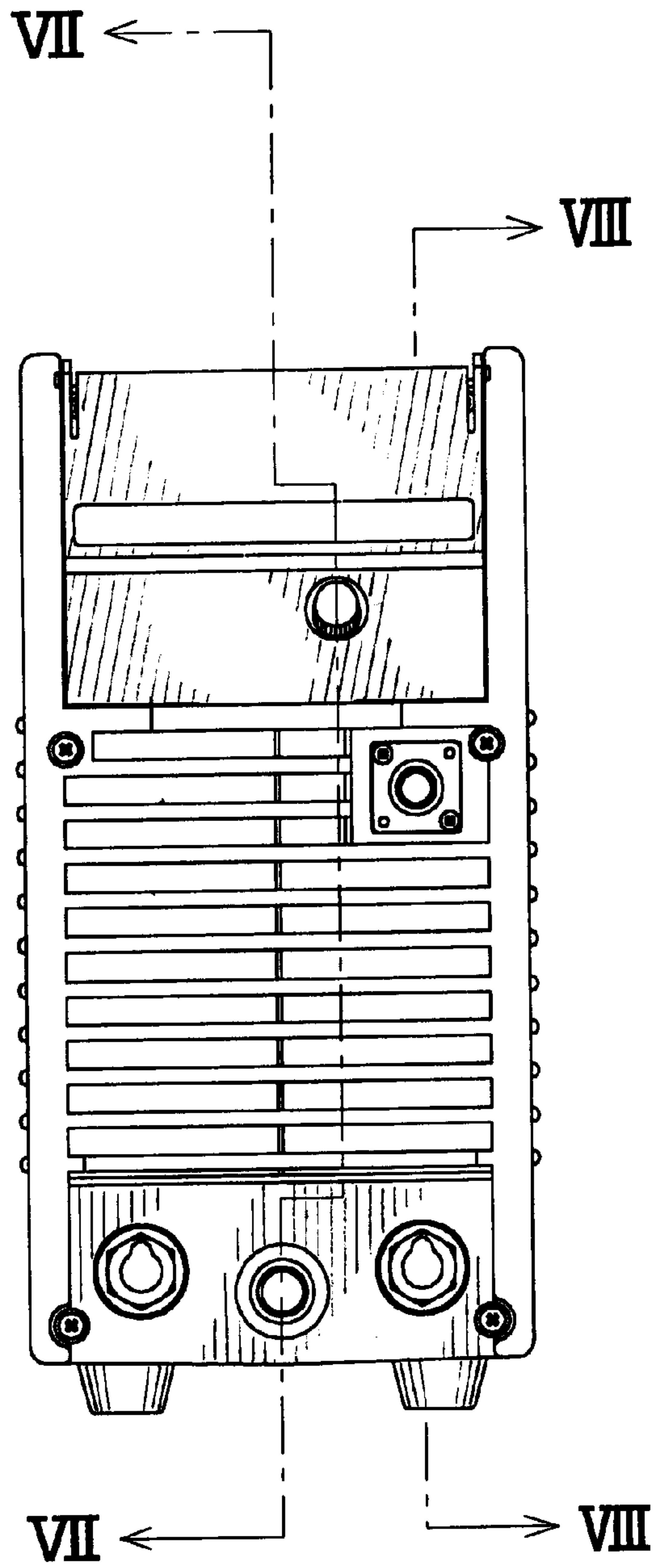


FIG. 5

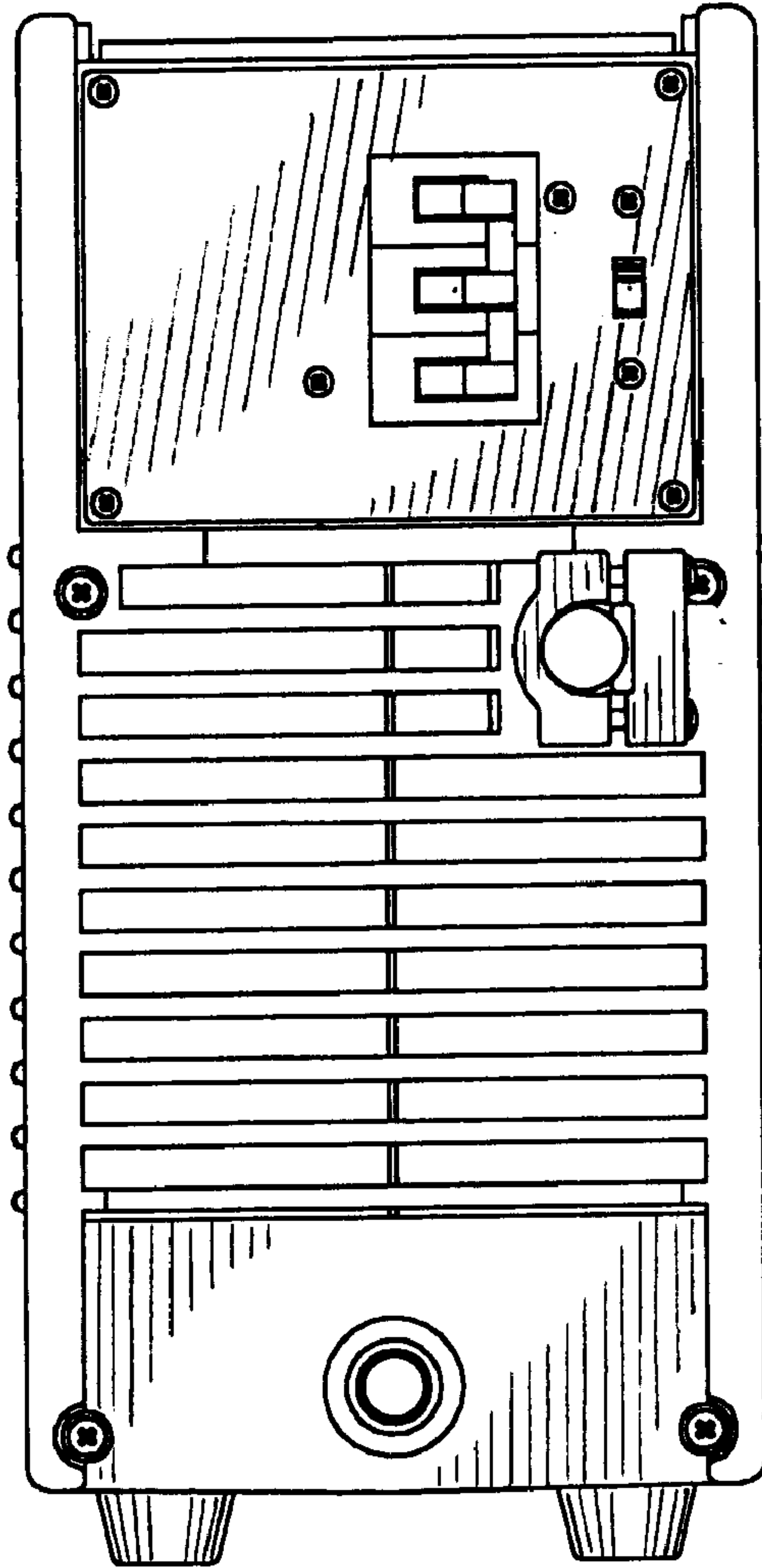


FIG. 6

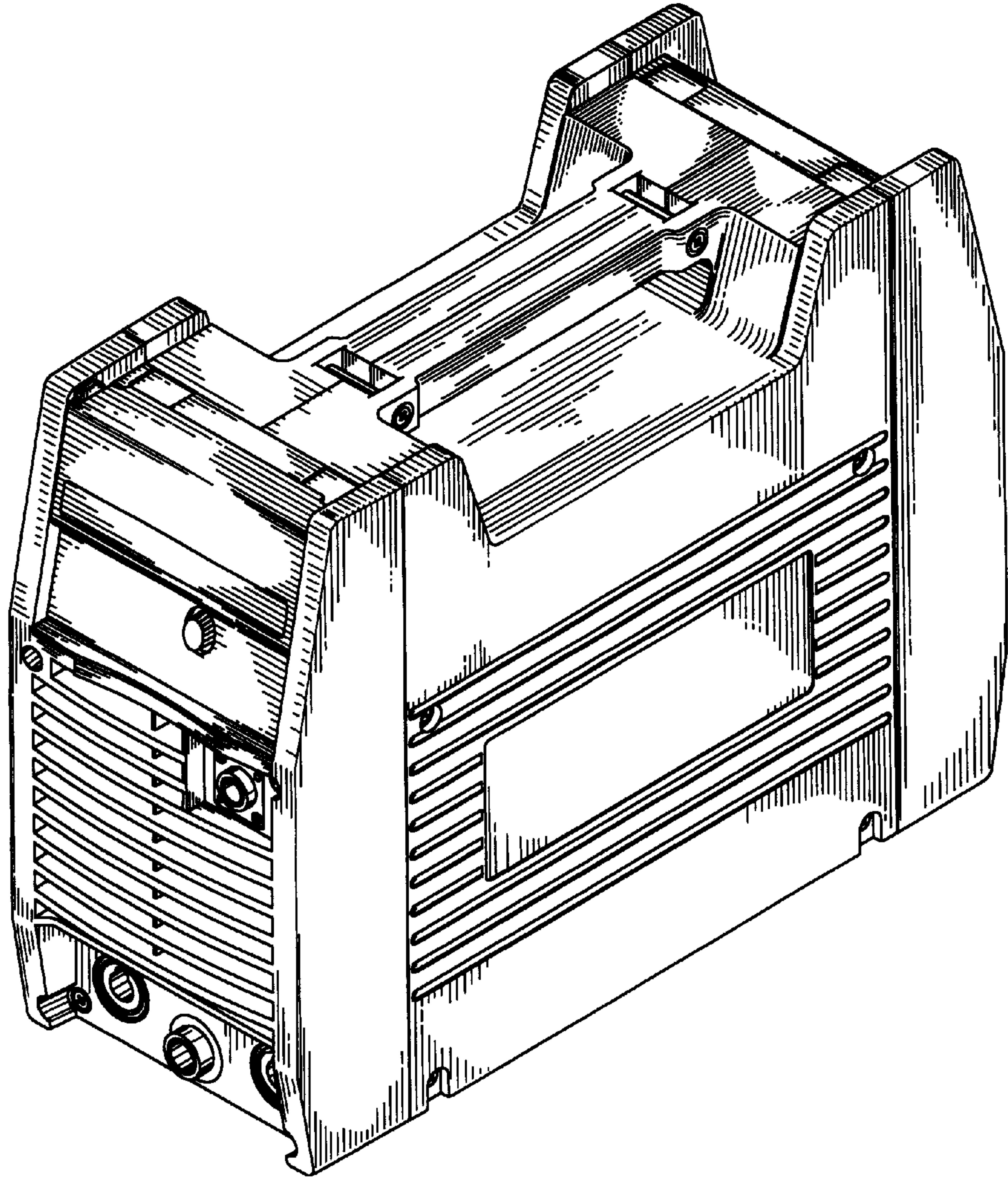


FIG. 7

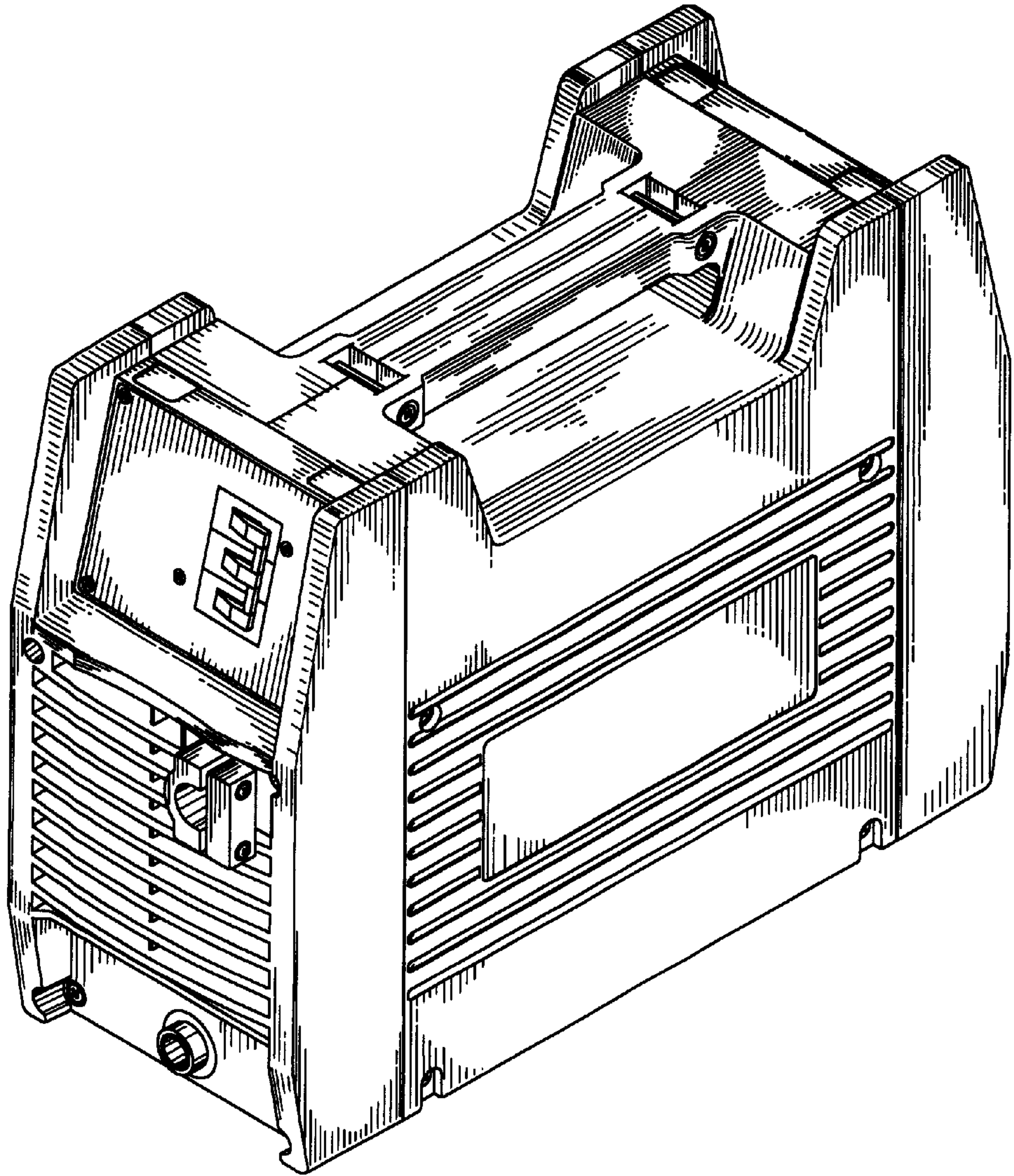


FIG. 8