



US00D474737S

(12) **United States Design Patent**
Yoshida

(10) **Patent No.:** **US D474,737 S**

(45) **Date of Patent:** **** May 20, 2003**

(54) **BATTERY CHARGER FOR ELECTRONIC STILL CAMERA**

(75) Inventor: **Koji Yoshida, Tokyo (JP)**

(73) Assignee: **Fuji Photo Film Co., Ltd., Kanagawa (JP)**

(**) Term: **14 Years**

(21) Appl. No.: **29/164,626**

(22) Filed: **Jul. 30, 2002**

(30) **Foreign Application Priority Data**

Mar. 25, 2002 (JP) 2002-007640

(51) **LOC (7) Cl.** **13-02**

(52) **U.S. Cl.** **D13/108; D16/219**

(58) **Field of Search** **D13/107, 108; D16/219; 320/107-115**

(56) **References Cited**

U.S. PATENT DOCUMENTS

- D323,504 S * 1/1992 Langton D14/142
- 5,195,183 A * 3/1993 Miller et al. 395/200.61
- D344,708 S * 3/1994 Ho D13/108
- D353,371 S * 12/1994 Delhaes D13/108 X
- 6,043,625 A * 3/2000 Dowe 320/106
- D442,141 S * 5/2001 Ikenaga D13/107
- D445,087 S * 7/2001 Skoger et al. D13/108

- 6,429,625 B1 * 8/2002 LeFevre et al. 320/155
- 6,483,698 B1 * 11/2002 Loh 320/113 X
- 2002/0149695 A1 * 10/2002 Kayanuma 348/375
- 2002/0186317 A1 * 12/2002 Kayanuma 348/373

FOREIGN PATENT DOCUMENTS

- GB 2080580 * 4/1999
- GB 2092432 * 4/2000

* cited by examiner

Primary Examiner—Joel Sincavage

(74) *Attorney, Agent, or Firm*—Young & Thompson

(57) **CLAIM**

The ornamental design for a battery charger for electronic still camera, as shown.

DESCRIPTION

FIG. 1 is a top, front and side perspective view of a battery charger for electronic still camera, showing my new design; FIG. 2 is a front elevational view thereof; FIG. 3 is a rear elevational view thereof; FIG. 4 is a top plan view thereof; FIG. 5 is a bottom plan view thereof; FIG. 6 is a side elevational view thereof from the right of FIG. 2; and, FIG. 7 is a side elevational view thereof from the left of FIG. 2.

1 Claim, 4 Drawing Sheets

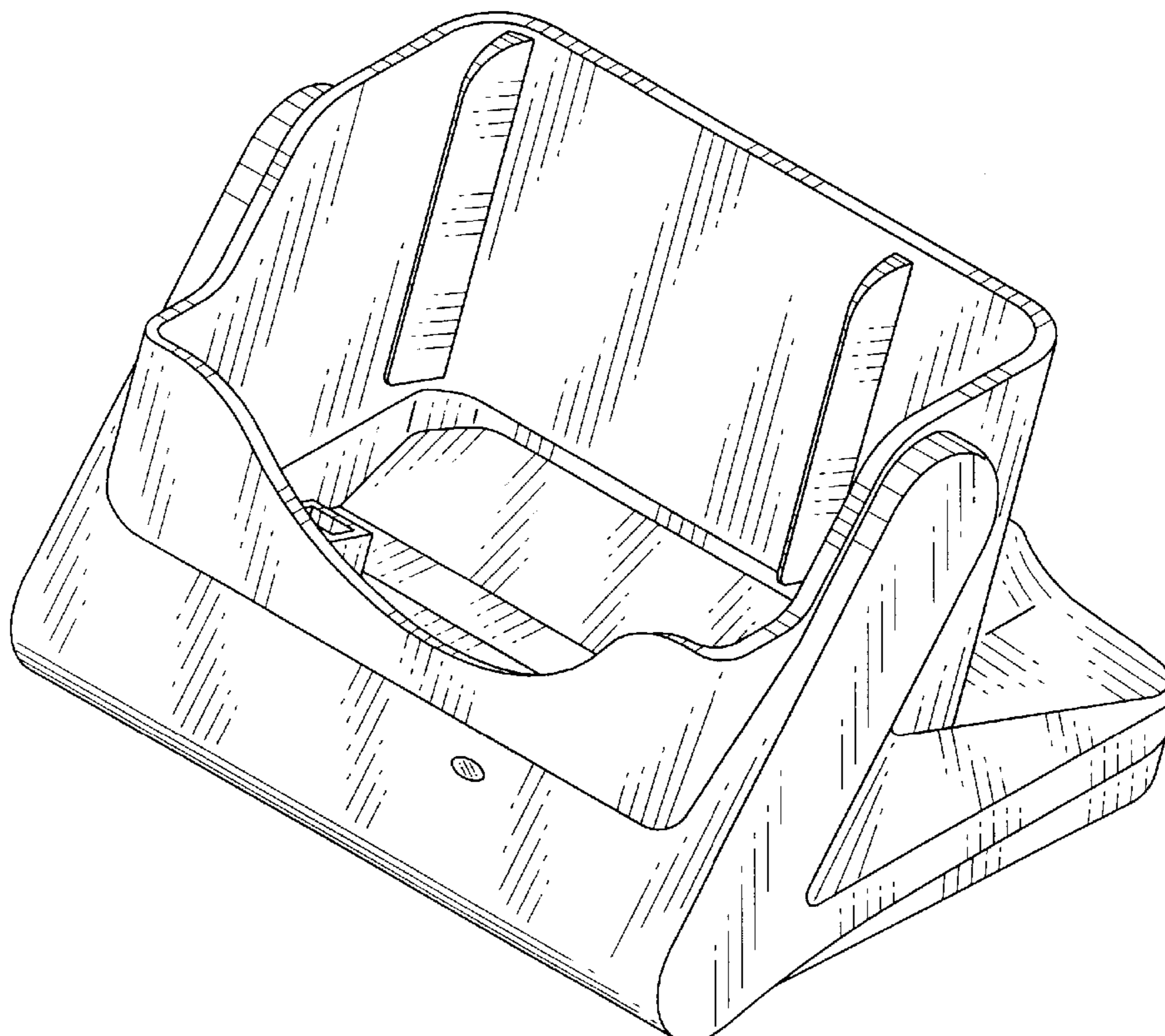


FIG. 1

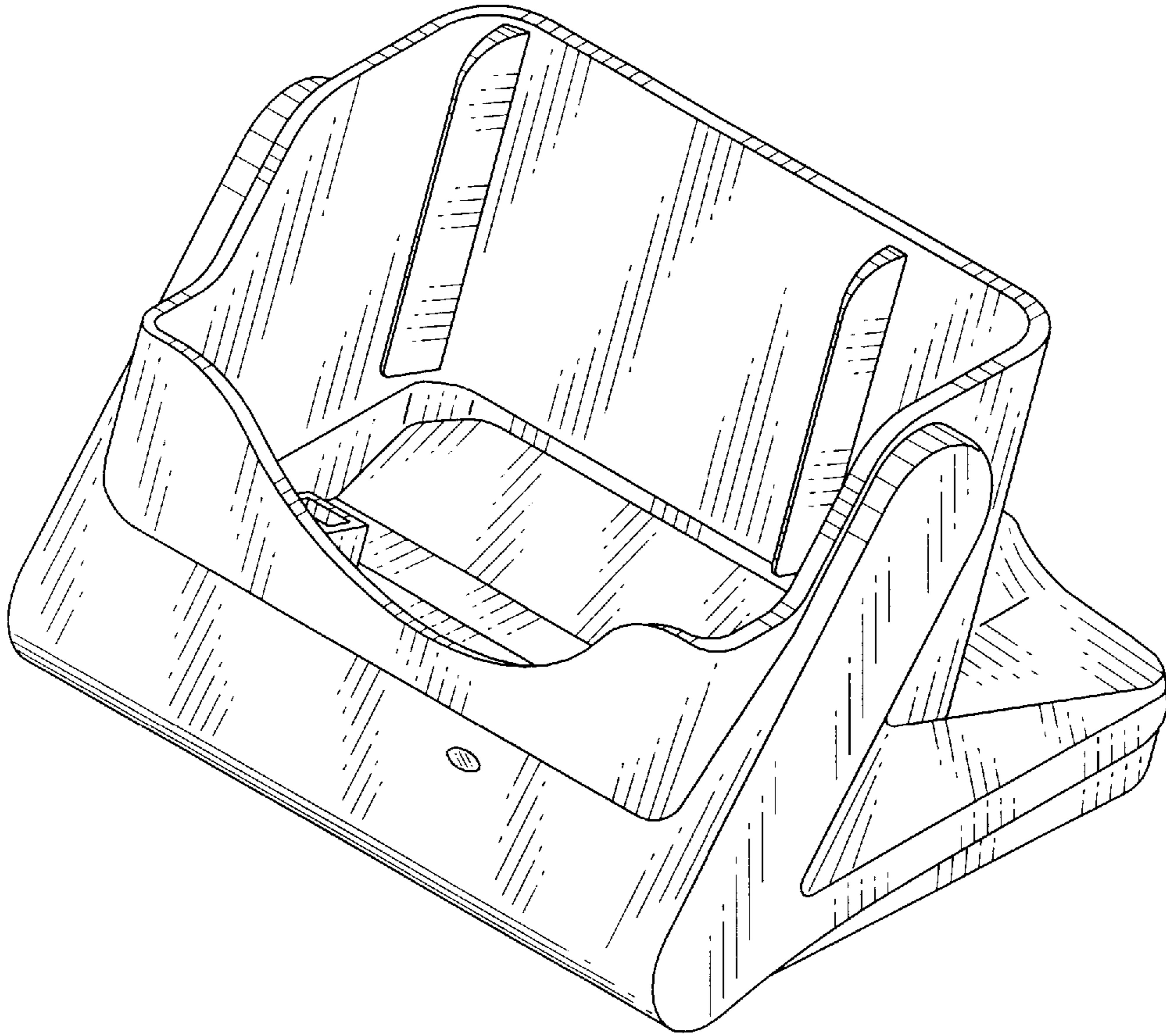


FIG. 2

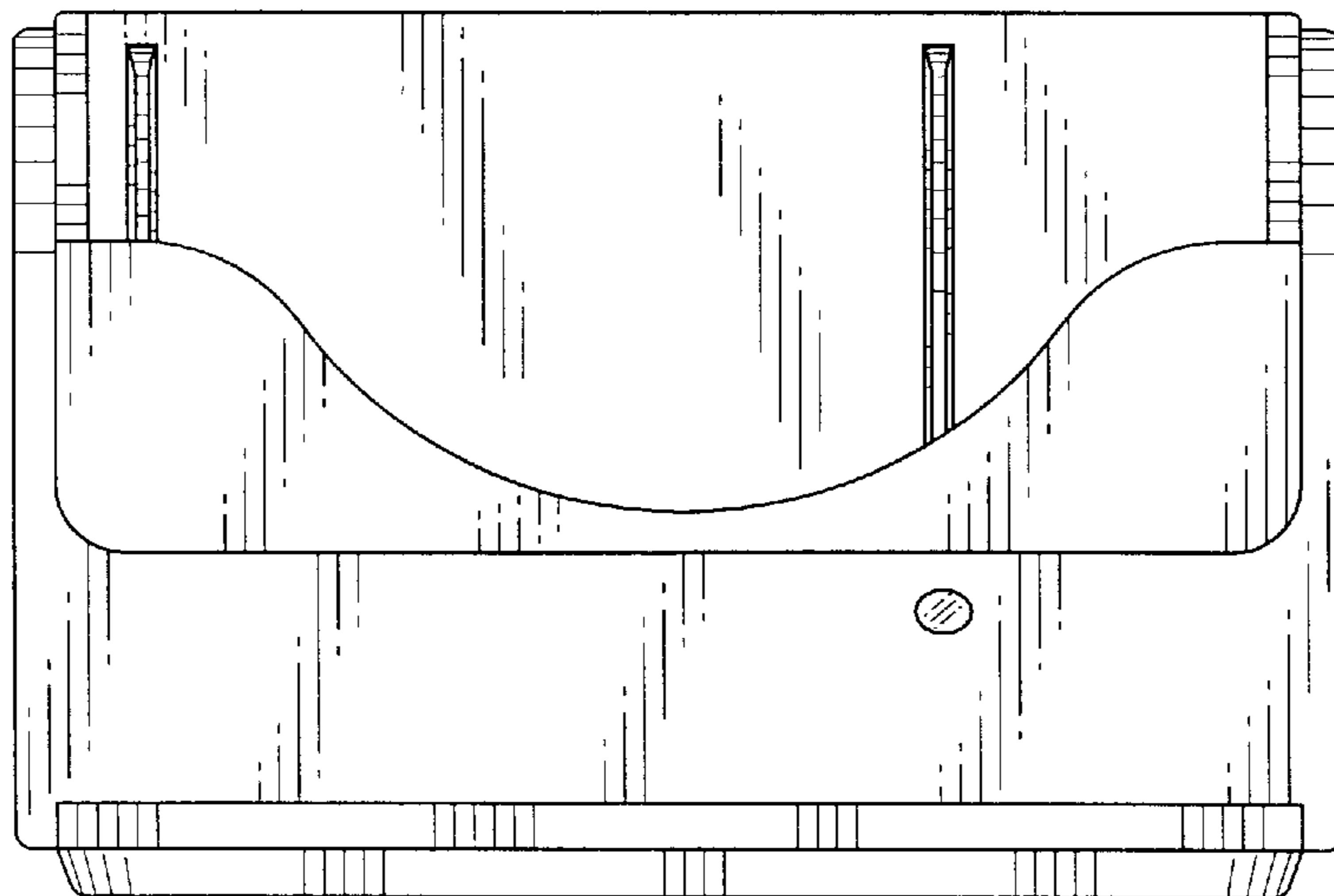


FIG. 3

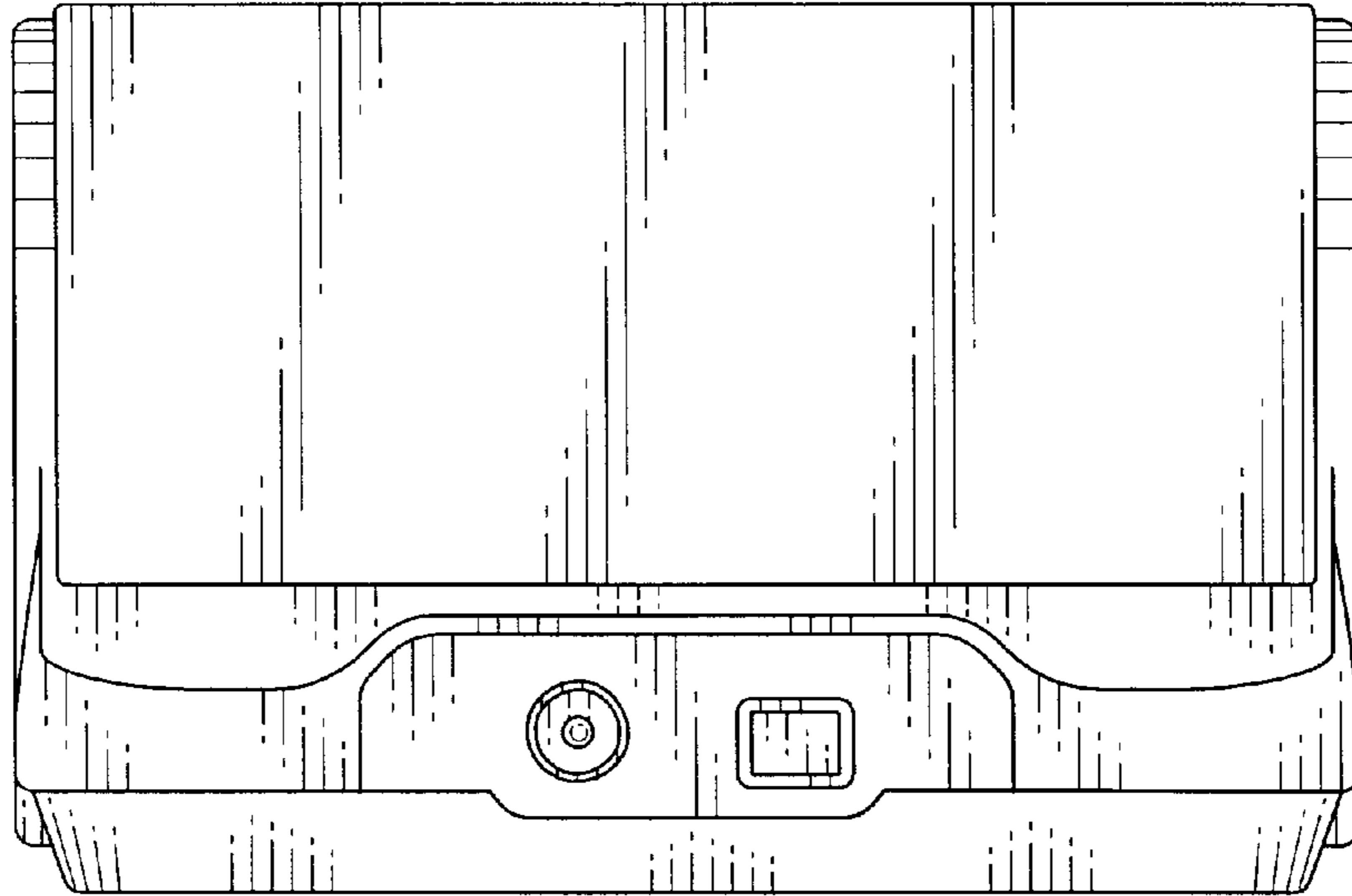


FIG. 4

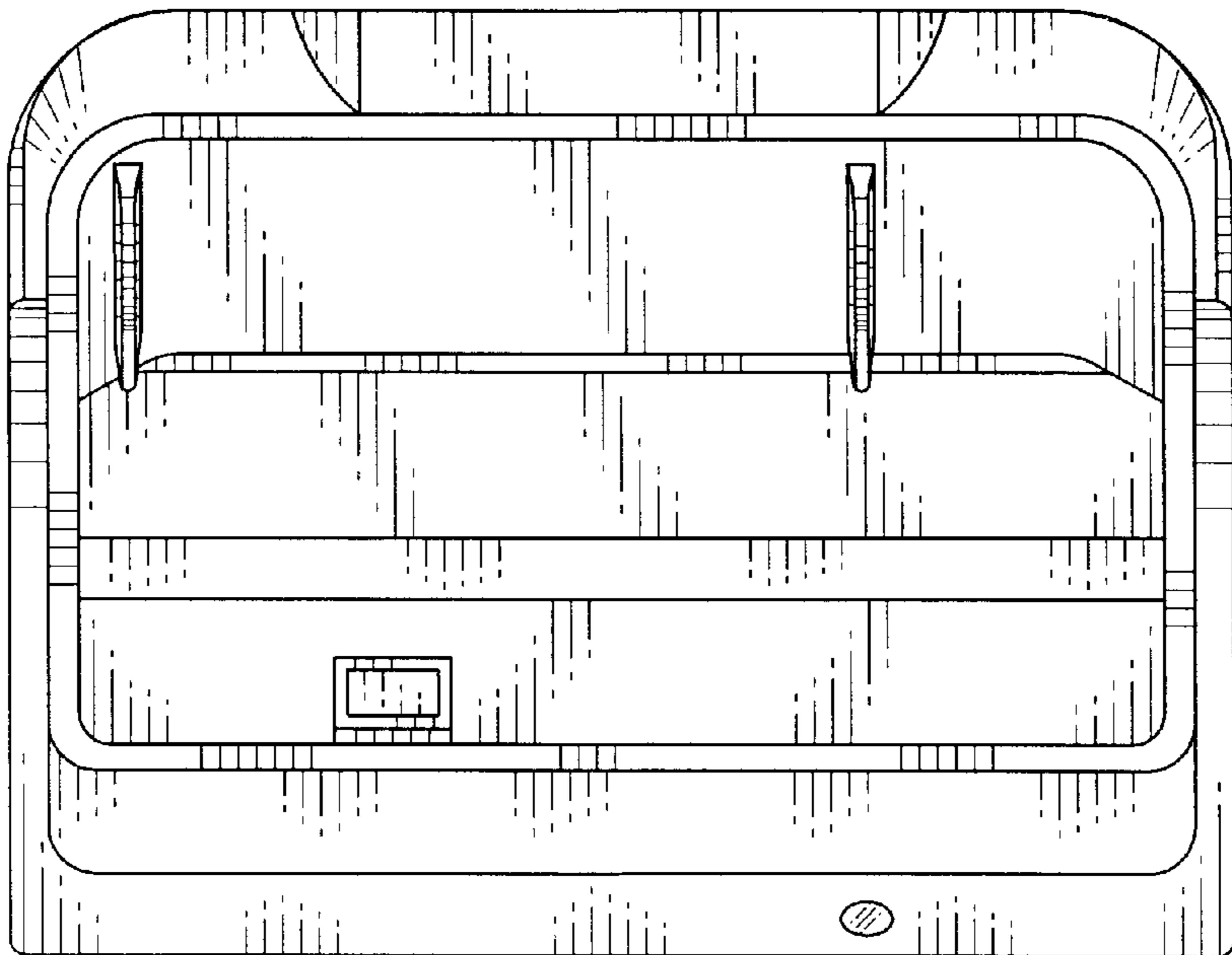


FIG. 5

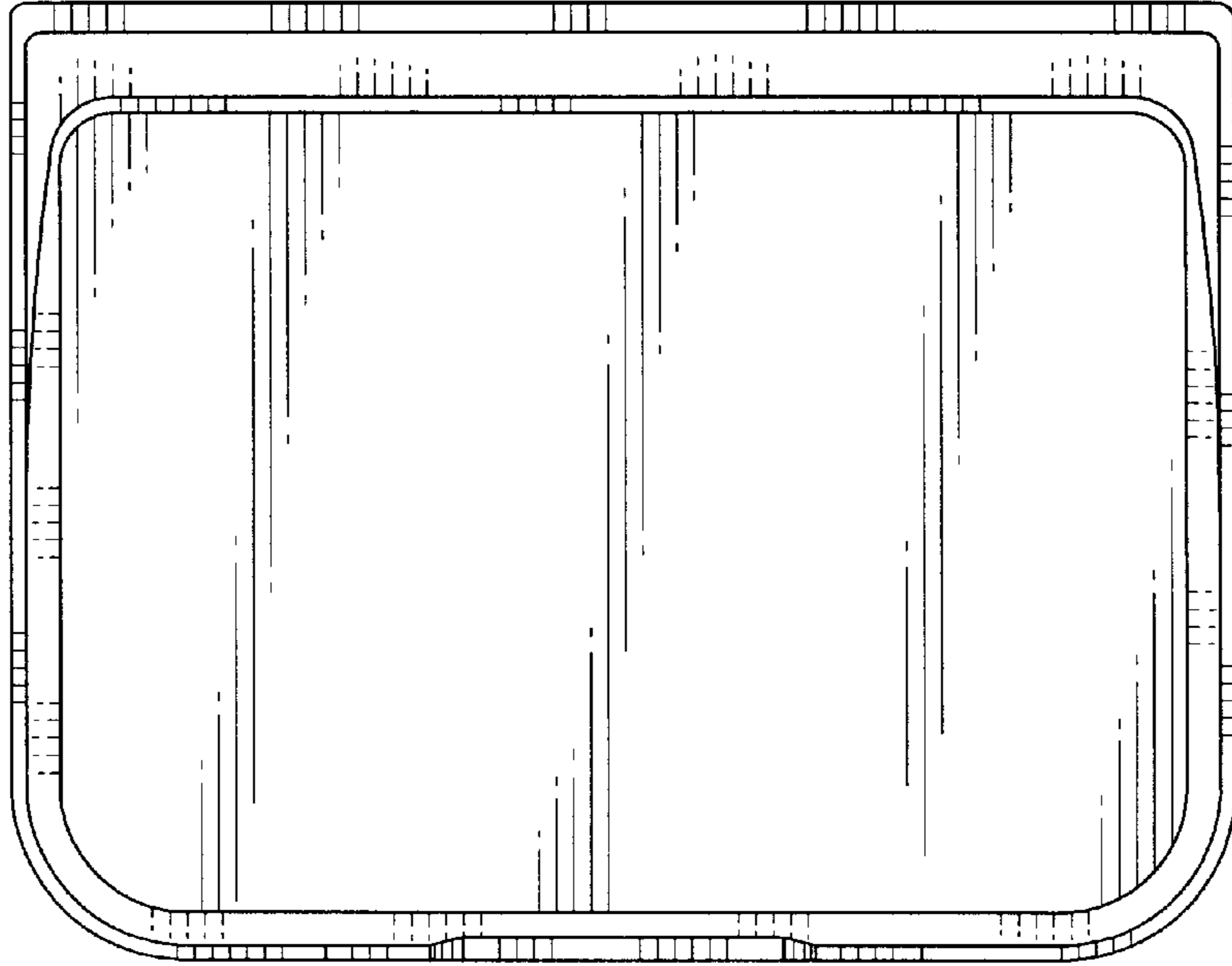


FIG. 6

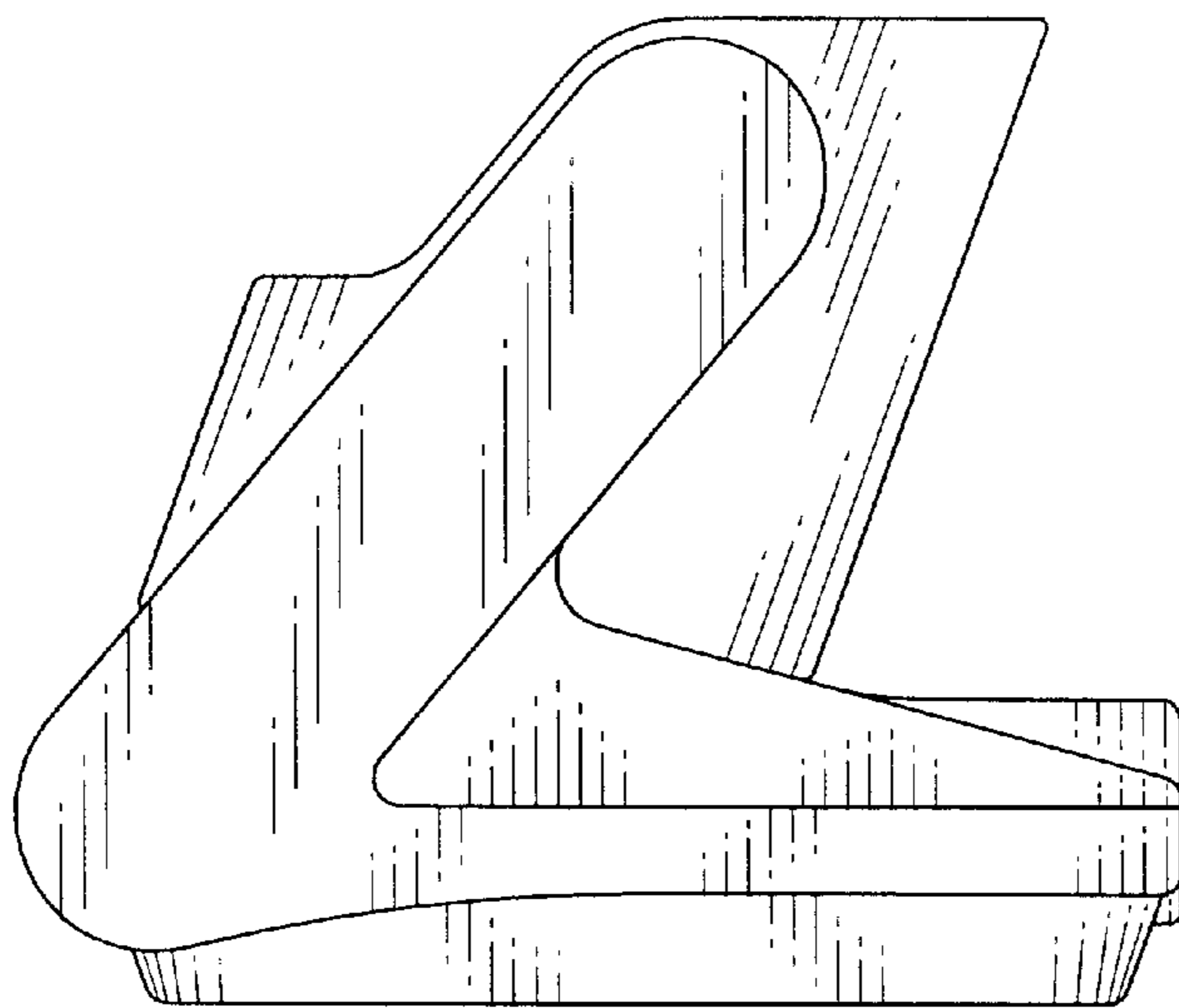


FIG. 7

