



US00D474736S

(12) **United States Design Patent**
Sagawa

(10) **Patent No.:** **US D474,736 S**

(45) **Date of Patent:** **** May 20, 2003**

(54) **CHARGER FOR PORTABLE TERMINALS**

FOREIGN PATENT DOCUMENTS

(75) Inventor: **So Sagawa**, Ota-ku (JP)
(73) Assignee: **Kabushiki Kaisha Toshiba** (JP)
(**) Term: **14 Years**

JP 1092865 12/2000
JP 1112687 6/2001
JP 1126320 11/2001

(21) Appl. No.: **29/164,322**
(22) Filed: **Jul. 24, 2002**

OTHER PUBLICATIONS

AIWA AM-HX200, Apr. 18, 2001.
SHARP MD-ST70, Mar. 14, 2001.

(30) **Foreign Application Priority Data**

* cited by examiner

Jan. 31, 2002 (JP) 2002-002137

Primary Examiner—Joel Sincavage
(74) *Attorney, Agent, or Firm*—Banner & Witcoff, Ltd.

(51) **LOC (7) Cl.** **13-02**
(52) **U.S. Cl.** **D13/108**
(58) **Field of Search** D13/107, 108;
320/107-115

(57) **CLAIM**

The ornamental design for a charger for portable terminals, as shown and described.

(56) **References Cited**

DESCRIPTION

U.S. PATENT DOCUMENTS

D277,662 S * 2/1985 Huntington et al. D13/107
D363,917 S * 11/1995 Kanou et al. D13/108
D366,237 S * 1/1996 Yang D13/108
D399,244 S * 10/1998 Coveley D13/107 X
D435,253 S * 12/2000 Oden, II et al. D13/108 X
6,265,845 B1 * 7/2001 Bo et al. 320/113
D455,397 S * 4/2002 Weiner et al. D13/108

FIG. 1 is a top, front and left side perspective view of a charger for portable terminals showing my new design, FIG. 2 is a front elevational view thereof, FIG. 3 is a top plan view thereof; FIG. 4 is a bottom plan view thereof, FIG. 5 is a right side elevational view thereof, a left side elevational view being a mirror image thereof; and, FIG. 6 is a rear elevational view thereof.

1 Claim, 3 Drawing Sheets

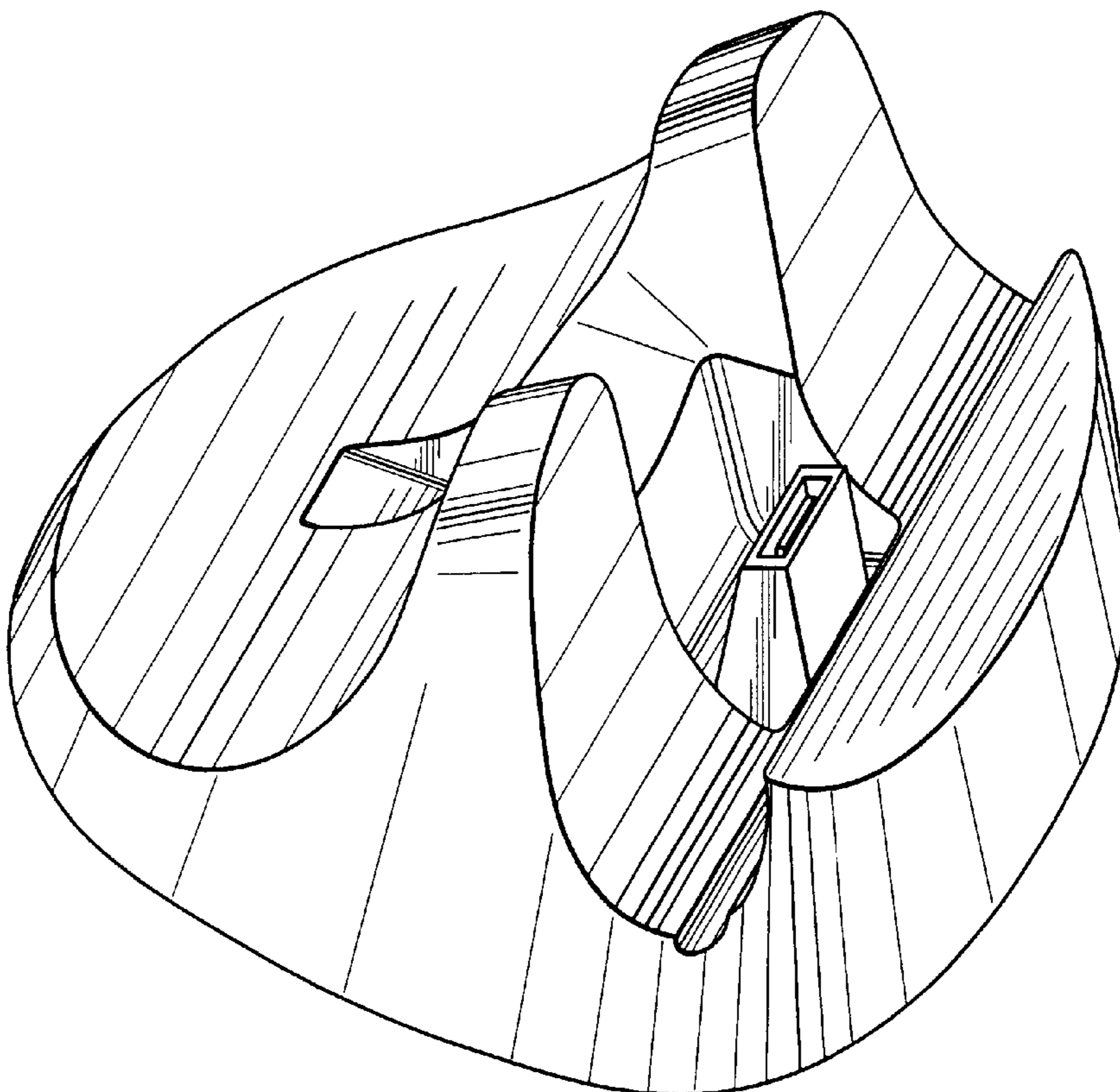


FIG. 1

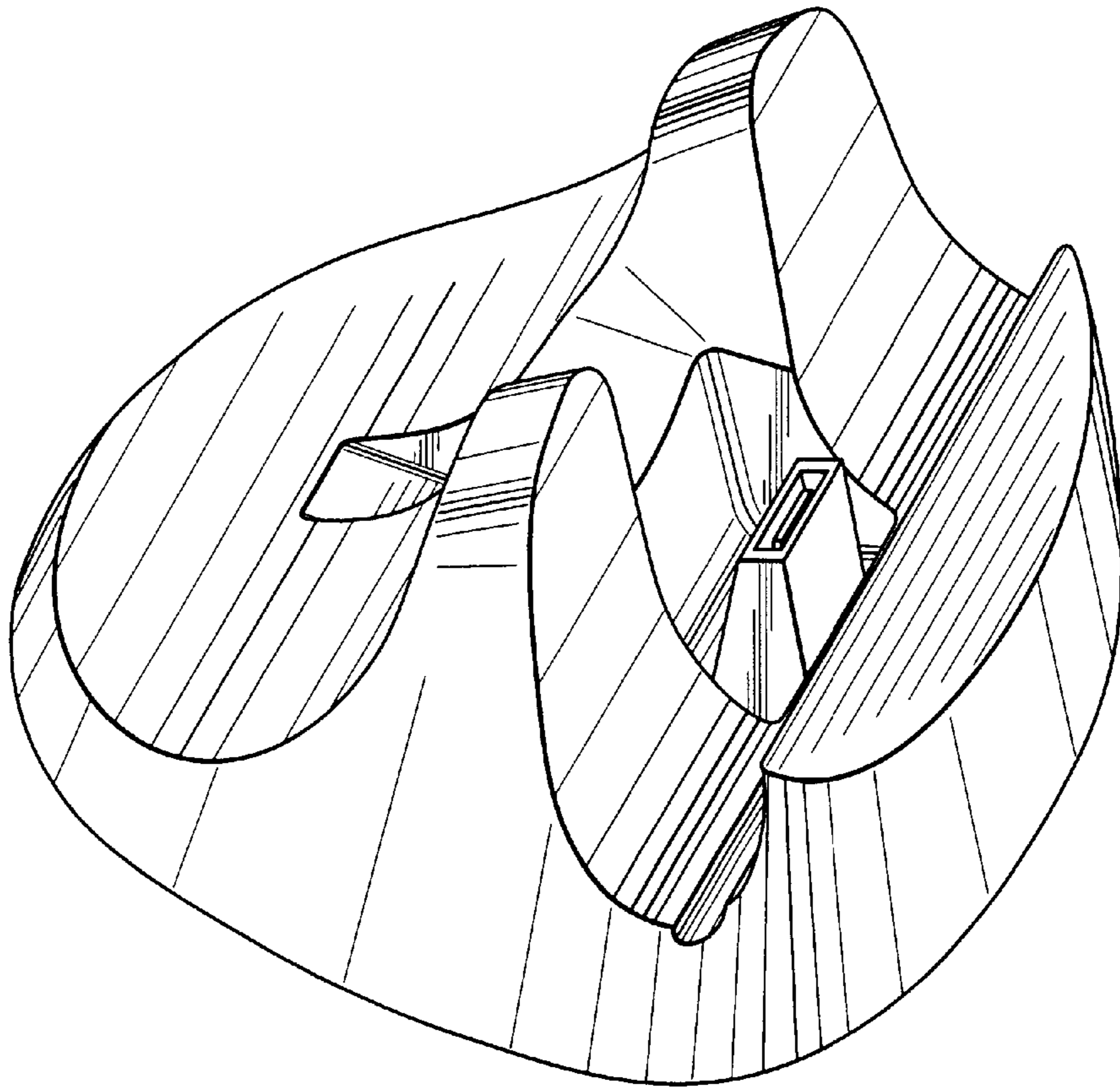


FIG. 2

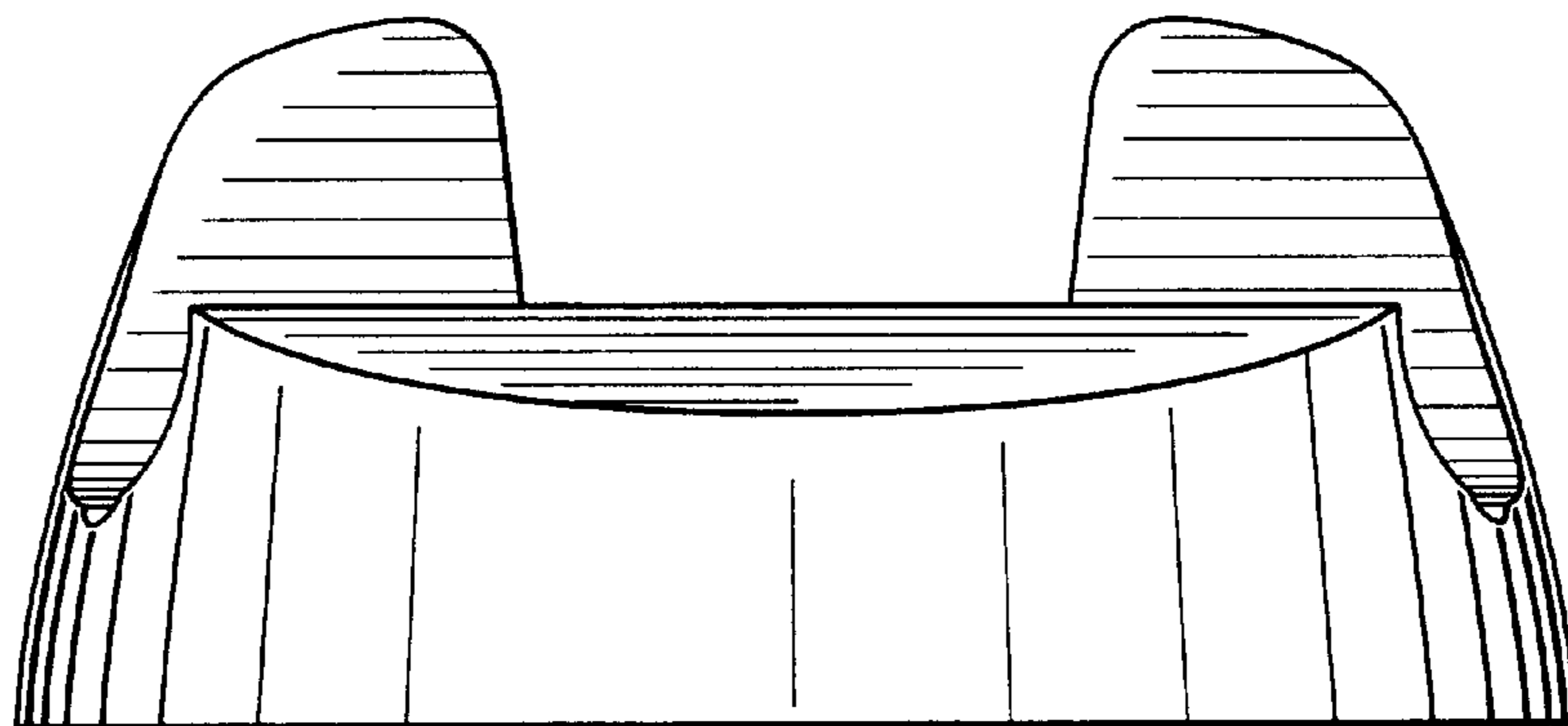


FIG. 3

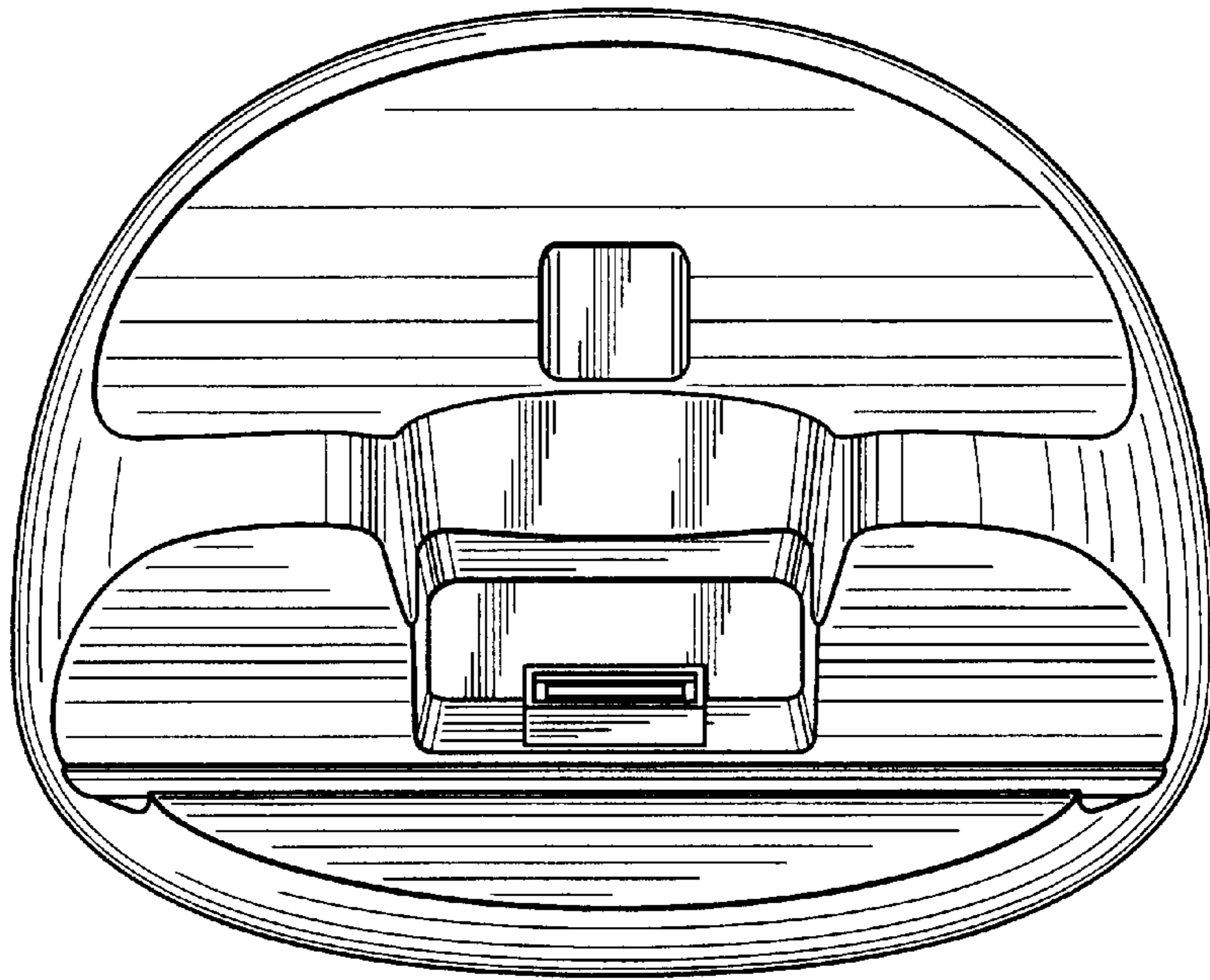


FIG. 4

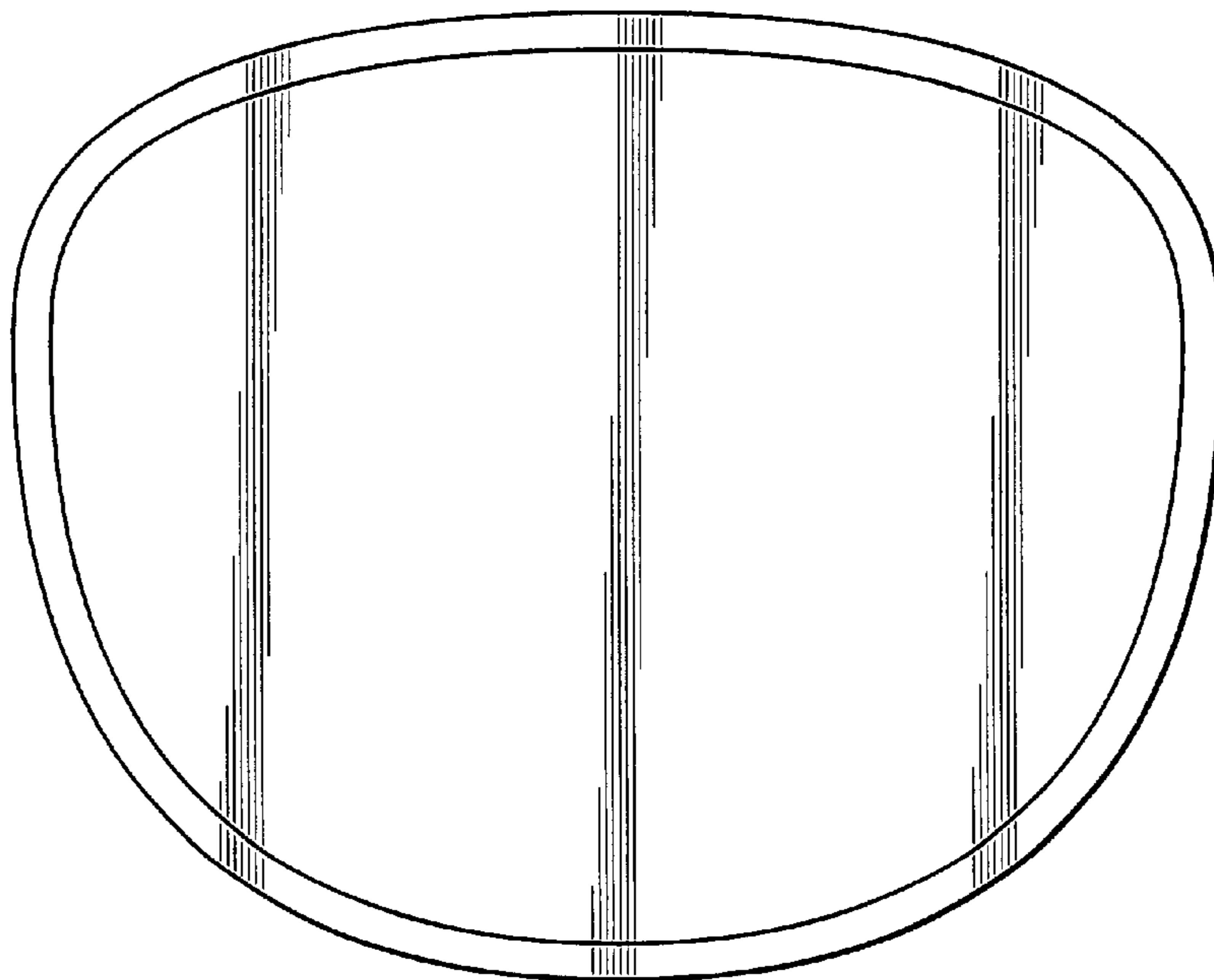


FIG. 5

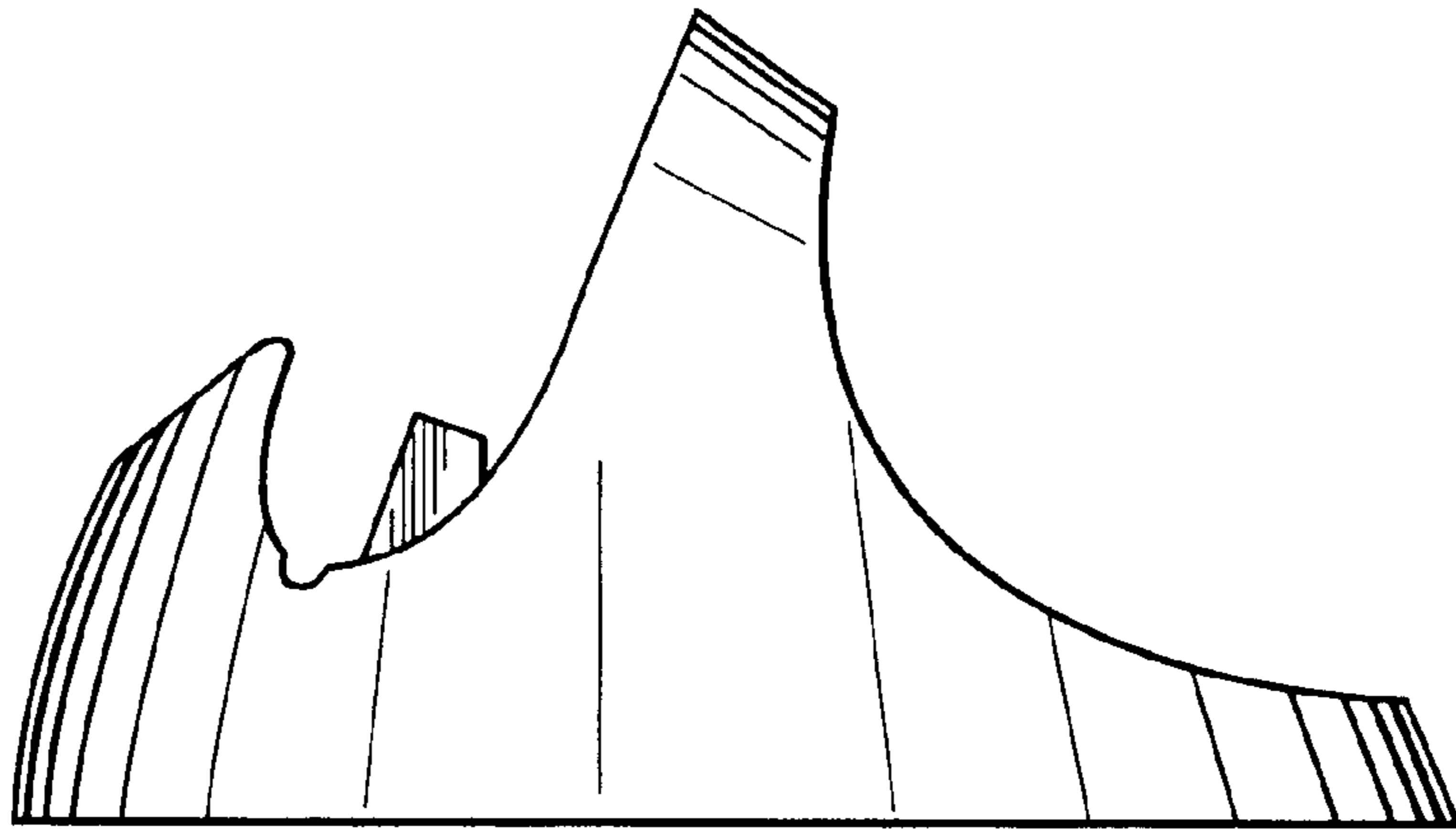


FIG. 6

