



US00D474735S

(12) **United States Design Patent**
Lee

(10) **Patent No.:** **US D474,735 S**

(45) **Date of Patent:** **** May 20, 2003**

(54) **BATTERY CHARGER FOR HANDHELD ELECTRONIC GAME**

(75) **Inventor:** **Man-Tat Lee, Kowloon (CN)**

(73) **Assignee:** **Storm Electronics Company Limited, Kowloon (CN)**

(**) **Term:** **14 Years**

(21) **Appl. No.:** **29/162,407**

(22) **Filed:** **Jun. 14, 2002**

(30) **Foreign Application Priority Data**

Jan. 28, 2002 (HK) 0210135

(51) **LOC (7) Cl.** **13-02**

(52) **U.S. Cl.** **D13/108**

(58) **Field of Search** D13/107, 108;
320/107-115

(56) **References Cited**

U.S. PATENT DOCUMENTS

D277,662 S * 2/1985 Huntington et al. D13/107

D310,272 S * 8/1990 Gallanis et al. D28/53

D363,917 S * 11/1995 Kanou et al. D13/108

D399,244 S * 10/1998 Coveley D13/107 X

6,265,845 B1 * 7/2001 Bo et al. 320/113

D455,397 S * 4/2002 Weiner et al. D13/108

* cited by examiner

Primary Examiner—Joel Sincavage

(74) *Attorney, Agent, or Firm*—Alix, Yale & Ristas, LLP

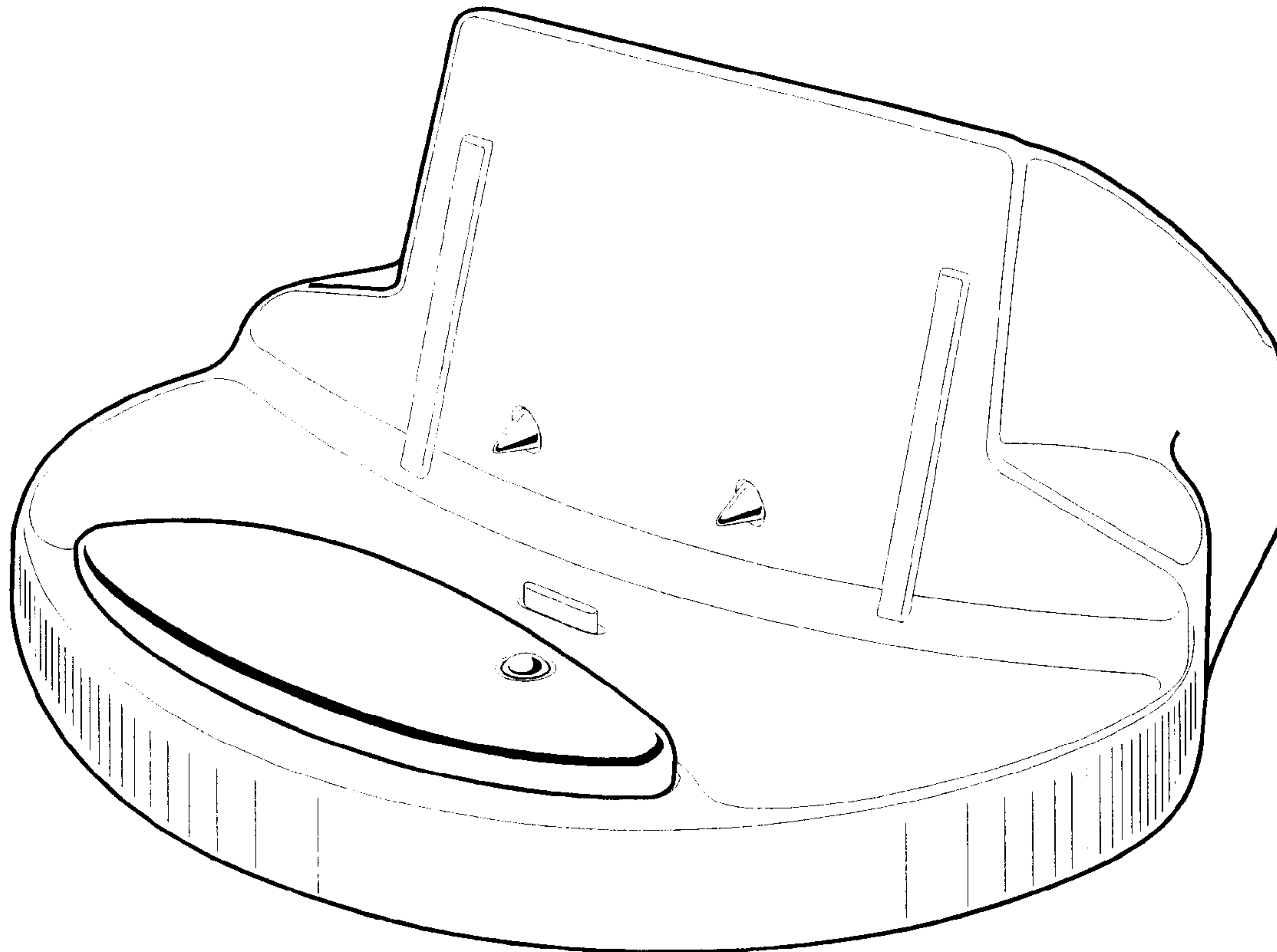
(57) **CLAIM**

The ornamental design for a battery charger for handheld electronic game, as shown and described.

DESCRIPTION

FIG. 1 is a front elevational view of a battery charger for handheld electronic game showing my new design; FIG. 2 is a rear elevational view thereof; FIG. 3 is a right side elevational view thereof; FIG. 4 is a left side elevational view thereof; FIG. 5 is a top plan view thereof; FIG. 6 is a bottom plan view thereof; and, FIG. 7 is a perspective view thereof.

1 Claim, 4 Drawing Sheets



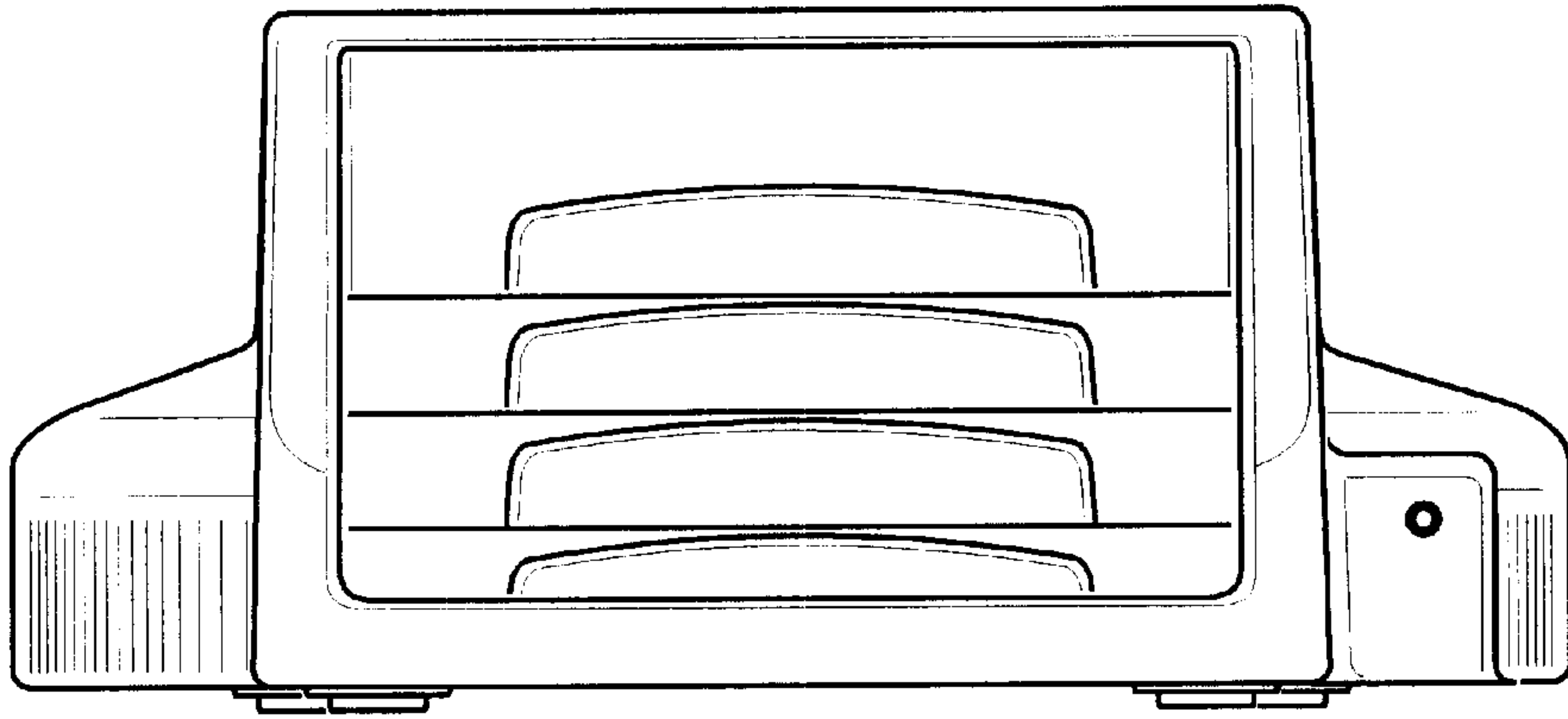


Fig. 1

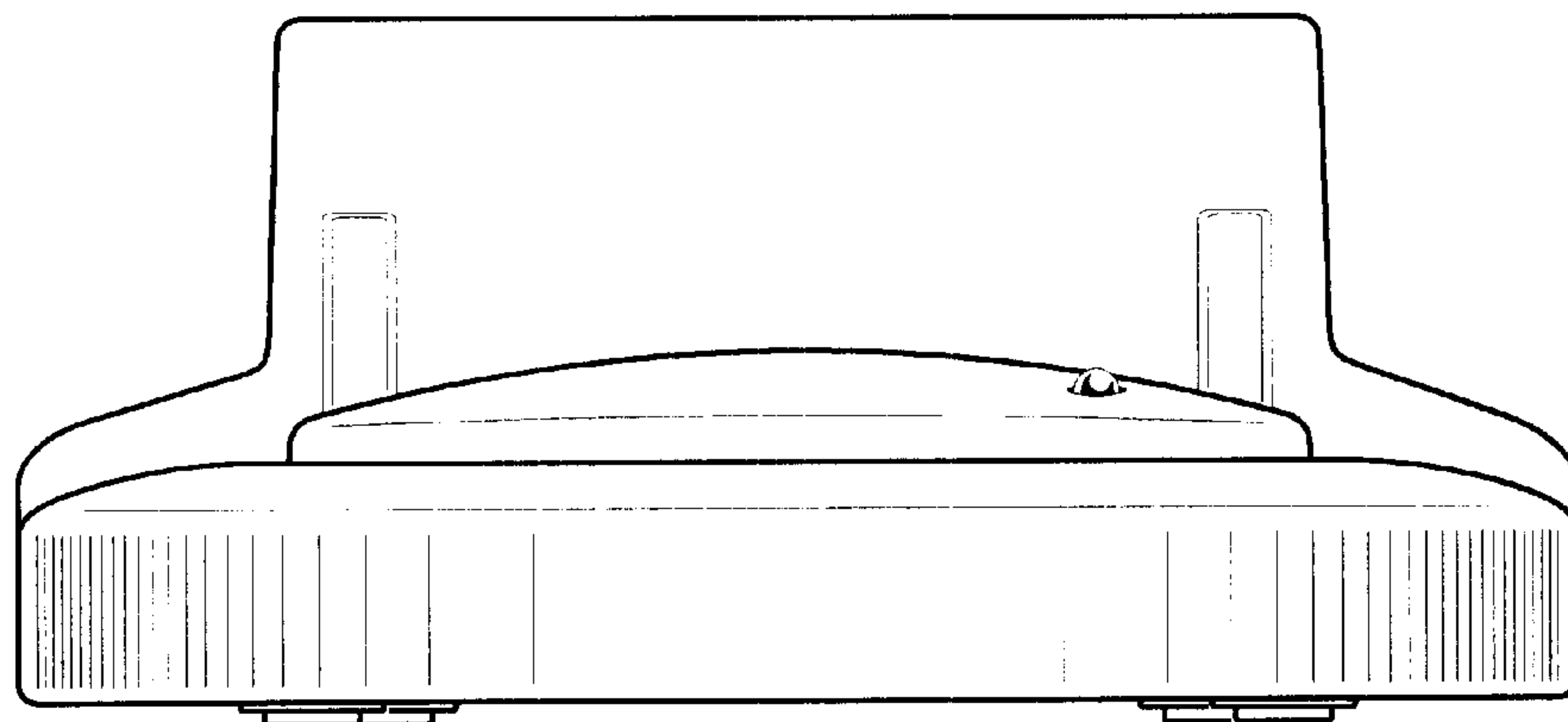


Fig. 2

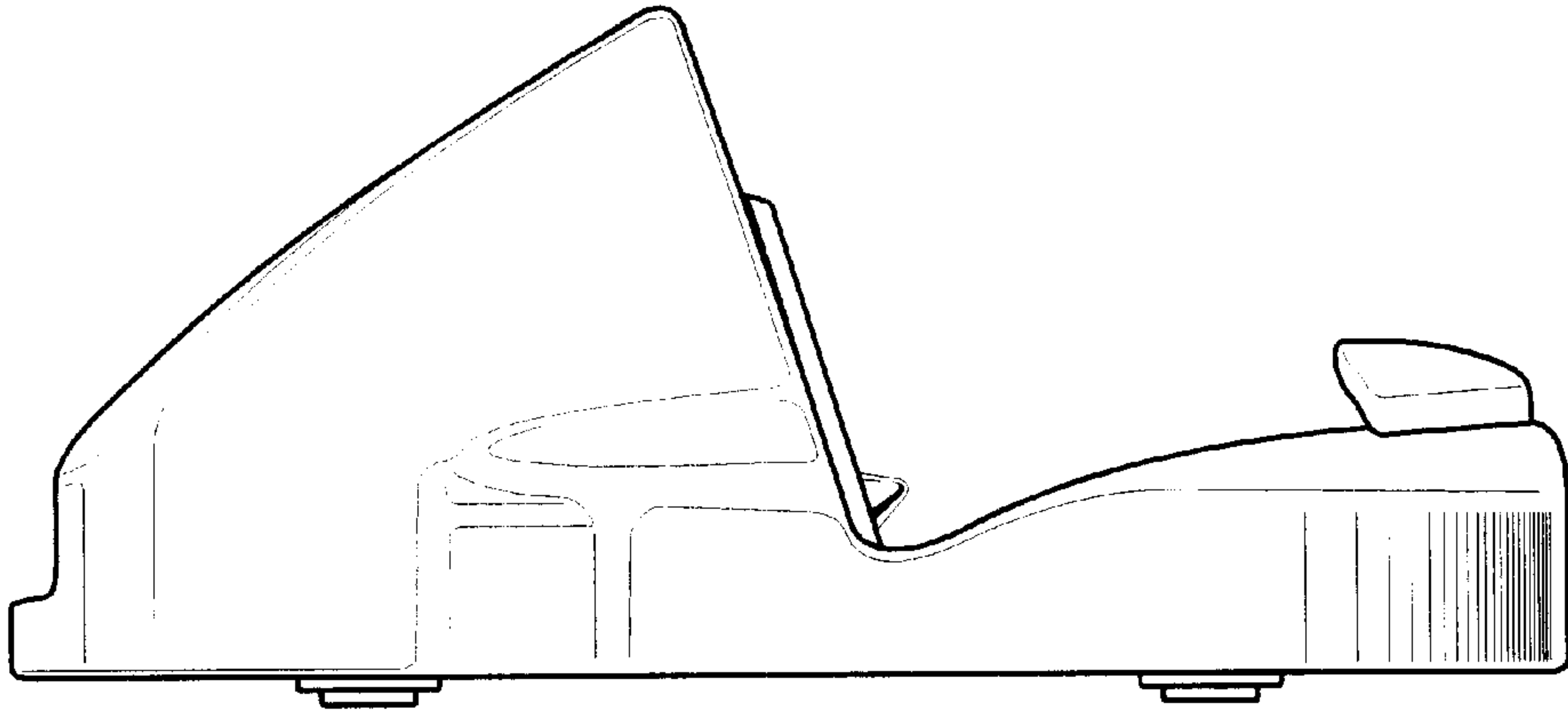


Fig. 3

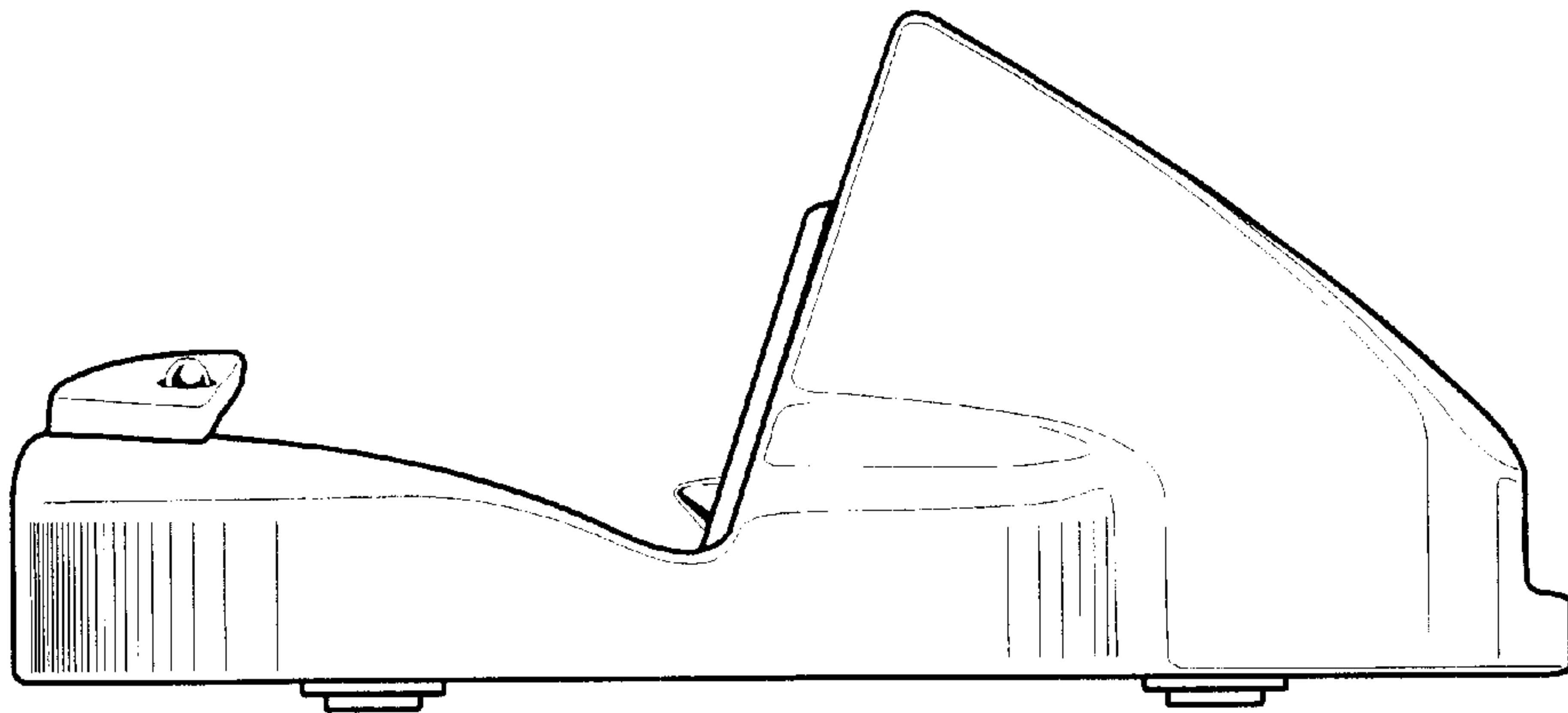


Fig. 4

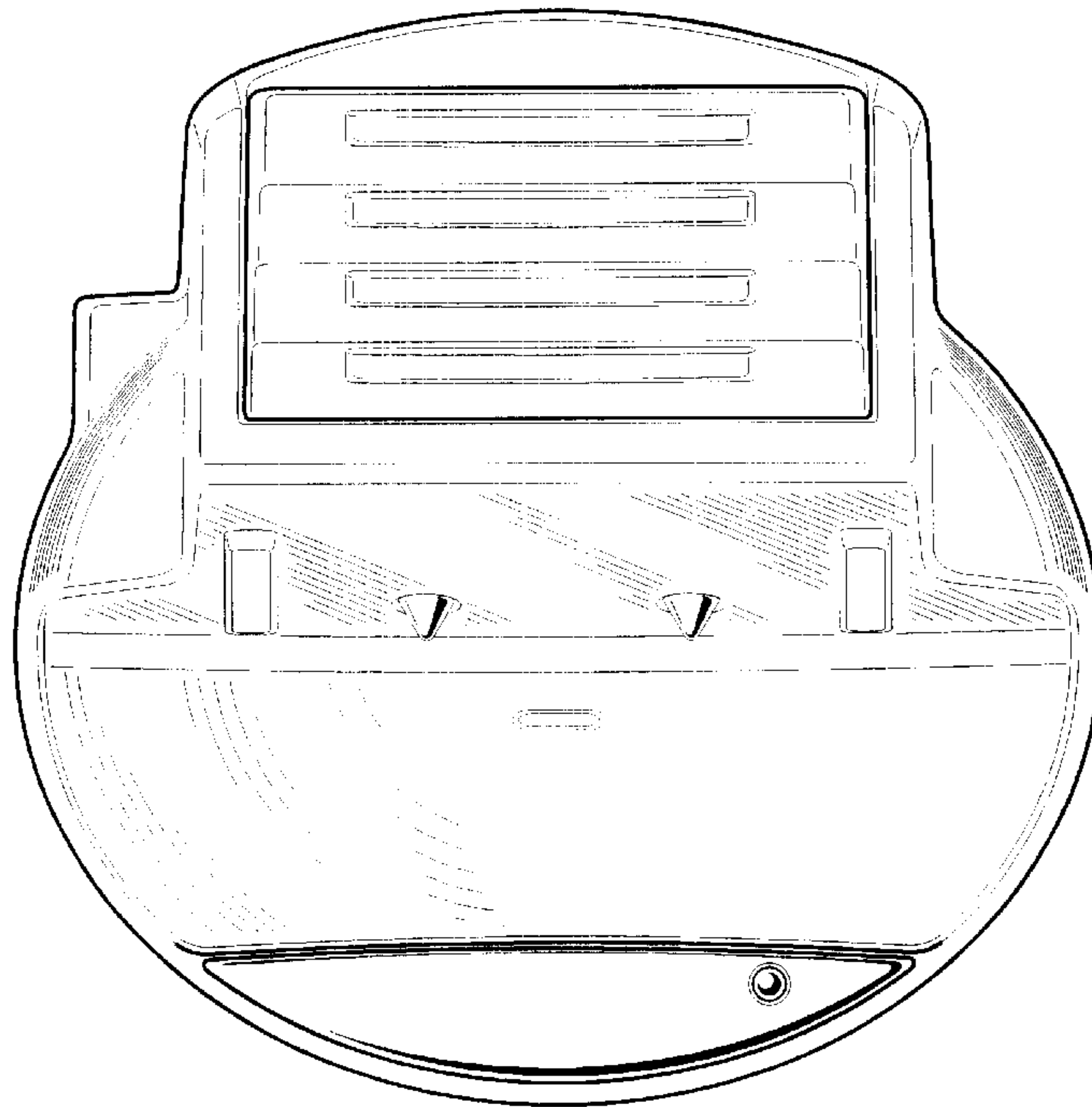


Fig. 5

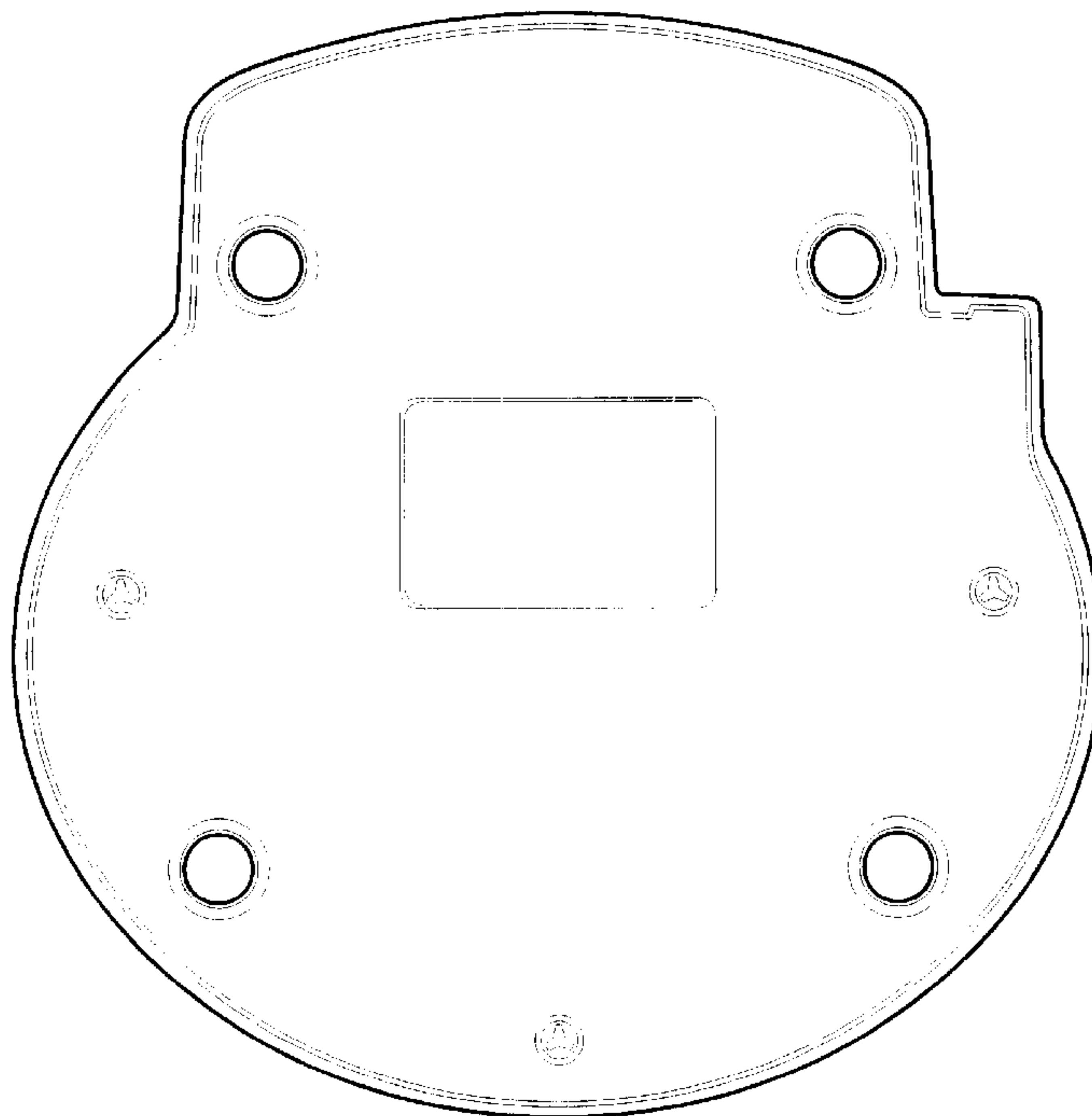


Fig. 6

Fig. 7

