



US00D474734S

(12) **United States Design Patent**
Terver et al.

(10) **Patent No.:** **US D474,734 S**

(45) **Date of Patent:** **** May 20, 2003**

(54) **TIRE TREAD**

(75) Inventors: **Roland Andre Terver**, Bissen (LU);
Percy Anthony LeMaire, Arlon (BE);
Andre Hardy, Arlon (BE); **Michel**
Marguerite Walther Ghislain
Constant, Bastogne (BE)

(73) Assignee: **The Goodyear Tire & Rubber**
Company, Akron, OH (US)

(**) Term: **14 Years**

(21) Appl. No.: **29/161,806**

(22) Filed: **Jun. 4, 2002**

(51) **LOC (7) Cl.** **12-15**

(52) **U.S. Cl.** **D12/590**

(58) **Field of Search** D12/551, 553,
D12/555, 556, 586, 588, 590, 591, 600;
152/209.1, 209.9, 209.13, 209.25, 209.28

(56) **References Cited**

U.S. PATENT DOCUMENTS

D383,423 S	*	9/1997	Galante et al.	D12/588
D421,582 S	*	3/2000	Dumigan et al.	D12/588
D445,529 S	*	4/2001	Lassan et al.	D12/586
D458,583 S	*	6/2002	Villamizar et al.	D12/590

OTHER PUBLICATIONS

Hankook Opti-Euro 884 Tire, 2001 Tread Design Guide,
Jan. 2001, p. 38. 3/1.*

* cited by examiner

Primary Examiner—Robert M. Spear

(74) *Attorney, Agent, or Firm*—David L. King

(57) **CLAIM**

The ornamental Design for a tire tread, as shown and
described.

DESCRIPTION

FIG. 1 is a perspective view of a tire tread showing our new
design, it being understood that the pattern repeats uni-
formly throughout the circumference of the tread;

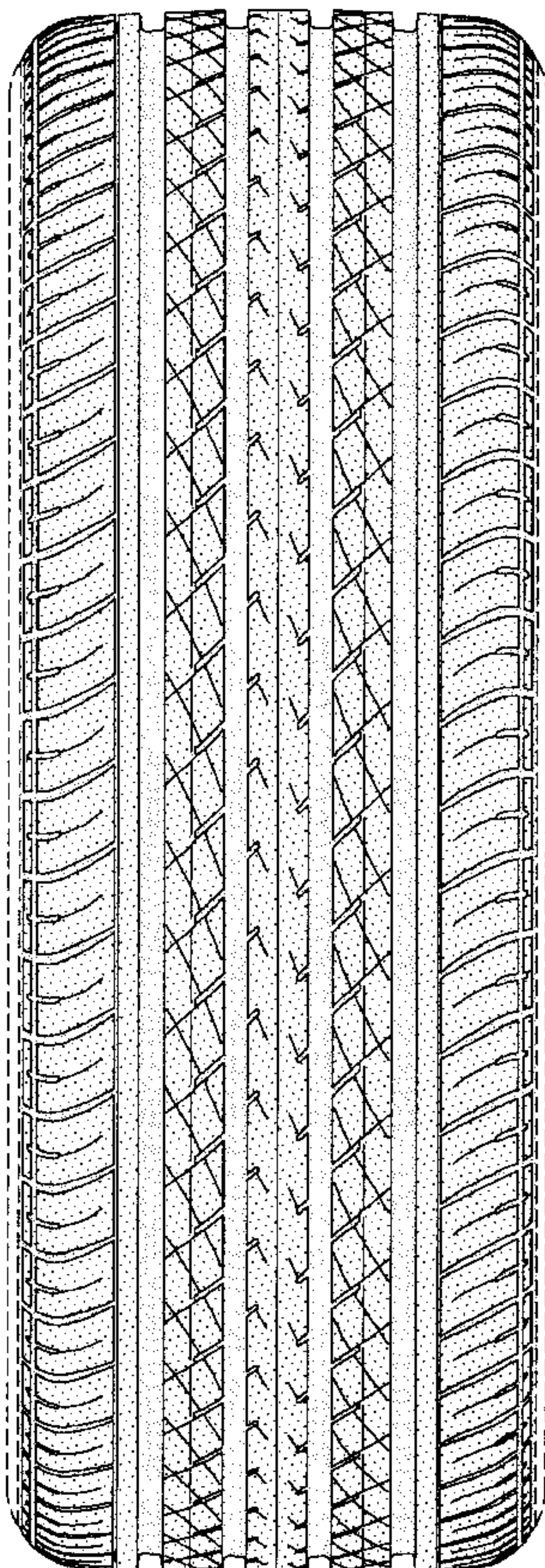
FIG. 2 is a front elevational view thereof;

FIG. 3 is a side elevational view thereof, the opposite side
elevational view being identical thereto; and,

FIG. 4 is an enlarged fragmentary perspective view.

In the drawings, the broken lines defining the sidewall and
inner bead and the peripheral boundary between the tire
tread and the sidewall are for illustrative purposes only and
form no part of the claimed design.

1 Claim, 4 Drawing Sheets



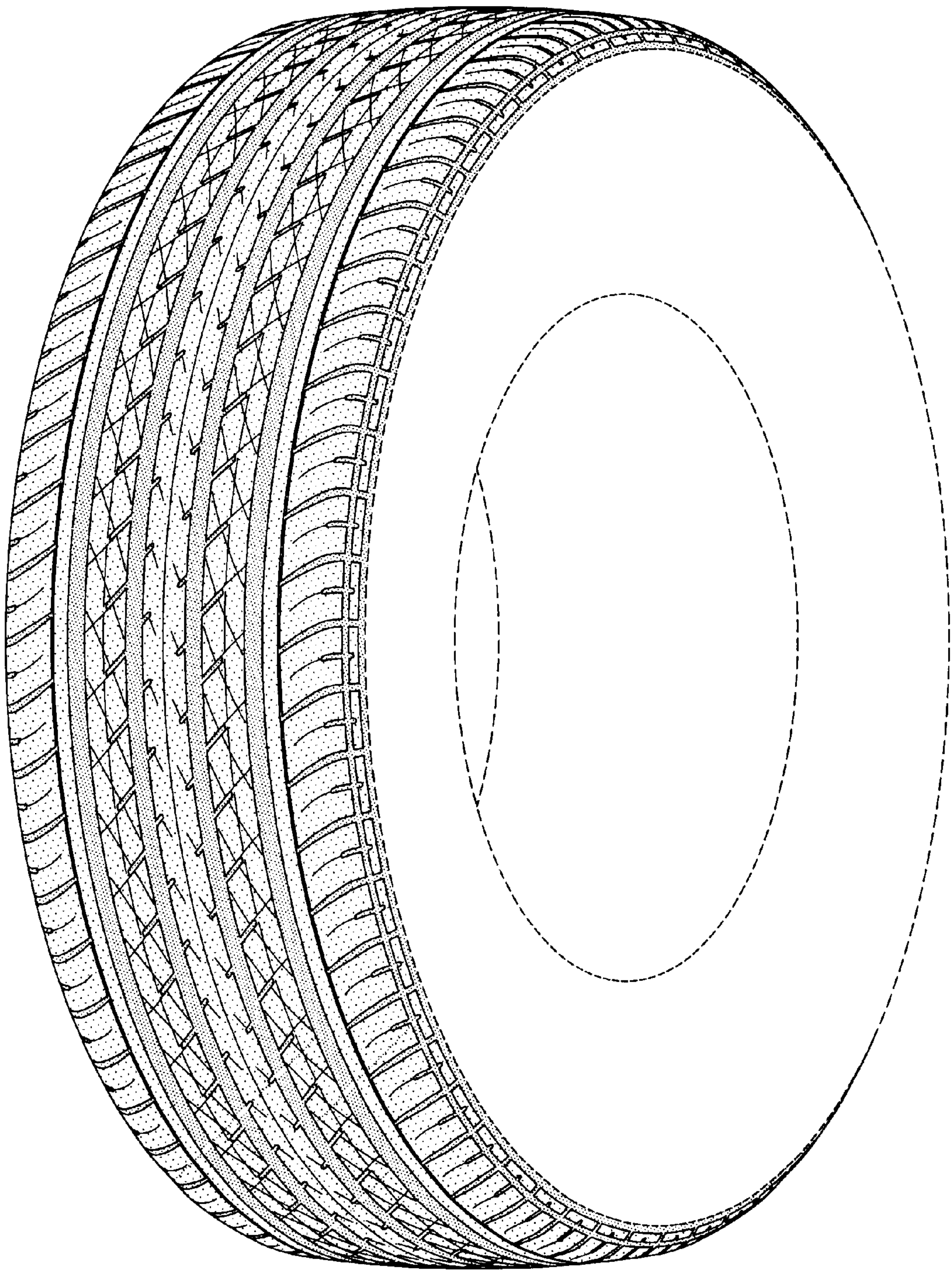


FIG-1

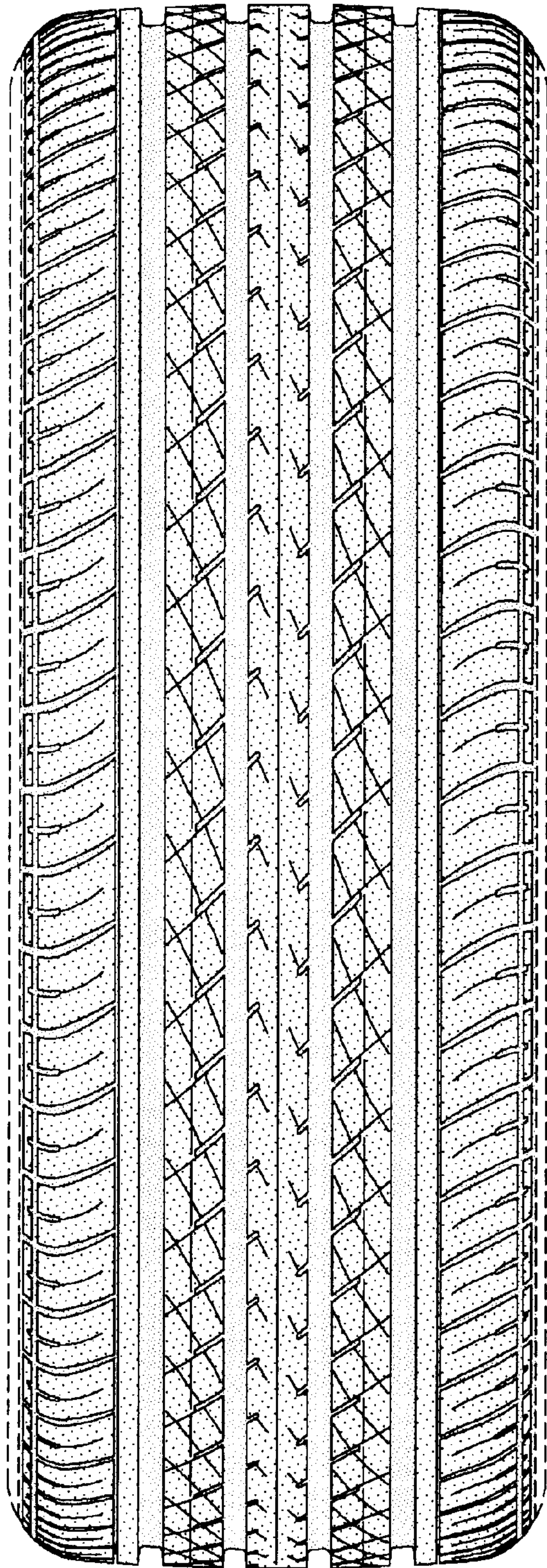


FIG-2

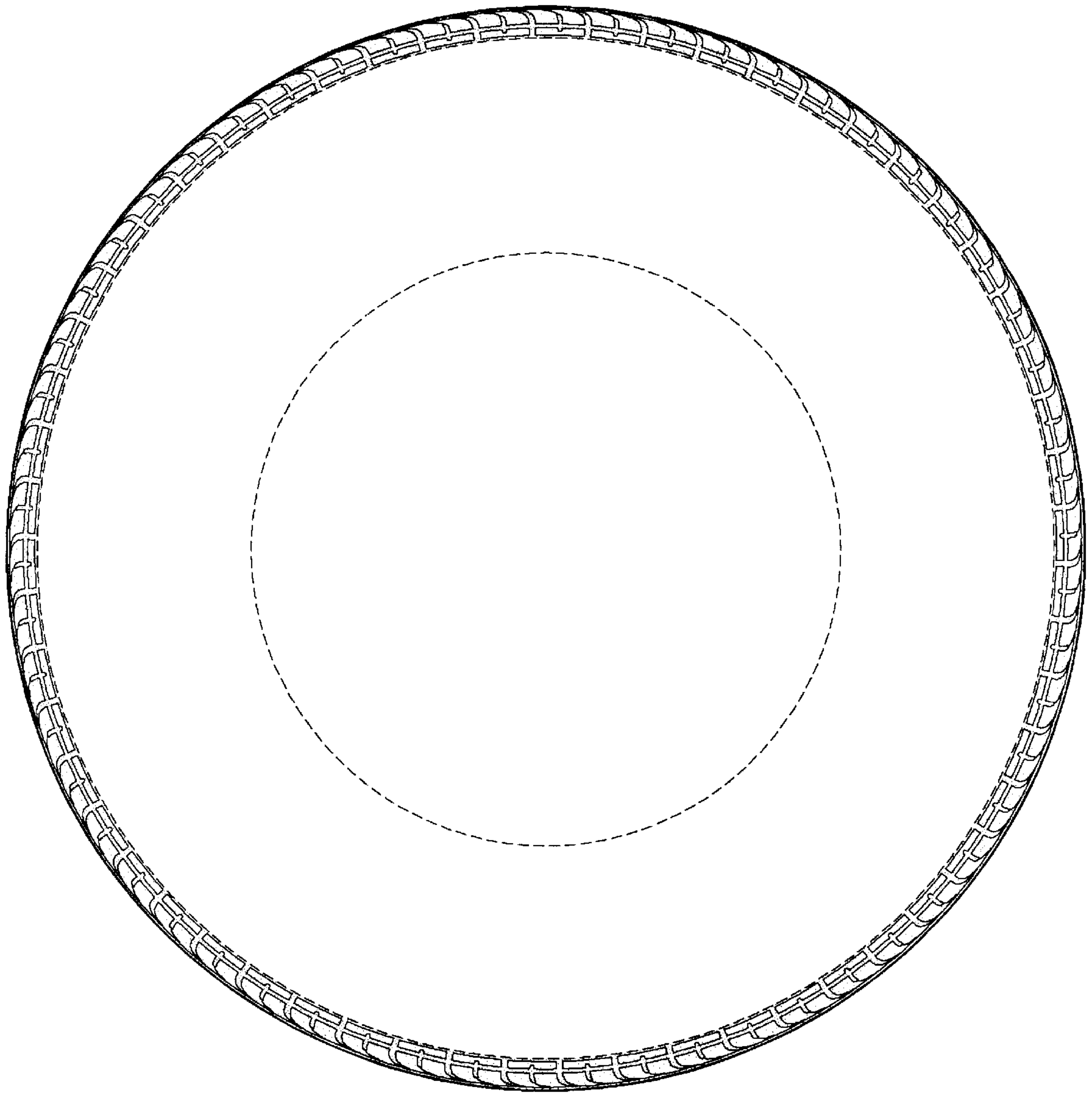


FIG-3

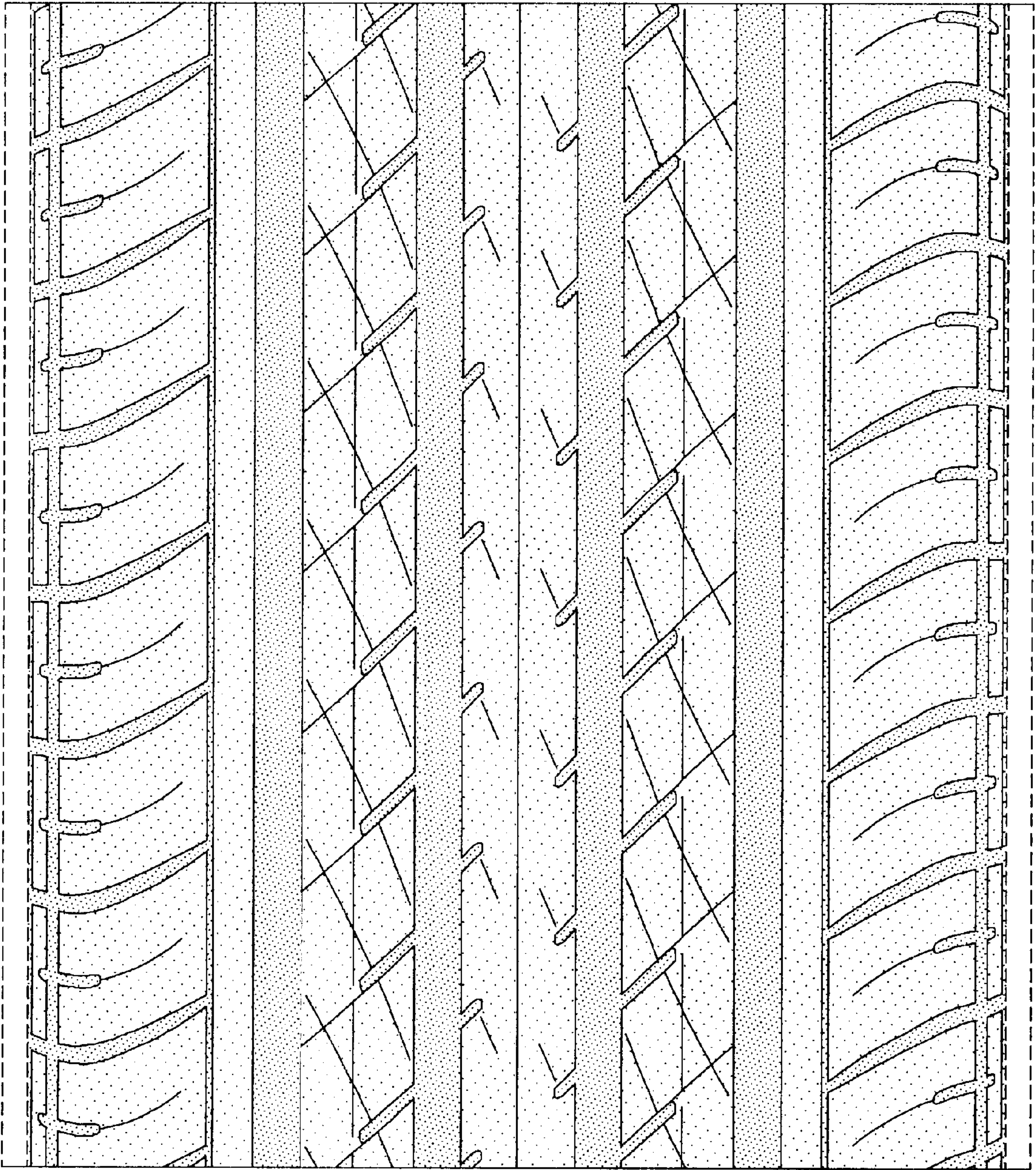


FIG-4