



US00D474733S

(12) **United States Design Patent**
Webb

(10) **Patent No.:** **US D474,733 S**

(45) **Date of Patent:** **** May 20, 2003**

(54) **AUTOMOBILE ORGANIZER**

(76) Inventor: **Kent H. Webb**, 4221 S. Western, Suite
5015, Oklahoma City, OK (US) 73109

(**) Term: **14 Years**

(21) Appl. No.: **29/172,193**

(22) Filed: **Dec. 9, 2002**

(51) **LOC (7) Cl.** **12-16**

(52) **U.S. Cl.** **D12/419; D12/425**

(58) **Field of Search** D12/415, 419,
D12/424-426.1; D7/505, 553.1-553.5,
601-602, 619, 701, 707-708; D28/73, 76-77,
83; D19/92; 297/135; 180/90; 108/25-26,
44-45; 296/37.13-37.16, 37.1, 37.8; 224/539,
542, 275, 277-278, 926

(56) **References Cited**

U.S. PATENT DOCUMENTS

- D250,065 S * 10/1978 Monopoli D12/419
- D264,525 S * 5/1982 Page, Jr. D12/419
- 4,832,241 A 5/1989 Radcliffe 224/275
- 5,282,556 A 2/1994 Bossert 224/42.42
- D362,837 S * 10/1995 Mankey et al. D12/419
- 5,460,102 A 10/1995 Pasmanick 108/43
- 5,469,999 A 11/1995 Phirippidis 224/542
- D368,889 S * 4/1996 Mankey et al. D12/419
- 5,505,139 A 4/1996 Storholm et al. 108/44
- 5,542,589 A 8/1996 McKee 224/275
- 5,551,616 A 9/1996 Stitt et al. 224/275

- 5,628,439 A 5/1997 O'Hara 224/275
- D396,844 S * 8/1998 Smith D12/419
- D415,732 S * 10/1999 Latham D12/419
- D419,521 S * 1/2000 Leschke et al. D12/425
- D427,139 S * 6/2000 Noval D12/419
- D434,721 S * 12/2000 Lieberman D12/419
- D456,760 S * 5/2002 Hoy D12/419
- 6,422,440 B1 * 7/2002 Stone 224/275
- D467,534 S * 12/2002 Tomlinson et al. D12/419

* cited by examiner

Primary Examiner—Stacia Cadmus

(74) *Attorney, Agent, or Firm*—McAfee & Taft

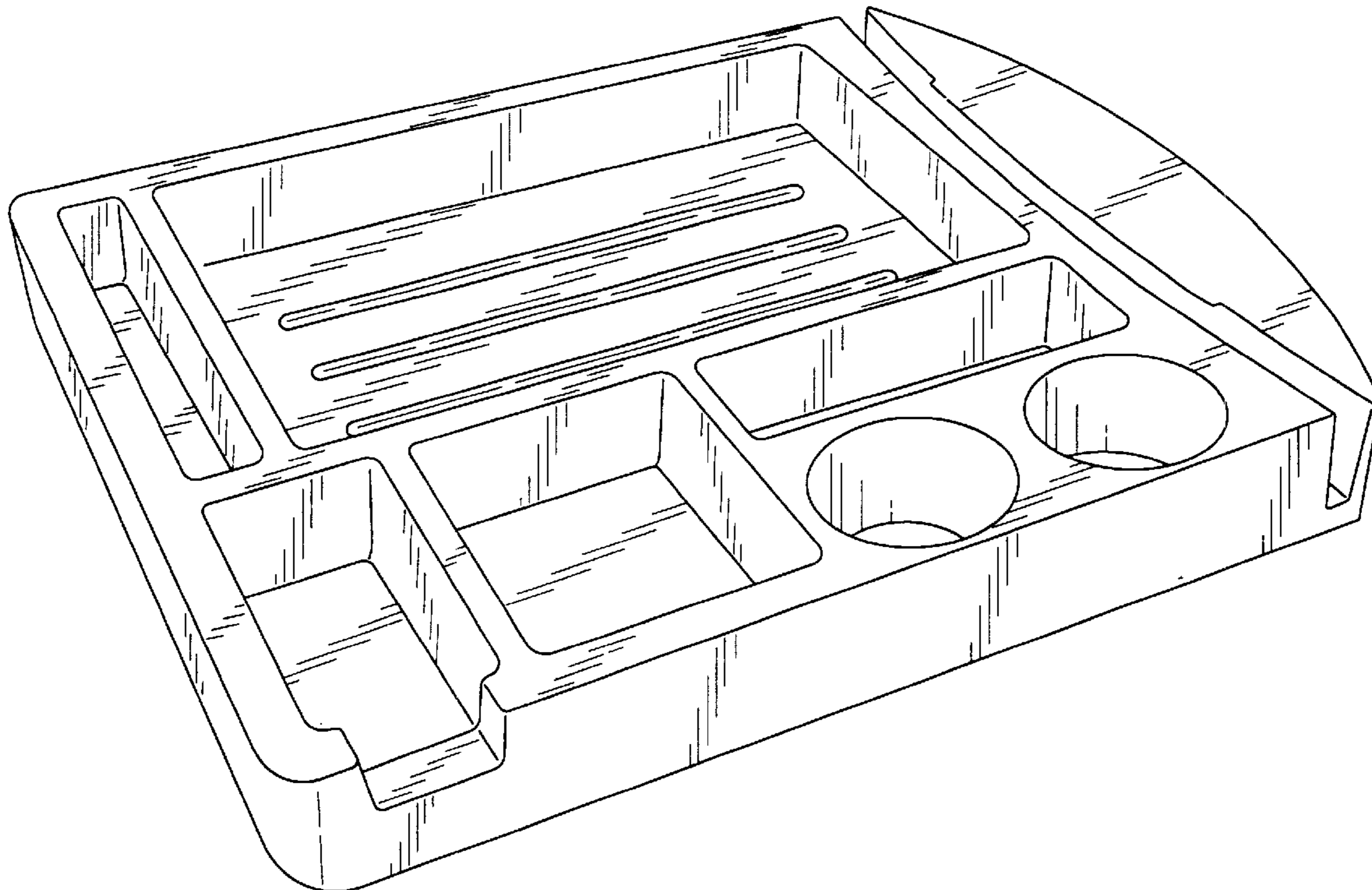
(57) **CLAIM**

The ornamental design for an automobile organizer, as shown and described.

DESCRIPTION

FIG. 1 is a perspective view of the automobile organizer of the present invention;
 FIG. 2 is a top plan view of the automobile organizer of the present invention;
 FIG. 3 is a bottom plan view of the automobile organizer of the present invention. The phantom lines indicate the shape of the bottom but are not intended to be a part of the claim;
 FIG. 4 is a right side elevation view thereof;
 FIG. 5 is a left side elevation view thereof;
 FIG. 6 is a front elevation view thereof; and,
 FIG. 7 is a rear elevation view thereof.

1 Claim, 4 Drawing Sheets



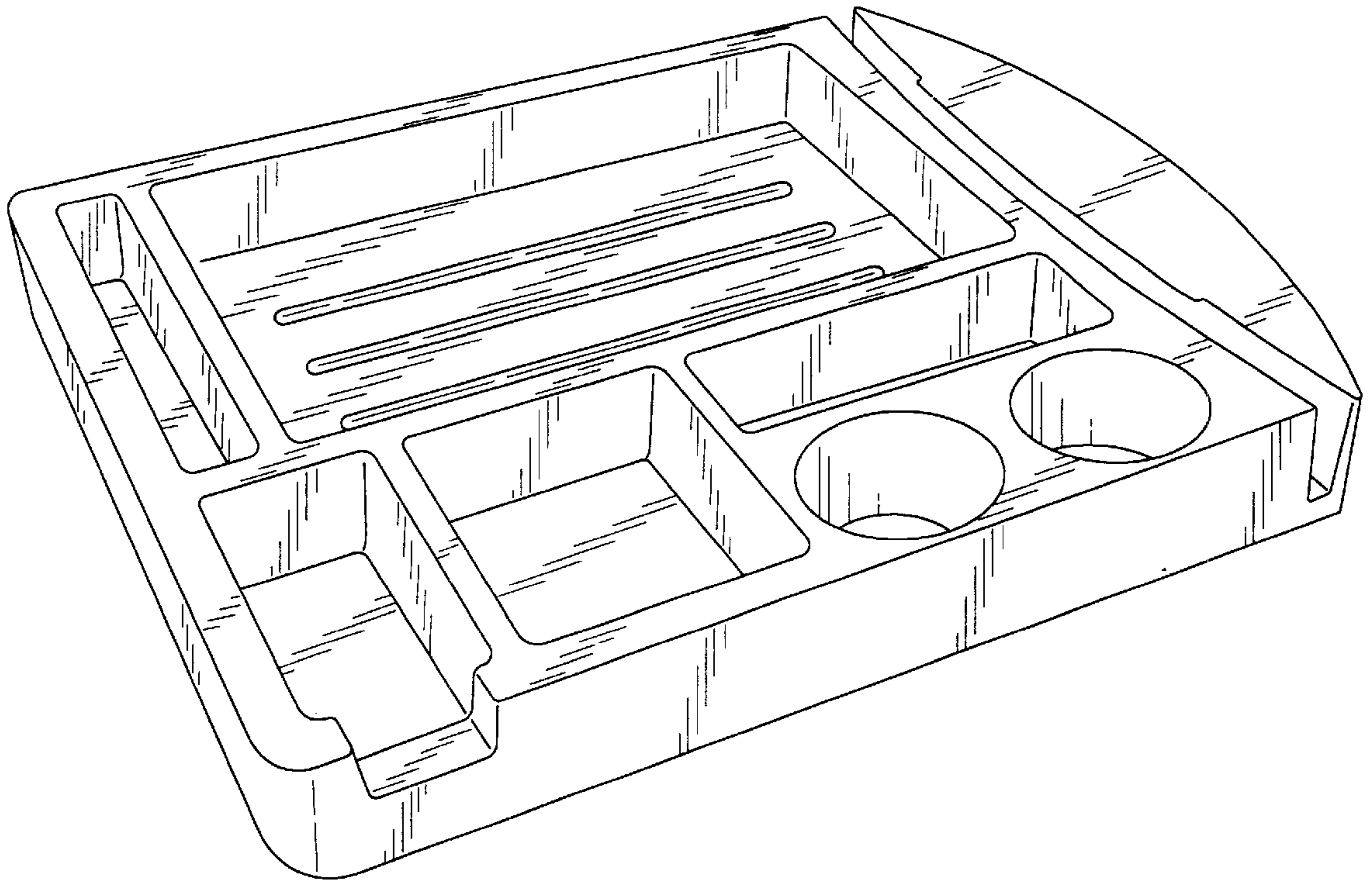


FIG. 1

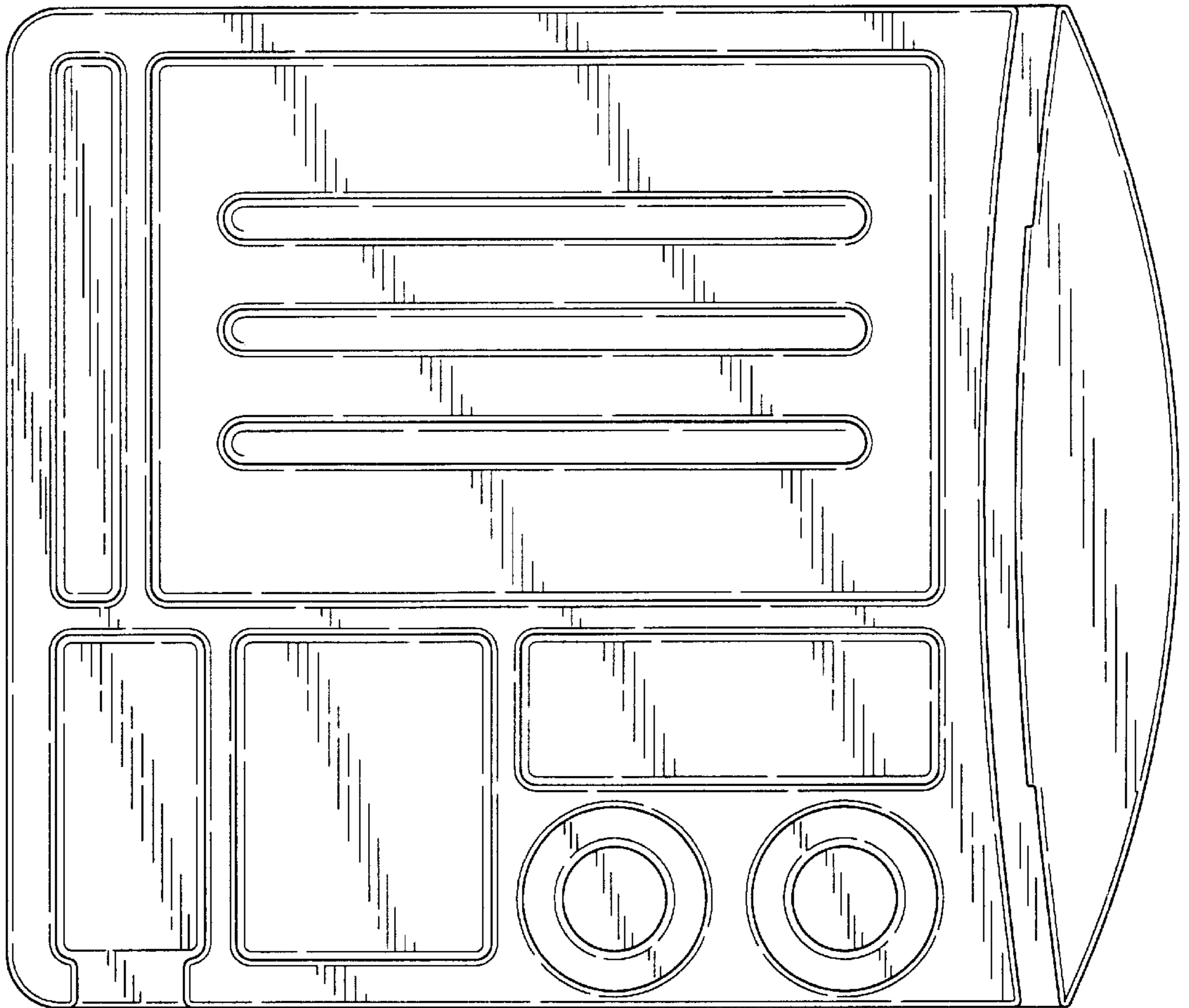


FIG. 2

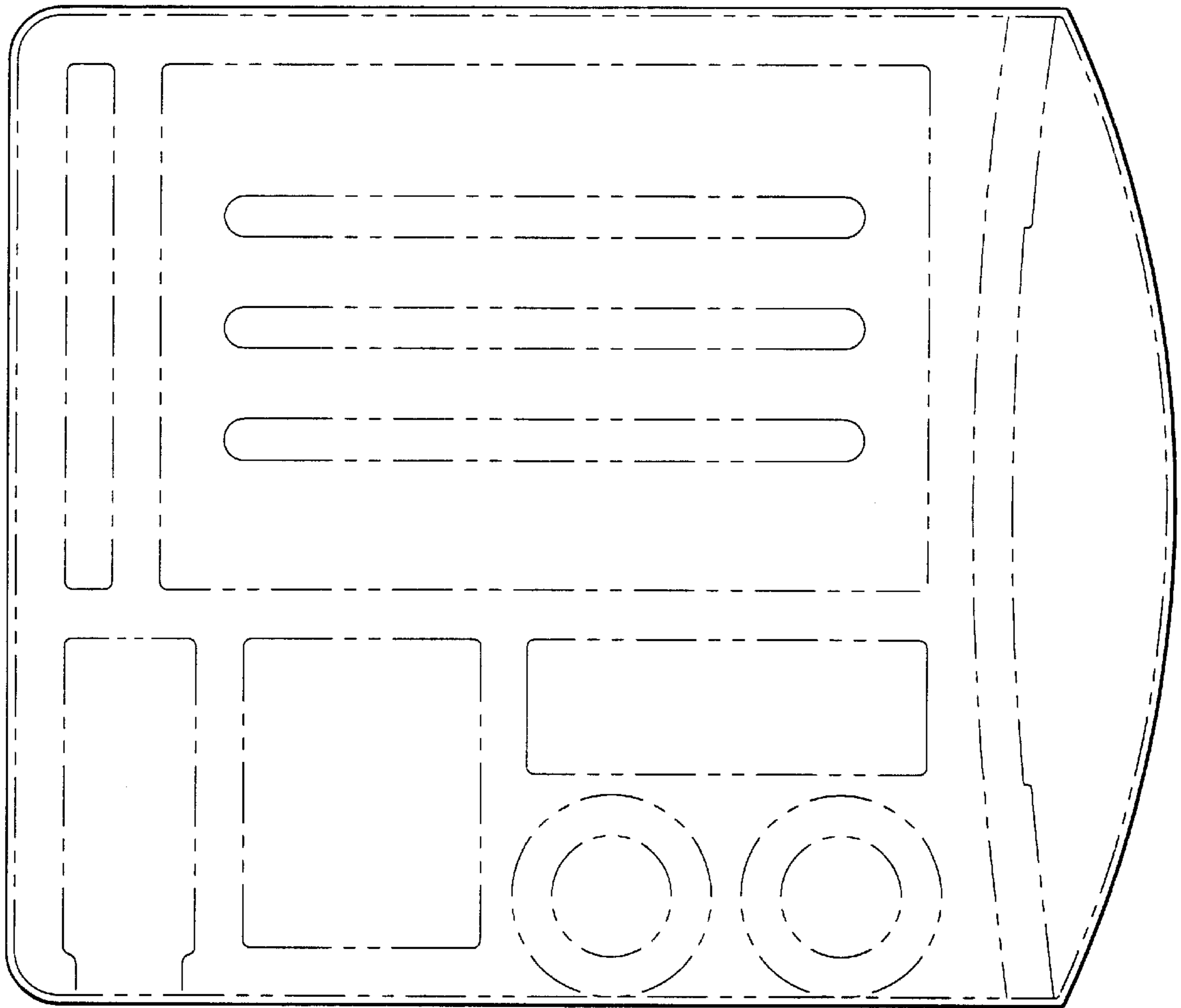


FIG. 3

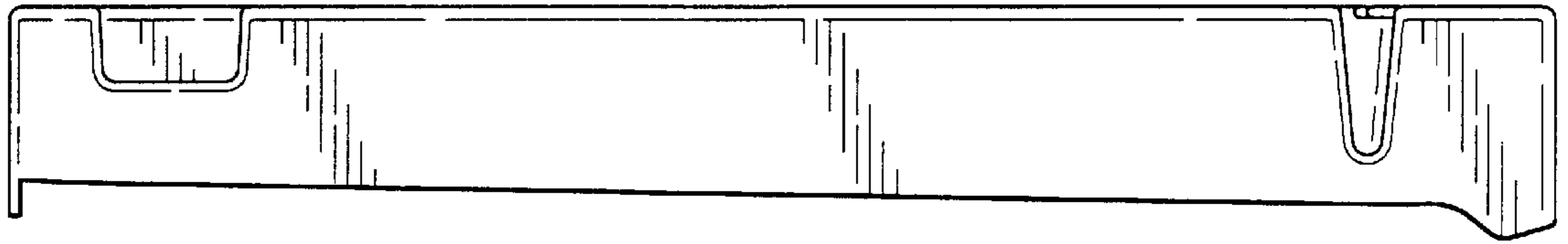


FIG. 4

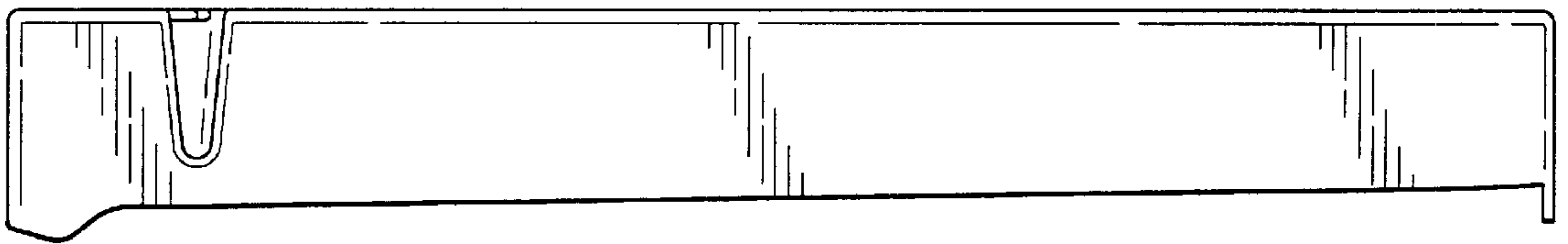


FIG. 5

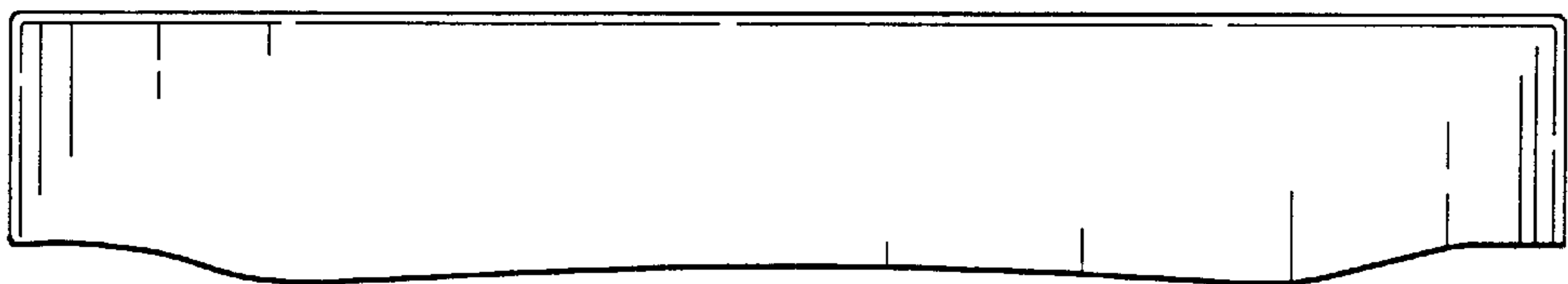


FIG. 6

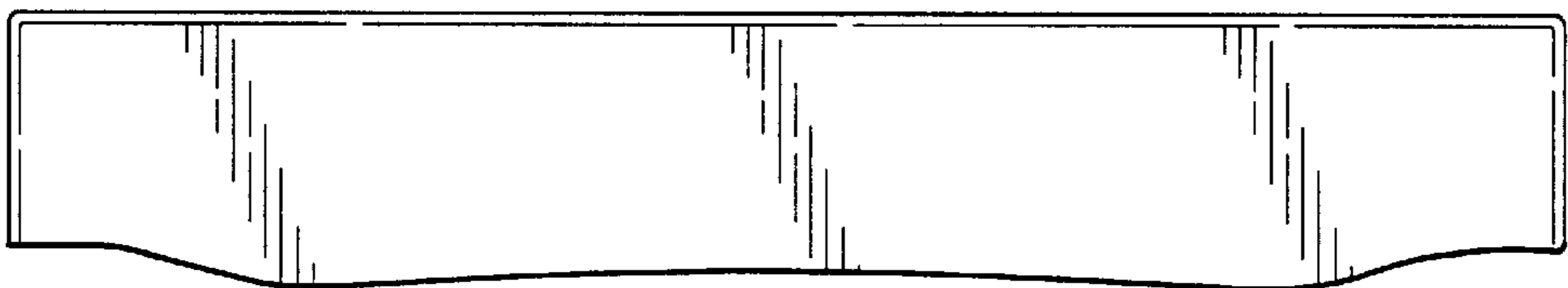


FIG. 7