



US00D474732S

(12) **United States Design Patent**  
**Hillman**

(10) **Patent No.:** **US D474,732 S**

(45) **Date of Patent:** **\*\* May 20, 2003**

(54) **COMPACT DISC VISOR WITH ACCESSORY POCKET**

(75) Inventor: **Jack L. Hillman**, Colorado Springs, CO (US)

(73) Assignee: **Case Logic, Inc.**, Longmont, CO (US)

(\*\*) Term: **14 Years**

(21) Appl. No.: **29/168,449**

(22) Filed: **Oct. 1, 2002**

(51) **LOC (7) Cl.** ..... **12-16**

(52) **U.S. Cl.** ..... **D12/417**

(58) **Field of Search** ..... D12/417, 191, D12/415, 4; D3/215, 226, 247-249, 252-253; 224/311, 312, 275; 296/97.1-97.9, 97.11; D6/620-635; D14/251-253; 379/454, 455

(56) **References Cited**

**U.S. PATENT DOCUMENTS**

D292,595 S	*	11/1987	Tanaka	.....	D12/417 X
D369,777 S	*	5/1996	Singh et al.	.....	D12/417
D381,947 S	*	8/1997	Bergh et al.	.....	D12/191
D391,919 S	*	3/1998	Brassard	.....	D12/417
5,762,246 A		6/1998	Drew	.....	224/312
D402,624 S	*	12/1998	Patterson	.....	D12/417
D413,299 S	*	8/1999	Hartmann et al.	.....	D12/417
D415,731 S		10/1999	Bergh	.....	D12/417
D432,490 S		10/2000	Golenz	.....	D12/417
D432,981 S	*	10/2000	Eskandry	.....	D12/417
D434,368 S	*	11/2000	Eskandry	.....	D12/417
D435,511 S	*	12/2000	Eskandry	.....	D12/417
D436,916 S	*	1/2001	Eskandry	.....	D12/417
D446,765 S	*	8/2001	Bergh et al.	.....	D12/417

**OTHER PUBLICATIONS**

U.S. patent application Ser. No. 29/161,039, Hasset, filed Aug. 2001.

Case Logic 2002 Product Catalog, "What's Inside Survives" pp. 8 and 36.

Case Logic Spring 2000 Product Catalog, pp. 18 and 19.

Case Logic 2001 Essential Equipment Product Catalog, p. 20.

Case Logic 2000 Essential Equipment Product Catalog, p. 17.

Case Logic 1999 Product Catalog p. 35.

1999 CdProjects Catalog p. 12.

1998 BMI Case It Catalog, page entitled "Nylon Cassette Cases".

1997 Case Logic Audio Catalog, p. 4.

2001 Case It Catalog, front cover and p. 9.

Fellowes Home & Office Solutions, p. 116. (no date).

(List continued on next page.)

*Primary Examiner*—Stacia Cadmus

(74) *Attorney, Agent, or Firm*—Sheridan Ross P.C.

(57) **CLAIM**

The ornamental design for a compact disc visor with accessory pocket, as shown and described.

**DESCRIPTION**

FIG. 1 is a front perspective view of a compact disc visor with accessory pocket showing my new design;

FIG. 2 is a top plan view of the invention illustrated in FIG. 1;

FIG. 3 is a front elevation view of the invention illustrated in FIG. 1;

FIG. 4 is a left elevation view of the invention illustrated in FIG. 1;

FIG. 5 is right elevation view of the invention illustrated in FIG. 1;

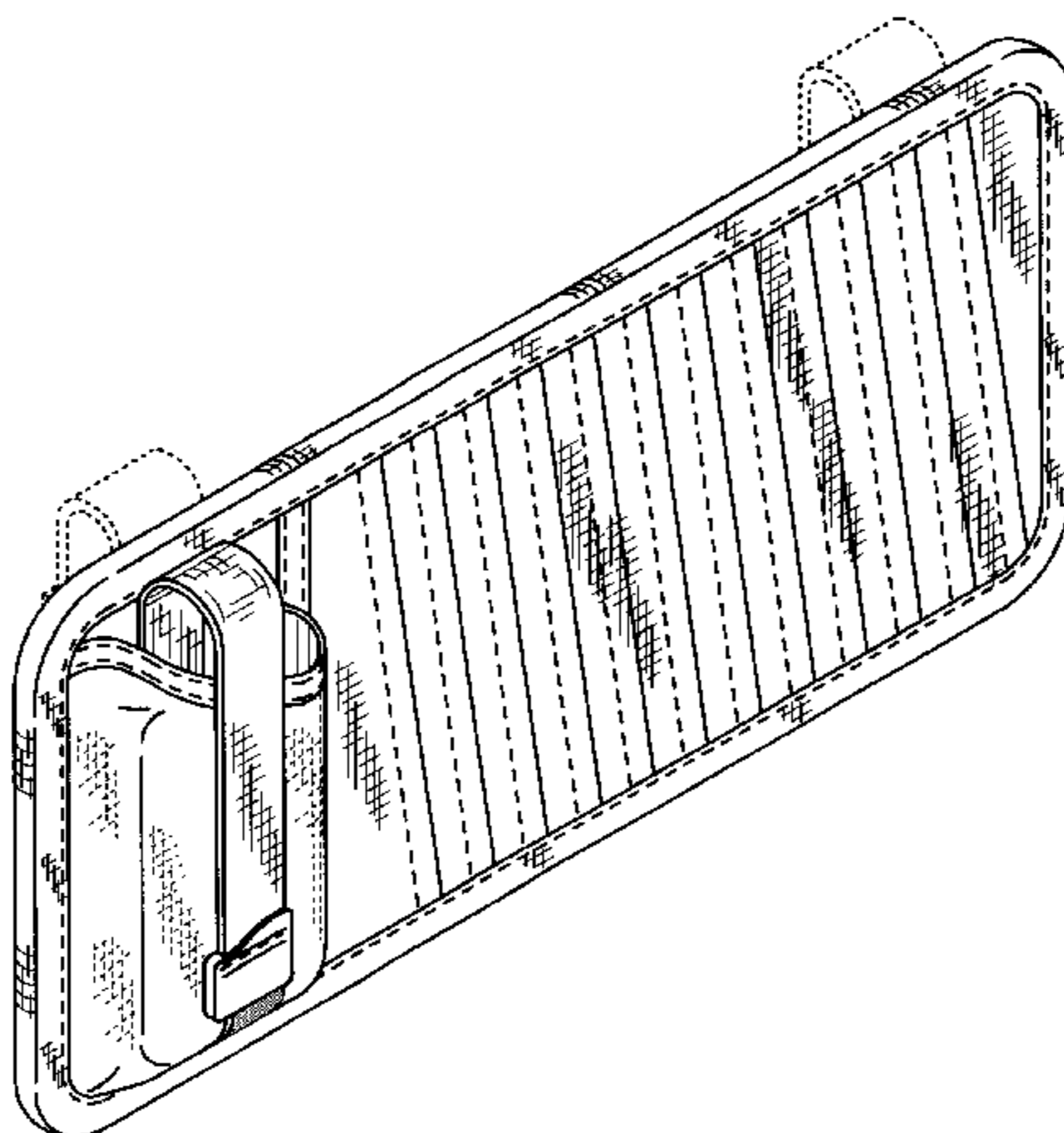
FIG. 6 is a bottom plan view of the invention illustrated in FIG. 1;

FIG. 7 is a rear elevation view of the invention illustrated in FIG. 1; and,

FIG. 8 is a front perspective view of the invention illustrated in FIG. 1.

The broken line showing of environment is for illustrative purposes only and forms no part of the claimed design. The dashed lines on the visor are understood to represent stitching.

**1 Claim, 3 Drawing Sheets**



**OTHER PUBLICATIONS**

CdProjects Milleninum<sup>2</sup> Catalog, p. 19. (no date).

Ember Auto Interior Accessories, EM-660, Visor CD Organizer (no date).

Scosche Car Stereo Accessory Retail Merchandise Program, V12-SK. (no date).

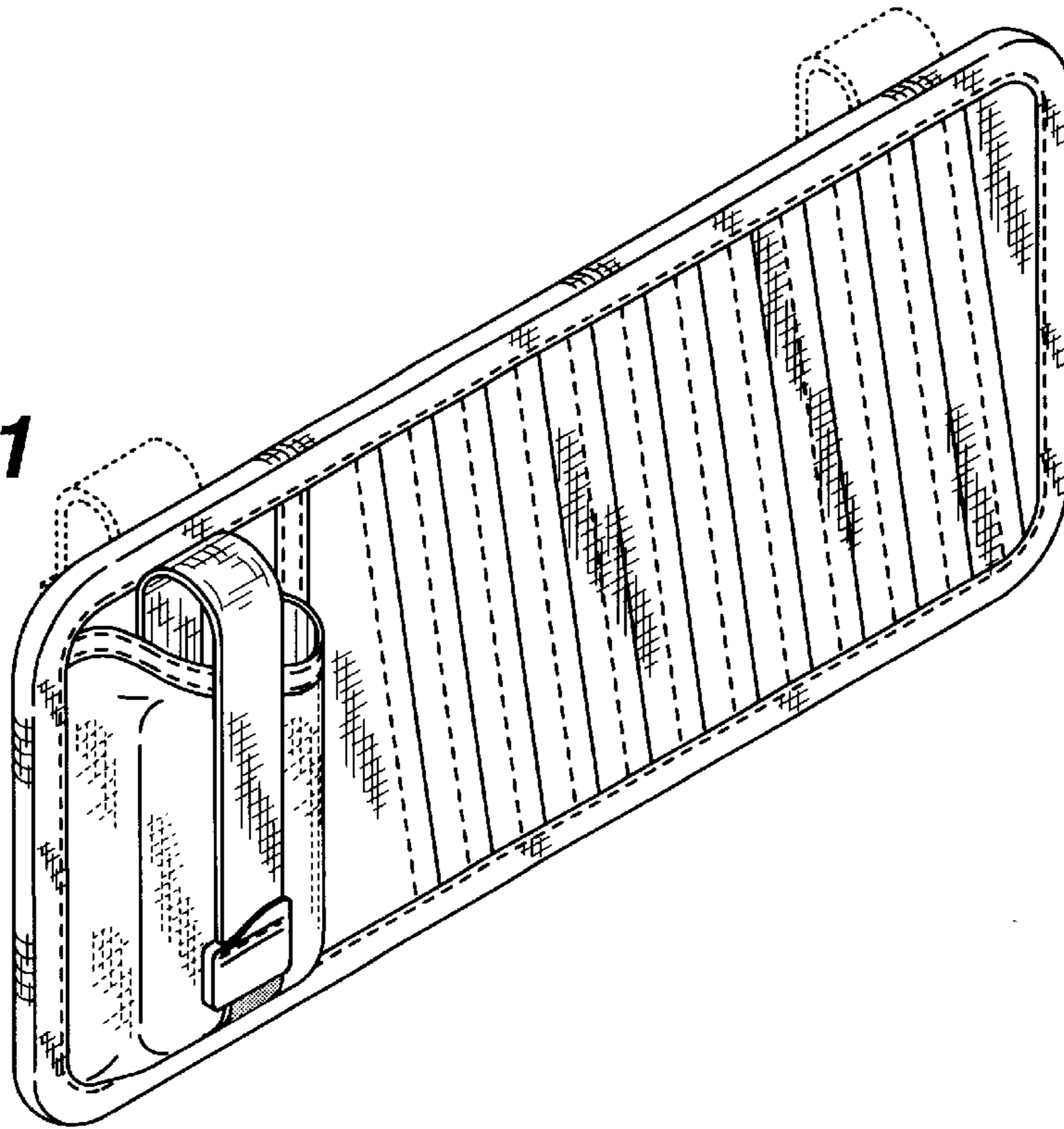
CarGear Catalog, Fleece CD Visor Wallet, CD Visor Wallet (no date).

Axius Organizers, CD Visor Organizer (no date).

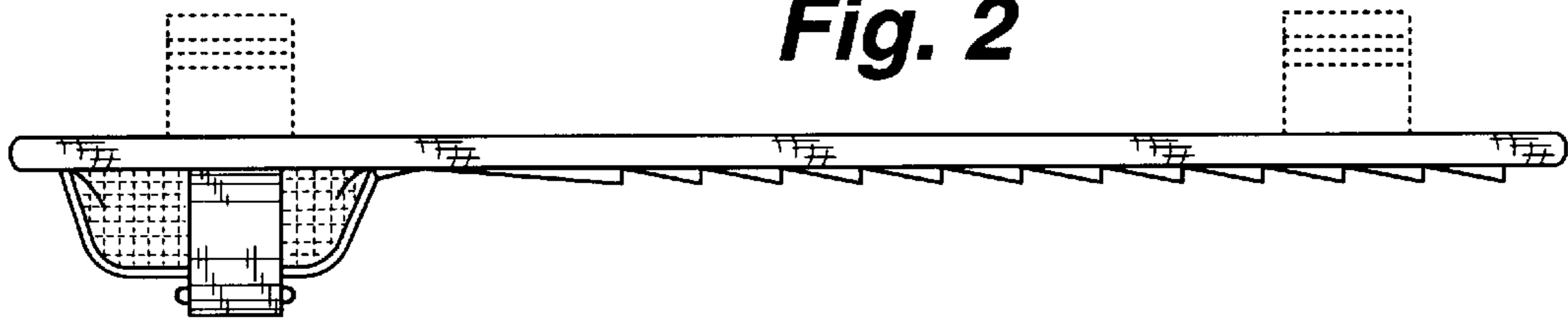
Axius Looney Tunes CD Visor Organizer, No. 50899 (no date).

\* cited by examiner

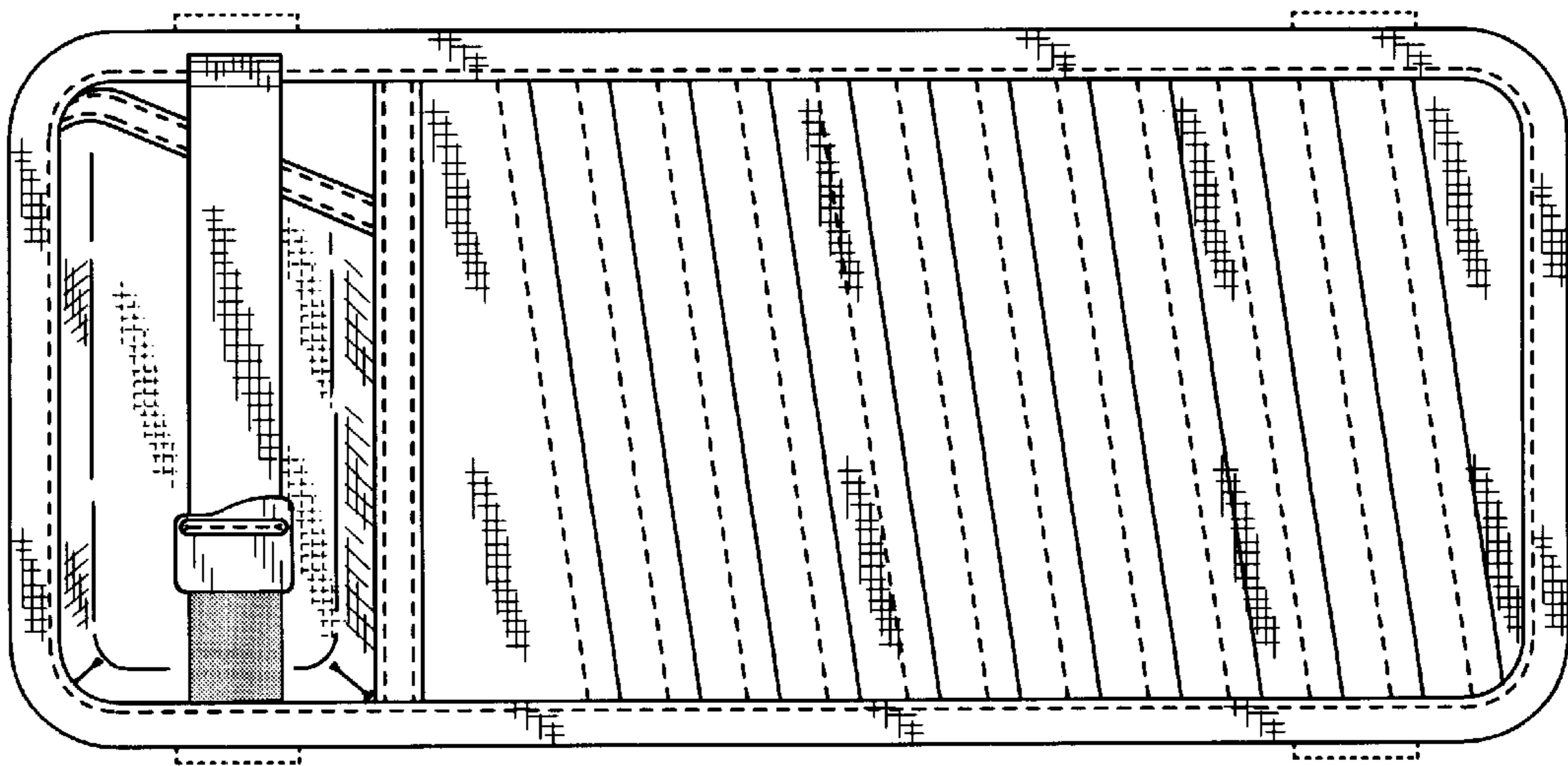
**Fig. 1**



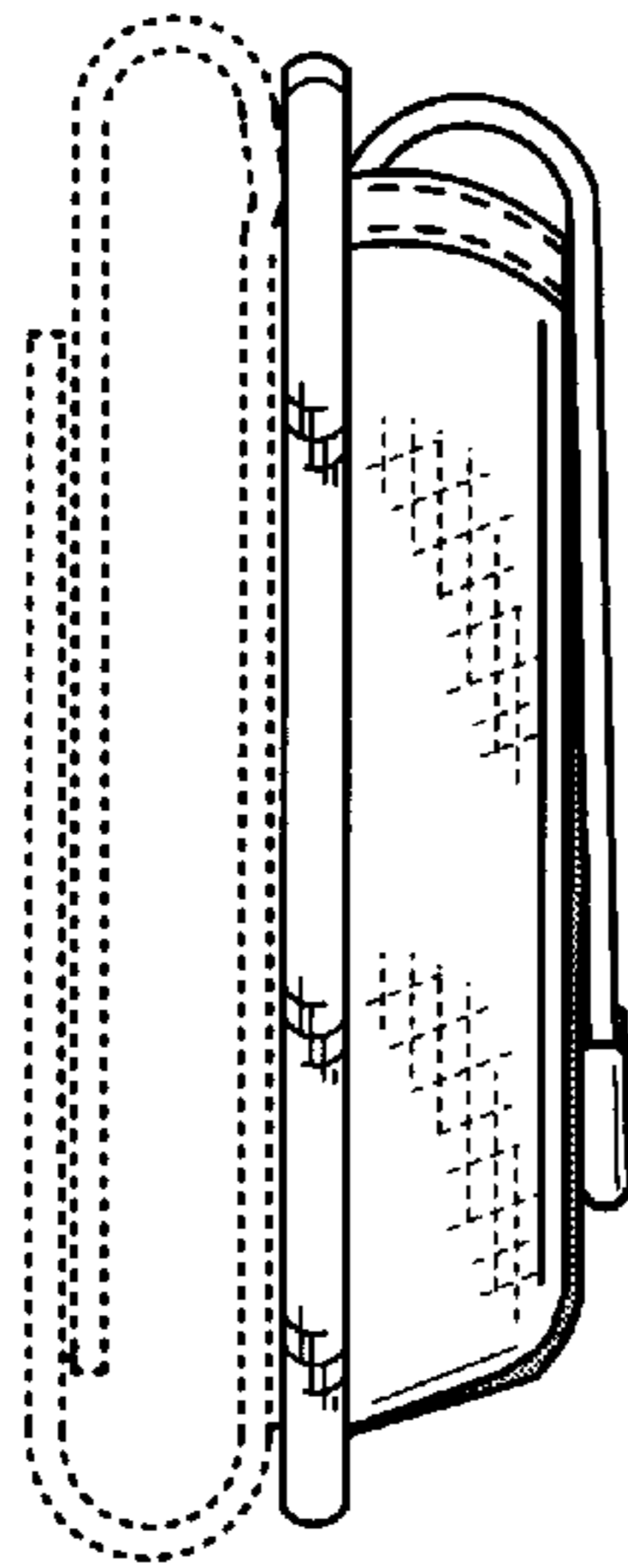
**Fig. 2**



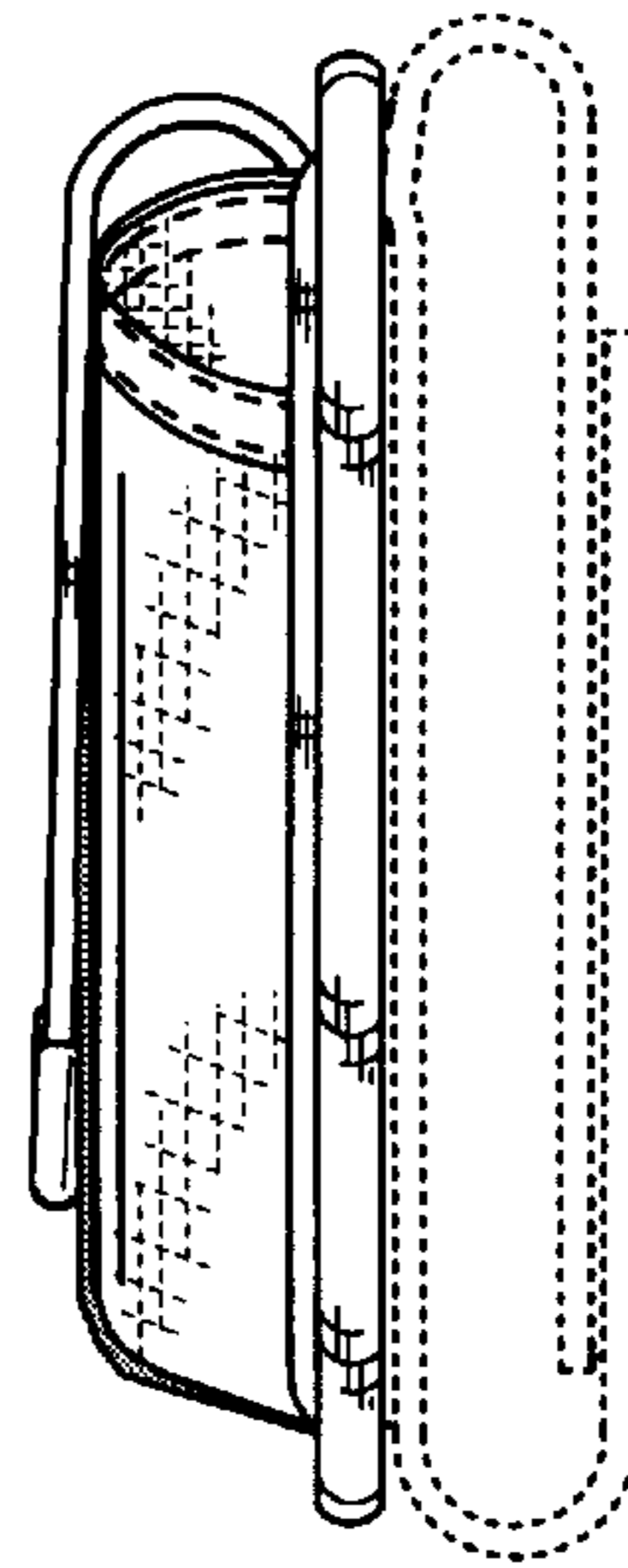
**Fig. 3**



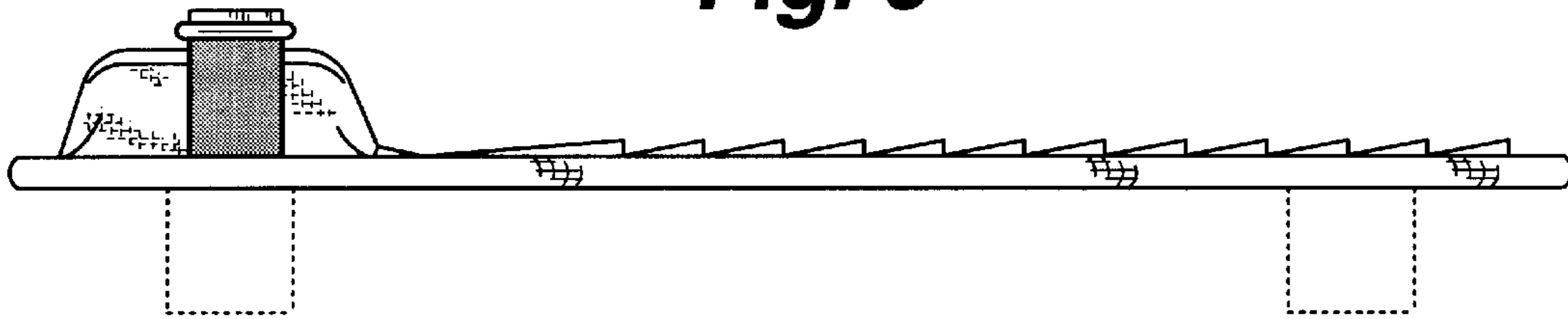
**Fig. 4**



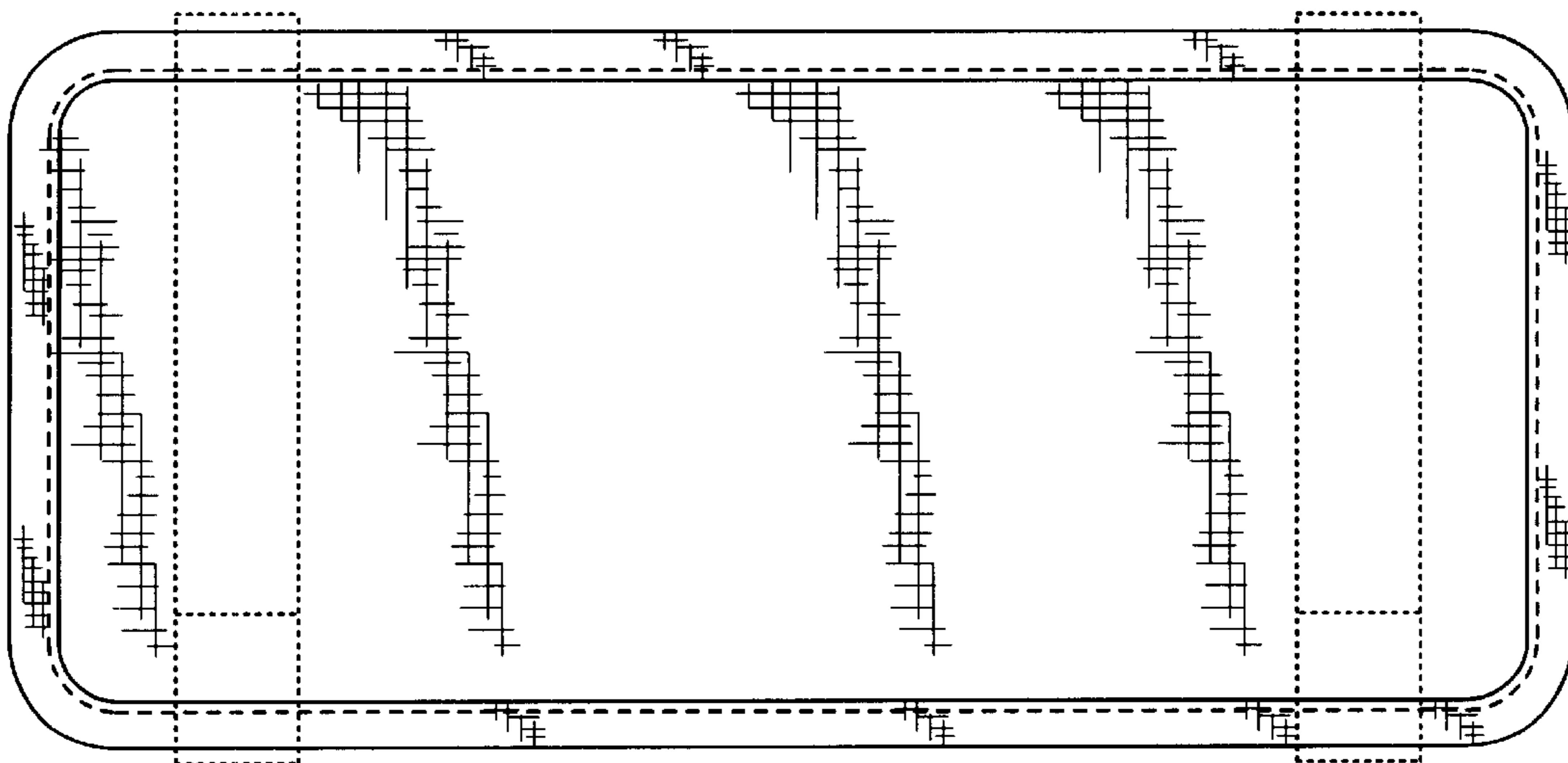
**Fig. 5**



**Fig. 6**



**Fig. 7**





**Fig. 8**

