



US00D474731S

(12) **United States Design Patent** (10) **Patent No.:** **US D474,731 S**  
**Moore** (45) **Date of Patent:** **\*\* May 20, 2003**

(54) **AUTOMOBILE CONSOLE**

(76) Inventor: **John A. Moore**, 4986 Rebecca St. NE.,  
Salem, OR (US) 97305

(\*\*) Term: **14 Years**

(21) Appl. No.: **29/159,510**

(22) Filed: **Apr. 18, 2002**

(51) **LOC (7) Cl.** ..... **12-16**

(52) **U.S. Cl.** ..... **D12/415**

(58) **Field of Search** ..... D12/192, 415-426.1;  
296/37.1-37.8, 190-191, 70; 180/90, 43-46,  
750-752; D13/162, 184, 199; D14/496;  
248/917, 352; 297/411.2-411.26

(56) **References Cited**

**U.S. PATENT DOCUMENTS**

D218,438 S	*	8/1970	Shook	.....	D12/415
3,550,001 A		12/1970	Hanley		
3,984,161 A		10/1976	Johnson		
D279,329 S		6/1985	Dzak		
4,733,900 A		3/1988	Fluharty		
4,846,382 A		7/1989	Foultner et al.		
5,005,898 A		4/1991	Benedetto et al.		
5,174,621 A		12/1992	Anderson		
5,181,555 A		1/1993	Chruniak		
5,199,772 A		4/1993	Jordan		
5,282,556 A		2/1994	Bossert		
D363,916 S	*	11/1995	Johnson	.....	D12/415
6,048,020 A		4/2000	Gronowicz		
D425,475 S		5/2000	Herer		
6,086,129 A		7/2000	Gray		
D429,209 S	*	8/2000	Inchaurregui	.....	D12/415
D429,684 S	*	8/2000	Johnson	.....	D12/415
6,123,377 A		9/2000	Lecher et al.		
D434,365 S	*	11/2000	Herer et al.	.....	D12/415
D437,299 S	*	2/2001	Johnson	.....	D12/415 X
D438,841 S		3/2001	Smith		
D443,246 S	*	6/2001	Smith	.....	D12/415
D443,855 S		6/2001	Herer et al.		
D447,998 S		9/2001	Pfeiffer et al.		
D453,318 S	*	2/2002	Moore	.....	D12/415

**OTHER PUBLICATIONS**

*Assembled Products Corporation* flyer showing vehicle equipment consoles; flyer is apparently dated Mar. 22, 2001, publication date unknown.

*Assembled Products Corporation* flyer showing vehicle equipment consoles; flyer is apparently dated Apr. 18, 2001, publication date unknown.

*Assembled Products Corporation* flyer showing vehicle equipment consoles; flyer is apparently dated May 3, 2001, publication date unknown.

*Consolidator Consoles & Computer Mounts . . .* brochure, Havis Shields Equipment Corporation, Aug. 1996.

*1998 Solutions Manual*, Gamber-Johnson, pp. 4-17, 19-24, 38, 40, 46-48, 50-53, 55, 67, 69 and 71, 1998.

*The Mounting Guide 3<sup>rd</sup> Edition* brochure, Stewart Products, Inc., 1998-1999.

\* cited by examiner

*Primary Examiner*—Stacia Cadmus

(74) *Attorney, Agent, or Firm*—Kolisch Hartwell, P.C.

(57) **CLAIM**

The ornamental design for an automobile console, as shown and described.

**DESCRIPTION**

FIG. 1 is a perspective view of a preferred embodiment of the present invention, also showing in phantom the environment in which the embodiment may be used;

FIG. 2 is another perspective view of the embodiment of FIG. 1;

FIG. 3 is a top plan view of the embodiment of FIG. 1;

FIG. 4 is a side elevation view of the left side of the embodiment of FIG. 1;

FIG. 5 is a bottom plan view of the embodiment of FIG. 1;

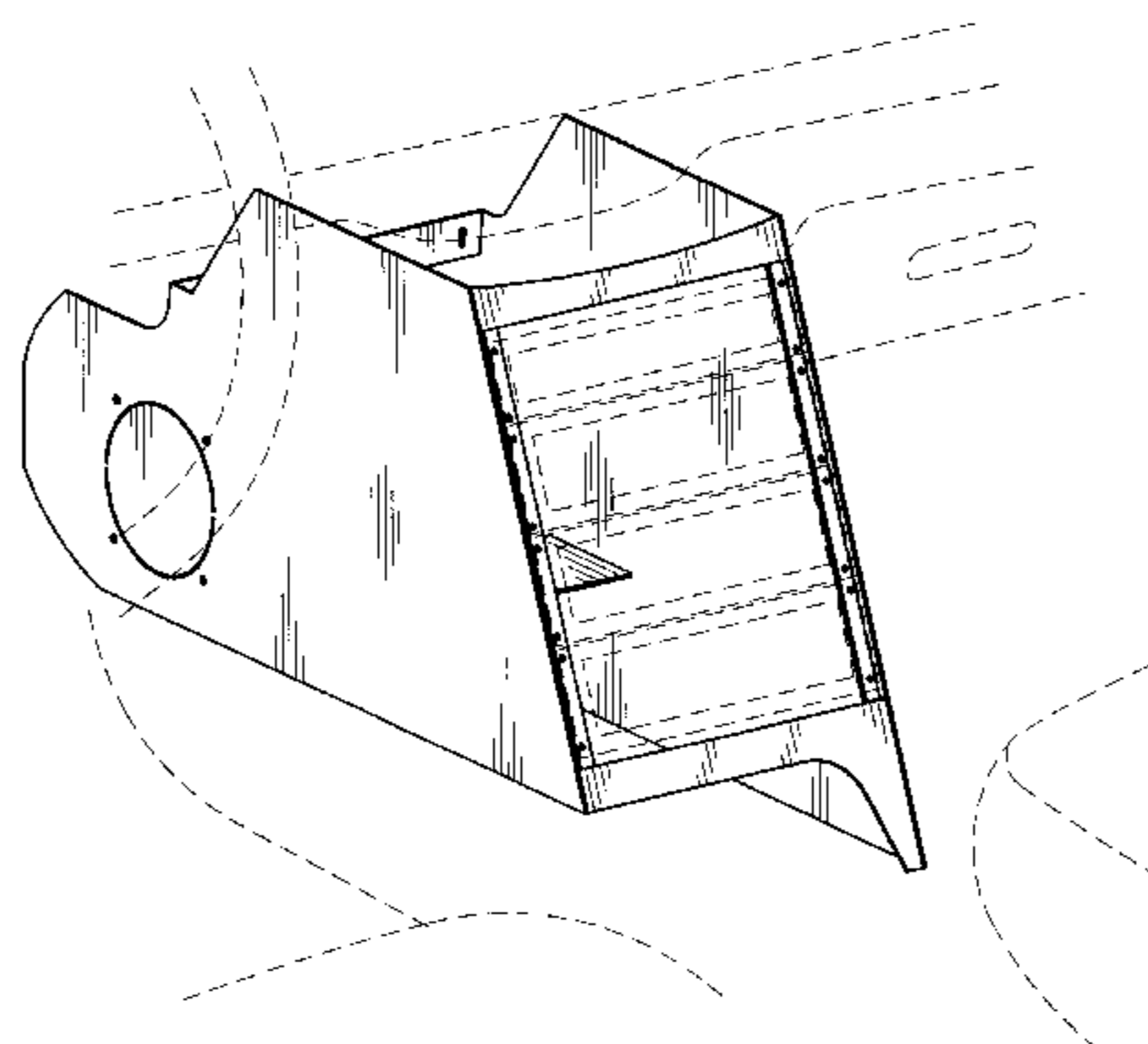
FIG. 6 is a side elevation view of the right side of the embodiment of FIG. 1;

FIG. 7 is a front elevation view of the embodiment of FIG. 1; and,

FIG. 8 is a back elevation view of the embodiment of FIG. 1.

The broken line showing of environment is for illustrative purposes only and forms no part of the claimed design.

**1 Claim, 4 Drawing Sheets**



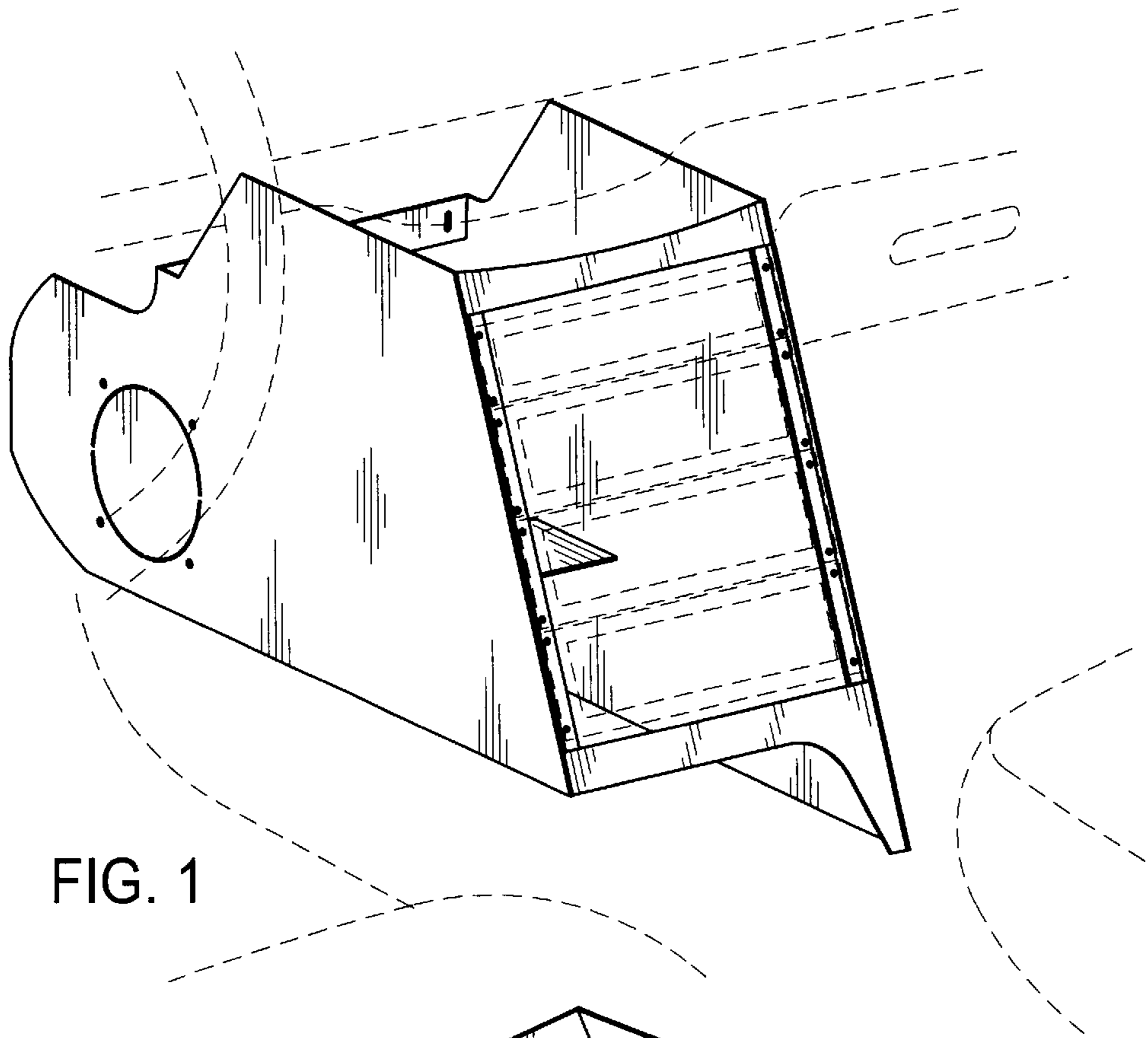


FIG. 1

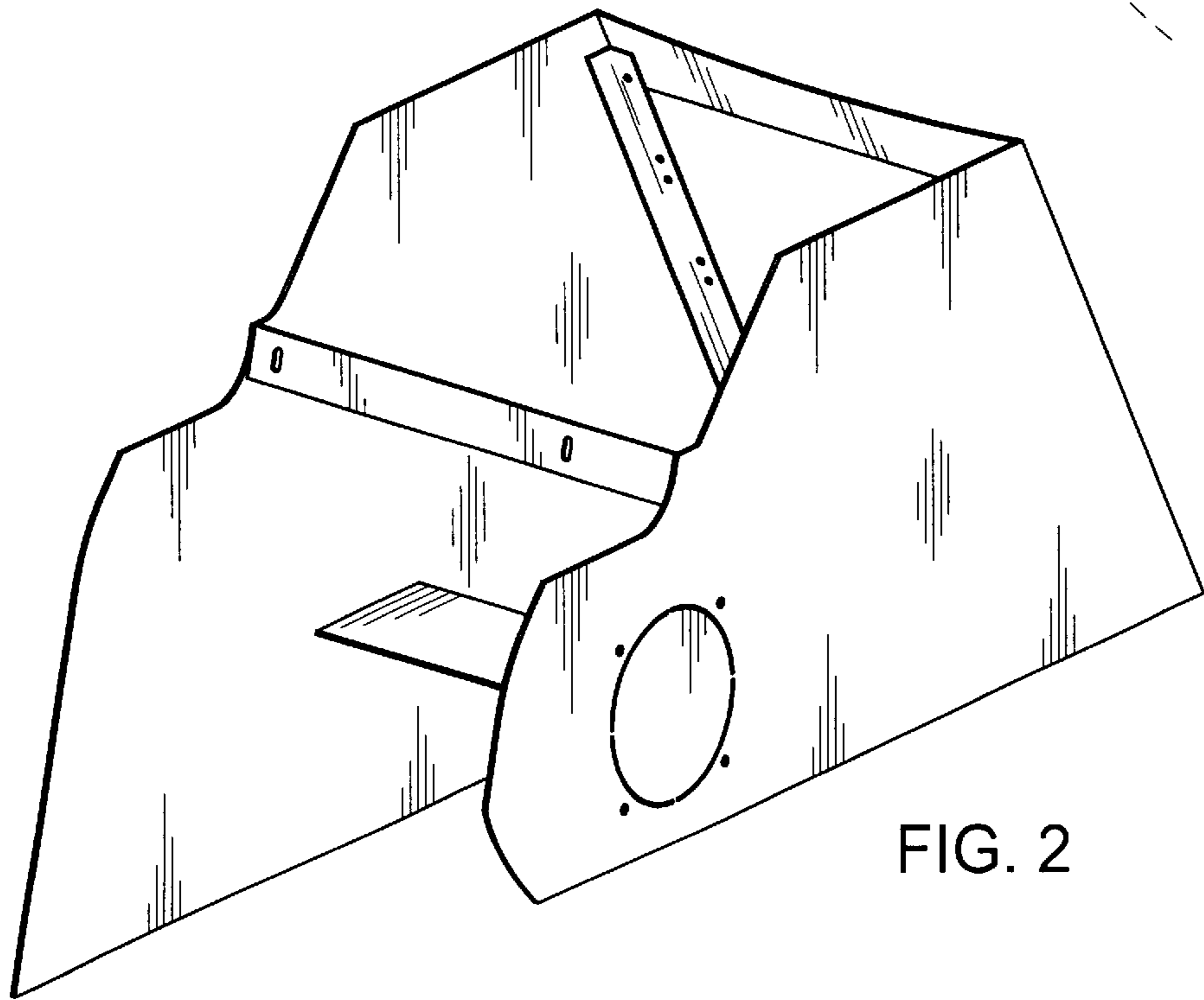


FIG. 2

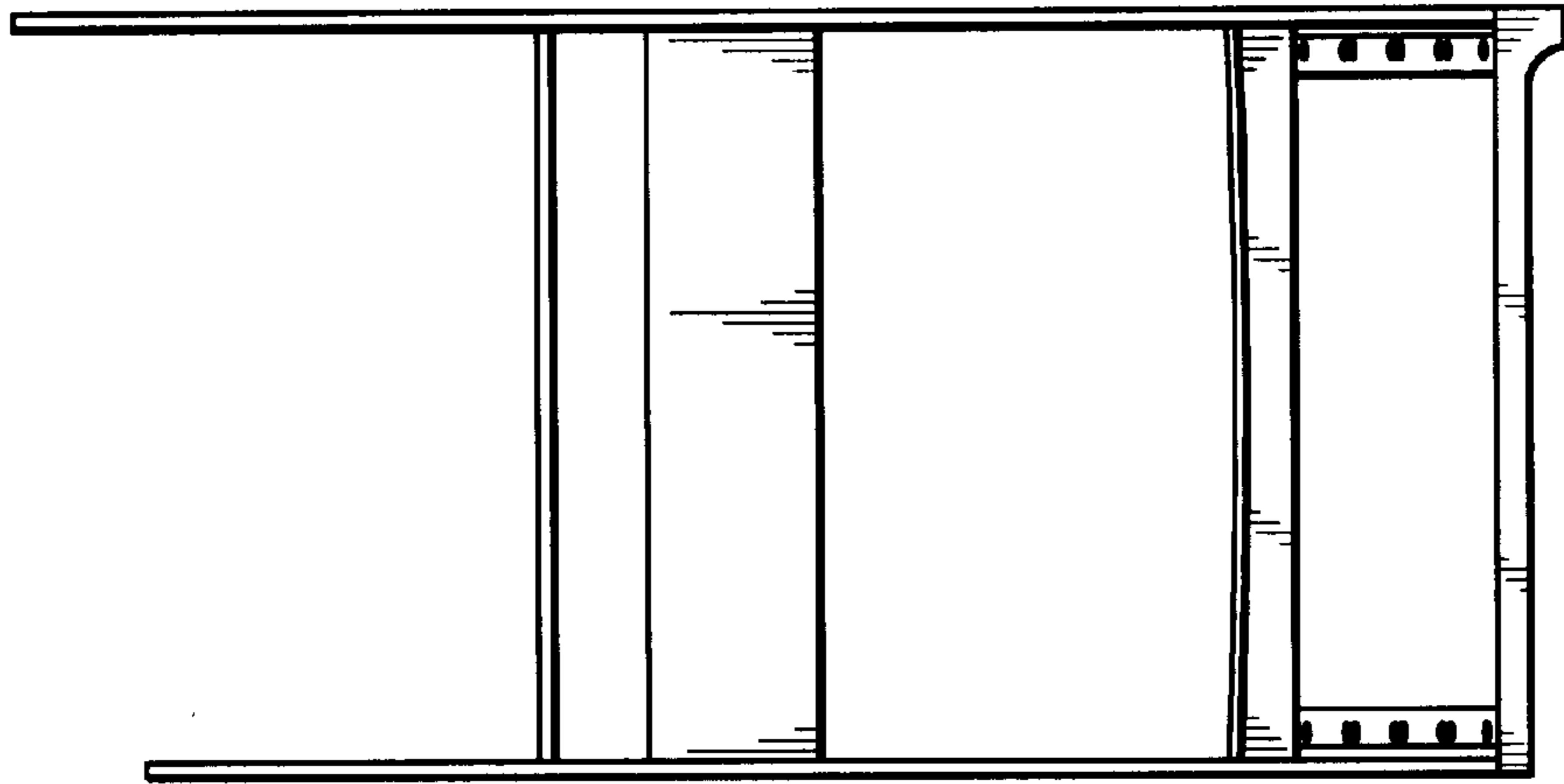


FIG. 3

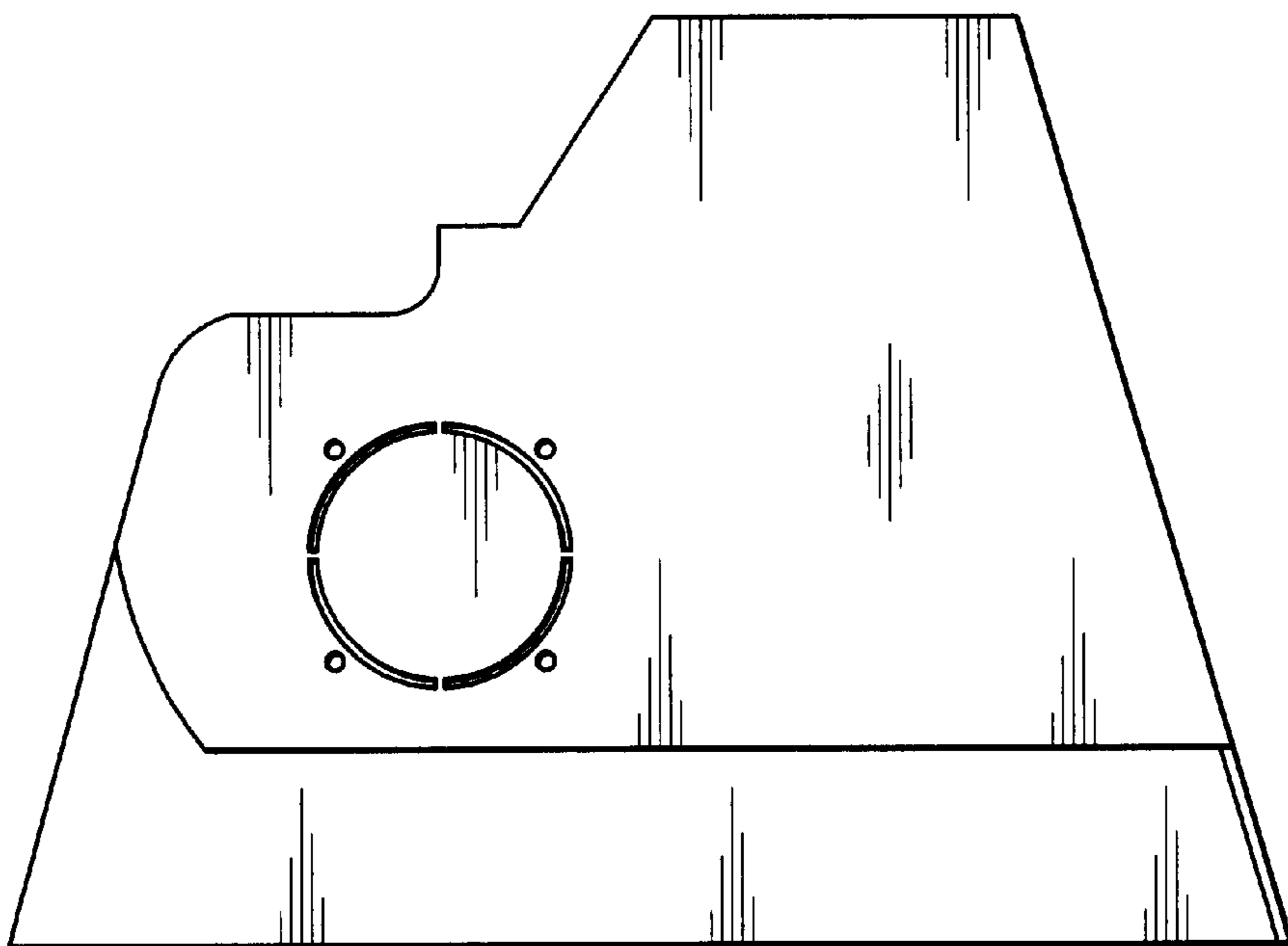


FIG. 4

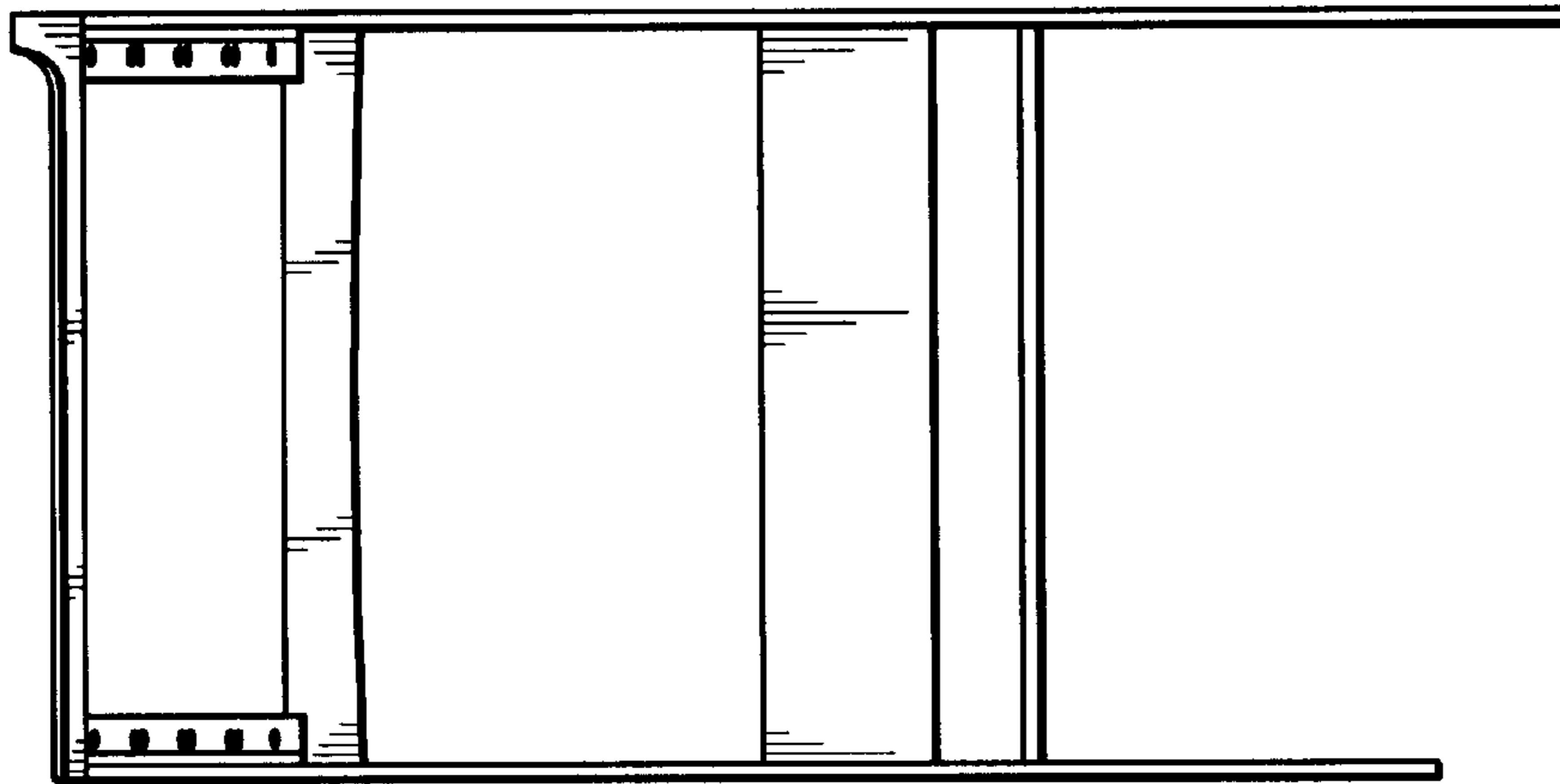


FIG. 5

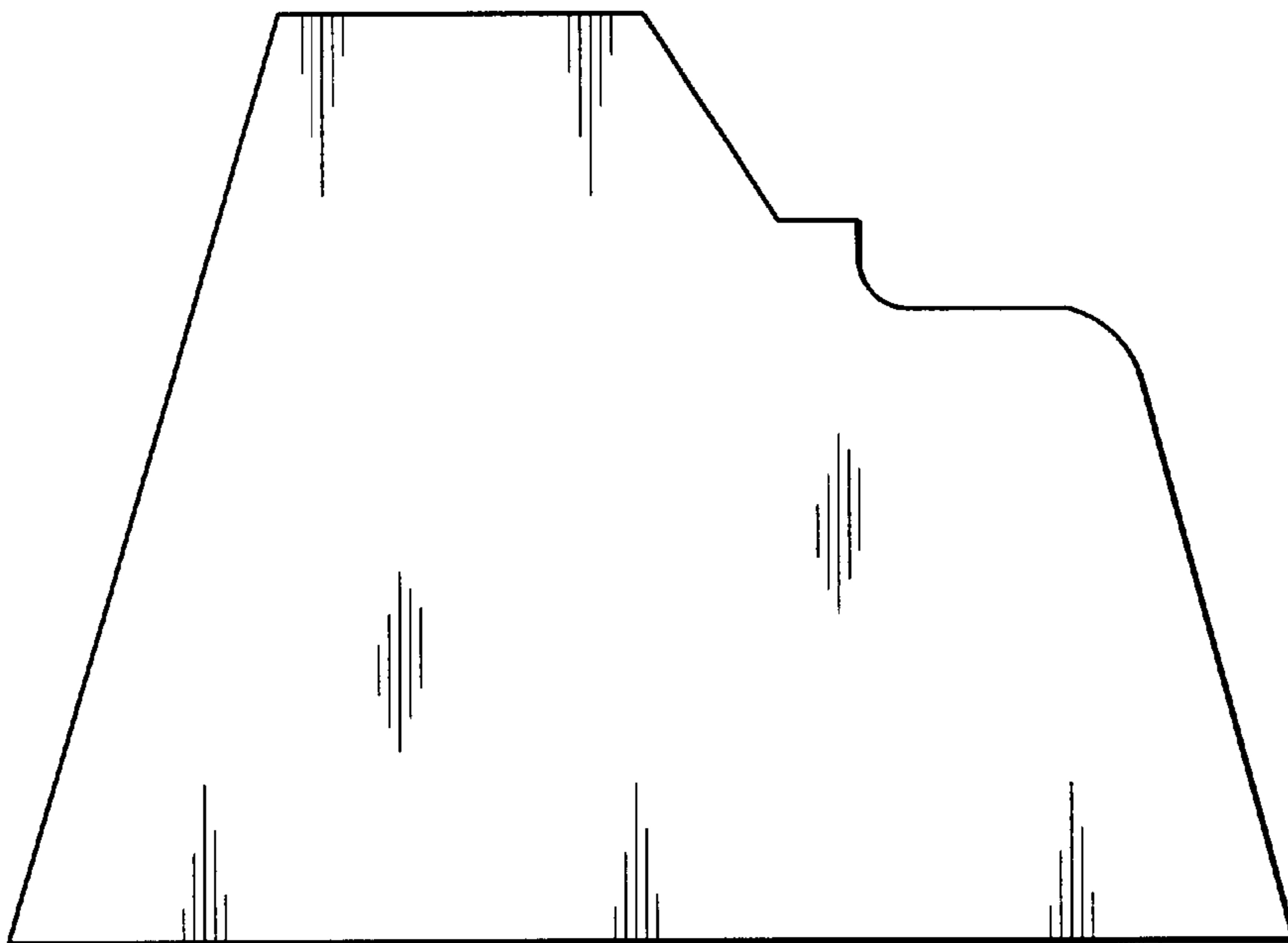


FIG. 6

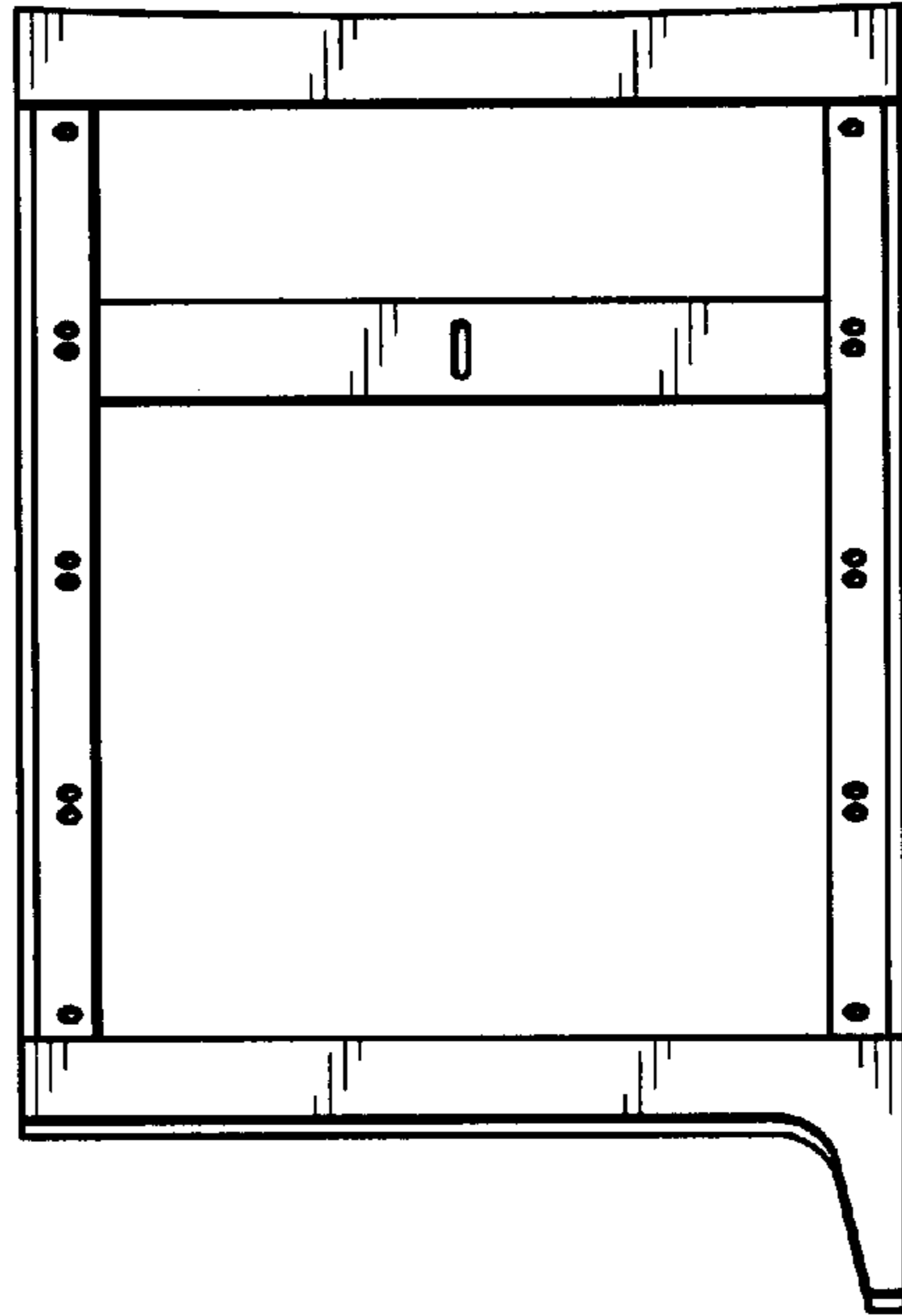


FIG. 7

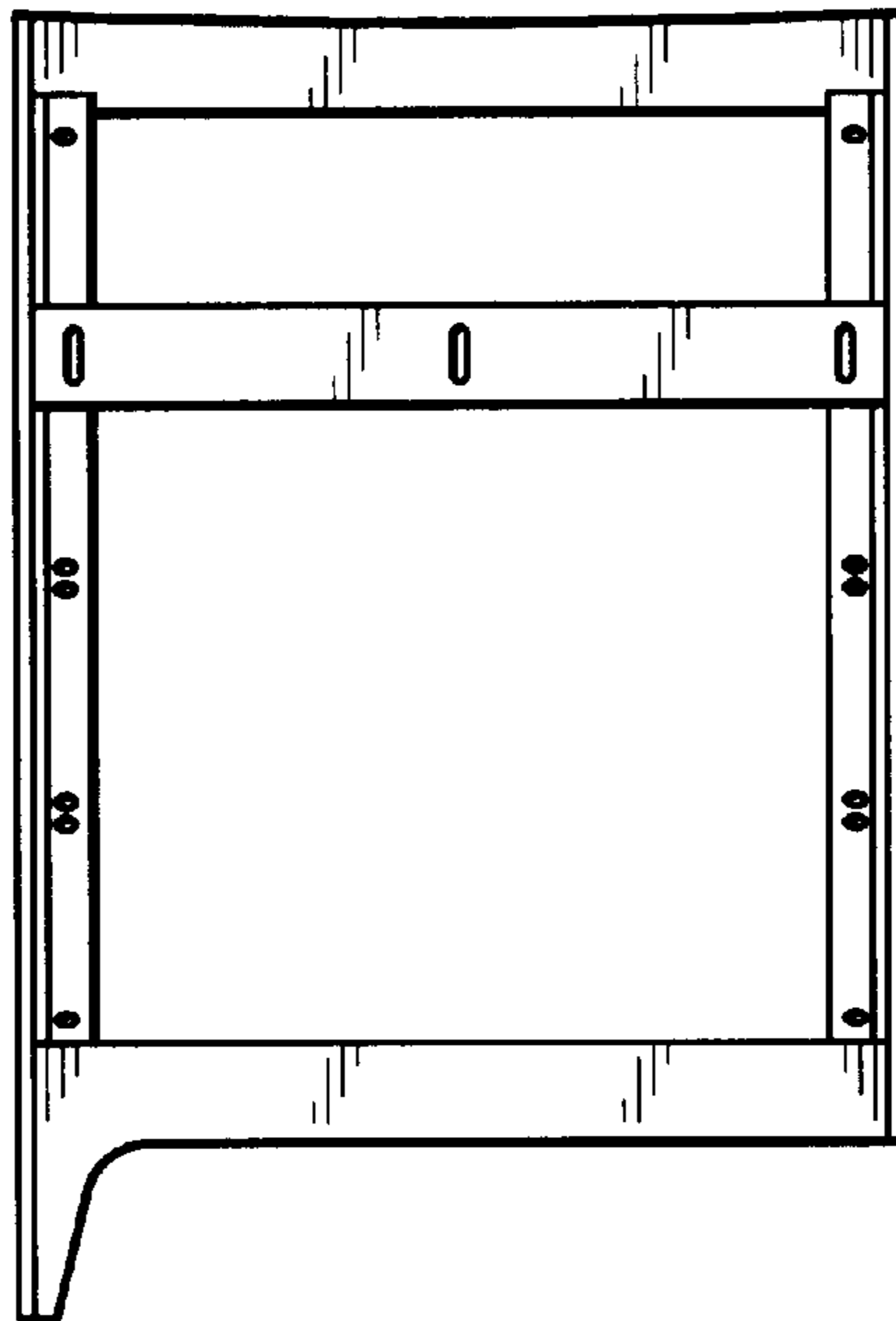


FIG. 8