



US00D474730S

(12) **United States Design Patent**
Flaherty

(10) **Patent No.:** **US D474,730 S**

(45) **Date of Patent:** **** May 20, 2003**

(54) **BOAT**

(76) Inventor: **B. Michael Flaherty**, 8105 Lindsey Rd., Casco, MI (US) 48064

(**) Term: **14 Years**

(21) Appl. No.: **29/163,616**

(22) Filed: **Jul. 9, 2002**

(51) **LOC (7) Cl.** **12-06**

(52) **U.S. Cl.** **D12/300**

(58) **Field of Search** D12/300; 114/61,
114/274, 56, 270-271, 288-291

(56) **References Cited**

U.S. PATENT DOCUMENTS

4,489,976 A 12/1984 Flaherty 296/185
D464,925 S * 10/2002 Bassani Antivari D12/300

* cited by examiner

Primary Examiner—Holly Baynham

(74) *Attorney, Agent, or Firm*—Reising, Ethington, Barnes, Kisselle, Learman & McCulloch, P.C.

(57) **CLAIM**

The ornamental design for a boat, as shown and described.

DESCRIPTION

FIG. 1 shows a right side view of a boat embodying the ornamental design;

FIG. 2 shows a left side view of the ornamental design of FIG. 1;

FIG. 3 shows a front view of the ornamental design of FIG. 1;

FIG. 4 shows a rear view of the ornamental design of FIG. 1;

FIG. 5 shows a top view of the ornamental design of FIG. 1;

FIG. 6 shows a bottom view of the ornamental design of FIG. 1;

FIG. 7 shows a perspective view of the ornamental design of FIG. 1;

FIG. 8 shows a perspective view of the ornamental design of FIG. 1;

FIG. 9 shows a cross-sectional view of the ornamental design of FIG. 1 taken along 9—9 in FIG. 5;

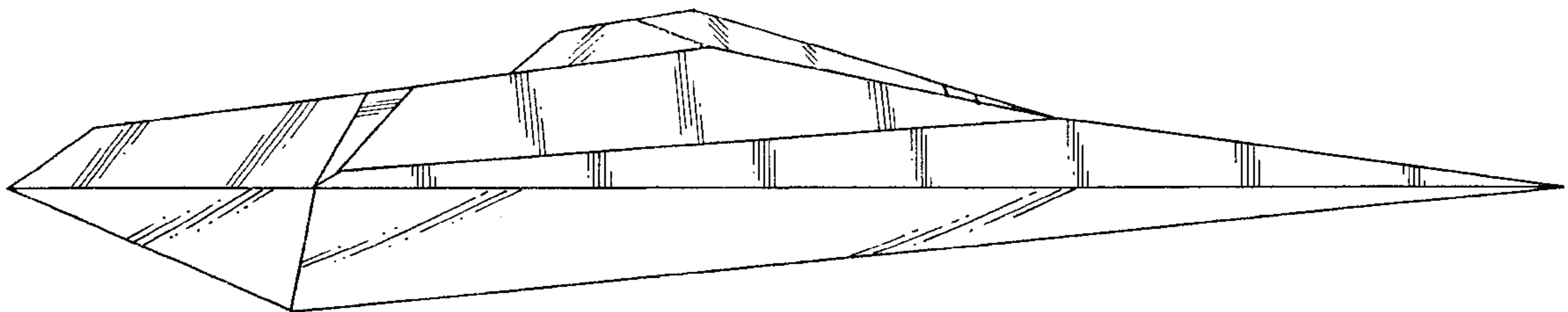
FIG. 10 shows a cross-sectional view of the ornamental design of FIG. 1 taken along line 10—10 in FIG. 5;

FIG. 11 shows an enlarged perspective view of the area circumscribed by circle 11 in FIG. 5; and,

FIG. 12 shows a fragmentary enlarged cross-sectional view of the ornamental design of FIG. 1 taken along line 12—12 in FIG. 2.

The views of FIGS. 11 and 12 are shown enlarged for clarity of illustration.

1 Claim, 5 Drawing Sheets



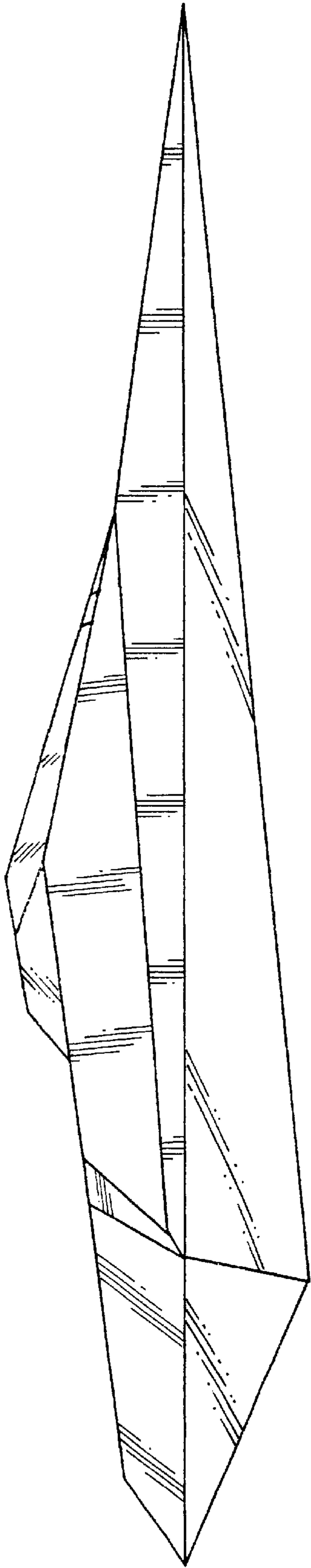


FIG. 1

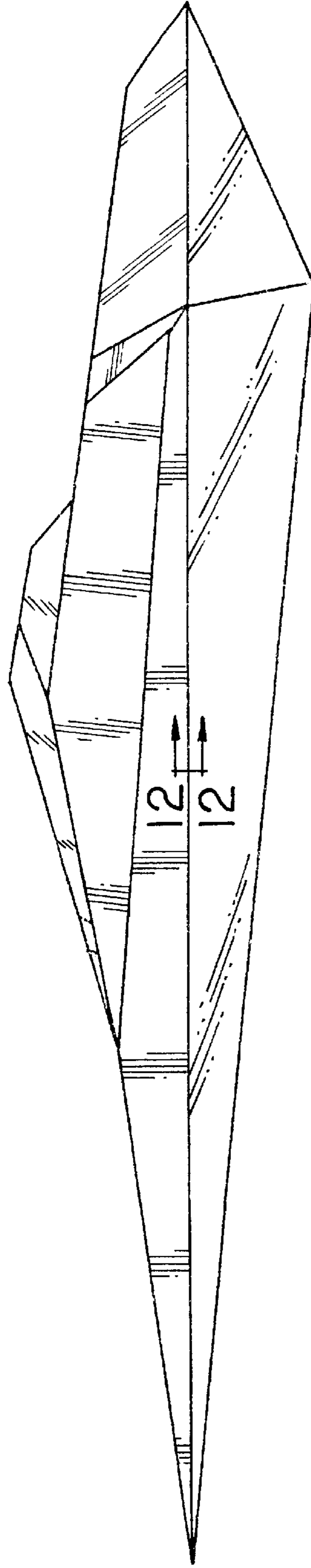


FIG. 2

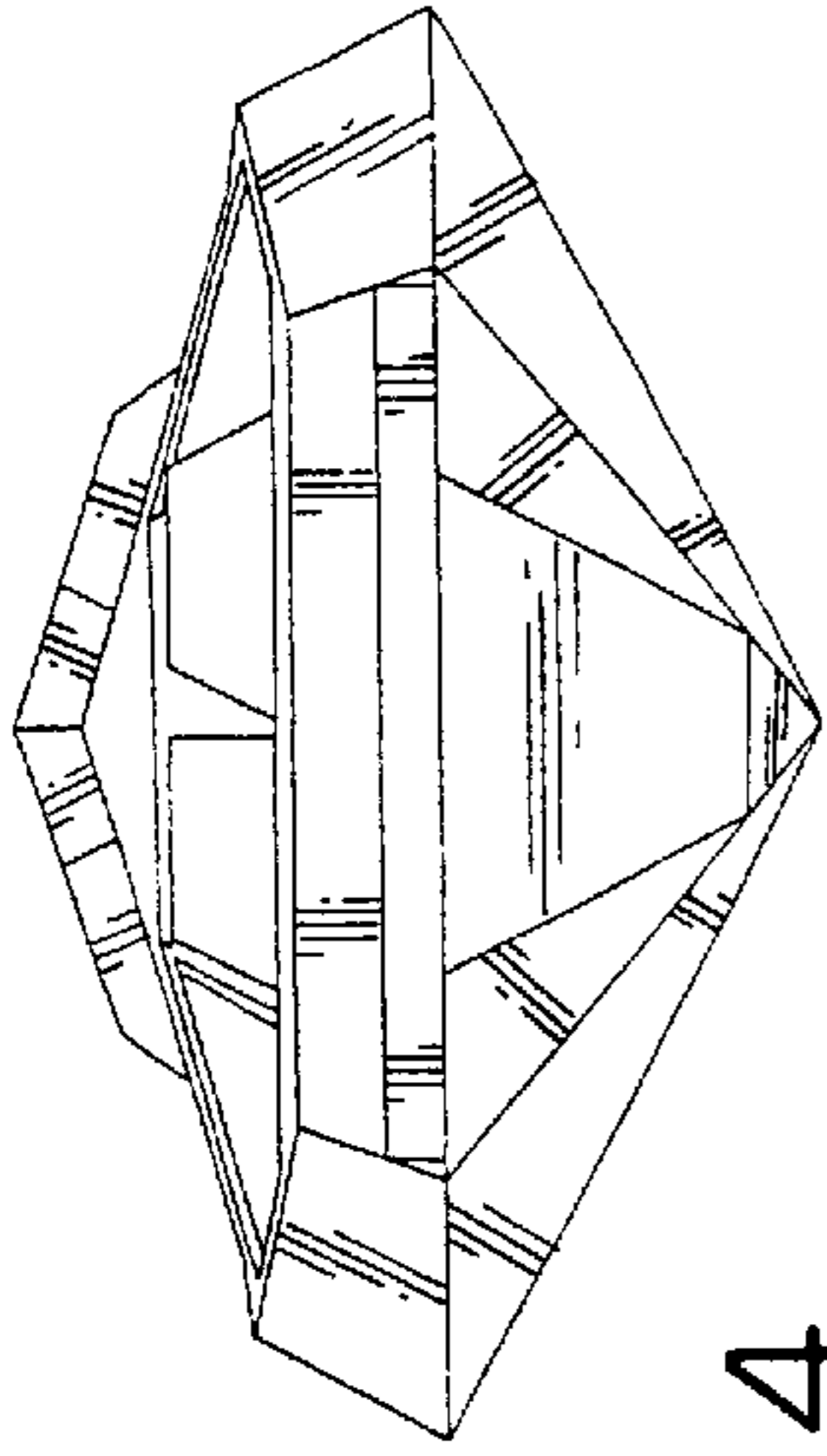


FIG. 3

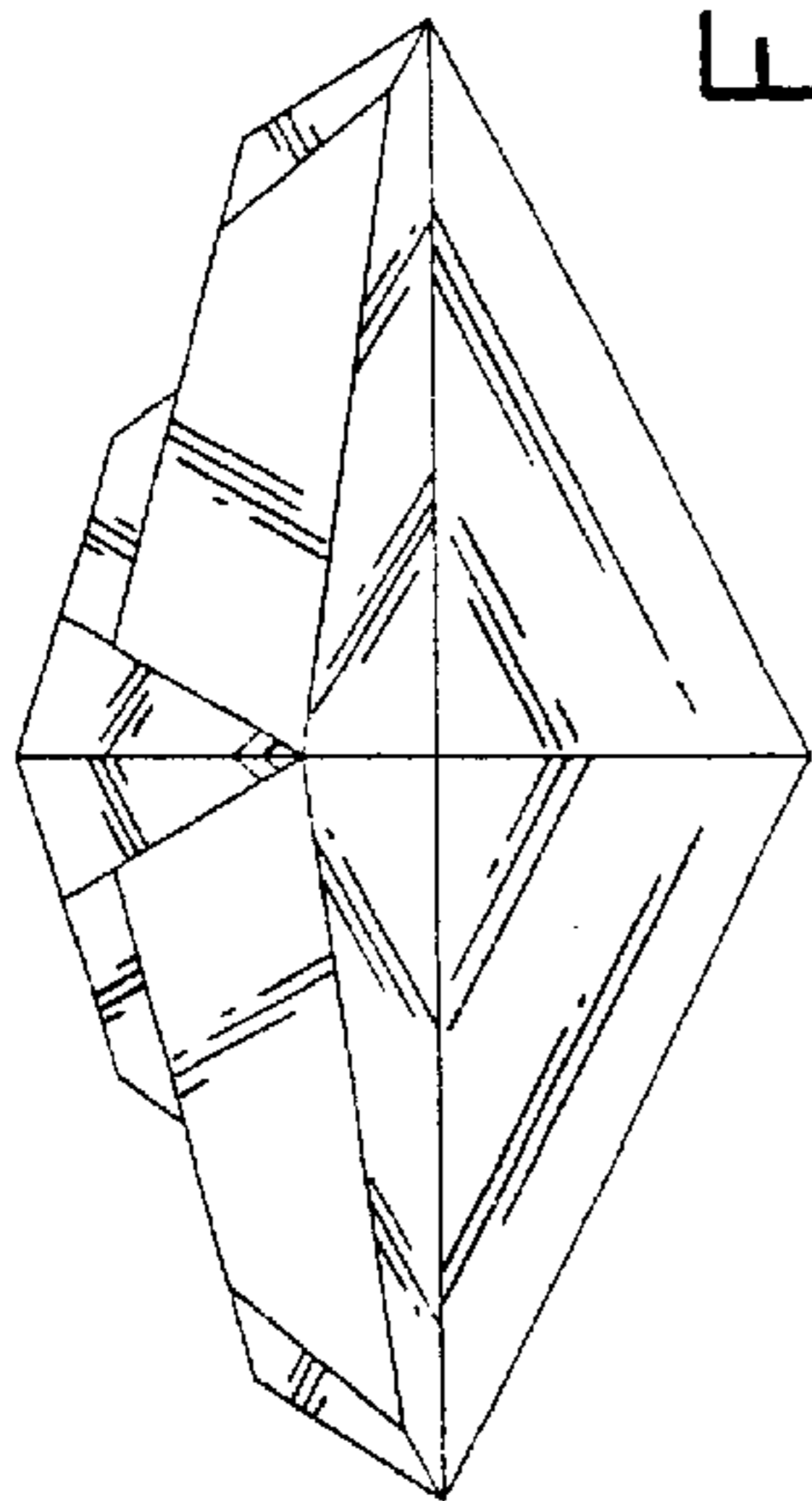


FIG. 4

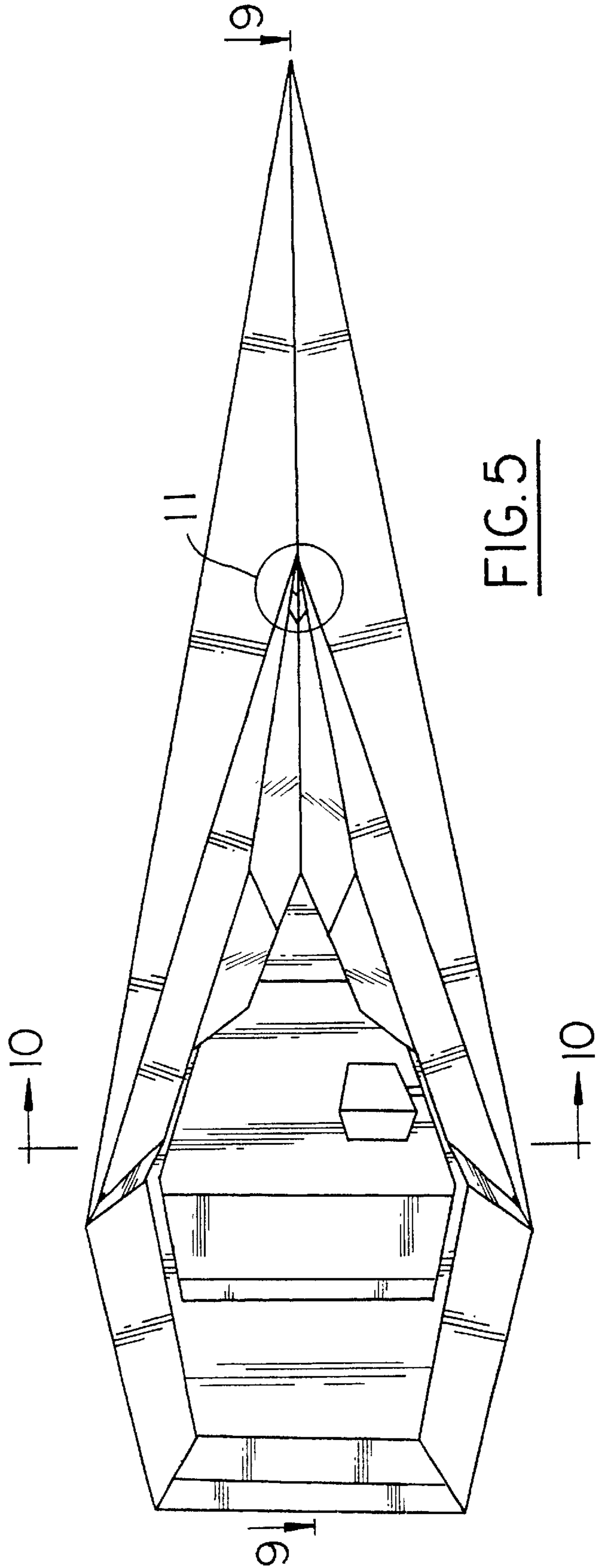


FIG. 5

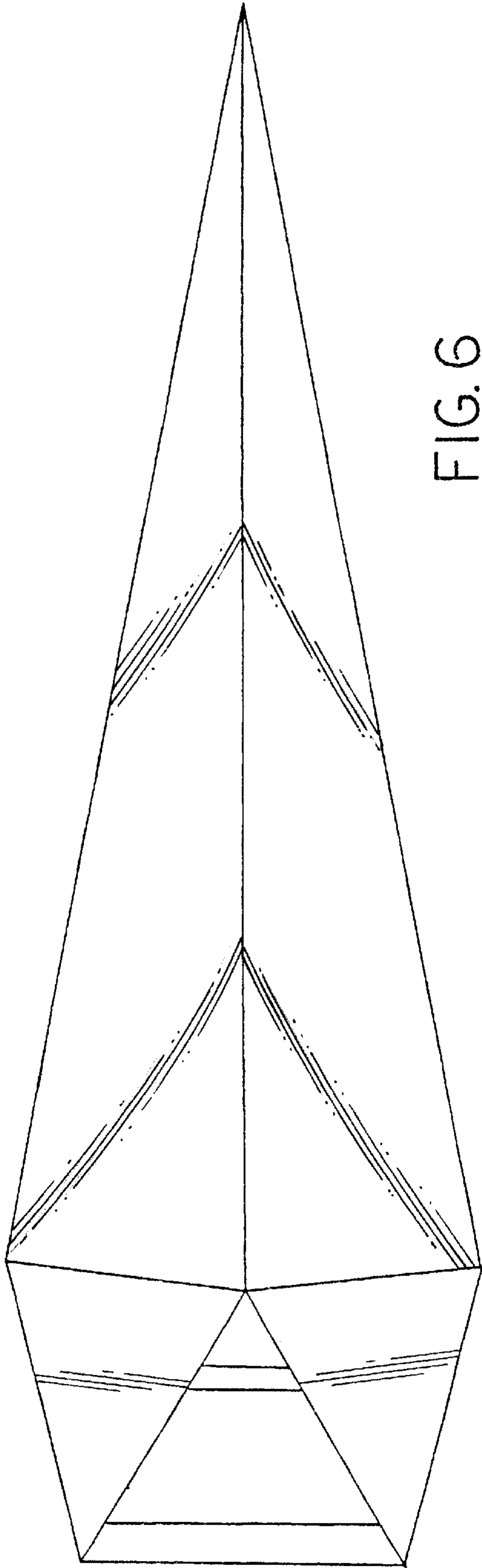


FIG. 6

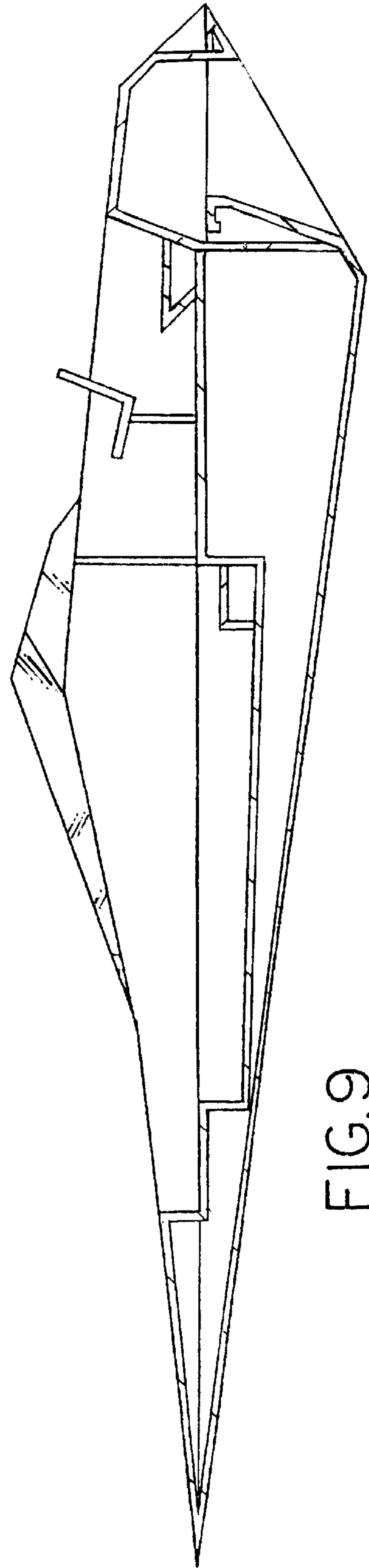


FIG. 9

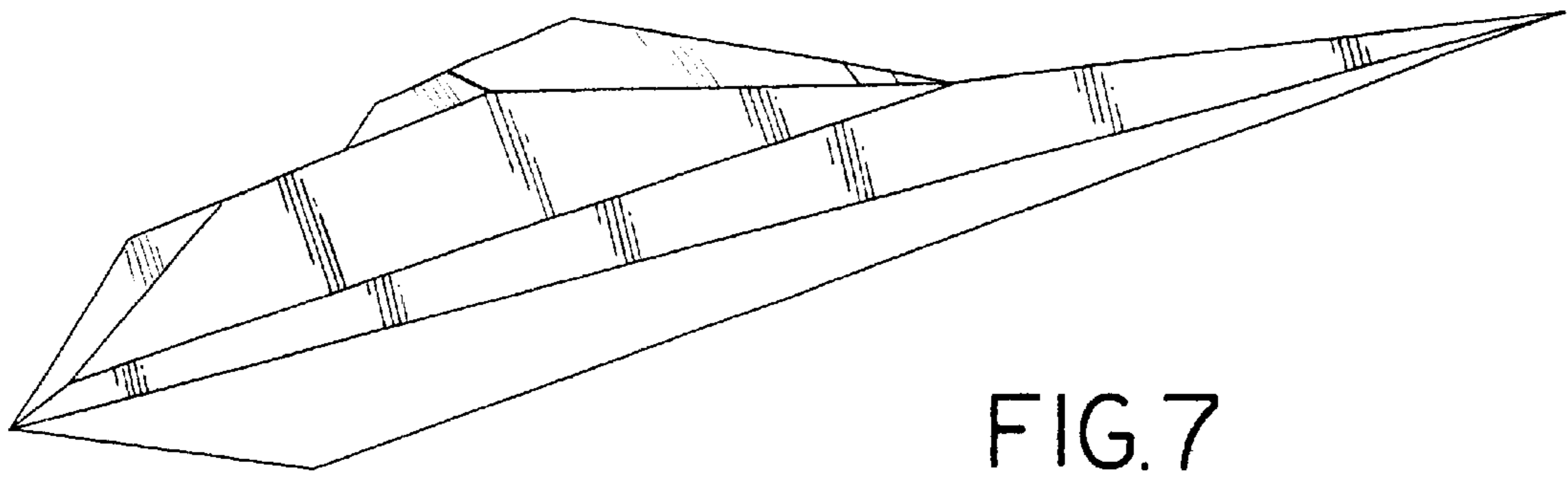


FIG. 7

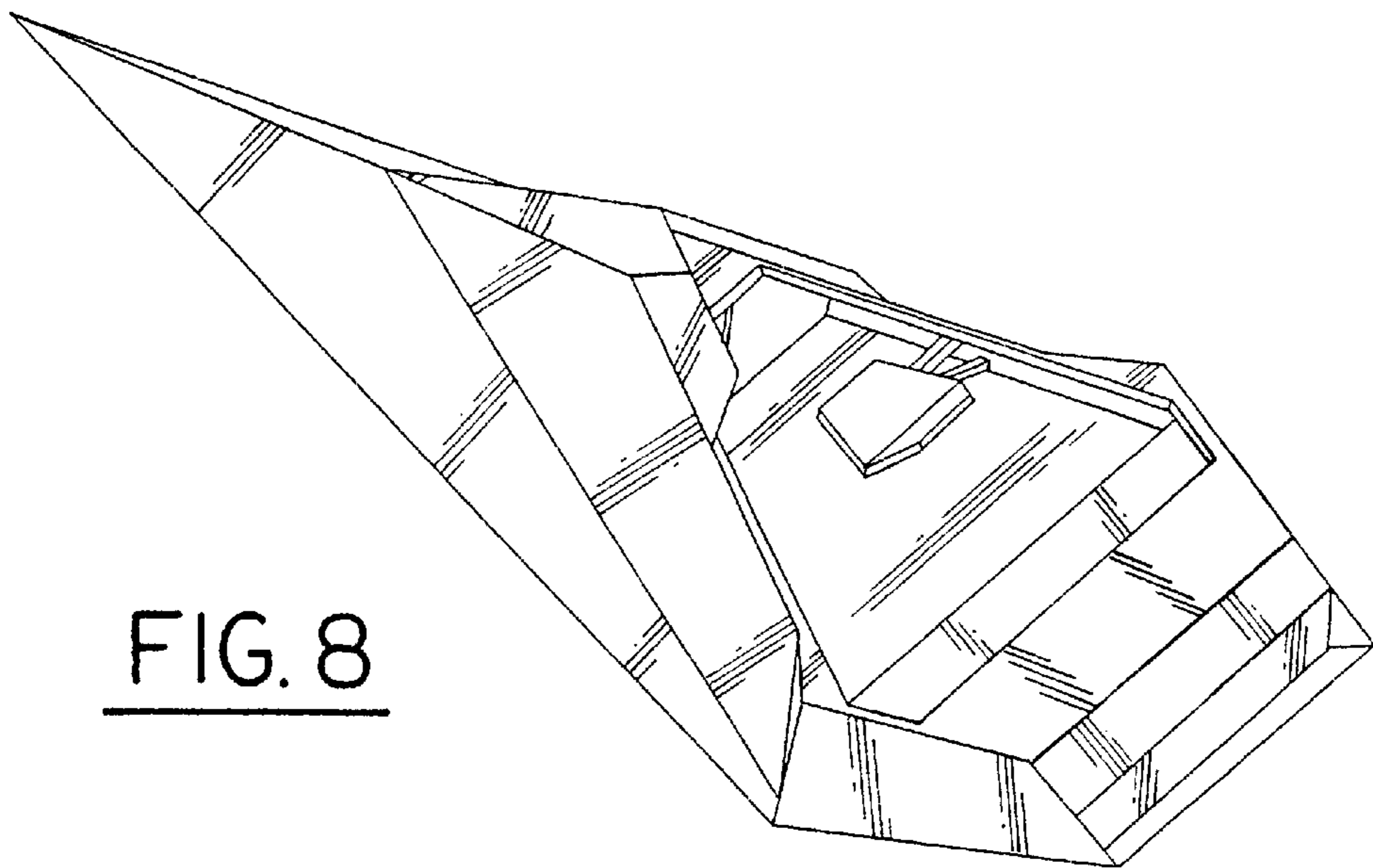


FIG. 8

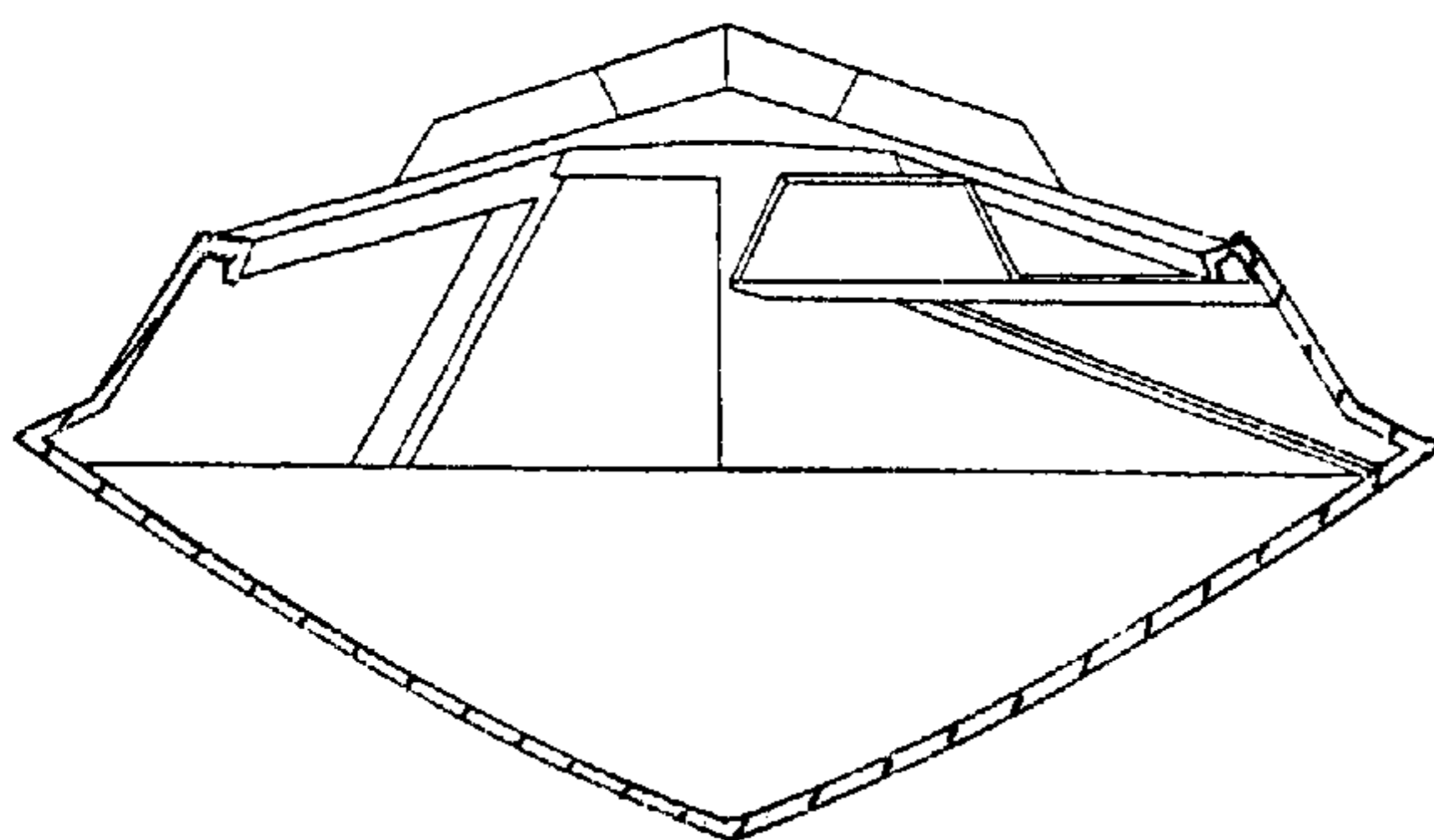


FIG. 10

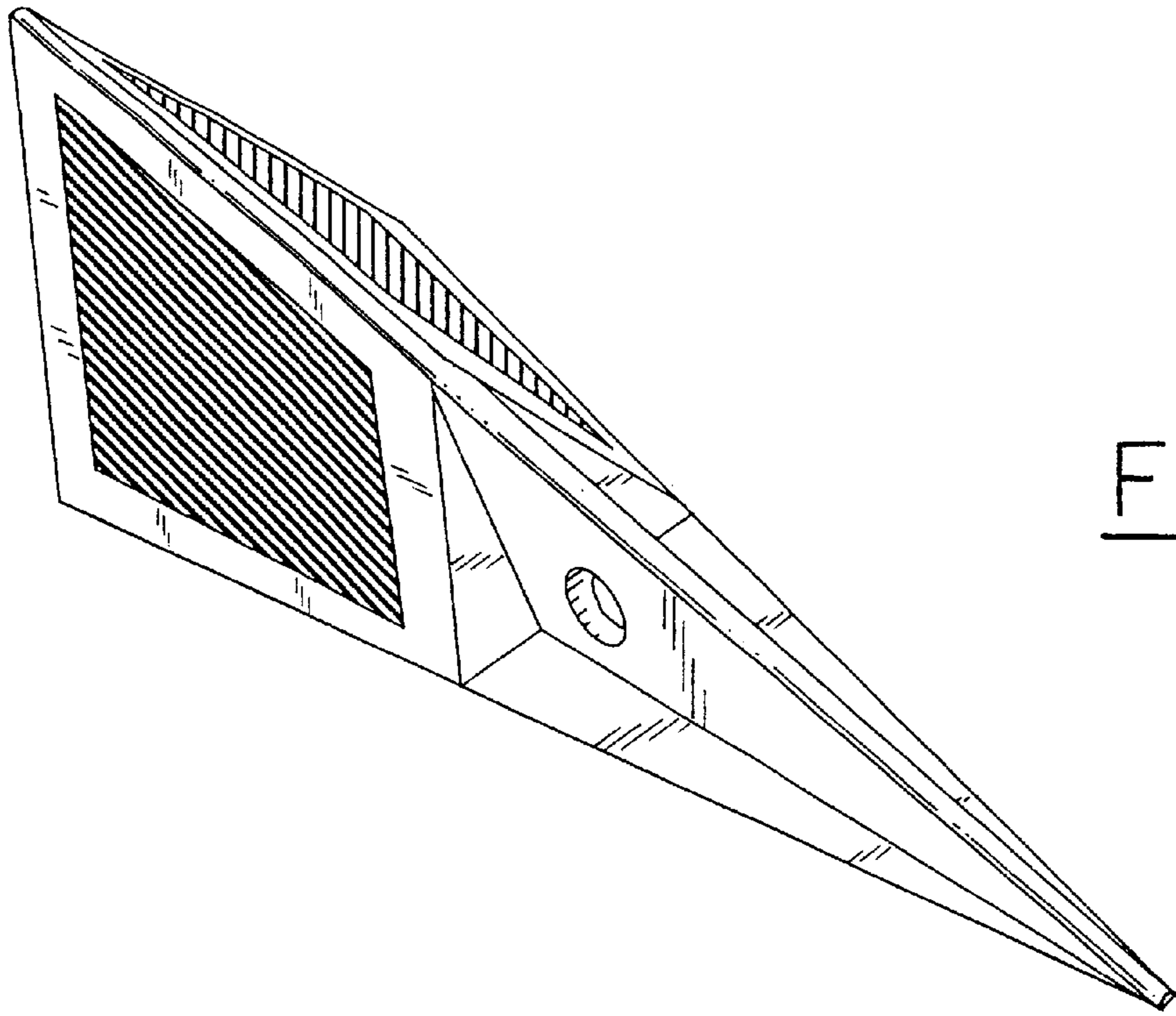


FIG. 11

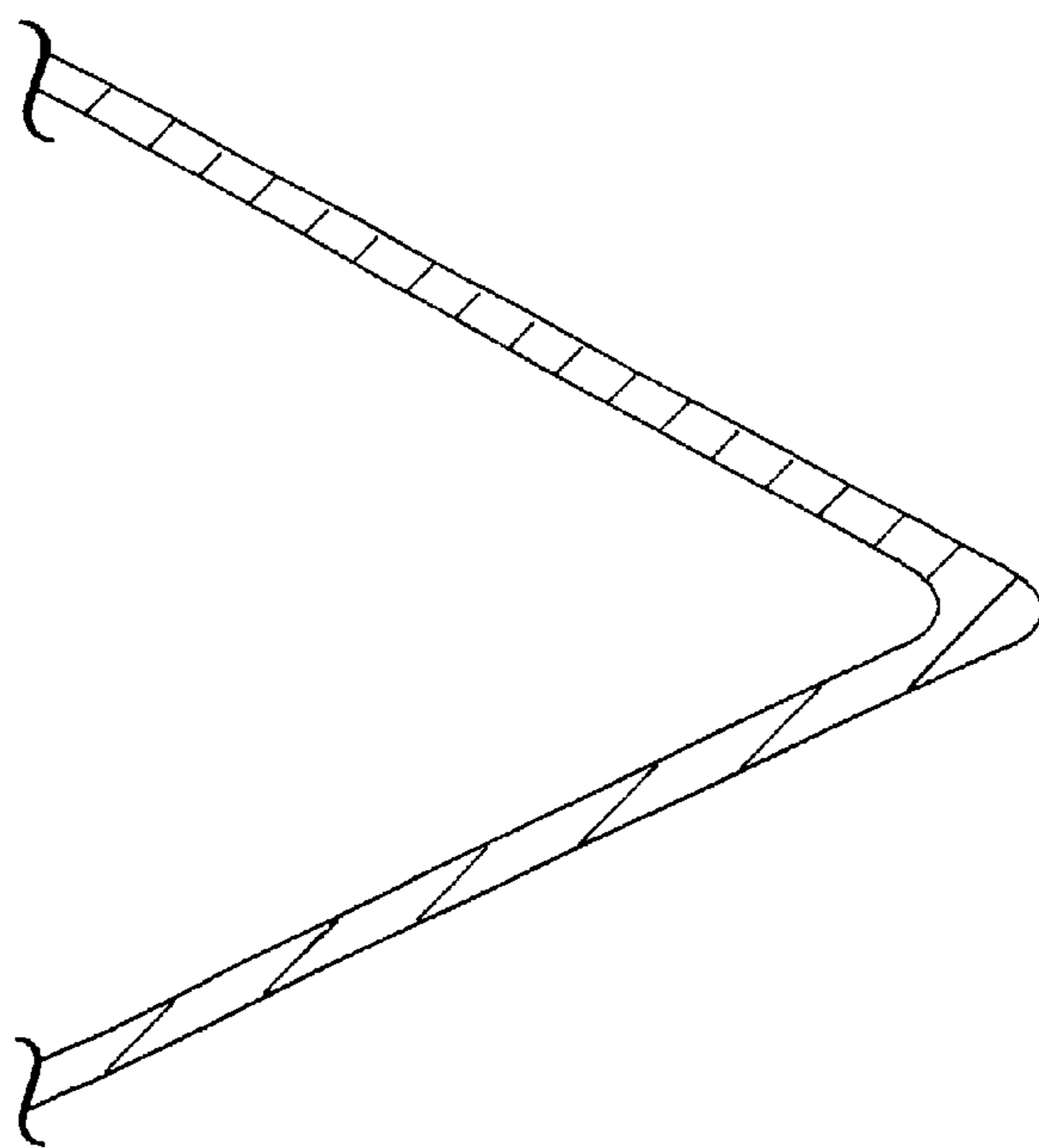


FIG. 12