



US00D474729S

(12) **United States Design Patent**
Sargent

(10) **Patent No.:** **US D474,729 S**

(45) **Date of Patent:** **** May 20, 2003**

- (54) **ADJUSTABLE WHEEL CHOCK**
- (75) Inventor: **David D. Sargent**, Rivera Beach, FL (US)
- (73) Assignee: **Green Touch Industries, INC**, West Palm Beach, FL (US)
- (**) Term: **14 Years**
- (21) Appl. No.: **29/172,629**
- (22) Filed: **Dec. 16, 2002**
- (51) **LOC (7) Cl.** **12-06**
- (52) **U.S. Cl.** **D12/217**
- (58) **Field of Search** D12/217; 188/32, 188/4 R; 224/524; 267/139, 140; 280/293; 410/30, 49; D8/374, 375, 353; D34/27

- D343,821 S * 2/1994 Bush et al. D12/217
- D365,078 S * 12/1995 Ziaylek D12/217
- D366,443 S * 1/1996 Bach et al. D12/217
- D401,210 S * 11/1998 Chiang D12/217
- D410,887 S * 6/1999 Henry D12/217
- D414,455 S * 9/1999 Perry D12/217
- D433,660 S * 11/2000 Hough D12/217

* cited by examiner

Primary Examiner—Stacia Cadmus

(74) *Attorney, Agent, or Firm*—Donald R. Bahr

(57) **CLAIM**

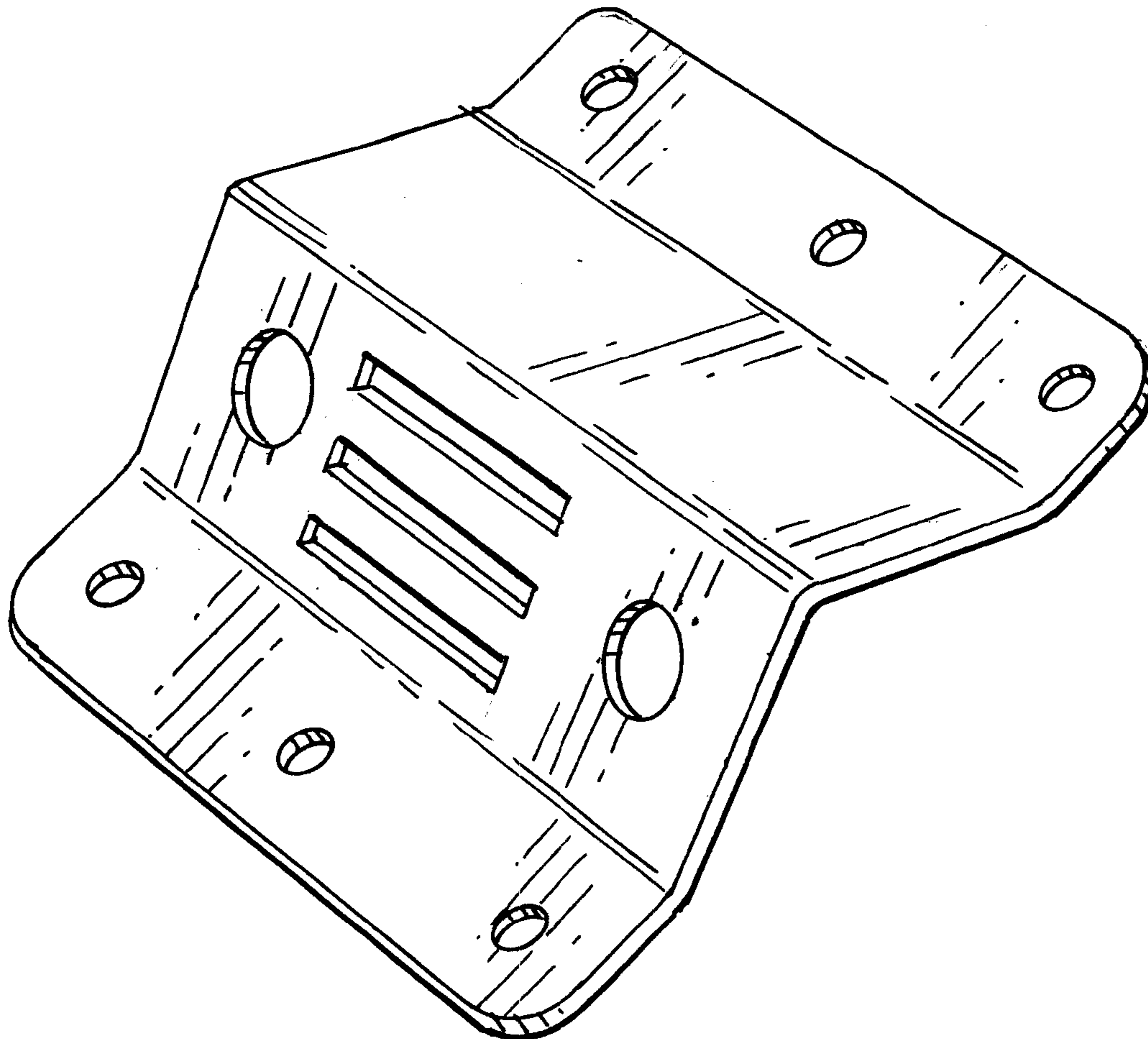
The ornamental design for an adjustable wheel chock, as shown and described.

DESCRIPTION

FIG. 1 is a perspective view of an adjustable wheel chock showing my new design;
FIG. 2 is a top view thereof;
FIG. 3 is an end view thereof;
FIG. 4 is a bottom view thereof; and,
FIG. 5 is a side view thereof.

- (56) **References Cited**
- U.S. PATENT DOCUMENTS**
- 2,810,459 A * 10/1957 Nitz 188/32
- D253,408 S * 11/1979 Sargent D12/217
- D297,003 S * 8/1988 Haskamp et al. D12/217

1 Claim, 1 Drawing Sheet



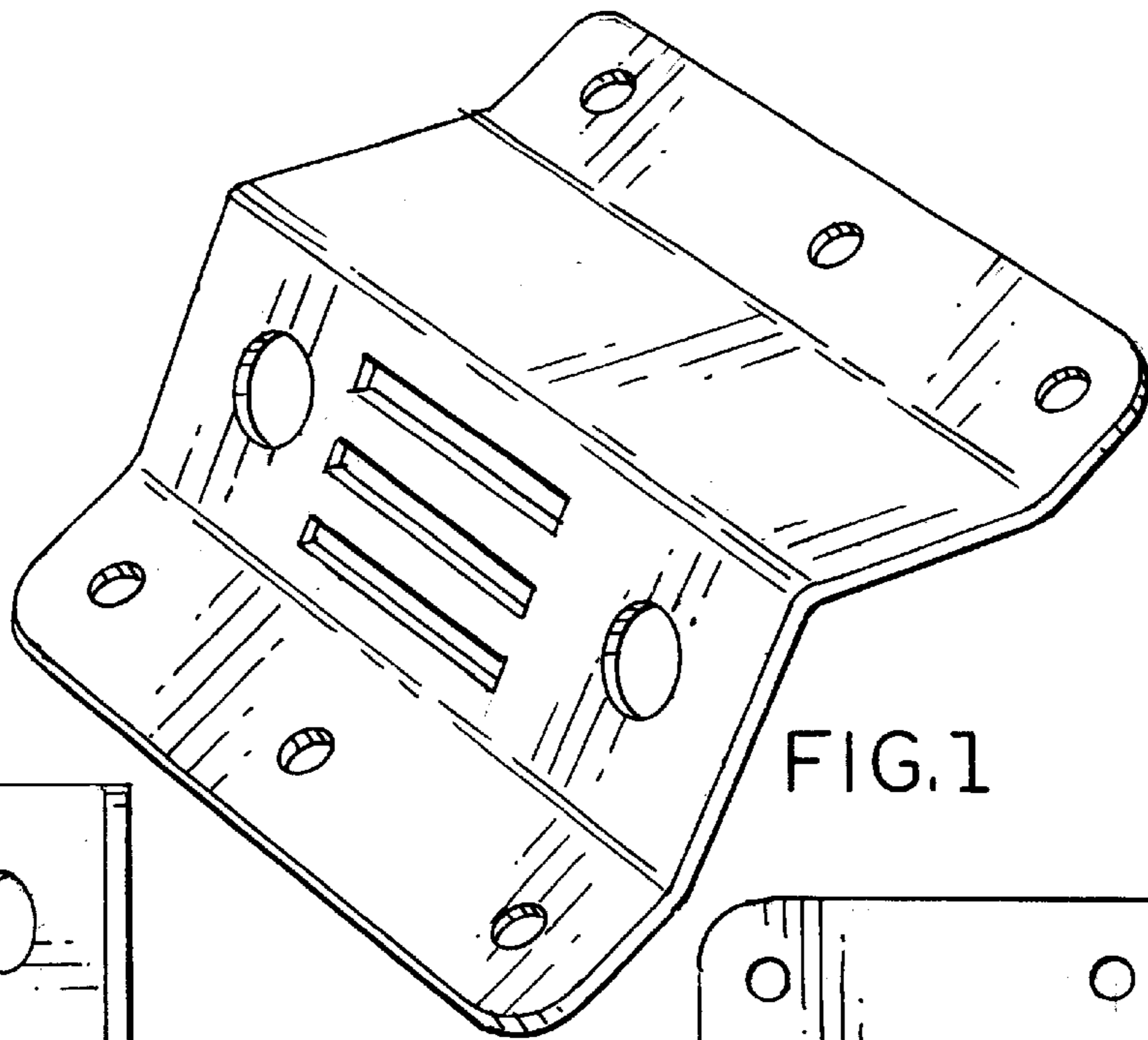


FIG. 1

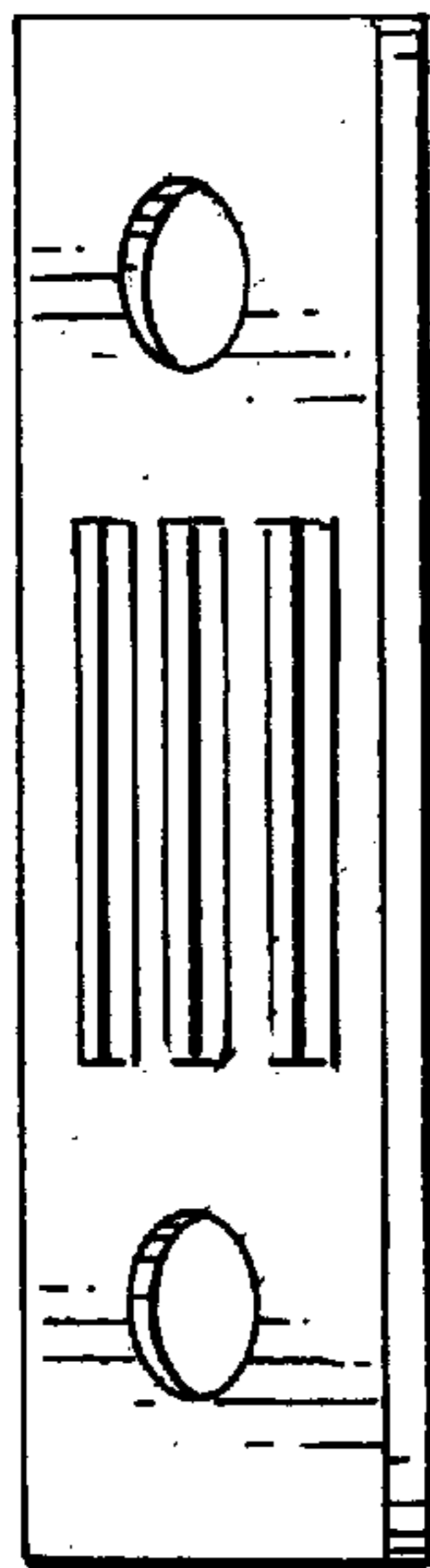


FIG. 3

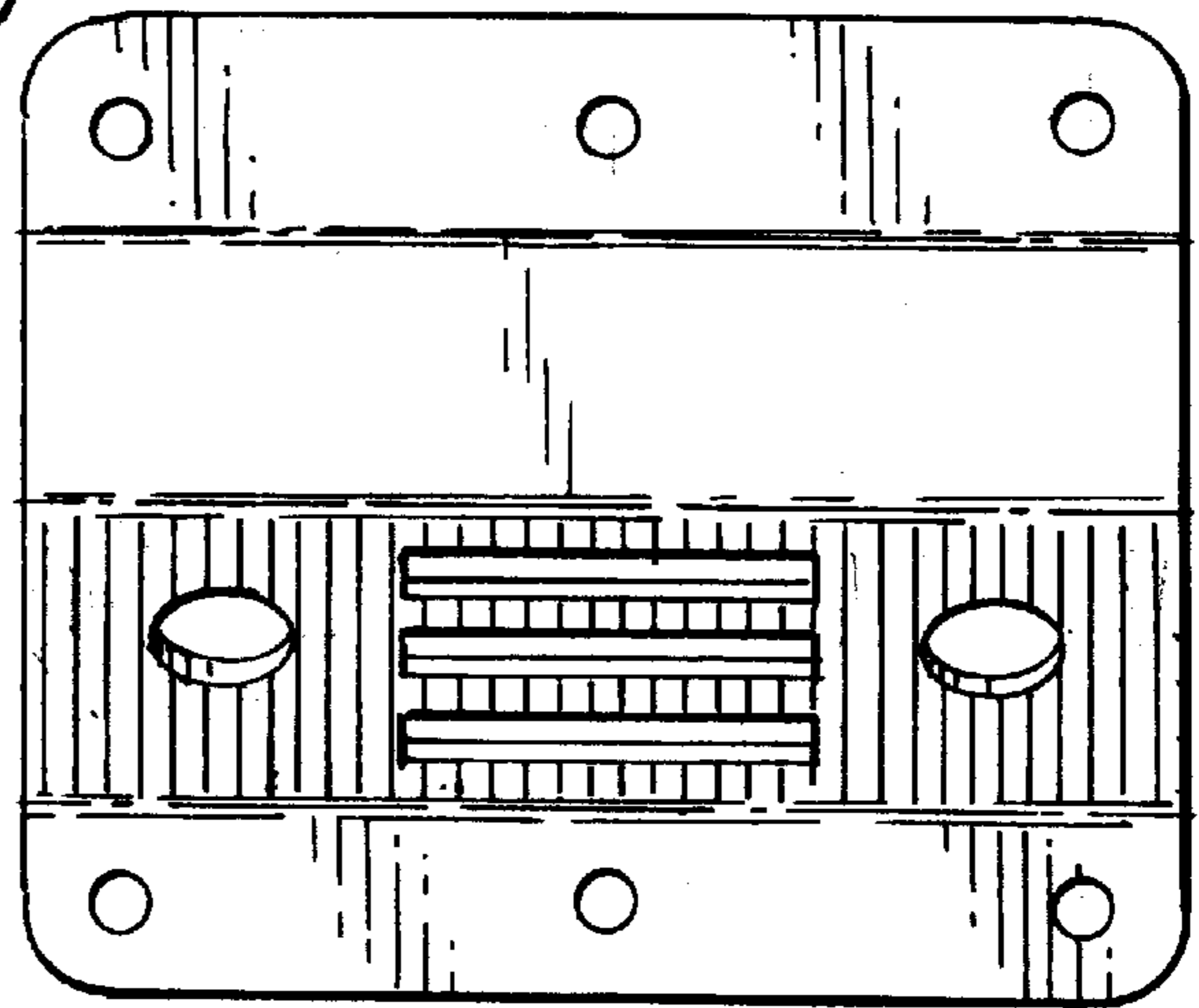


FIG. 2

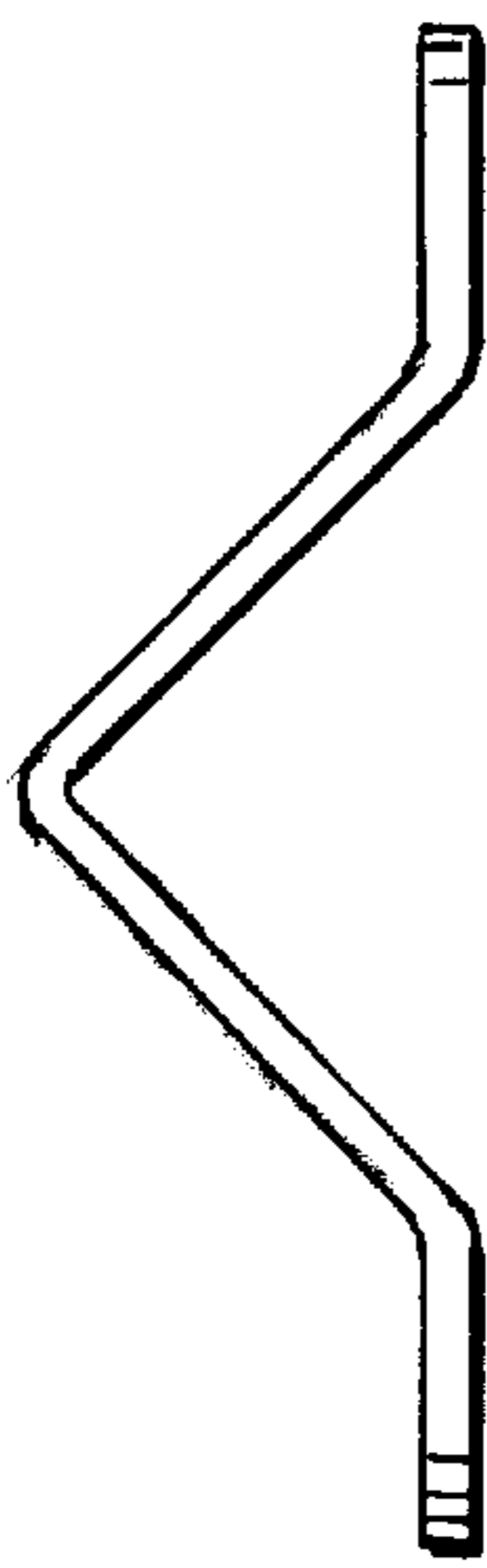


FIG. 5

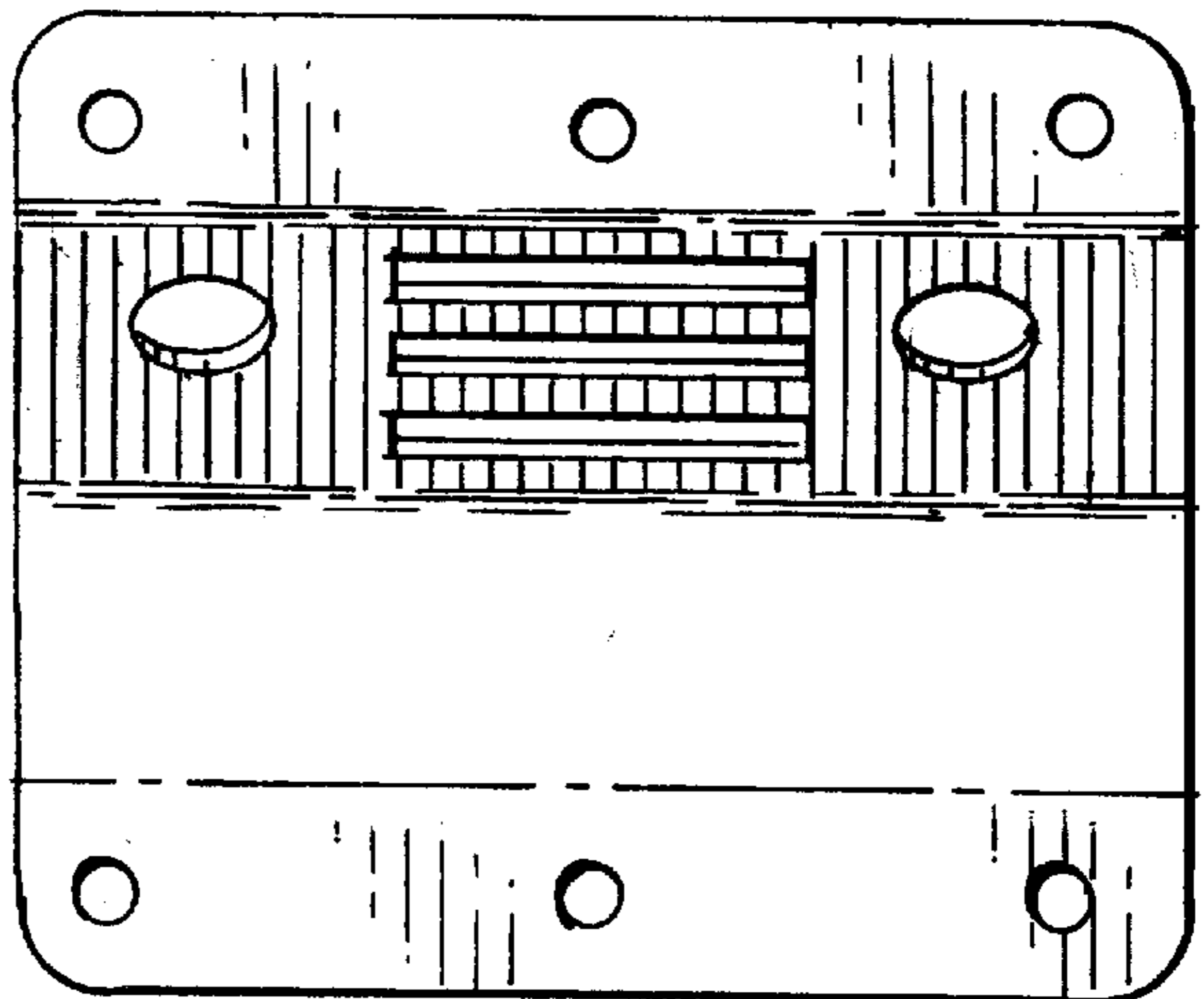


FIG. 4