



US00D474728S

(12) **United States Design Patent**  
**Ruffin**

(10) **Patent No.:** **US D474,728 S**

(45) **Date of Patent:** **\*\* May 20, 2003**

(54) **TRUCK SIDE STEP**

(76) **Inventor:** **Thomas Jerry Ruffin**, 104 Sunset  
Cove, Brandon, MS (US) 39047

(\*\*) **Term:** **14 Years**

(21) **Appl. No.:** **29/169,470**

(22) **Filed:** **Oct. 22, 2002**

**Related U.S. Application Data**

(63) Continuation-in-part of application No. 29/161,262, filed on  
May 28, 2002.

(51) **LOC (7) Cl.** ..... **12-16**

(52) **U.S. Cl.** ..... **D12/203**

(58) **Field of Search** ..... D12/203, 190,  
D12/162; 280/163, 164.1, 848, 169, 165-166;  
182/90-92; 296/62; D25/62, 63, 68, 69

(56) **References Cited**

**U.S. PATENT DOCUMENTS**

D21,780 S	*	8/1892	Wilson	.....	D12/203
D22,404 S	*	5/1893	Pope	.....	D12/203
724,155 A	*	3/1903	Besse	.....	280/166
753,334 A		3/1904	Vaughan		
810,199 A	*	1/1906	Erret	.....	280/166
3,266,594 A	*	8/1966	Antosh et al.	.....	182/91
3,329,443 A	*	7/1967	Lowder et al.	.....	280/166
3,572,753 A	*	3/1971	Claassen	.....	280/166
3,758,134 A	*	9/1973	Stewart	.....	280/166
3,762,742 A	*	10/1973	Bucklen	.....	280/166
4,017,093 A		4/1977	Stecker, Sr.		
T977,005 I4		12/1978	Sidles, Jr. et al.		
4,605,098 A		8/1986	Leuty		
D296,431 S	*	6/1988	Yont	.....	D12/203

D316,394 S	*	4/1991	Carr	.....	D12/203
5,007,654 A		4/1991	Sauber		
5,139,295 A		8/1992	Escobedo		
5,513,866 A		5/1996	Sisson		
6,082,752 A		7/2000	Sumrall		
6,170,843 B1		1/2001	Maxwell et al.		
D449,264 S	*	10/2001	Weinerman	.....	D12/203
D463,345 S	*	9/2002	Cipolla	.....	D12/203

\* cited by examiner

*Primary Examiner*—Stacia Cadmus

(74) *Attorney, Agent, or Firm*—Jacobson Holman PLLC

(57) **CLAIM**

The ornamental design for a truck side step, as shown and described.

**DESCRIPTION**

FIG. 1 is a perspective view showing my new design for a truck side step, the portion shown in dotted lines forming no part of my design, being for illustrative purposes only;  
 FIG. 2 is a top view thereof;  
 FIG. 3 is a bottom view thereof;  
 FIG. 4 is a right side view thereof;  
 FIG. 5 is a left side view thereof;  
 FIG. 6 is a front view thereof;  
 FIG. 7 is a rear view thereof;  
 FIG. 8 is a top view of an alternate embodiment showing my new design for a truck side step thereof;  
 FIG. 9 is a bottom view thereof;  
 FIG. 10 is a right side view thereof;  
 FIG. 11 is a left side view thereof;  
 FIG. 12 is a front view thereof; and,  
 FIG. 13 is a rear view thereof.

**1 Claim, 5 Drawing Sheets**

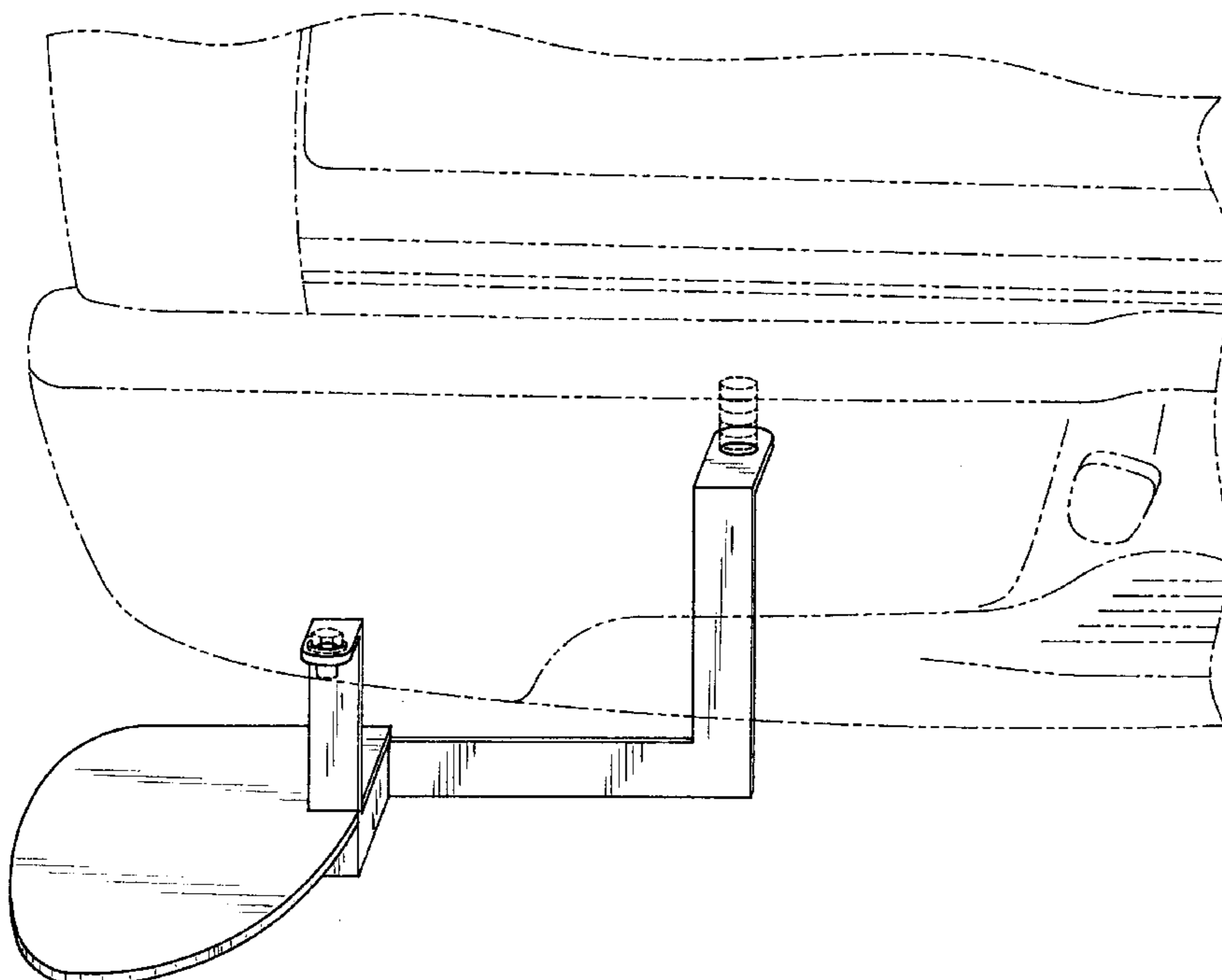


FIG. 1

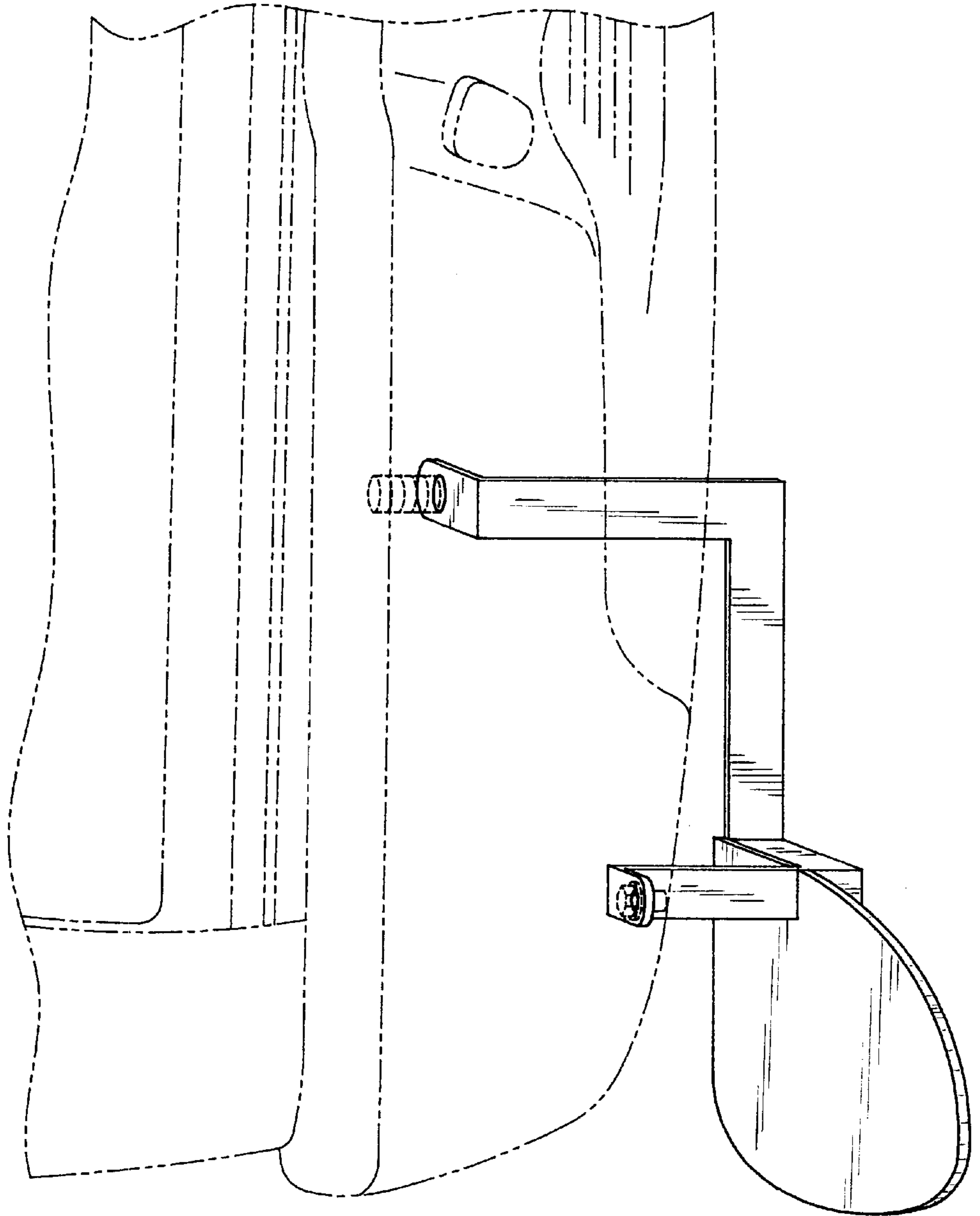


FIG. 2

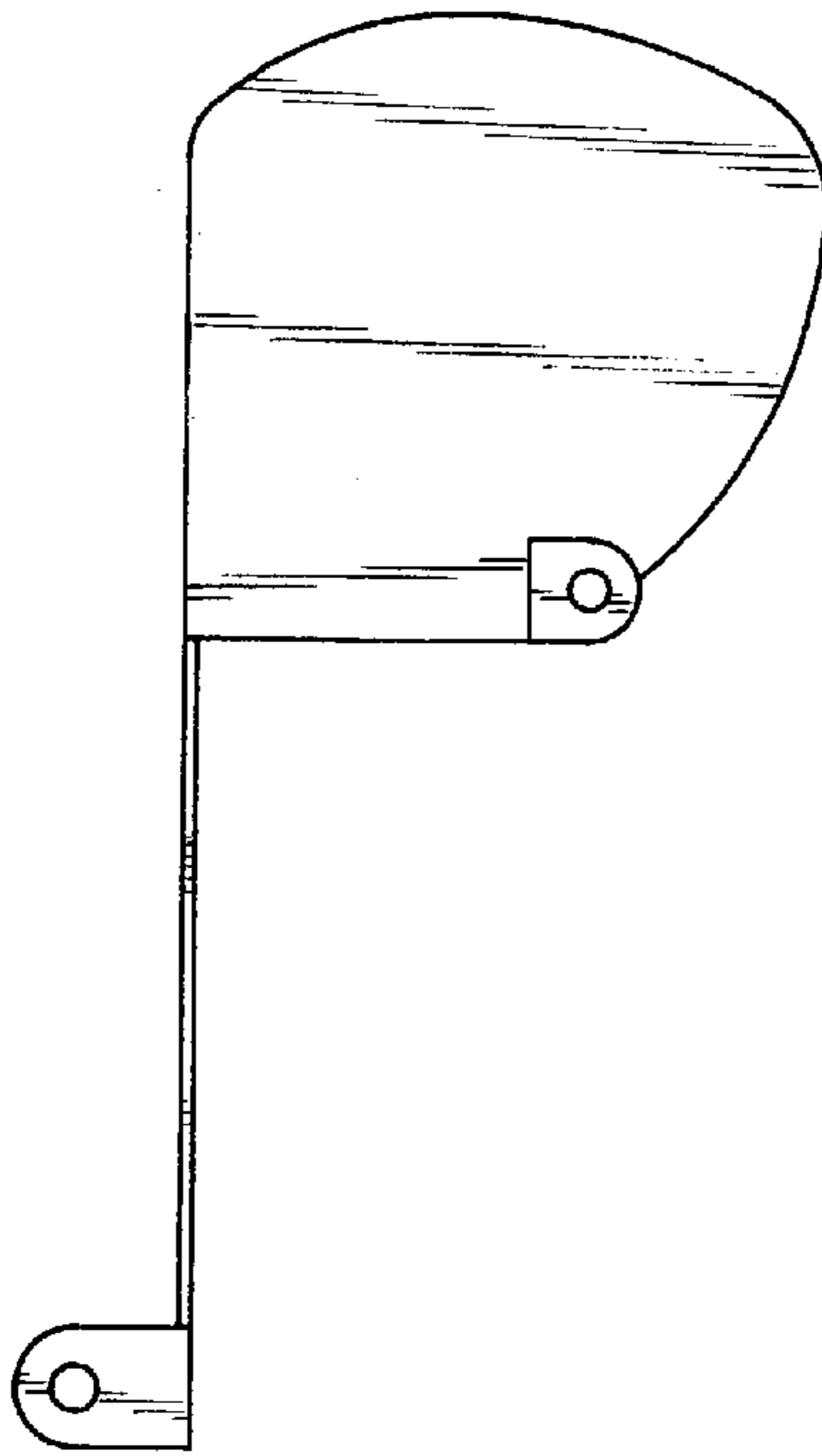


FIG. 3

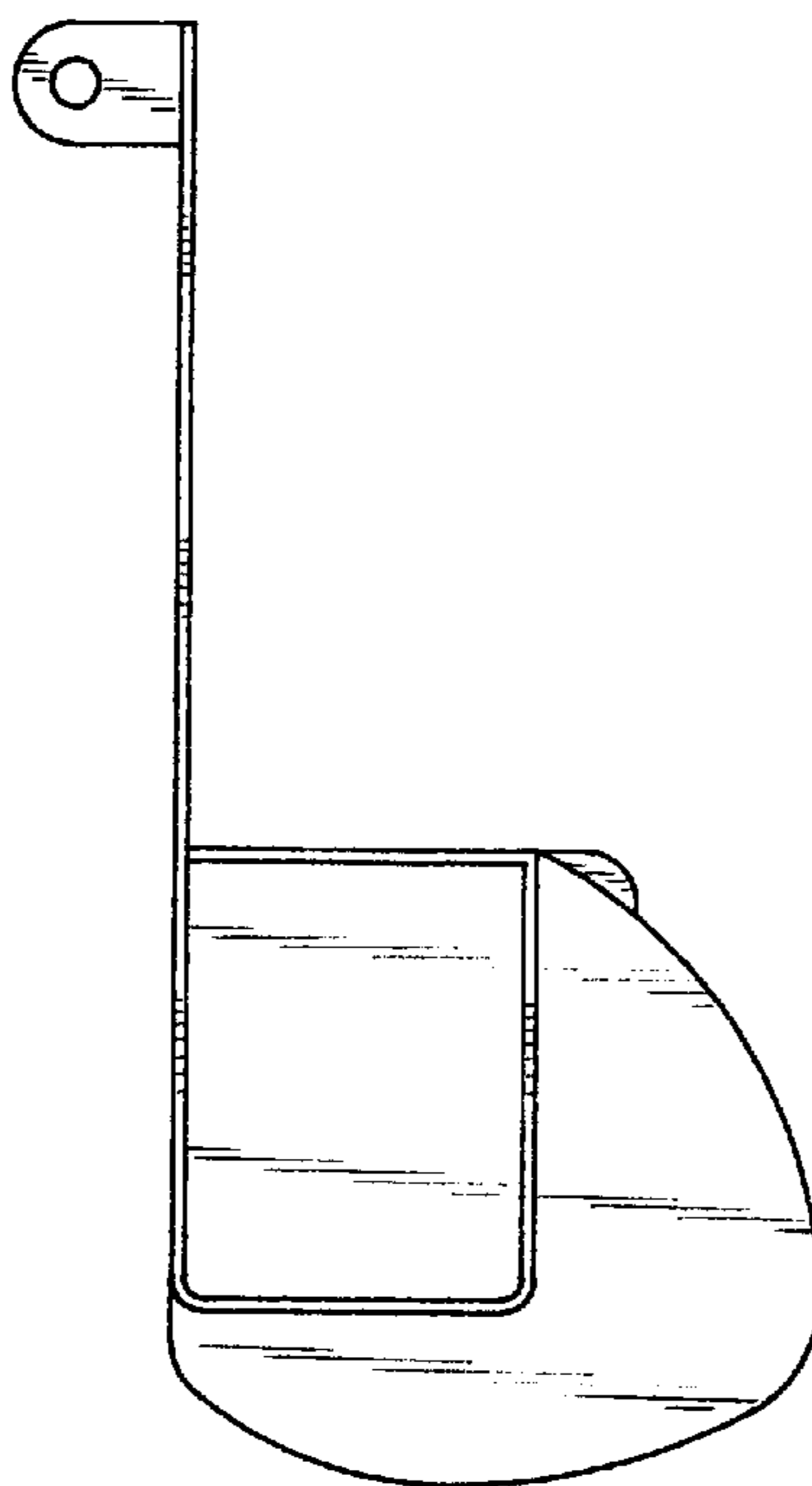


FIG. 4

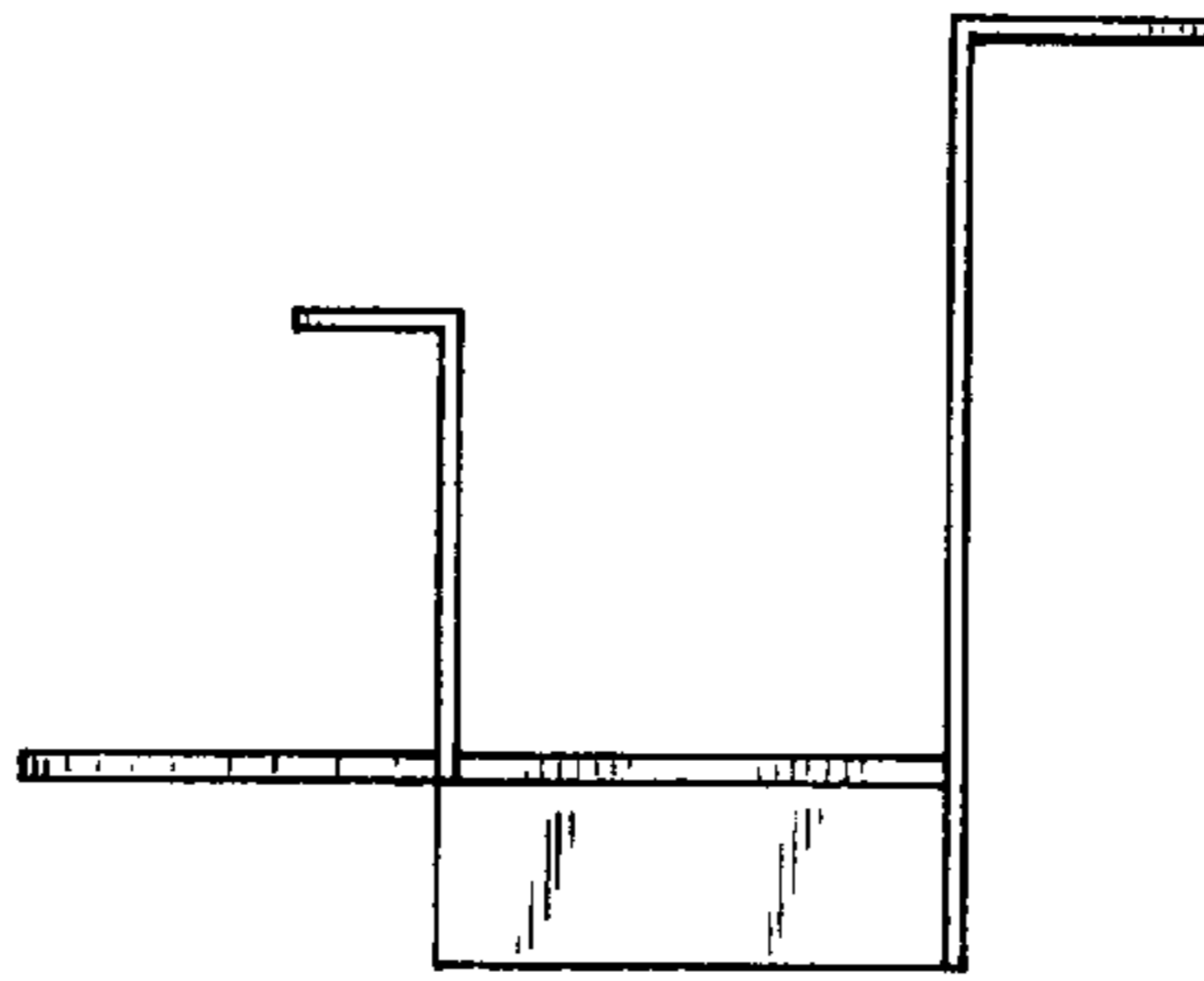


FIG. 5

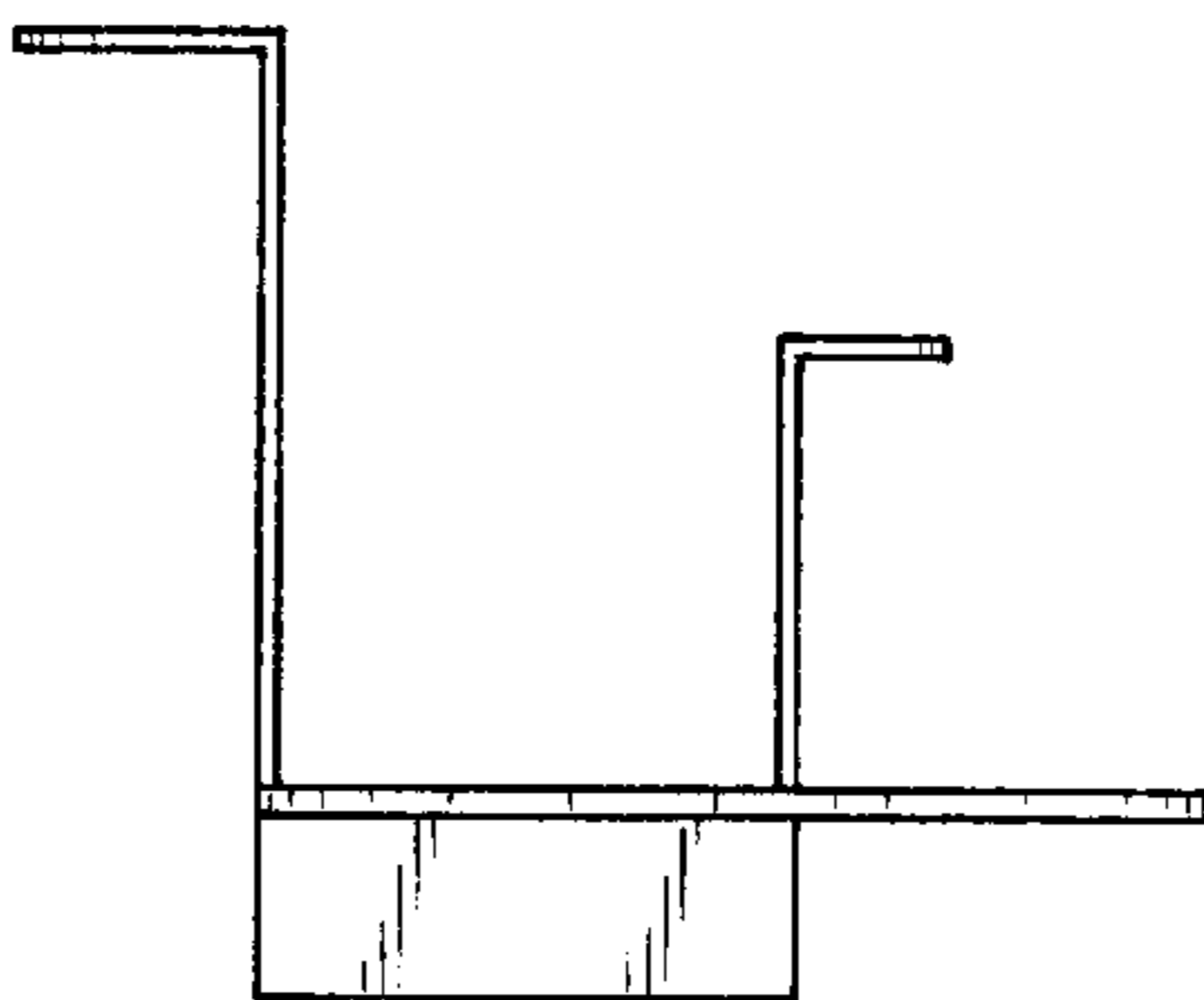


FIG. 6

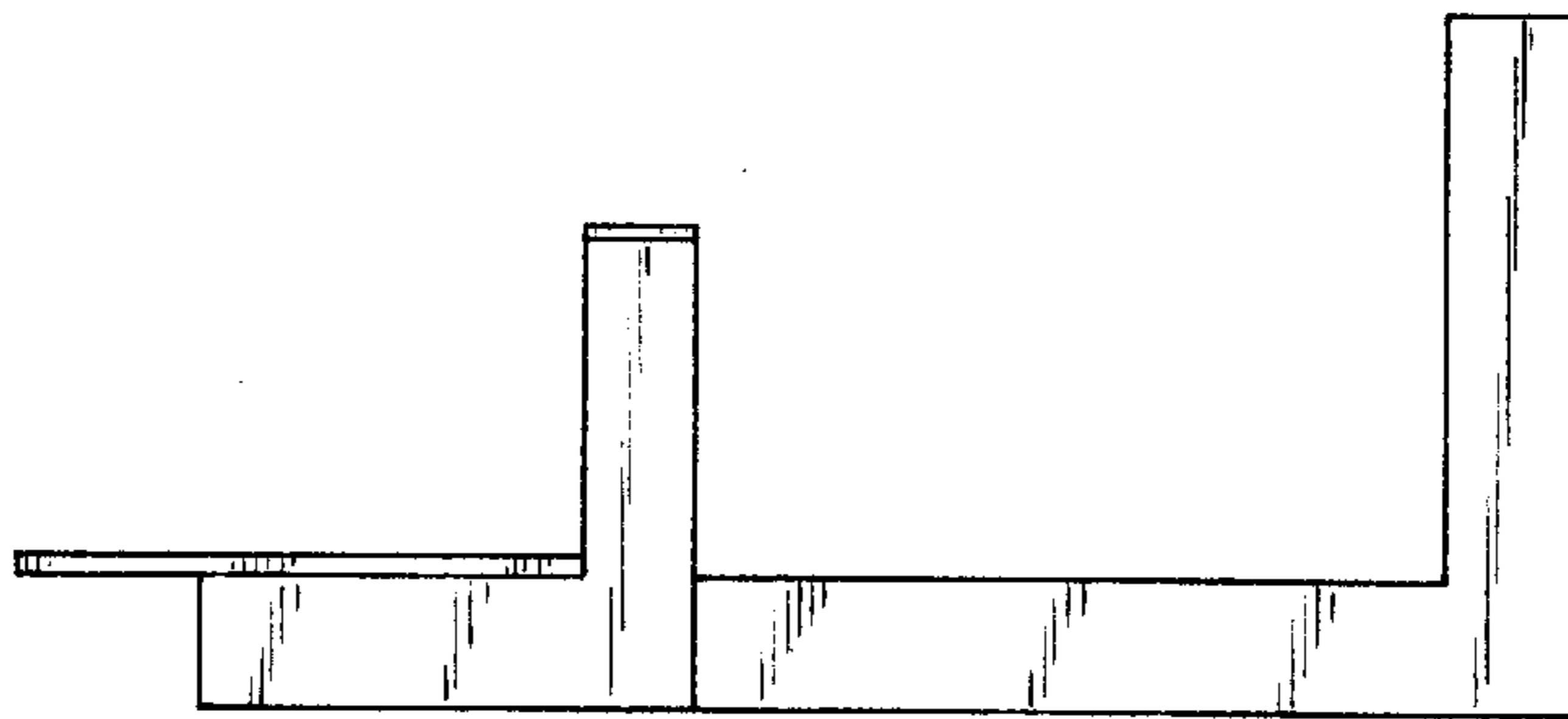


FIG. 7

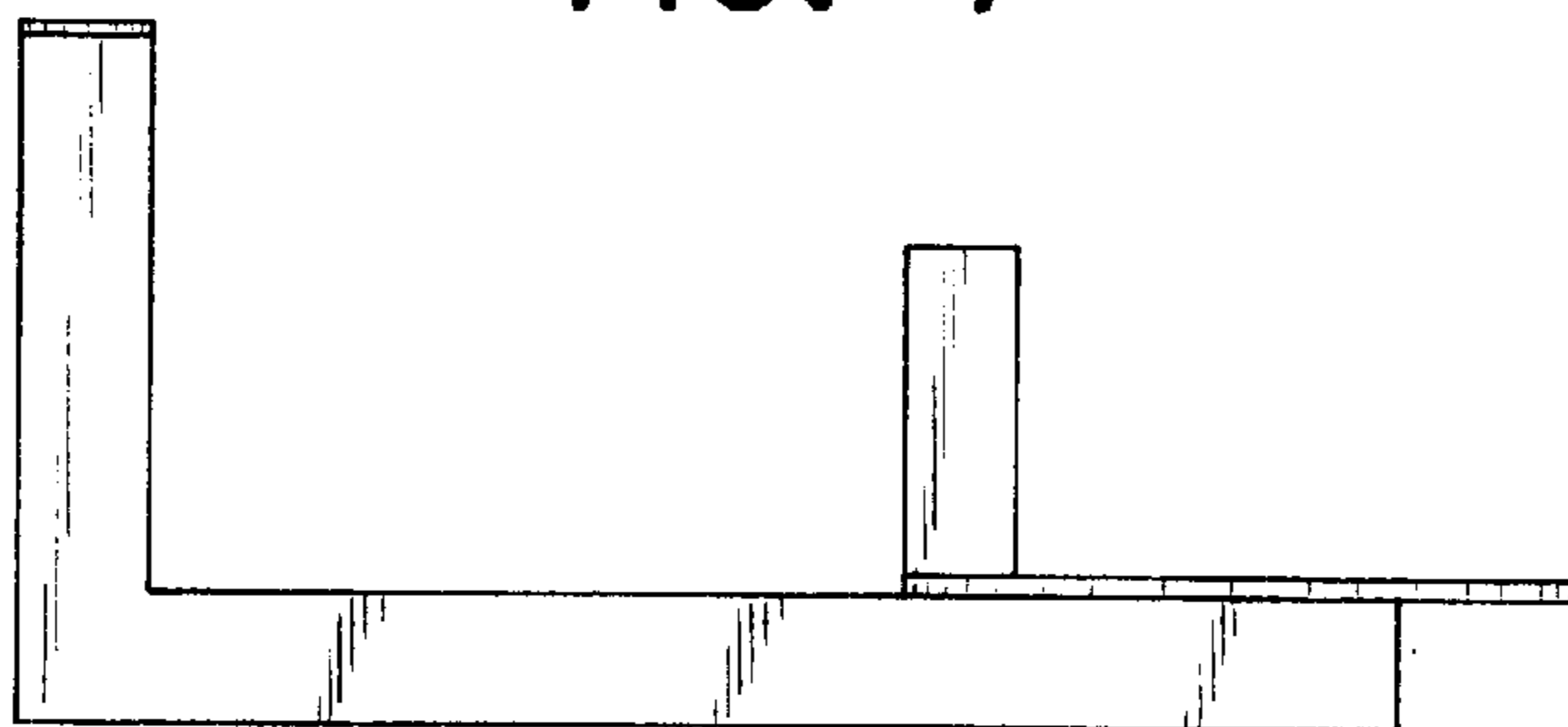


FIG. 8

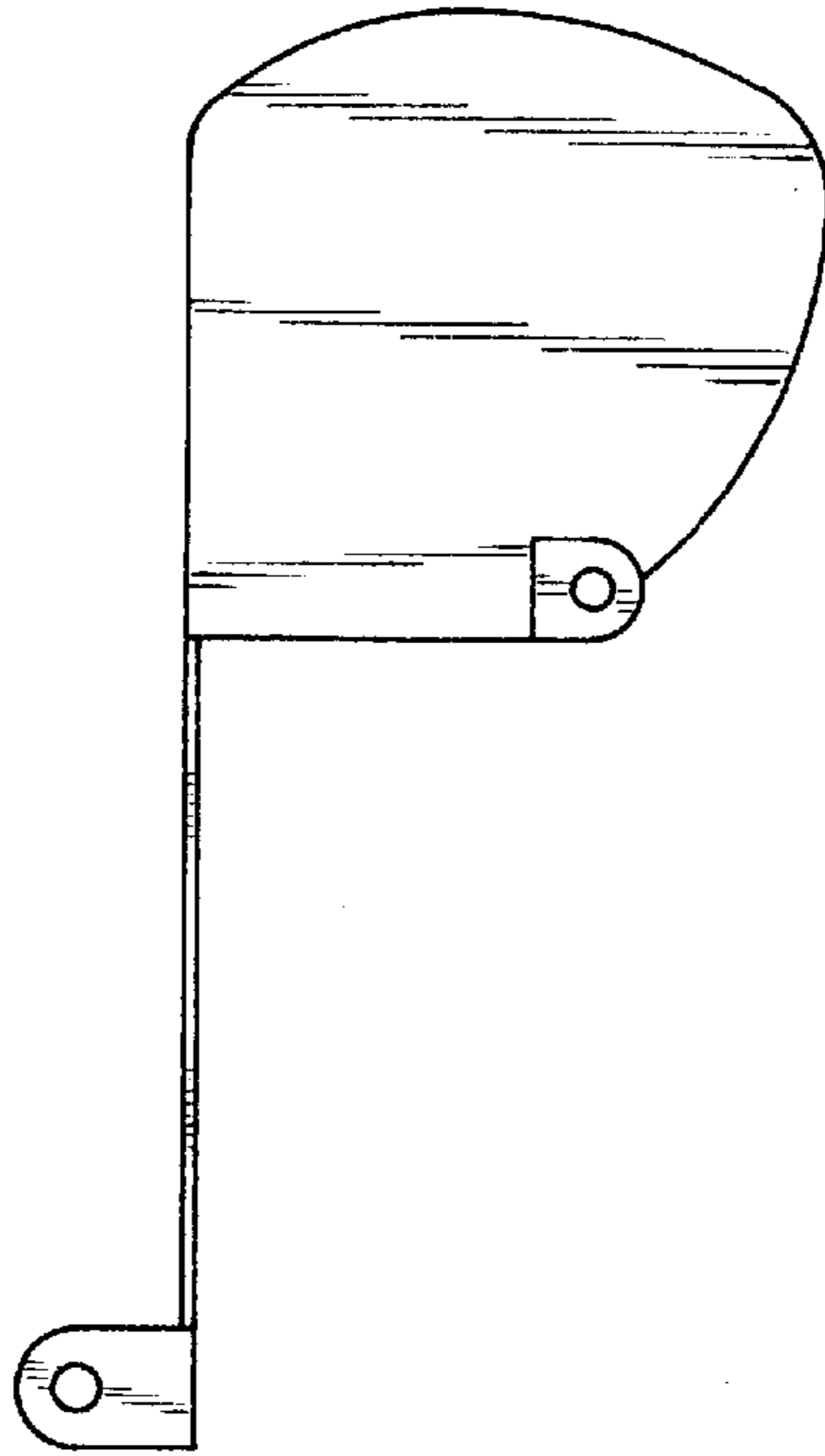


FIG. 9

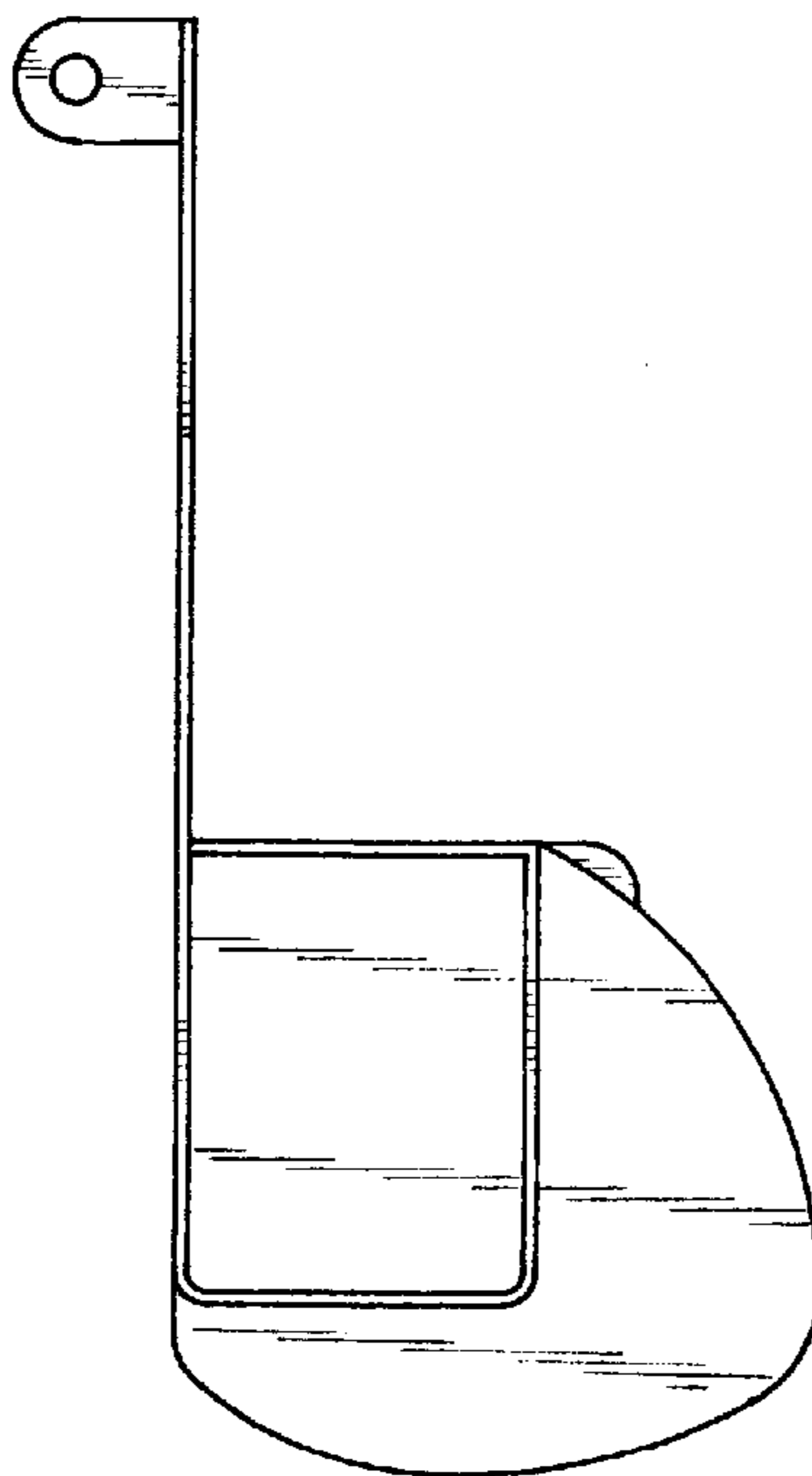


FIG. 10

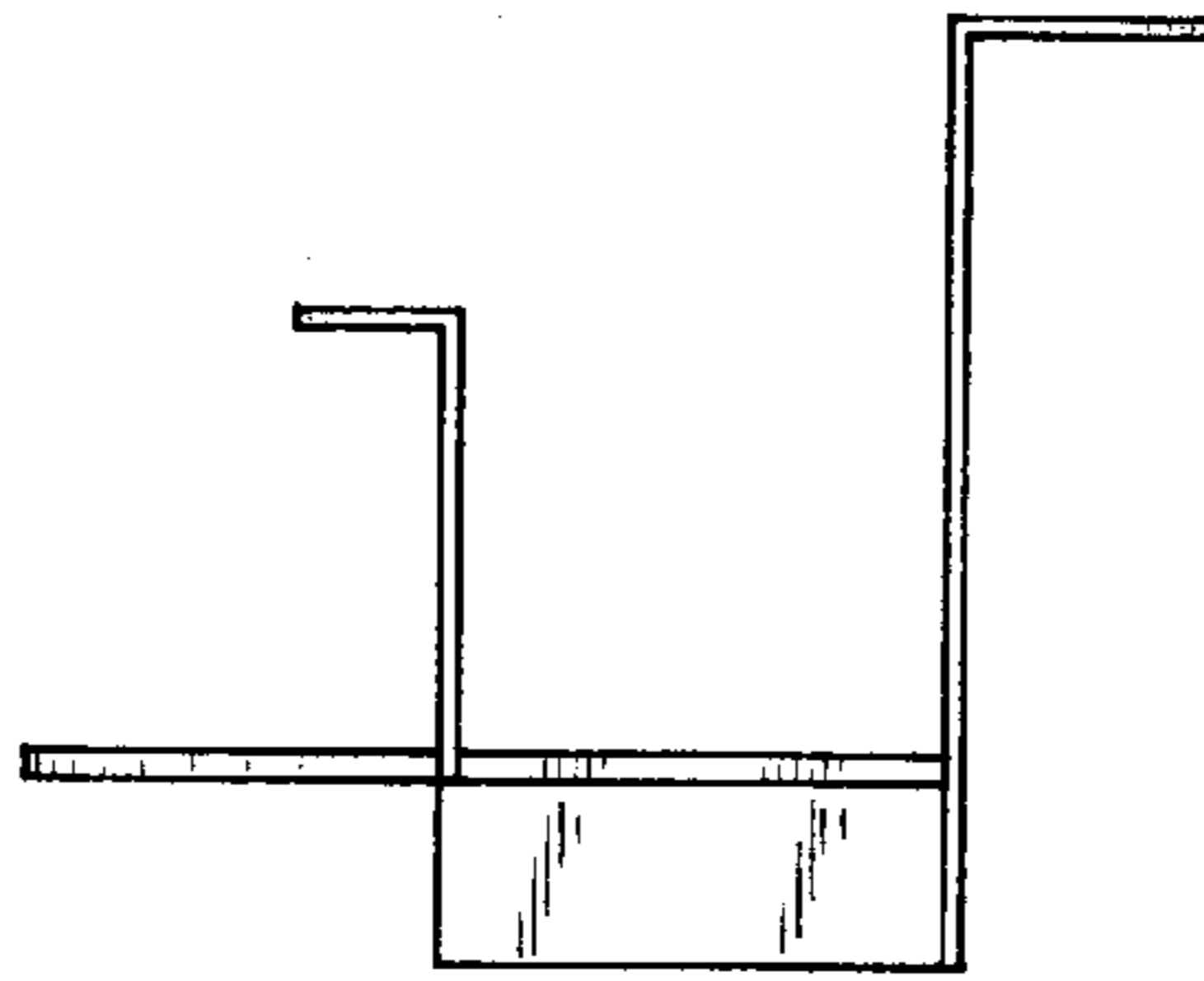


FIG. 11

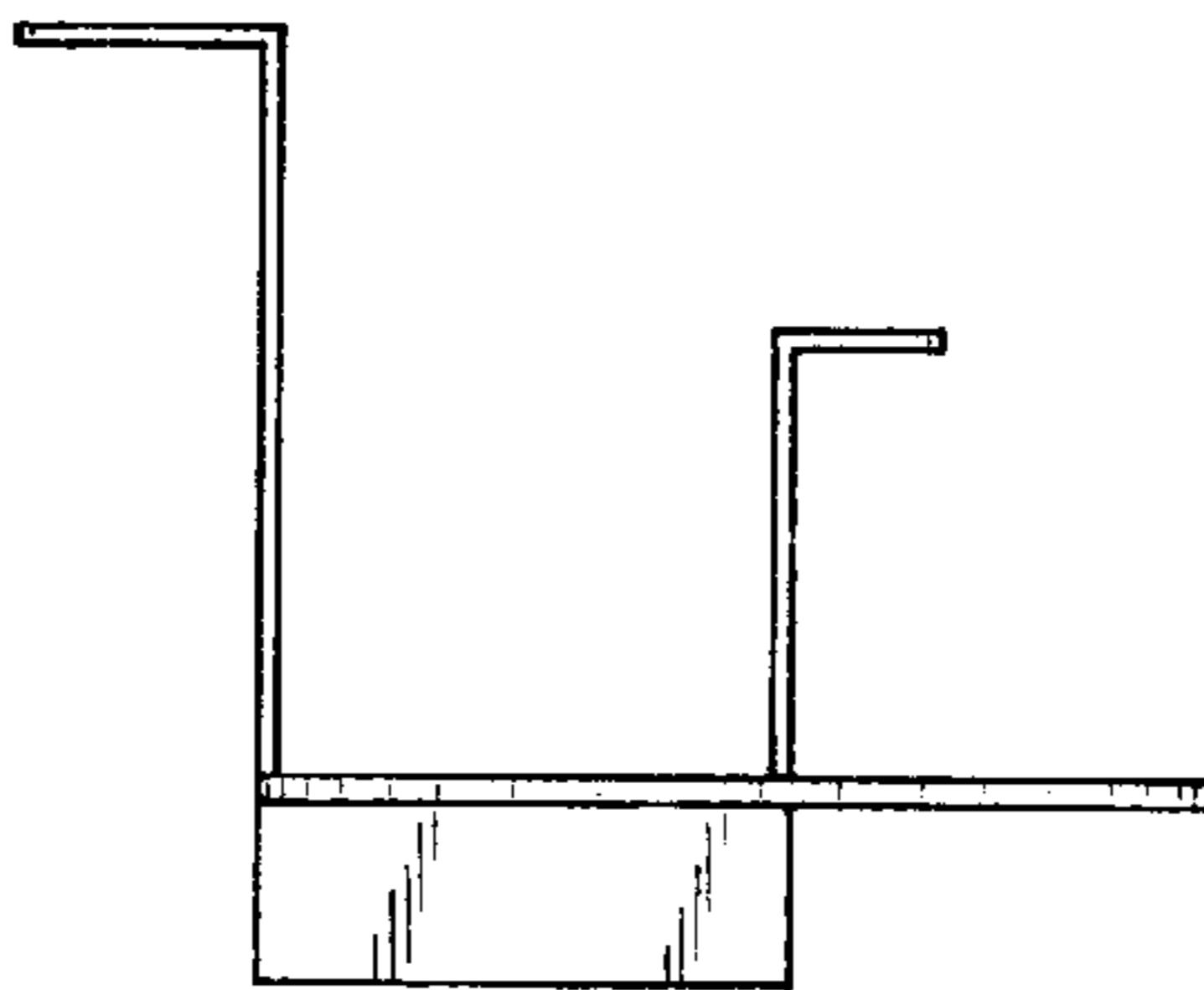


FIG. 12

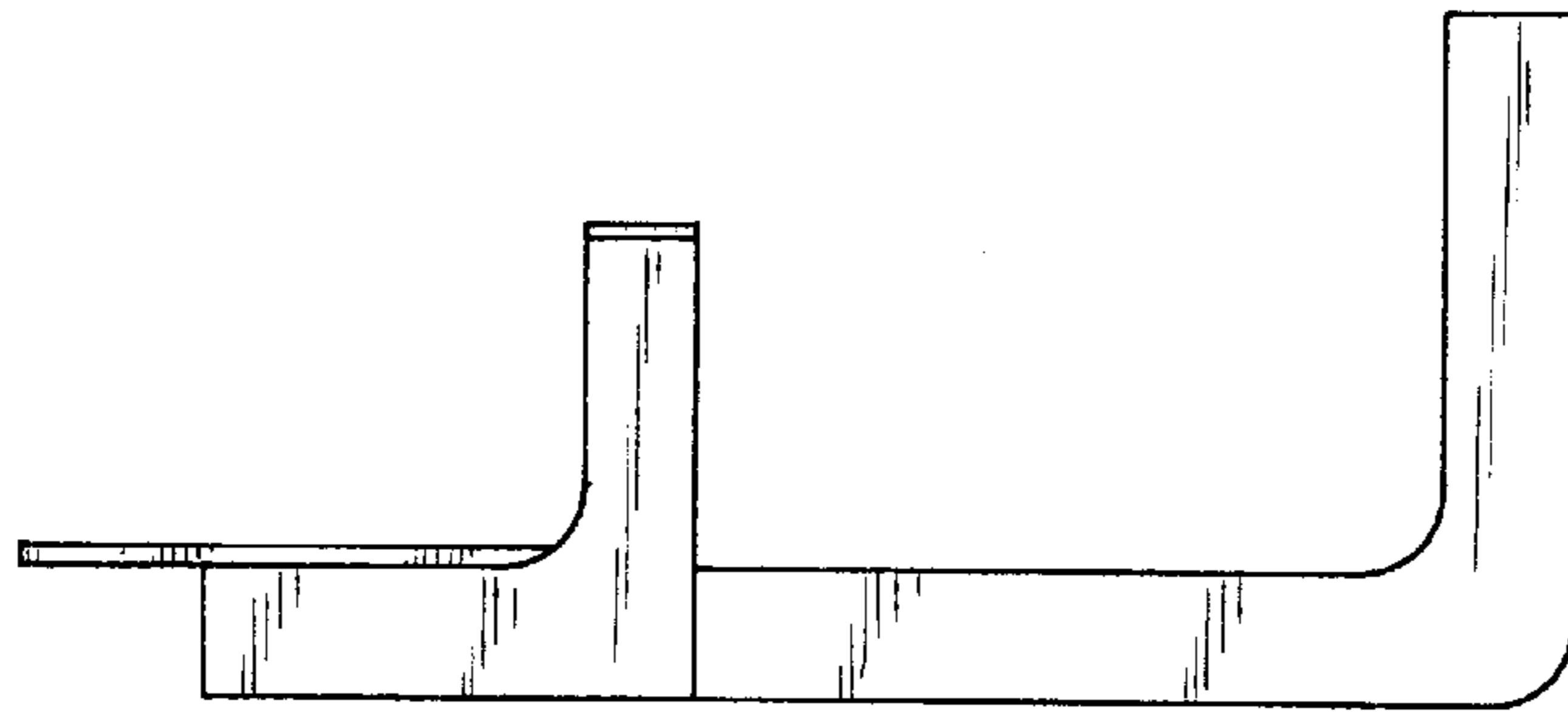


FIG. 13

