



US00D474727S

(12) **United States Design Patent**  
**Scheffert**

(10) **Patent No.:** **US D474,727 S**

(45) **Date of Patent:** **\*\* May 20, 2003**

(54) **TAILGATE**

(76) **Inventor:** **Gary Lynn Scheffert**, 428 Glendale St.,  
Owatonna, MN (US) 55060

(\*\*) **Term:** **14 Years**

(21) **Appl. No.:** **29/164,294**

(22) **Filed:** **Jul. 23, 2002**

(51) **LOC (7) Cl.** ..... **12-16**

(52) **U.S. Cl.** ..... **D12/196**

(58) **Field of Search** ..... D12/196, 98, 93;  
296/57.1, 26, 37.1, 37.6, 3, 50

(56) **References Cited**

**U.S. PATENT DOCUMENTS**

|             |         |                 |
|-------------|---------|-----------------|
| 2,872,239 A | 2/1959  | Bowness         |
| 4,531,773 A | 7/1985  | Smith           |
| 4,909,558 A | 3/1990  | Roshinsky       |
| 4,951,991 A | 8/1990  | Haigle          |
| 5,098,146 A | 3/1992  | Albrecht et al. |
| 5,154,470 A | 10/1992 | Bringman, Jr.   |

|             |           |          |         |
|-------------|-----------|----------|---------|
| 5,468,038 A | 11/1995   | Sauri    |         |
| D397,978 S  | * 9/1998  | Helgeson | D12/196 |
| D413,297 S  | * 8/1999  | Quinn    | D12/196 |
| D415,988 S  | * 11/1999 | Stearns  | D12/196 |

\* cited by examiner

*Primary Examiner*—Melody N. Brown

(74) *Attorney, Agent, or Firm*—R. L. Mikesell

(57) **CLAIM**

The ornamental design for a tailgate, as shown and described.

**DESCRIPTION**

FIG. 1 is a top and right side perspective view of a tailgate showing my new design;

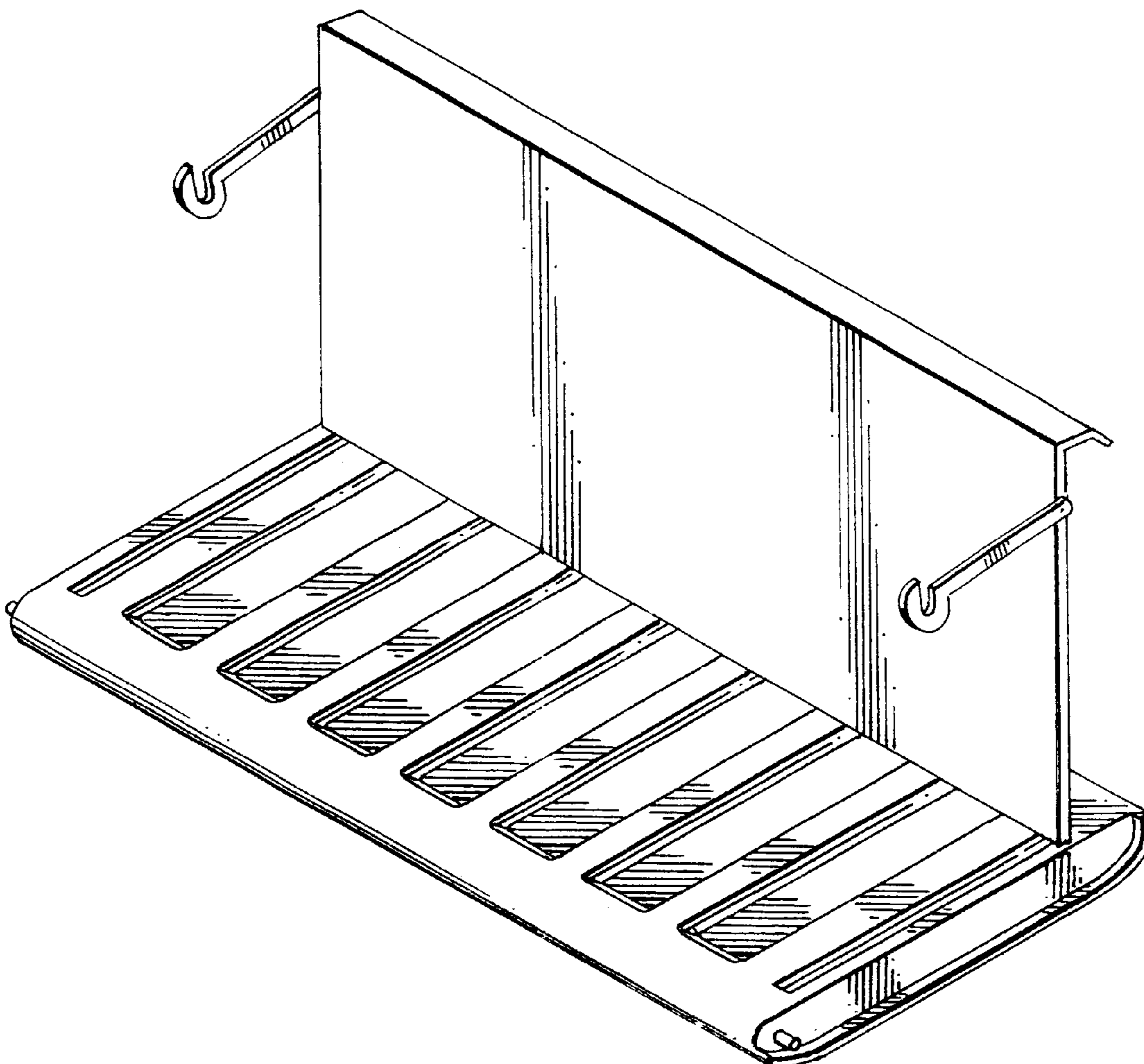
FIG. 2 is a side elevational view thereof;

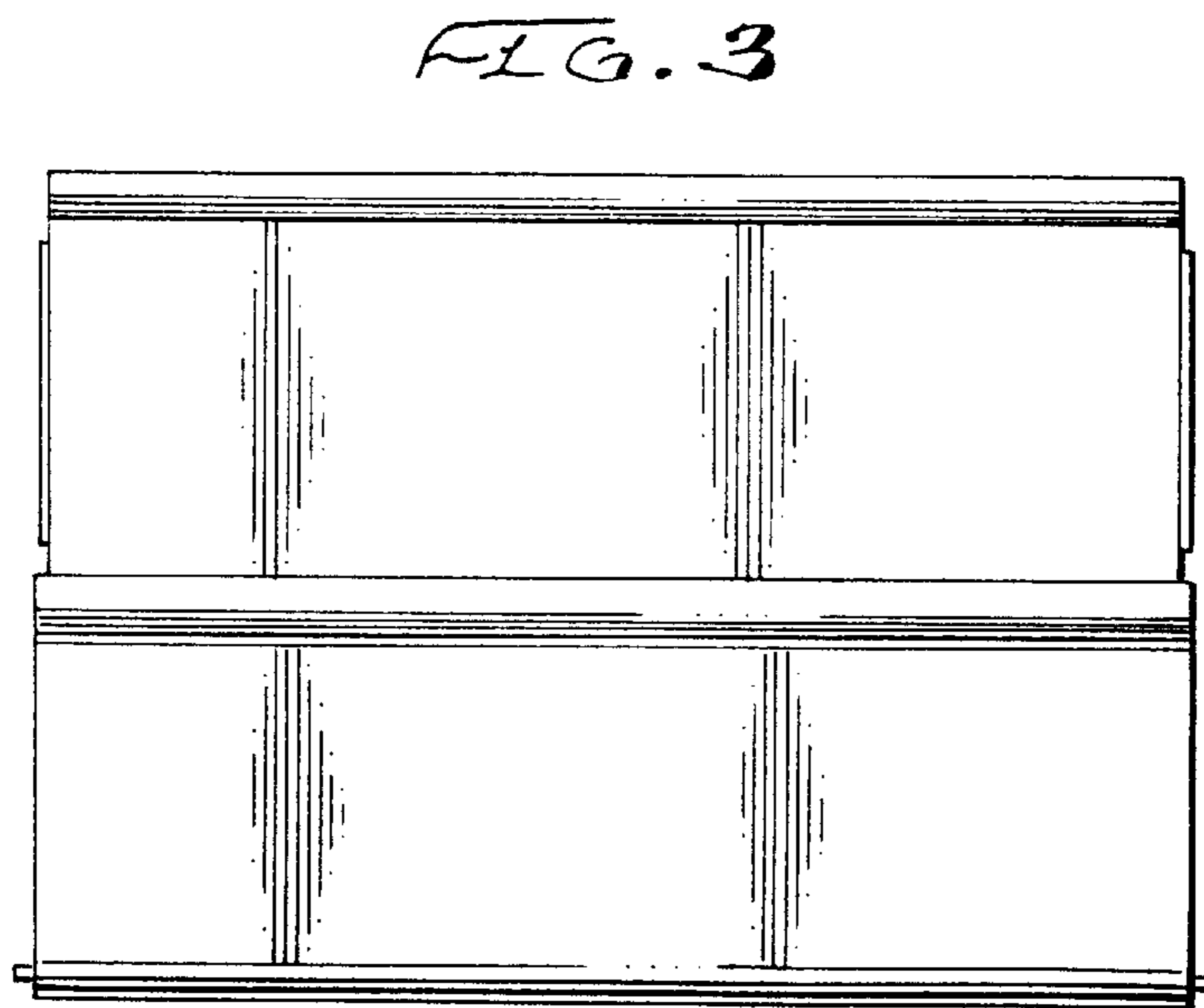
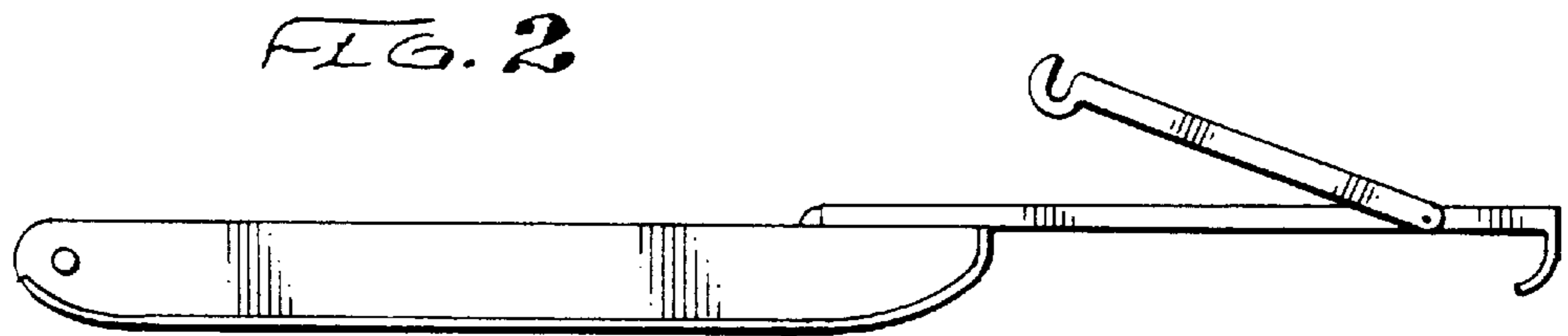
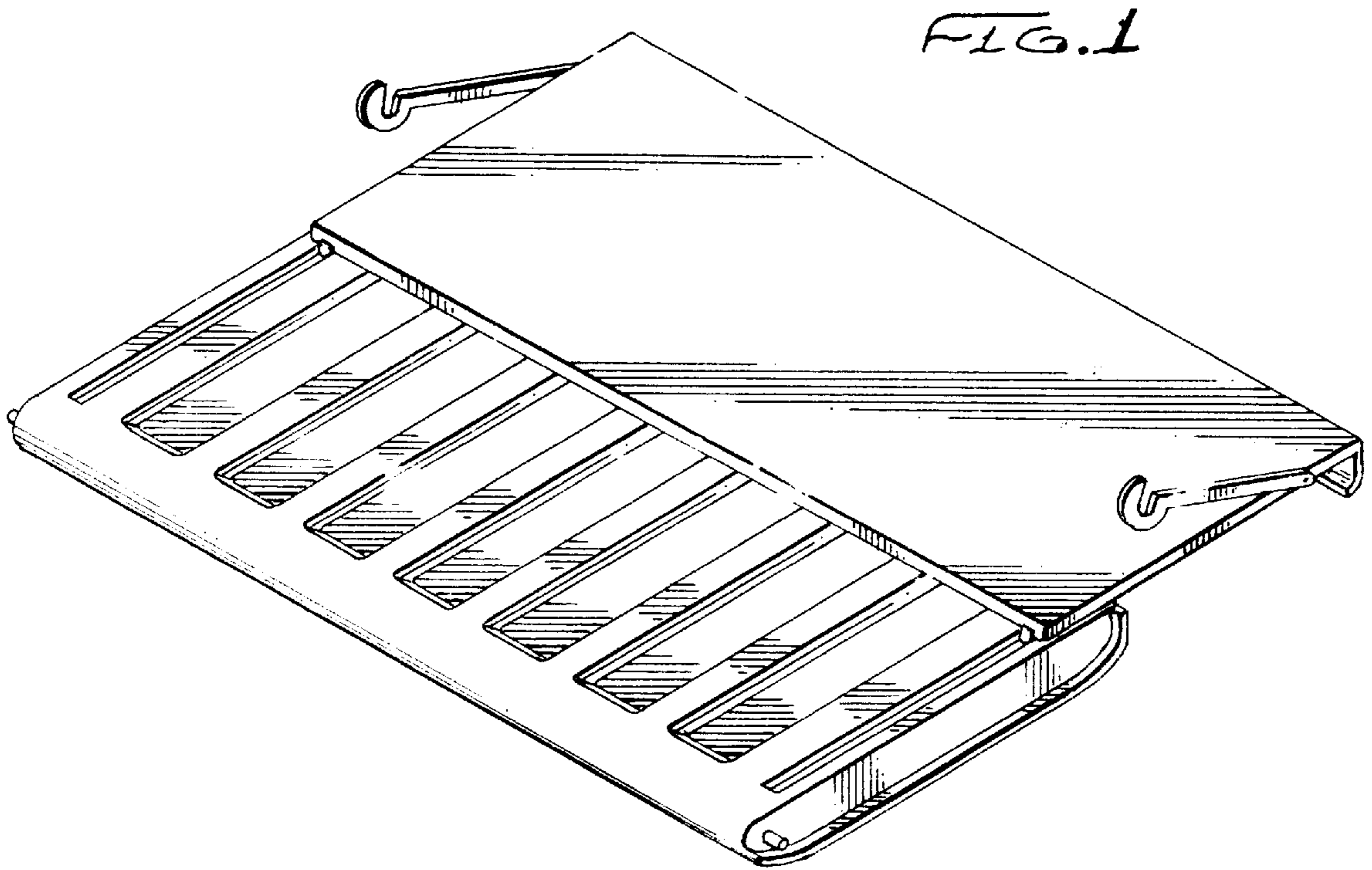
FIG. 3 is a top plan view thereof;

FIG. 4 is a top and right side perspective view thereof with gate in closed position; and,

FIG. 5 is a rear elevational view thereof.

**1 Claim, 2 Drawing Sheets**





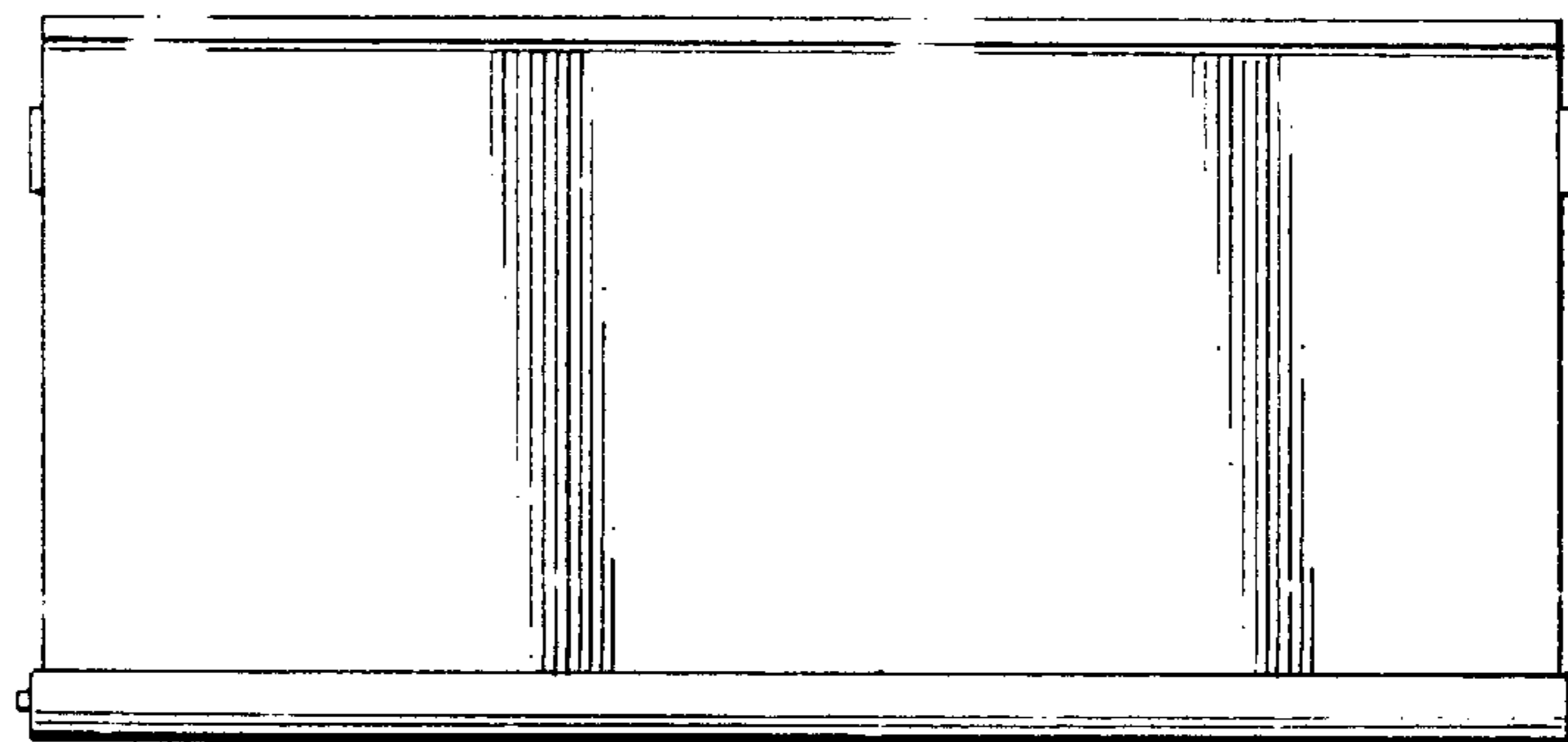
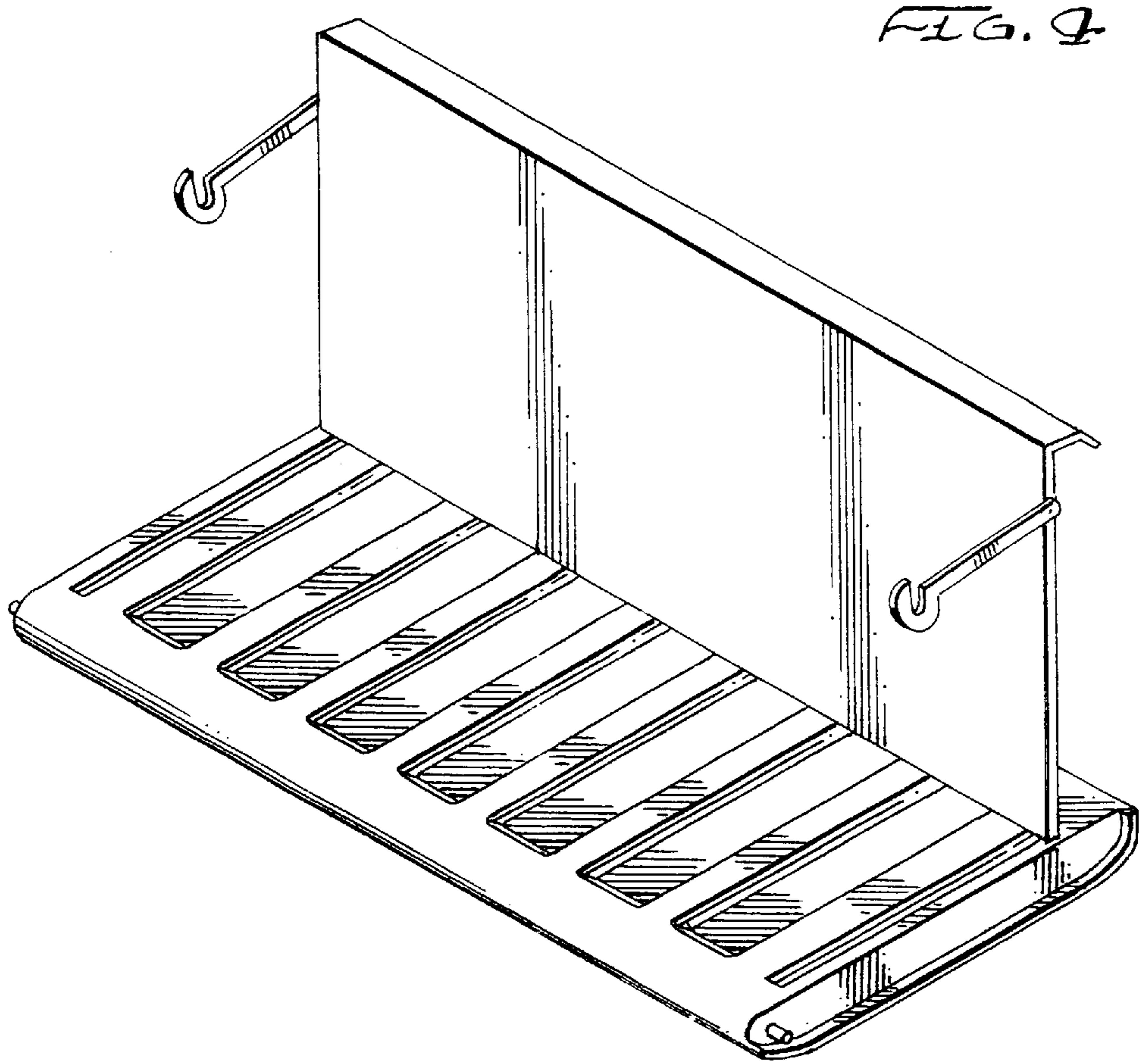


FIG. 5