



US00D474726S

(12) **United States Design Patent**
Weber et al.

(10) **Patent No.:** **US D474,726 S**

(45) **Date of Patent:** **** May 20, 2003**

(54) **SKID PLATE**

(75) Inventors: **Cindy Louise Weber**, Williamsburg, VA (US); **James Heinrich Weitz**, Hoboken, NJ (US); **Alberto Mantilla**, Regal Park, NY (US); **Anthony John Baxter**, New York, NY (US)

(73) Assignee: **Deere & Company**, Moline, IL (US)

(**) Term: **14 Years**

(21) Appl. No.: **29/164,183**

(22) Filed: **Jul. 19, 2002**

(51) **LOC (7) Cl.** **12-16**

(52) **U.S. Cl.** **D12/196; D12/14**

(58) **Field of Search** **D12/196, 14, 15, D12/16, 184, 400, 107, 3; D15/17, 31, 23; 296/57.1, 19**

(56) **References Cited**

U.S. PATENT DOCUMENTS

D343,818 S	2/1994	DeBaal et al.	D12/173
D344,059 S	2/1994	DeBaal et al.	D12/184
D347,614 S	6/1994	DeBaal et al.	D12/184
D352,723 S	11/1994	DeBaal et al.	D15/31
D365,578 S	12/1995	Westimayer et al.	D15/31
5,509,710 A	4/1996	Eavenson, Sr. et al.	296/19
D374,416 S	* 10/1996	Miyamoto et al.	D12/107
D382,279 S	8/1997	Goebert et al.	D15/31

D409,544 S	5/1999	Voss et al.	D12/196
D411,210 S	6/1999	Goebert et al.	D15/31
5,997,067 A	12/1999	Shambeau et al.	296/57.1
D421,935 S	* 3/2000	Fujieda	D12/107
D427,110 S	* 6/2000	Saito et al.	D12/107
D447,491 S	9/2001	Goebert et al.	D15/17
D452,835 S	* 1/2002	Aoki et al.	D12/107
D456,822 S	5/2002	Westimayer et al.	D15/31
D458,562 S	* 6/2002	Kalhok et al.	D12/107

* cited by examiner

Primary Examiner—Melody N. Brown

(57) **CLAIM**

The ornamental design for a skid plate, as shown and described.

DESCRIPTION

FIG. 1 is a front right elevated perspective view of a skid plate showing our new design, the broken line showings of the vehicle being for illustrative purposes only, and forming no part of the claimed design.

FIG. 2 is a right front elevated perspective view of the skid plate design of FIG. 1.

FIG. 3 is a top plan view of the skid plate design of FIG. 1.

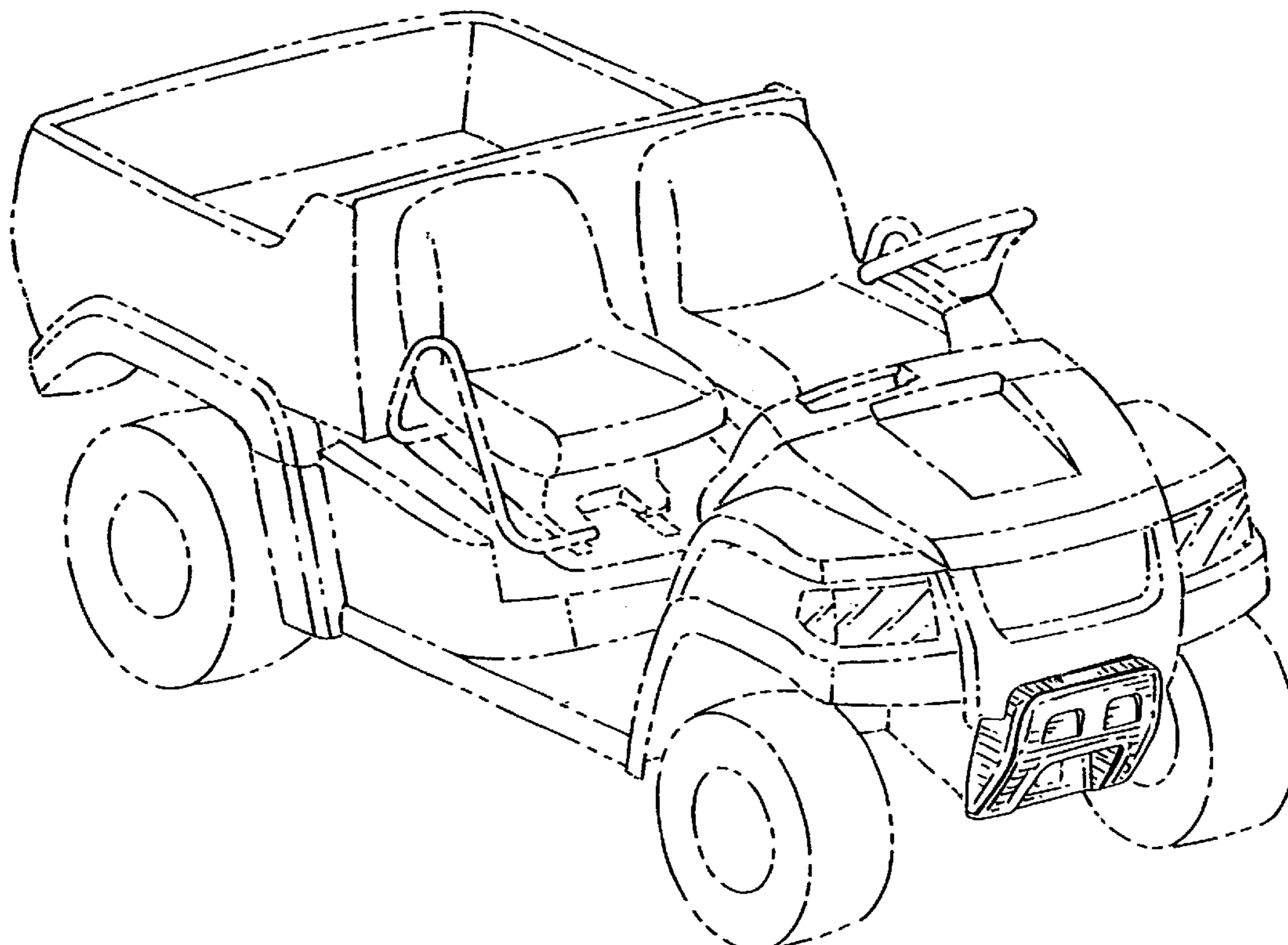
FIG. 4 is a front view of the skid plate design of FIG. 1.

FIG. 5 is a bottom view of the skid plate design of FIG. 1.

FIG. 6 is a right side view of the skid plate design of FIG. 1; and,

FIG. 7 is a left side view of the skid plate design of FIG. 1.

1 Claim, 2 Drawing Sheets



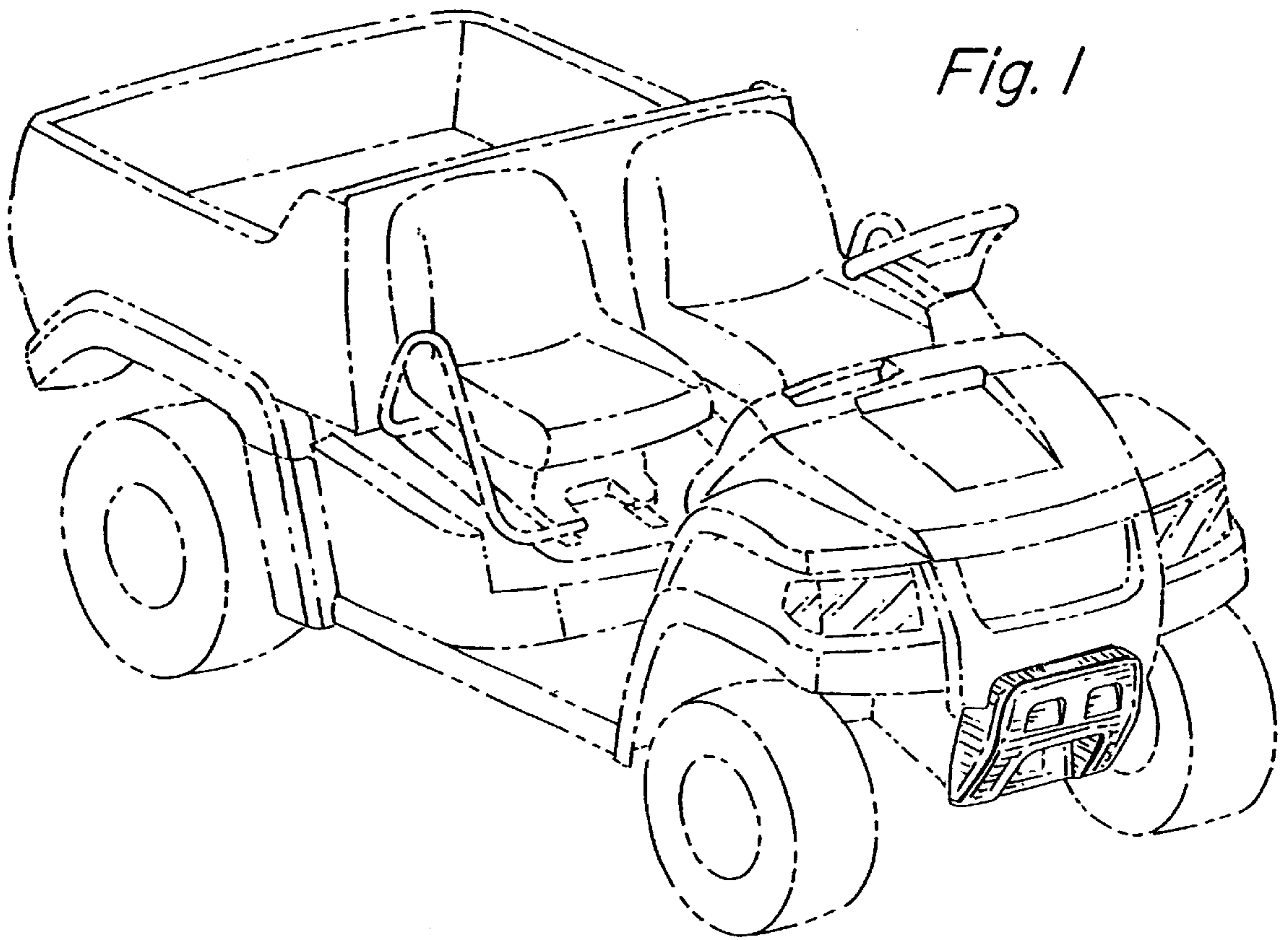


Fig. 1

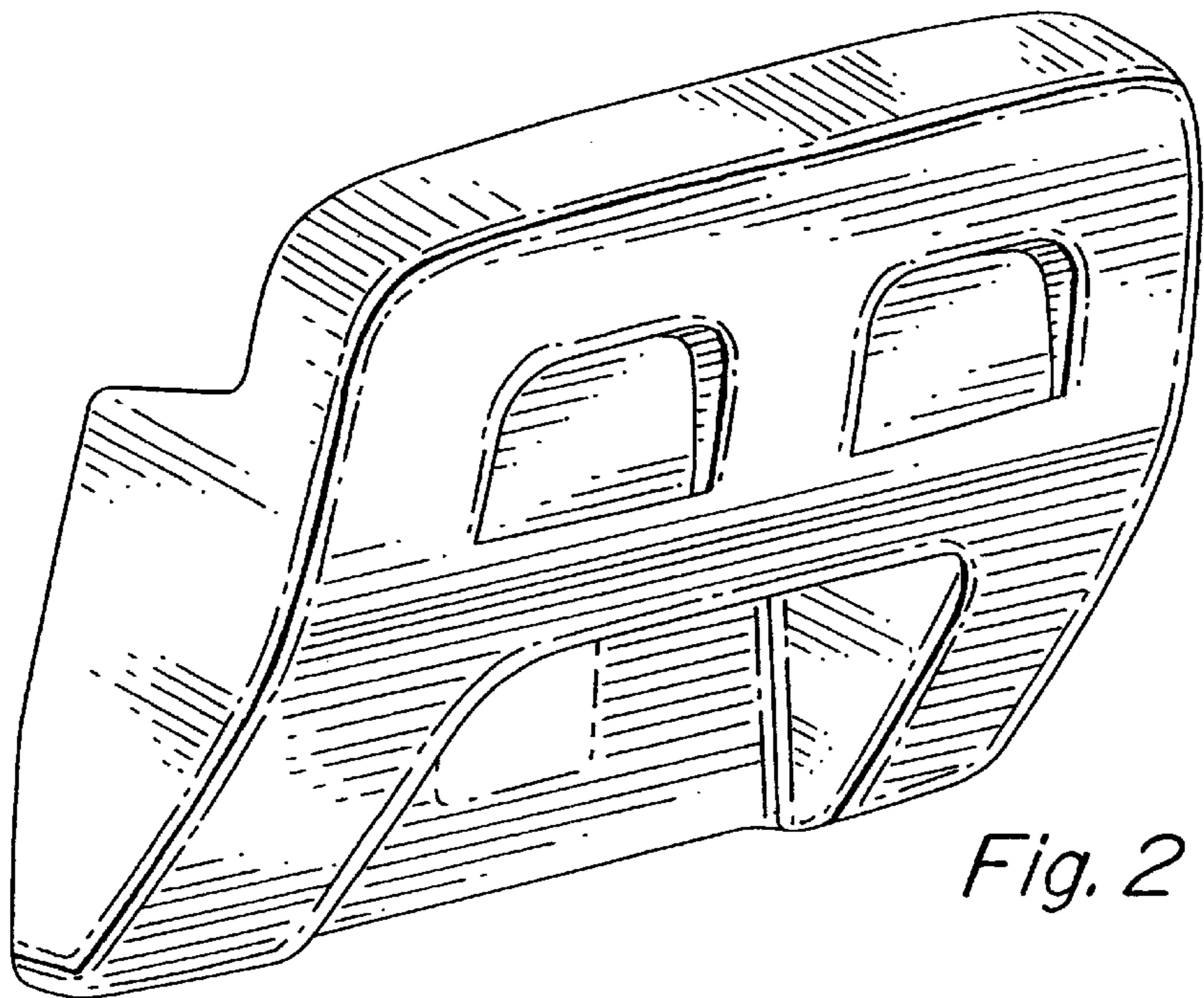


Fig. 2

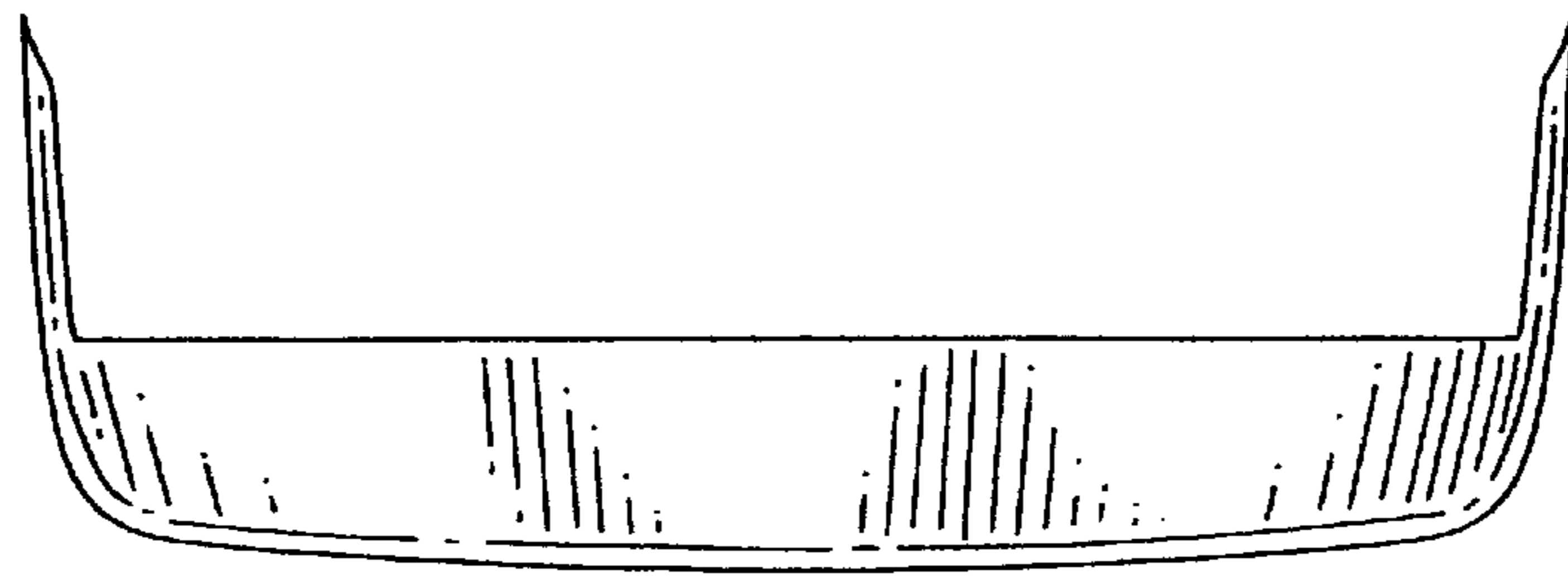


Fig. 3

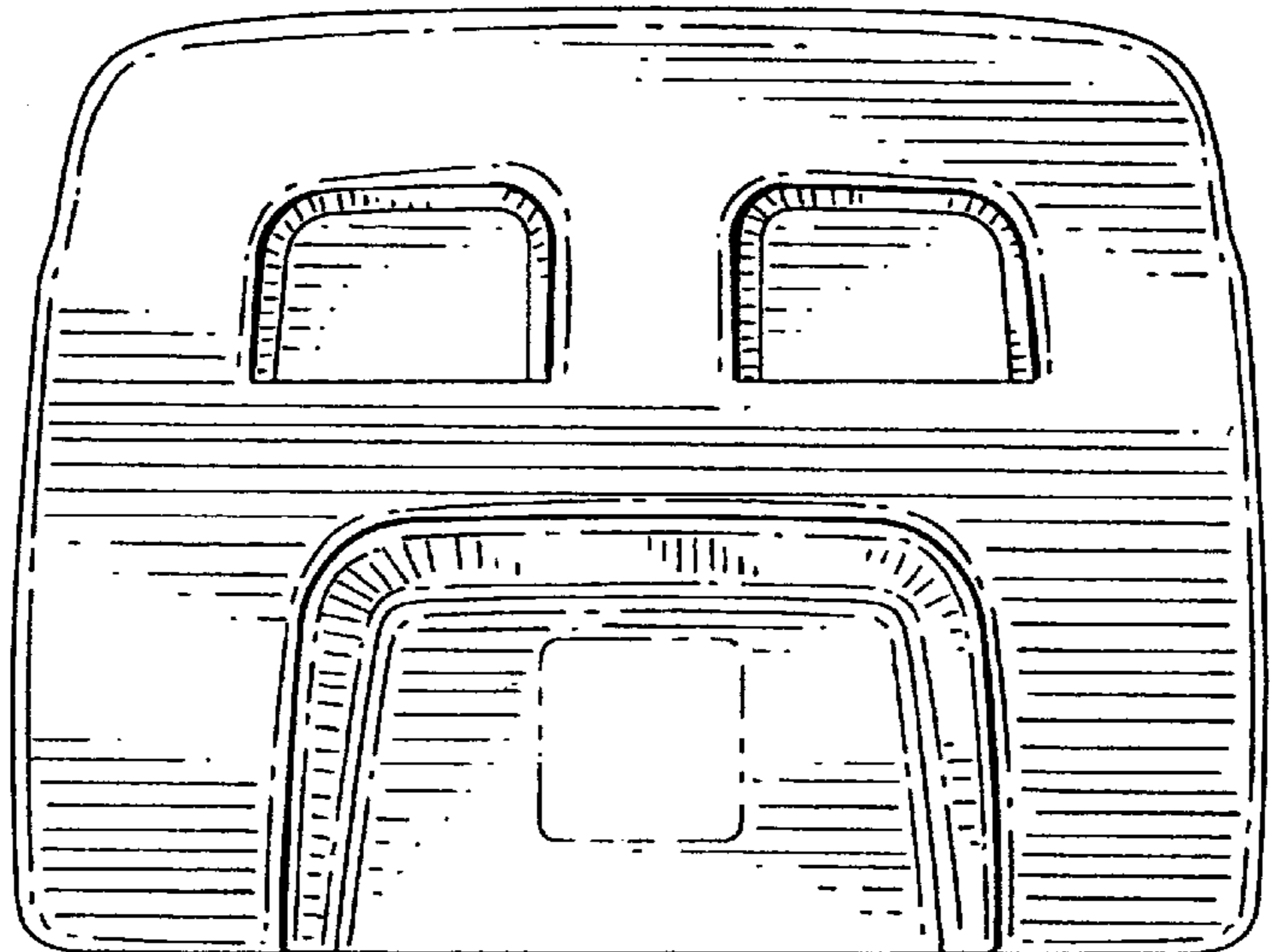


Fig. 4

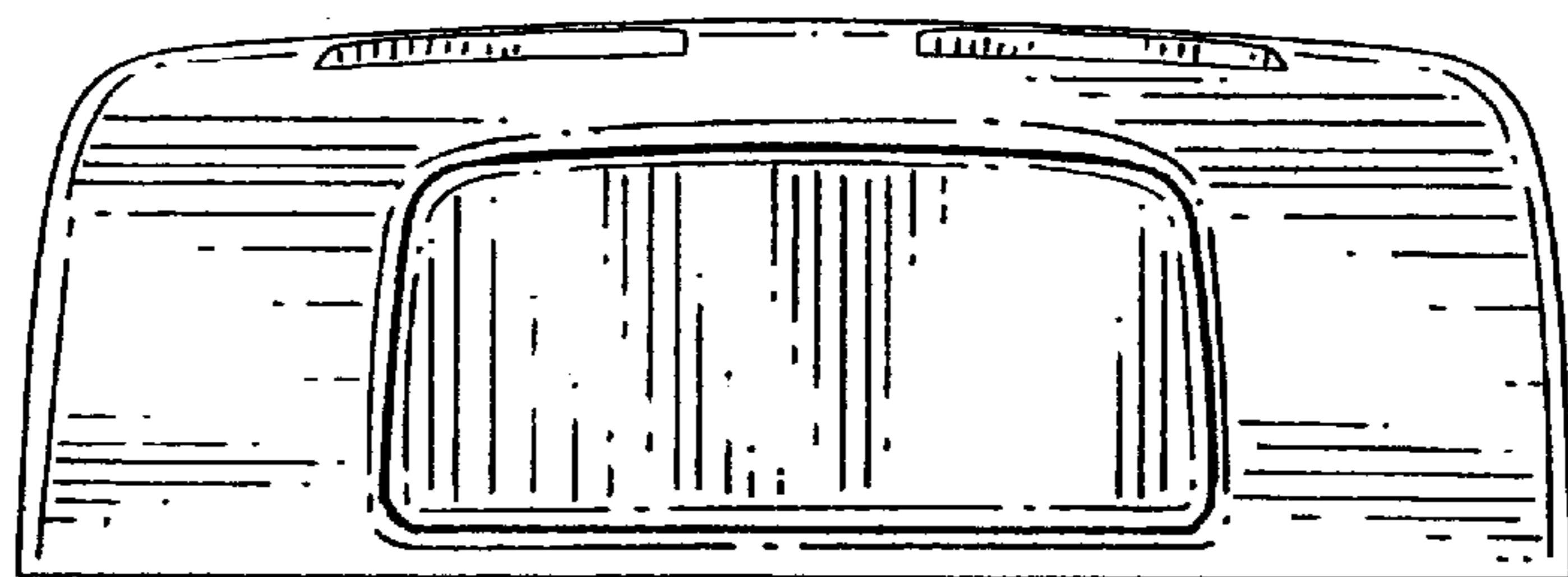


Fig. 5

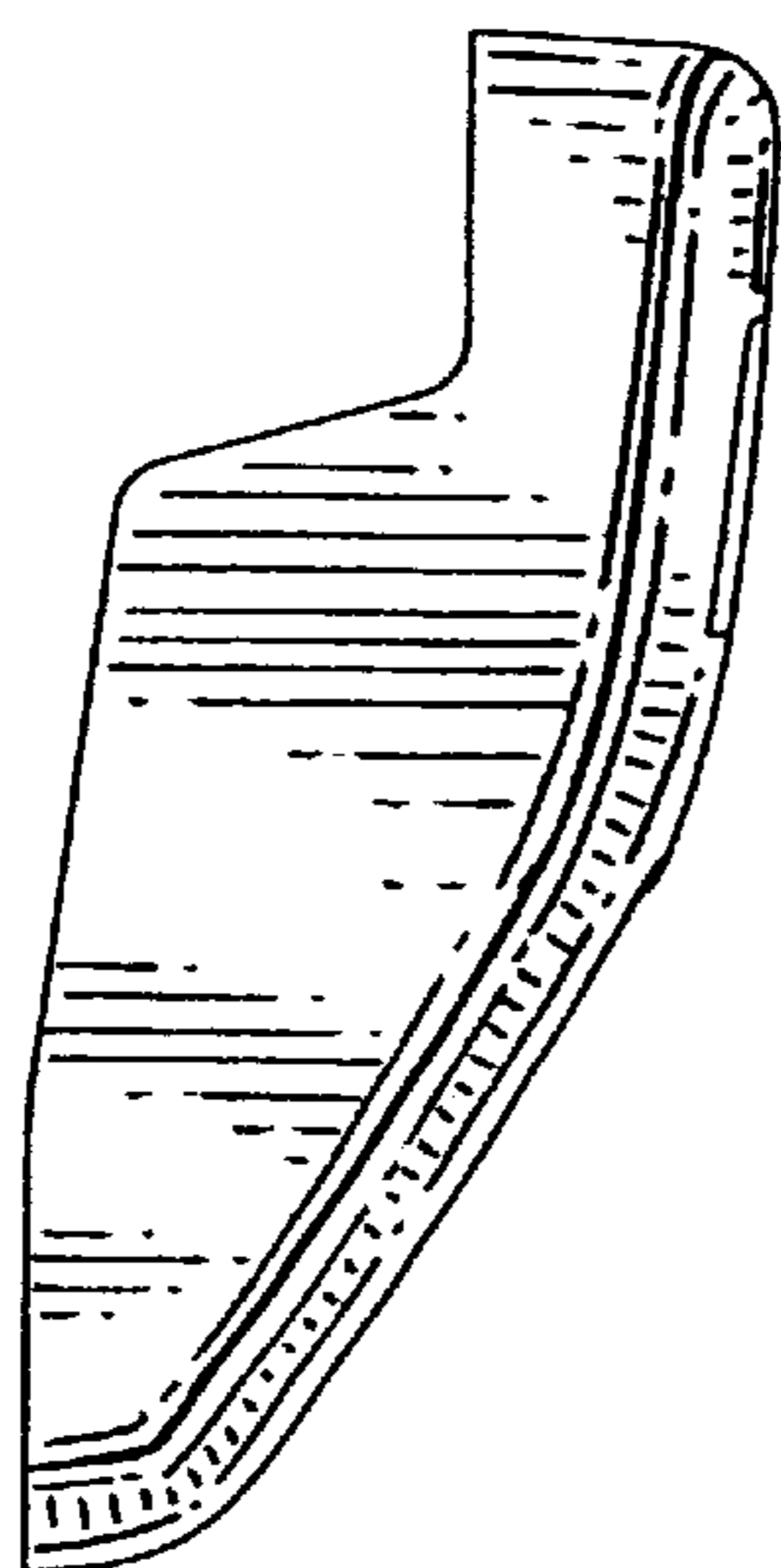


Fig. 6

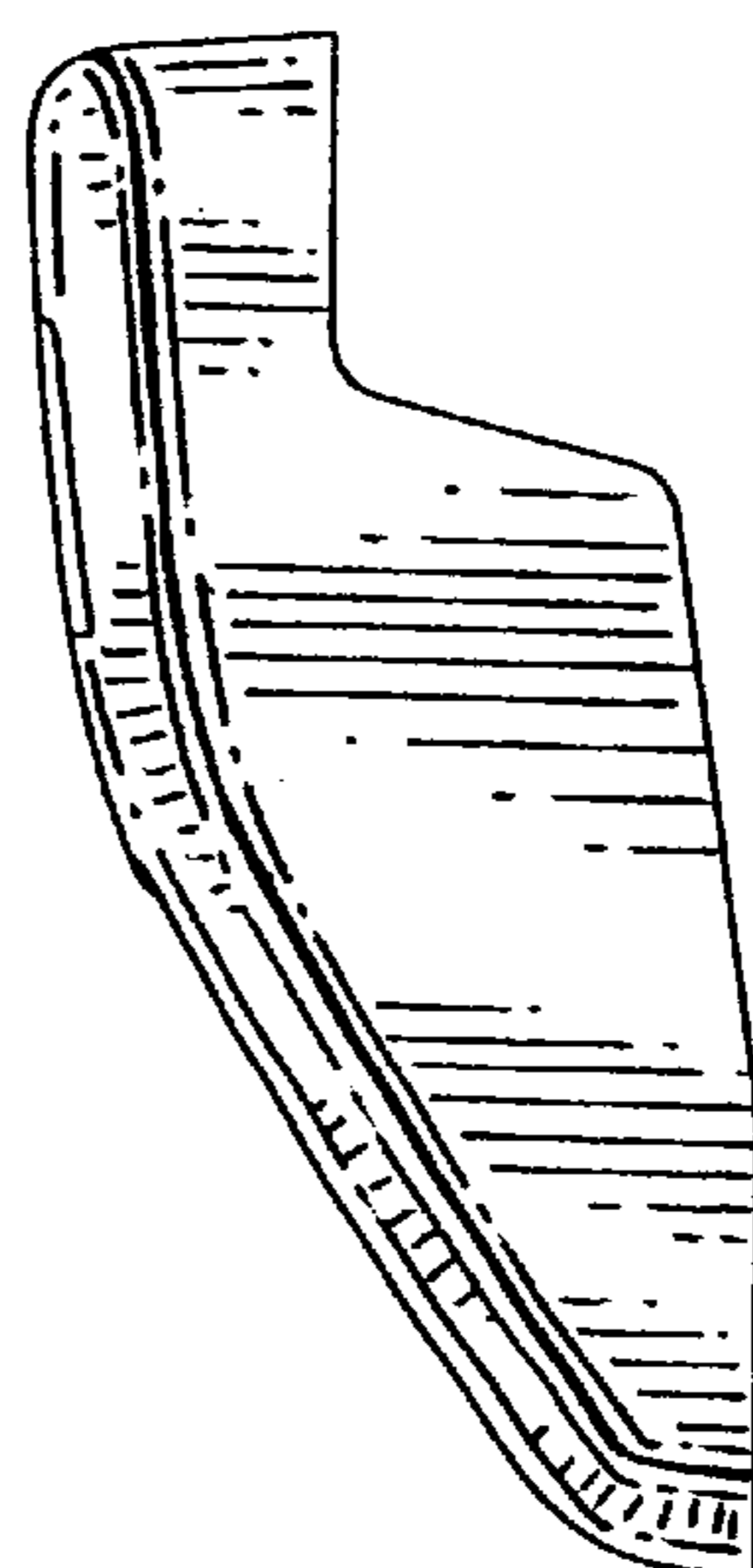


Fig. 7