



US00D474719S

(12) **United States Design Patent**  
**Mayer et al.**

(10) **Patent No.:** **US D474,719 S**

(45) **Date of Patent:** **\*\* May 20, 2003**

(54) **MOBILITY VEHICLE**

D460,028 S \* 7/2002 Wu et al. .... D12/128

(75) Inventors: **Richard A. Mayer**, Saugas, CA (US);  
**Devin S. Bank**, Los Angeles, CA (US);  
**Larry N. Pizzi**, Santa Monica, CA (US)

\* cited by examiner

*Primary Examiner*—Marcus A. Jackson  
(74) *Attorney, Agent, or Firm*—Jack C. Munro

(73) Assignee: **Med-Electric, Inc.**, Van Nuys, CA (US)

(57) **CLAIM**

(\*\*) Term: **14 Years**

The ornamental design for mobility vehicle, as shown and described.

(21) Appl. No.: **29/164,146**

(22) Filed: **Jul. 17, 2002**

**DESCRIPTION**

(51) **LOC (7) Cl.** ..... **12-12**

(52) **U.S. Cl.** ..... **D12/131**

(58) **Field of Search** ..... D12/128-133;  
280/250.1, 304.1; 180/6.5, 65.1, 907, 908;  
297/DIG. 4

FIG. 1 is a front perspective view of the mobility vehicle of the present invention;

FIG. 2 is a front elevational view thereof;

FIG. 3 is a rear elevational view thereof;

FIG. 4 is a right side view thereof; and,

FIG. 5 is a top plan view thereof.

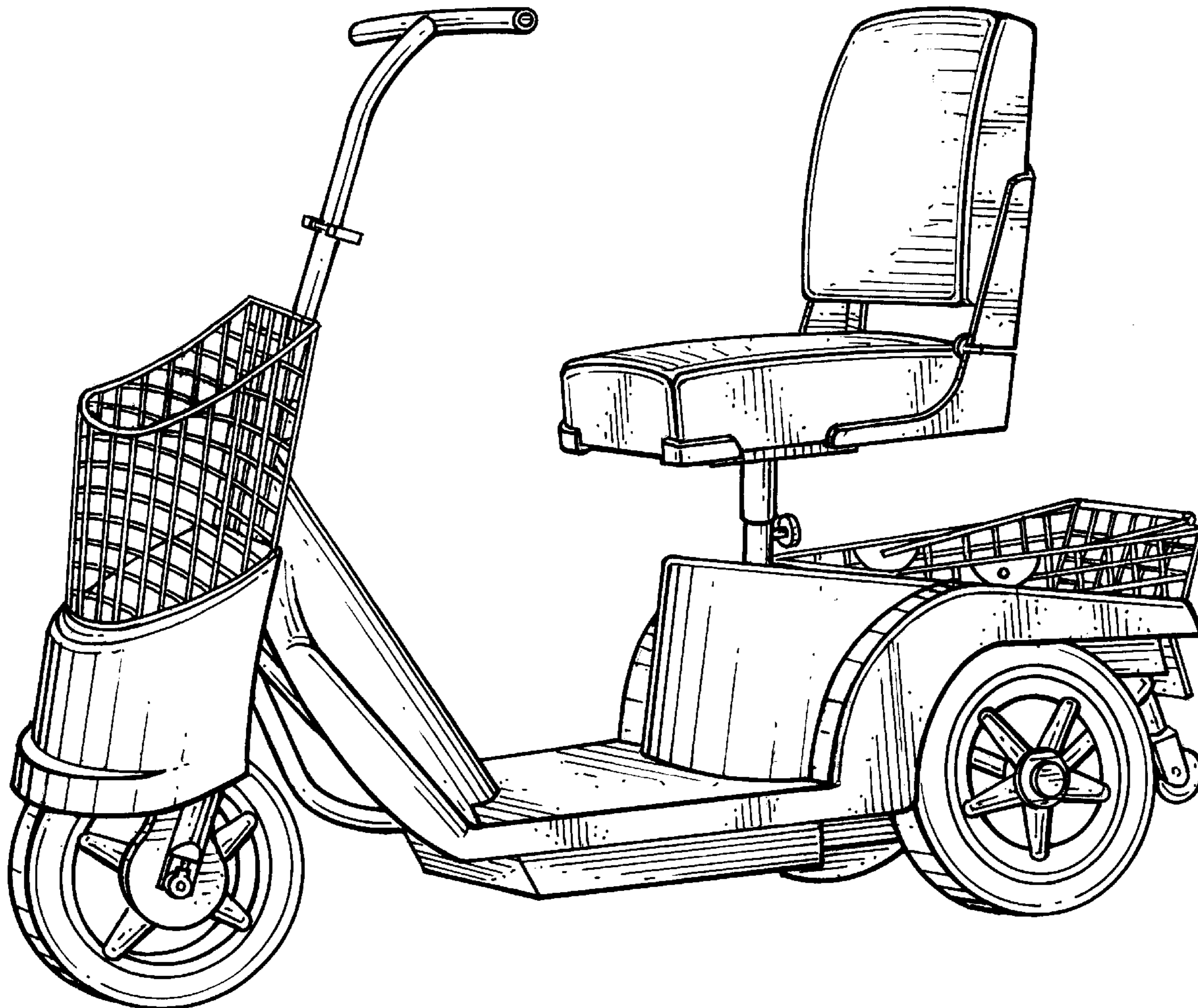
The bottom of the mobility vehicle is not material to the design of this invention.

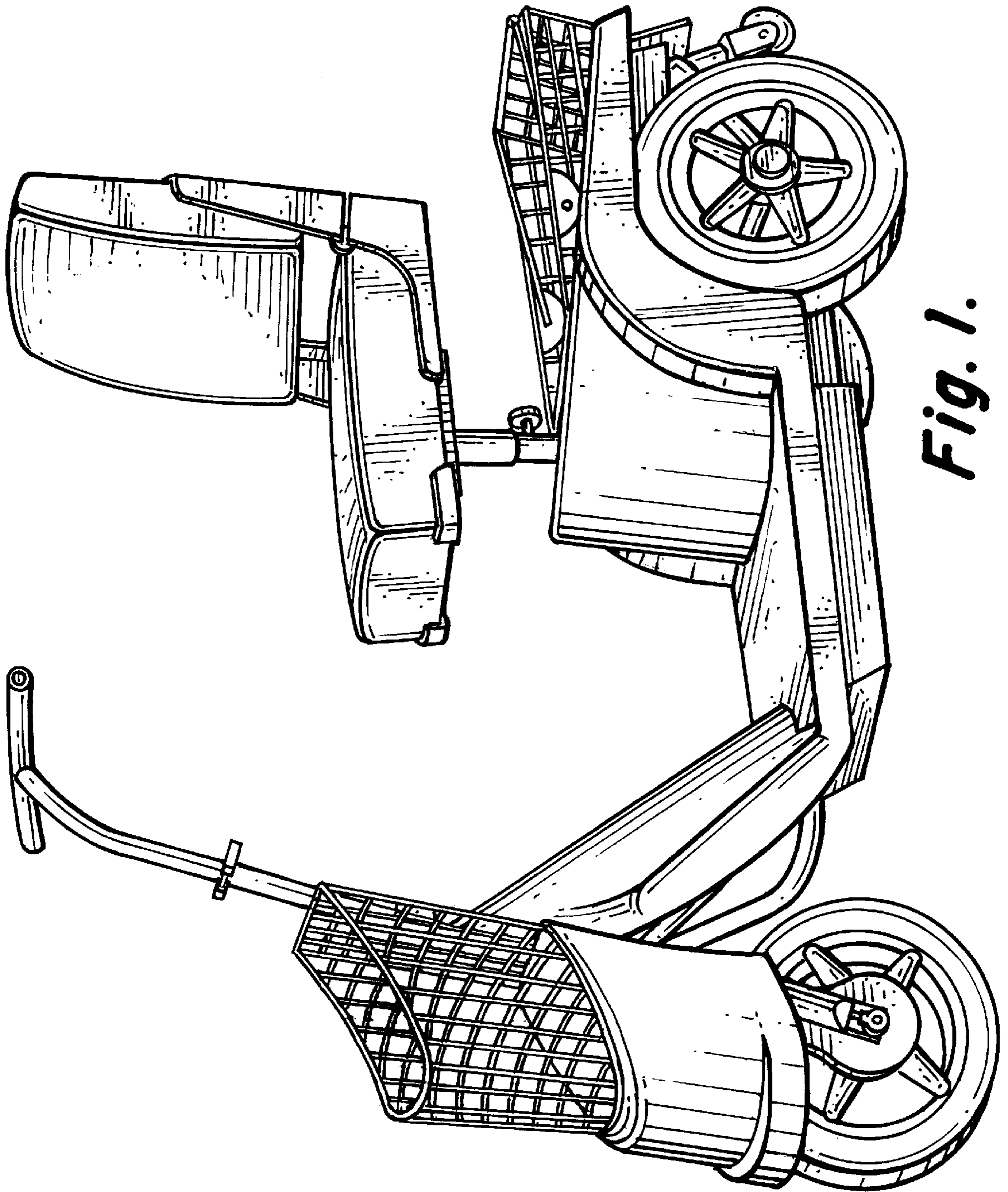
(56) **References Cited**

**U.S. PATENT DOCUMENTS**

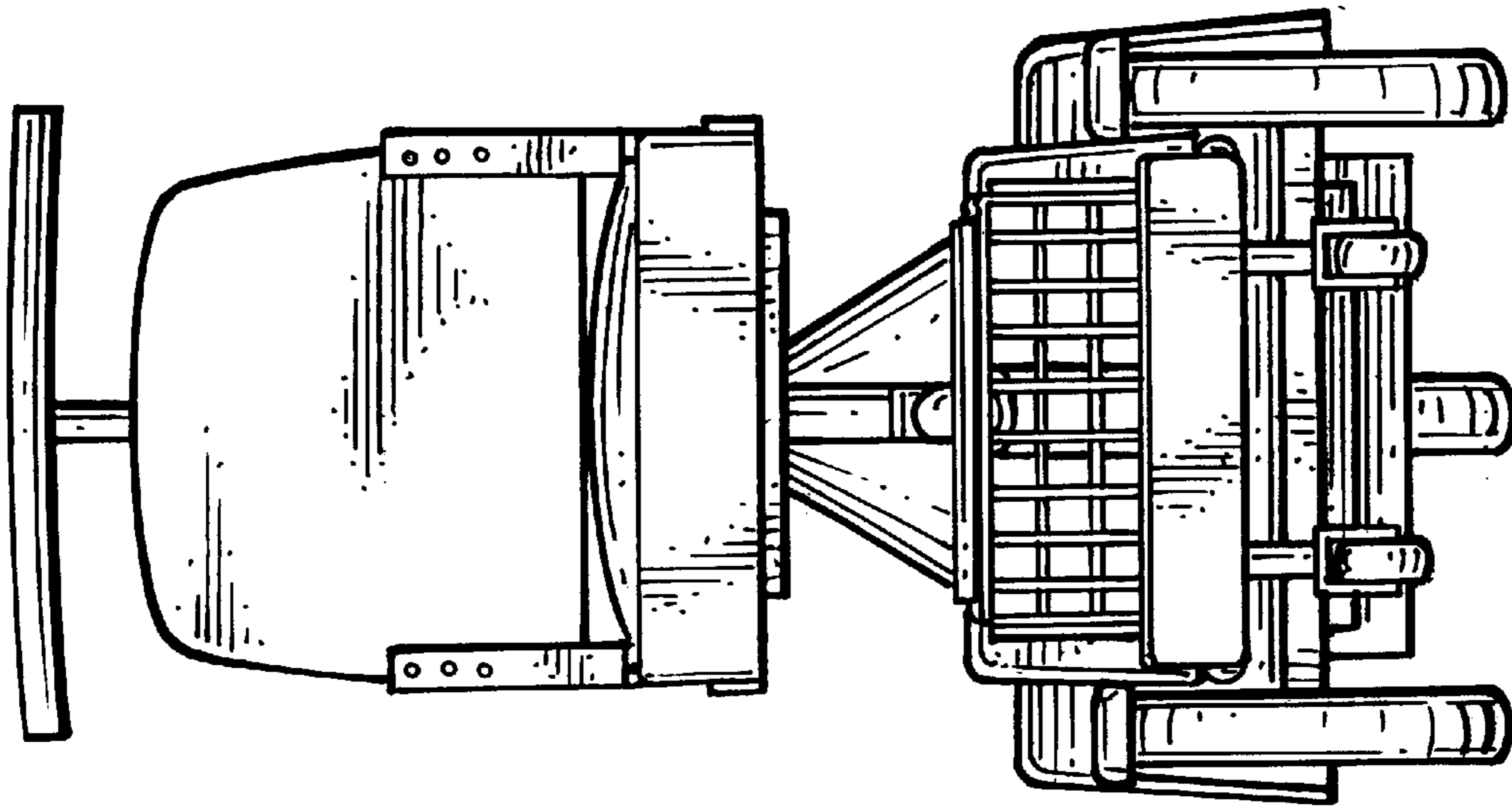
D444,422 S \* 7/2001 Cheng ..... D12/131

**1 Claim, 3 Drawing Sheets**

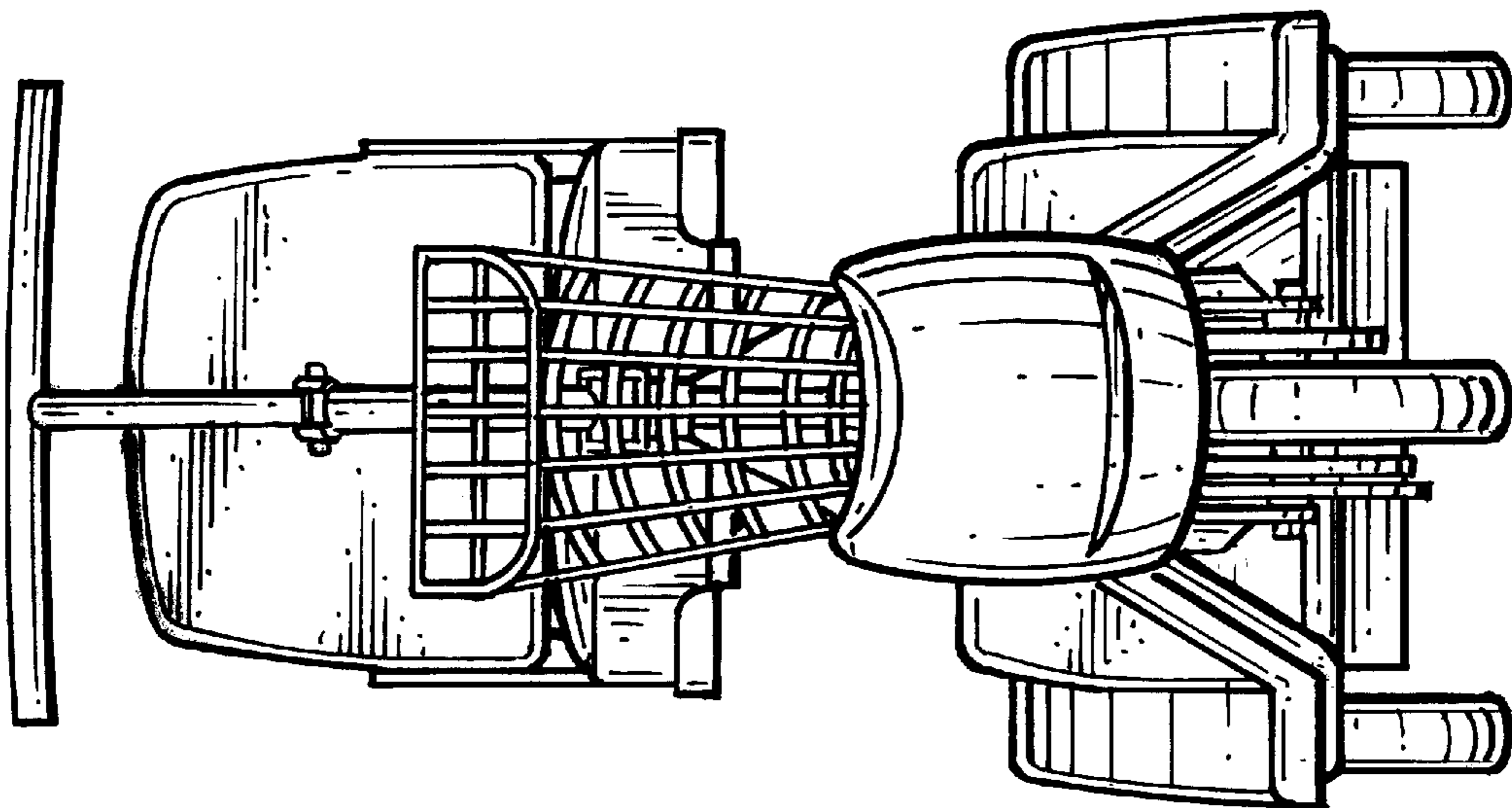




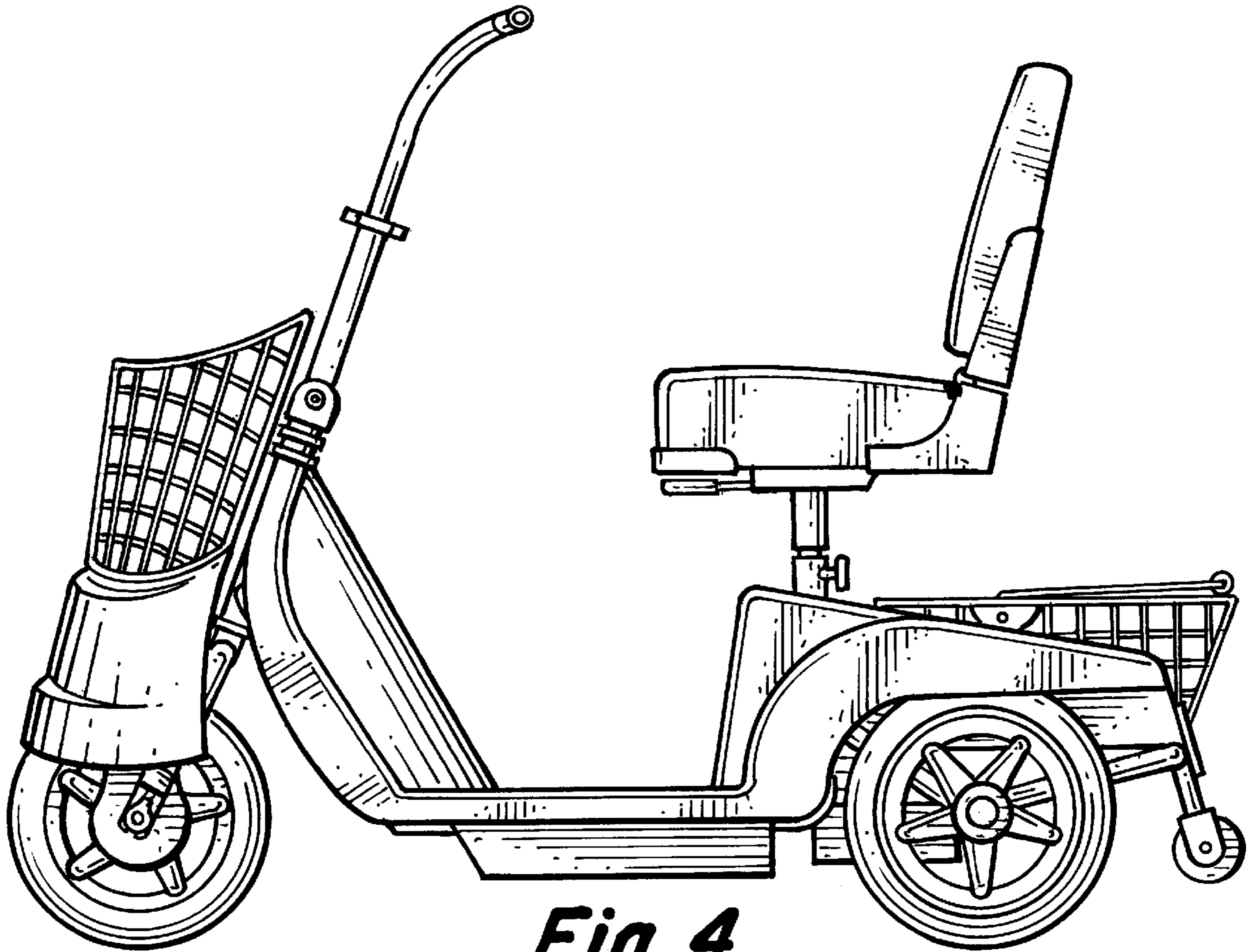
*Fig. 1.*



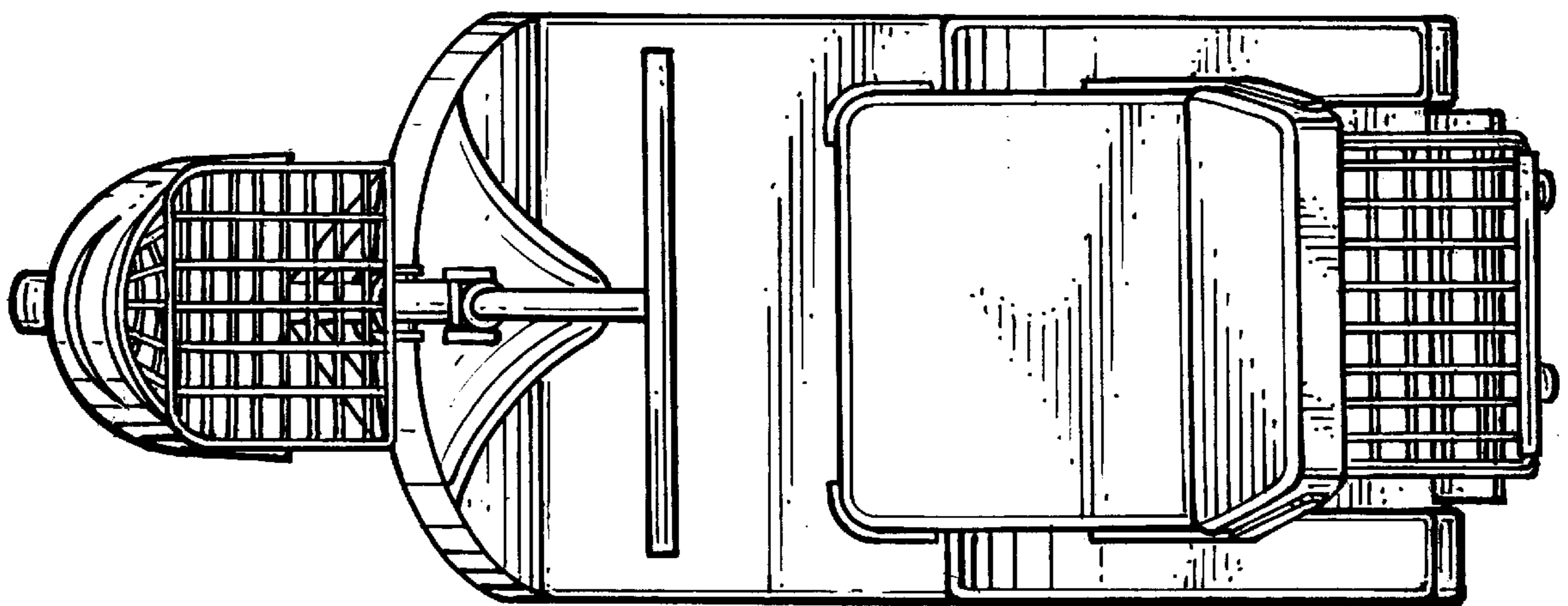
*Fig. 3.*



*Fig. 2.*



*Fig. 4.*



*Fig. 5.*