



US00D474717S

(12) **United States Design Patent**  
**Weber et al.**

(10) **Patent No.:** **US D474,717 S**

(45) **Date of Patent:** **\*\* May 20, 2003**

(54) **CARGO BOX**

(75) Inventors: **Cindy Louise Weber**, Williamsburg, VA (US); **James Heinrich Weitz**, Hoboken, NJ (US); **Alberto Mantilla**, Regal Park, NY (US); **Anthony John Baxter**, New York, NY (US)

(73) Assignee: **Deere & Company**, Moline, IL (US)

(\*\*) Term: **14 Years**

(21) Appl. No.: **29/164,185**

(22) Filed: **Jul. 19, 2002**

(51) **LOC (7) Cl.** ..... **12-08**

(52) **U.S. Cl.** ..... **D12/93; D12/221**

(58) **Field of Search** ..... D12/93, 98, 196, D12/221, 423; 296/56, 57.1, 24.1, 183, 184; 180/311, 234; 414/477, 480; 298/23 C, 23 M, 11, 30; 224/402-404

(56) **References Cited**

**U.S. PATENT DOCUMENTS**

- D305,519 S 1/1990 Crookes et al. .... D12/5
- D367,840 S \* 3/1996 VanHoose et al. .... D12/221
- D409,524 S \* 5/1999 McKinney ..... D12/98
- D411,487 S \* 6/1999 McDonald ..... D12/98

- D414,138 S \* 9/1999 McKinney ..... D12/98
- 5,997,067 A 12/1999 Shambeau et al. .... 296/57.1
- D425,825 S 5/2000 Shambeau et al. .... D12/93
- D439,549 S \* 3/2001 Shambeau et al. .... D12/14
- D465,187 S \* 11/2002 Walker et al. .... D12/221

\* cited by examiner

*Primary Examiner*—Melody N. Brown

(57) **CLAIM**

The ornamental design for a cargo box, as shown and described.

**DESCRIPTION**

FIG. 1 is a right front elevated perspective view of a cargo box showing our new design.

FIG. 2 is a right rear perspective view of the cargo box design of FIG. 1.

FIG. 3 is a top plan view of the cargo box design of FIG. 1.

FIG. 4 is a front view of the cargo box design of FIG. 1.

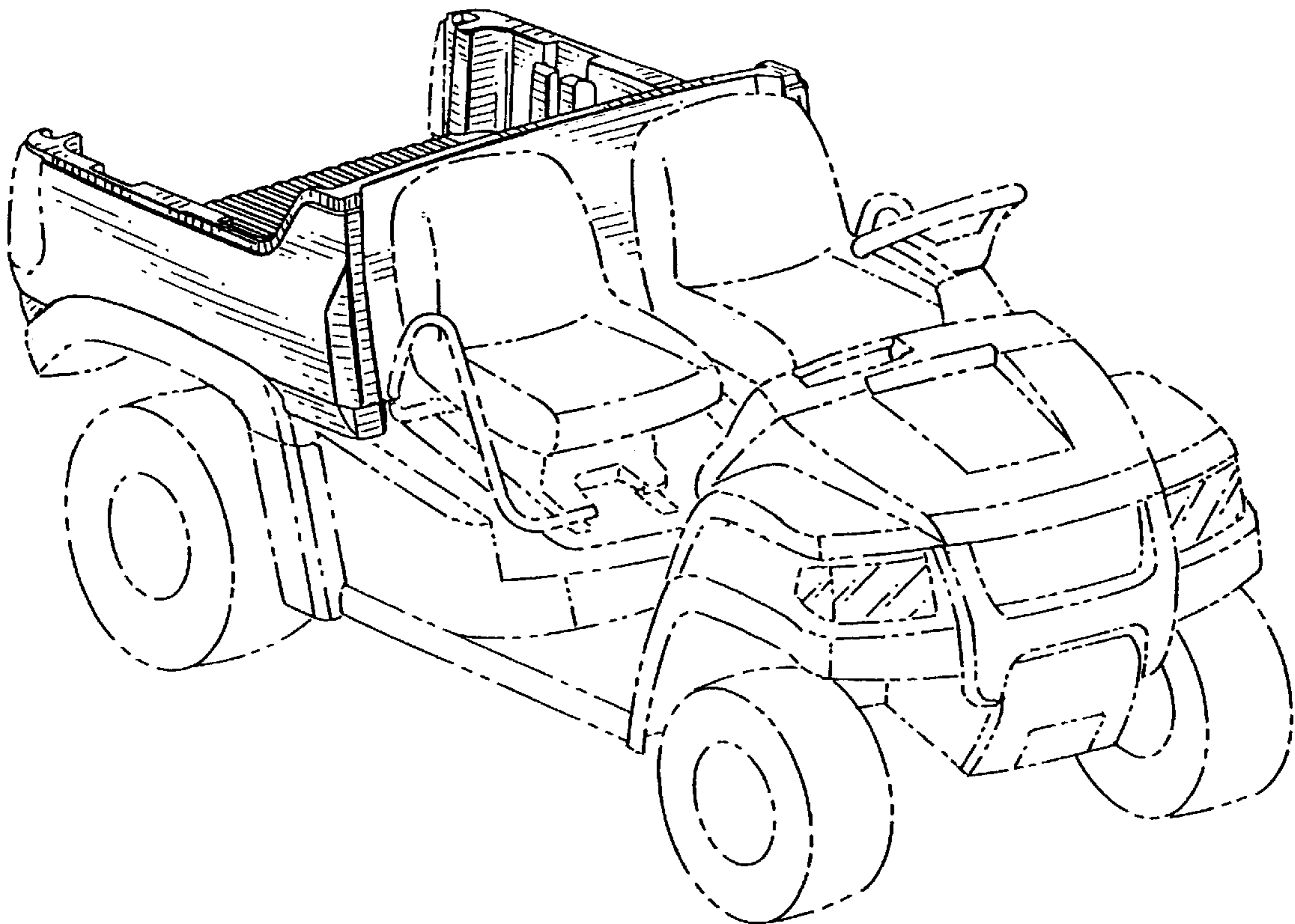
FIG. 5 is a rear view of the cargo box design of FIG. 1.

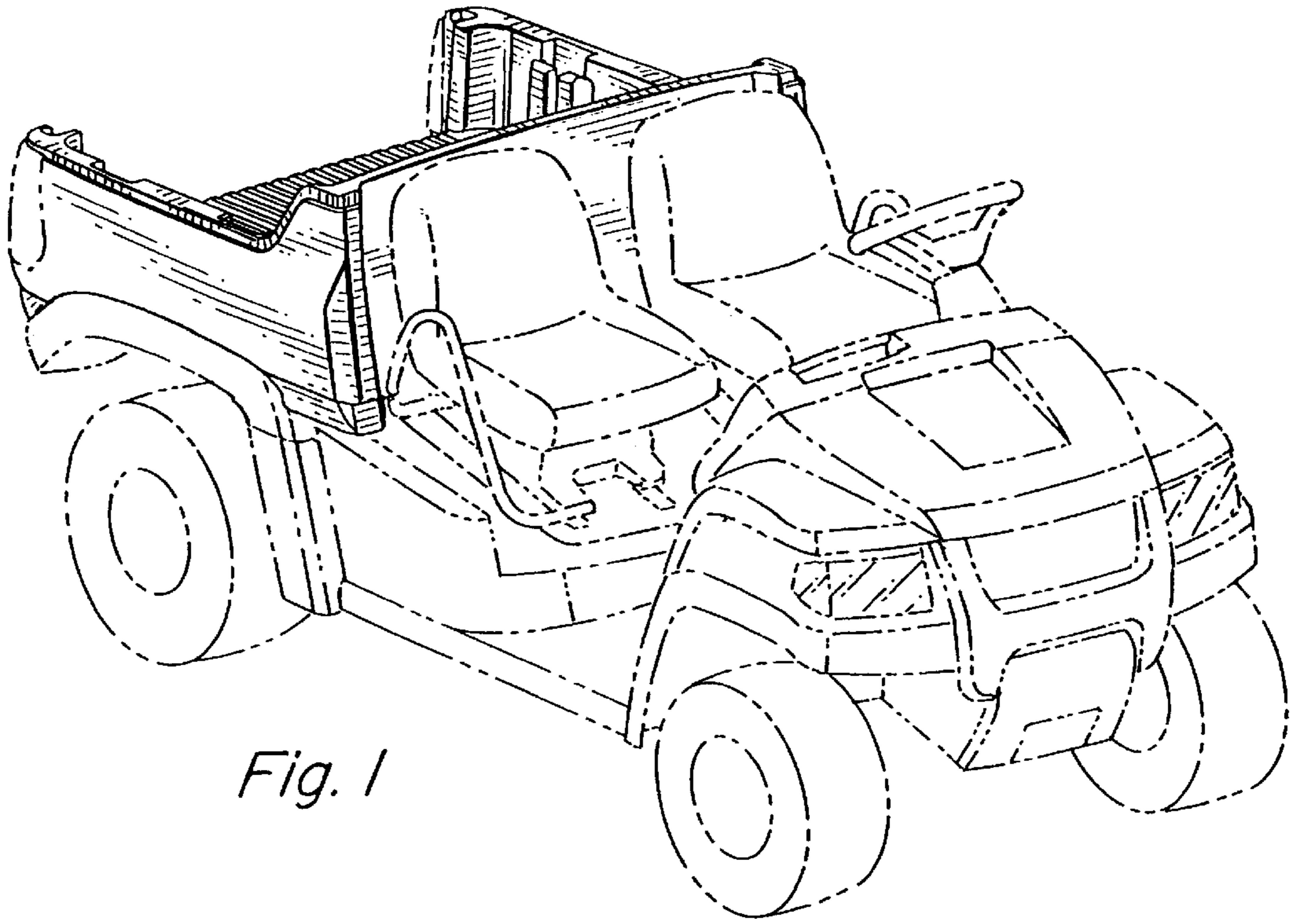
FIG. 6 is a right side view of the cargo box design of FIG. 1.

FIG. 7 is a left side view of the cargo box design of FIG. 1.

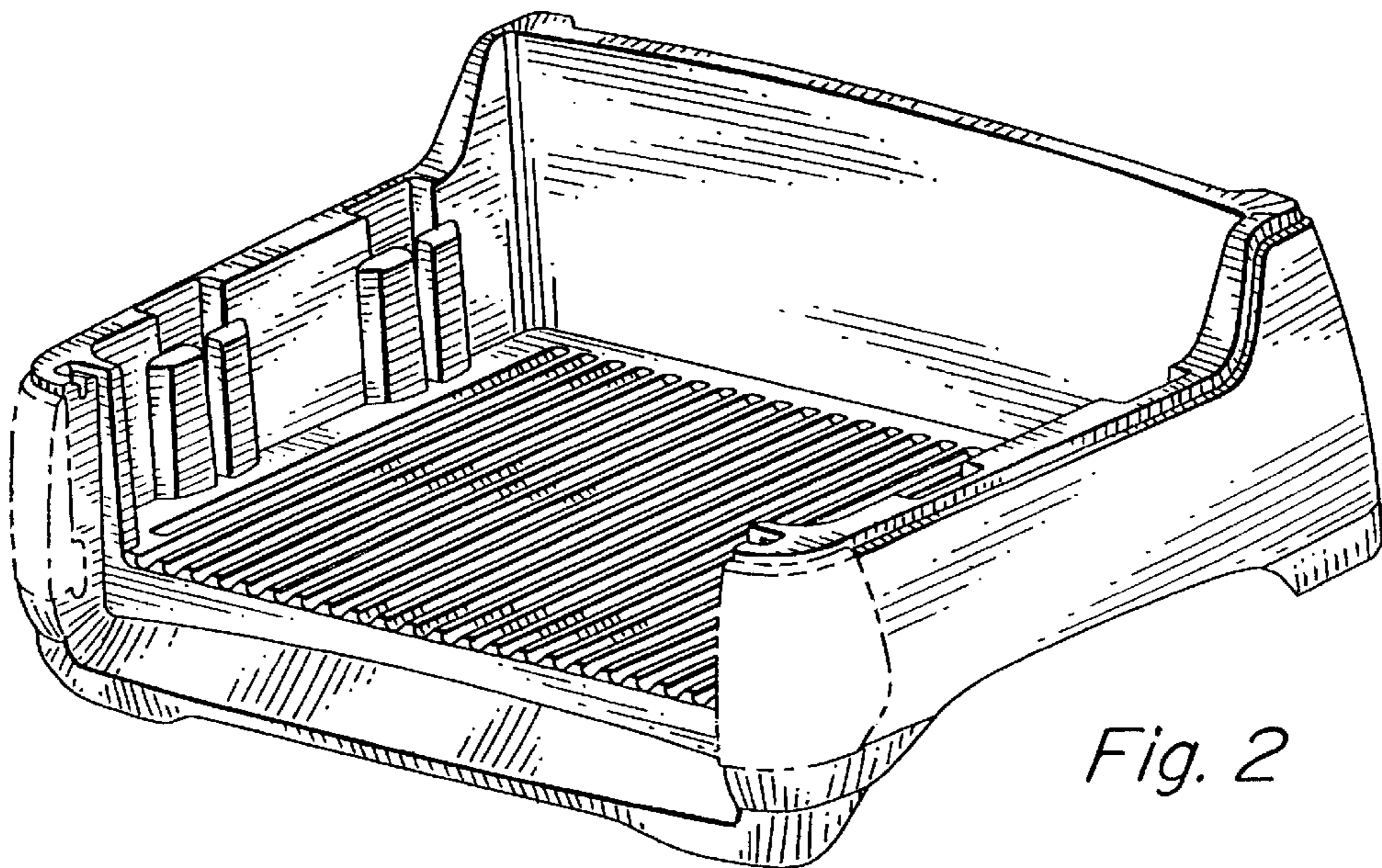
The broken lines are shown for illustrative purposes only and form no part of the claimed design.

**1 Claim, 3 Drawing Sheets**

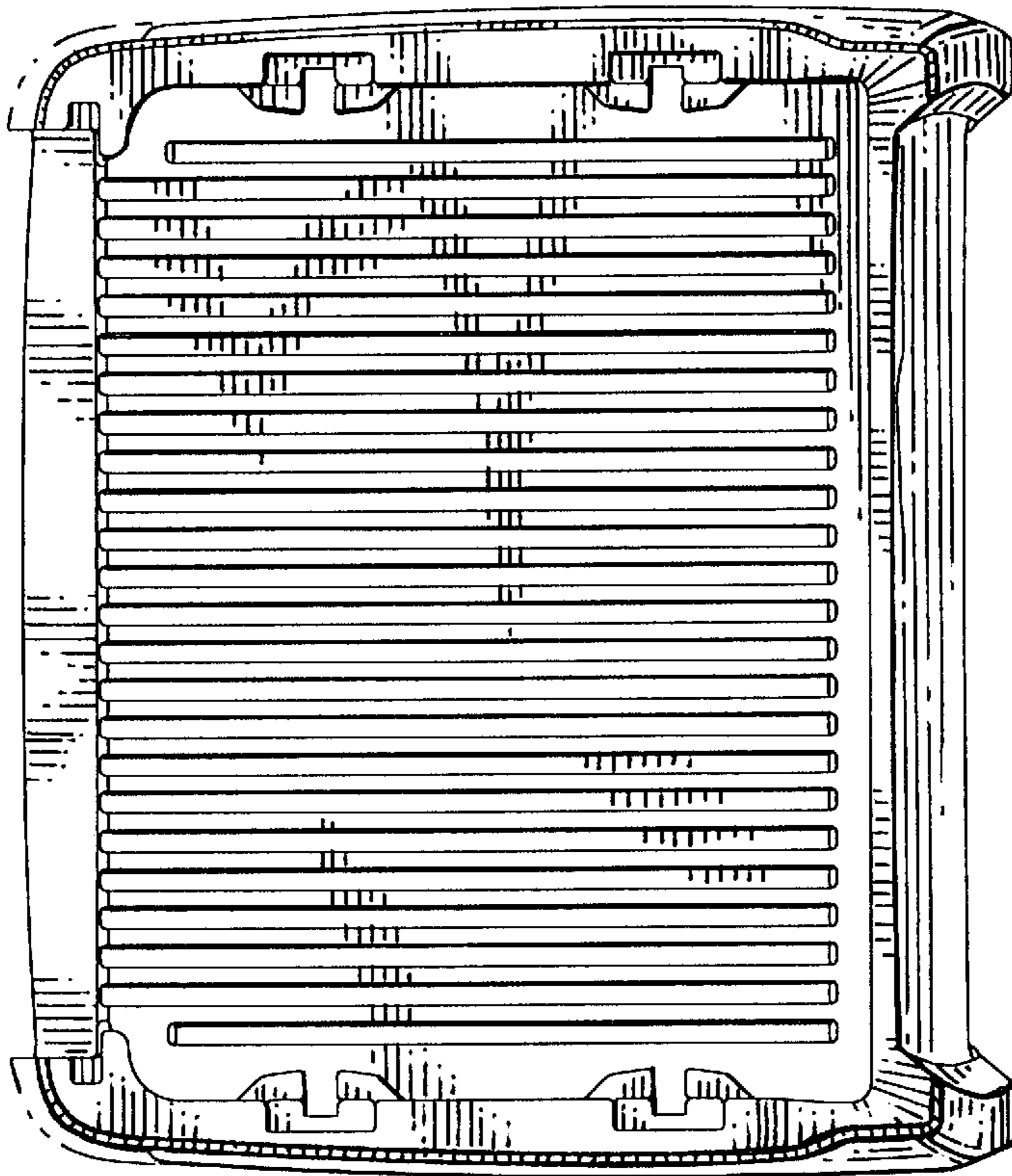




*Fig. 1*

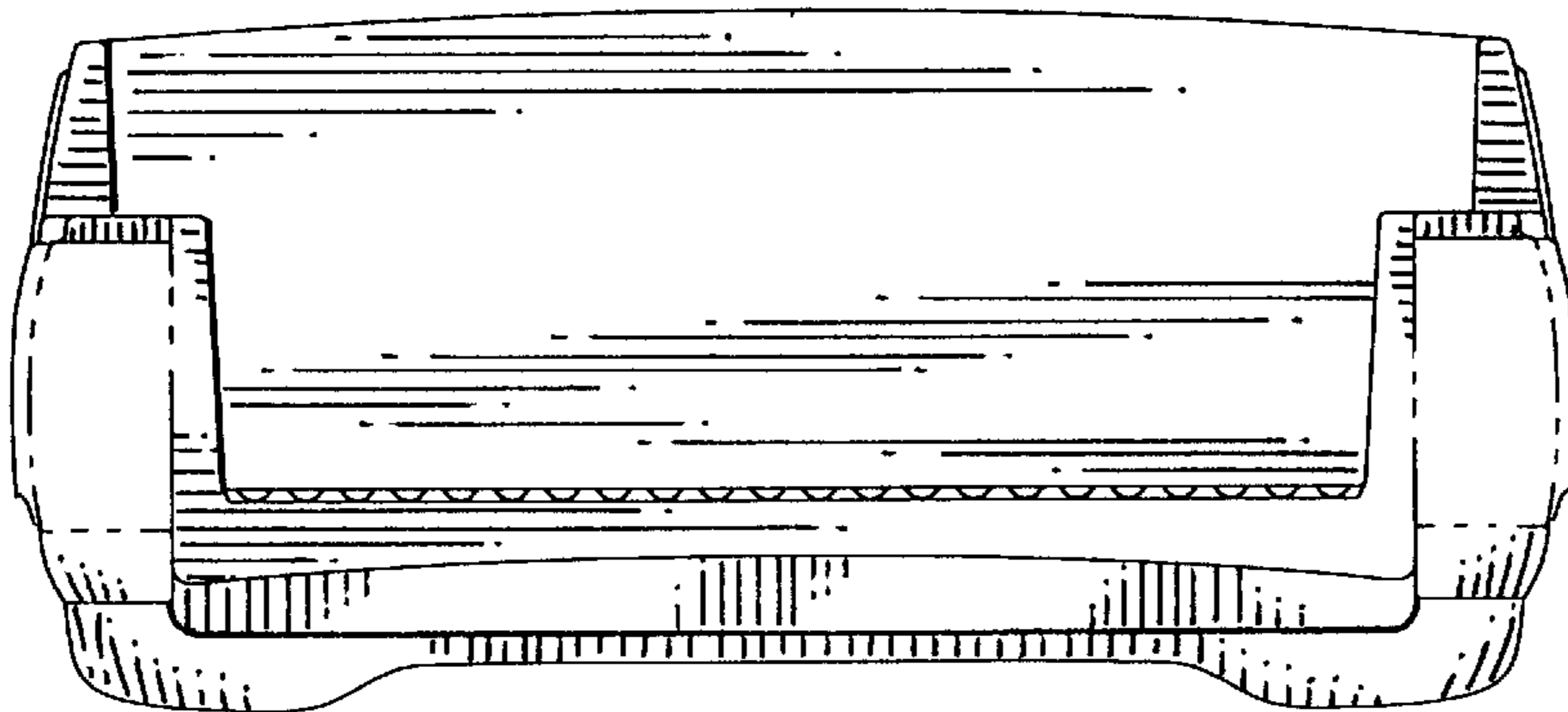
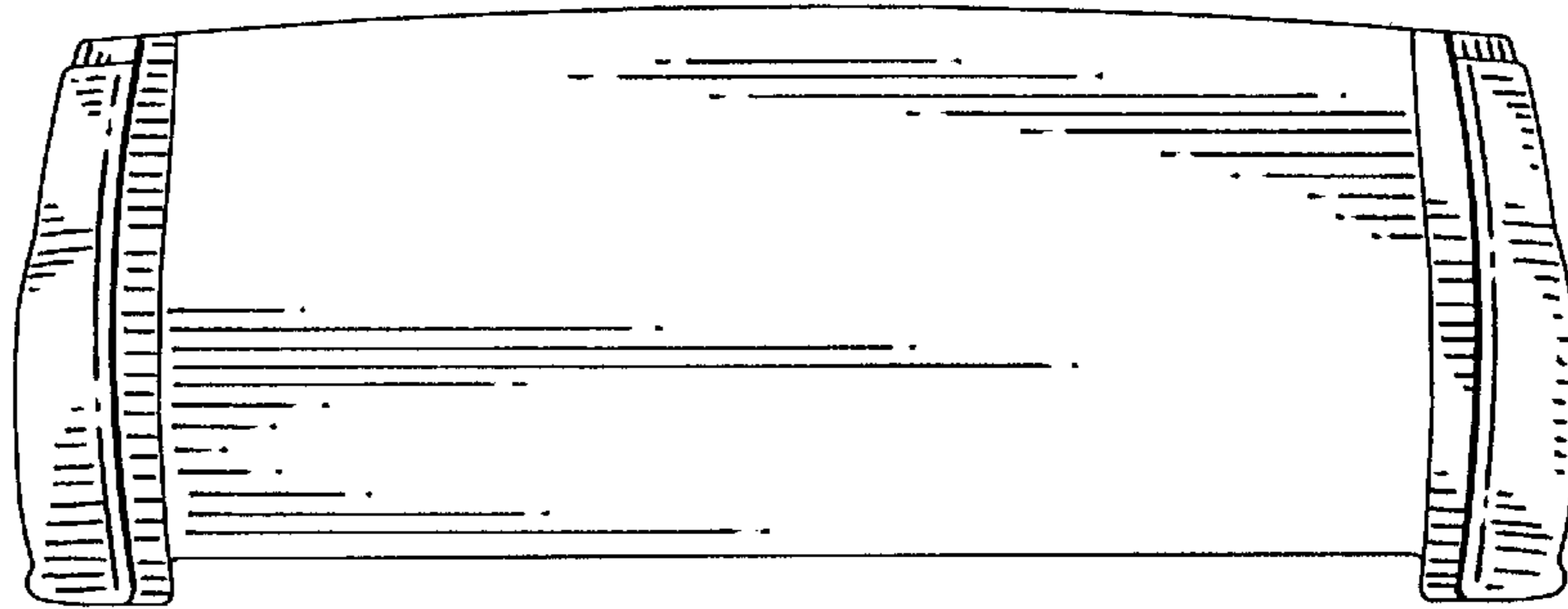


*Fig. 2*



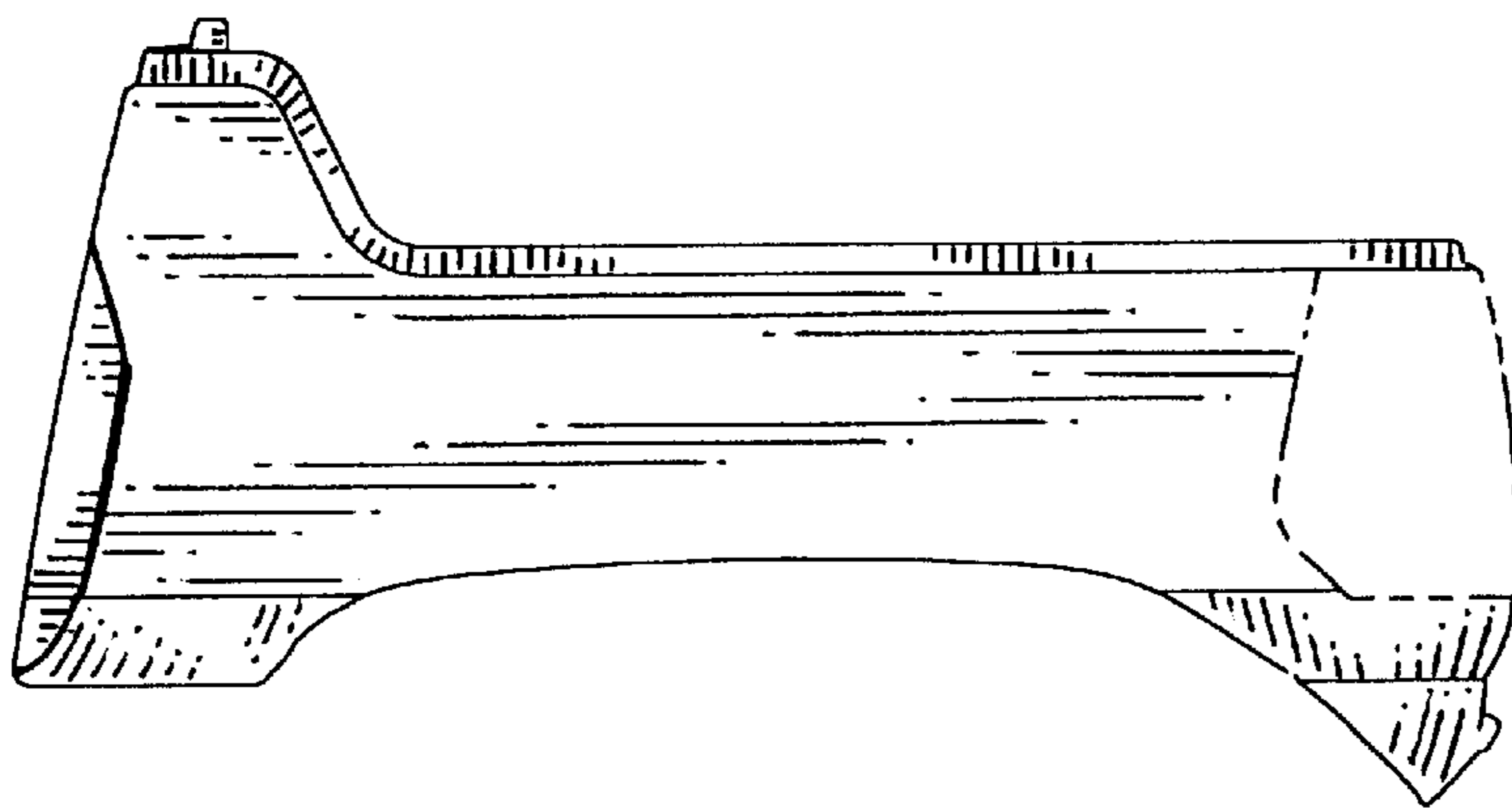
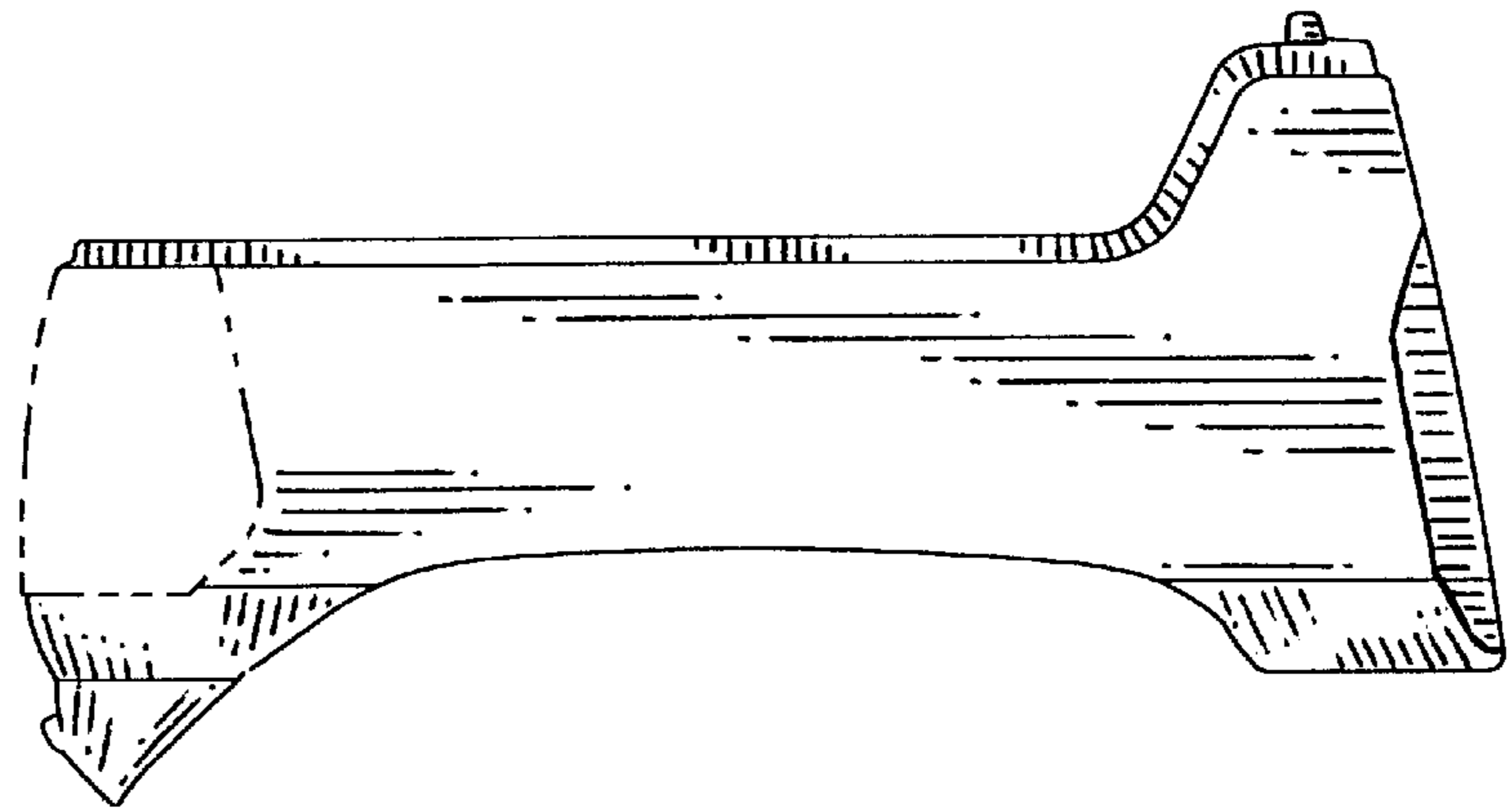
*Fig. 3*

*Fig. 4*



*Fig. 5*

*Fig. 6*



*Fig. 7*