



US00D474705S

(12) **United States Design Patent**
Shay

(10) **Patent No.:** **US D474,705 S**

(45) **Date of Patent:** **** May 20, 2003**

(54) **HIGH VOLTAGE PROXIMITY DETECTOR**

Primary Examiner—Antoine Duval Davis
(74) *Attorney, Agent, or Firm*—Rosenberg, Klein & Lee

(76) **Inventor:** **Shui-Yuan Shay**, No.106,Su Wei Road,
Pan Chiao City,Taipei Hsien (TW)

(**) **Term:** **14 Years**

(57) **CLAIM**

The ornamental design for high voltage proximity detector,
as shown and described.

(21) **Appl. No.:** **29/162,909**

(22) **Filed:** **Jun. 25, 2002**

DESCRIPTION

(51) **LOC (7) Cl.** **10-05**

FIG. 1 is a Perspective view of a high voltage proximity
detector showing my new design;

(52) **U.S. Cl.** **D10/104**

FIG. 2 is a Front view thereof;

(58) **Field of Search** D10/104, 75, 78;
250/222.1; 324/110; 340/565, 568

FIG. 3 is a Rear view thereof;

FIG. 4 is a Left side view thereof;

FIG. 5 is a Right side view thereof;

FIG. 6 is a Top plan view thereof; and,

FIG. 7 is a Bottom plan view thereof.

(56) **References Cited**

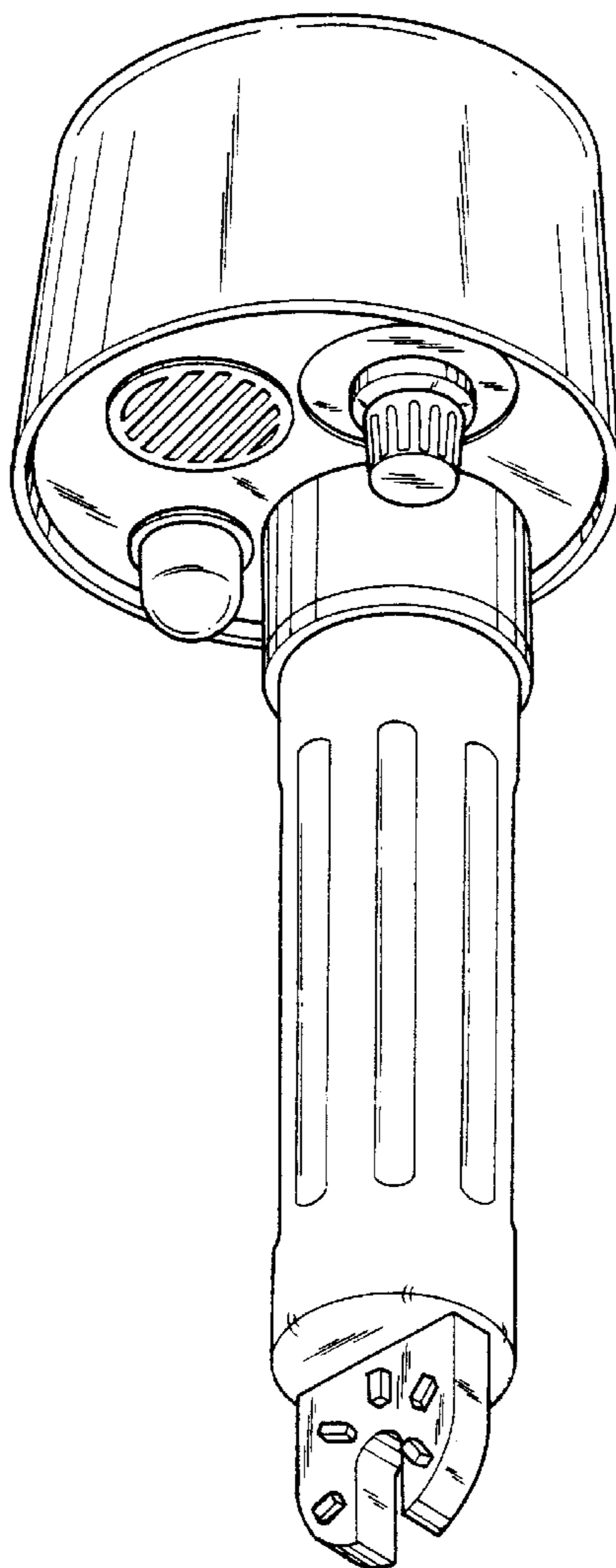
U.S. PATENT DOCUMENTS

5,422,565 A * 6/1995 Swanson 324/110

5,523,559 A * 6/1996 Swanson 324/110 X

* cited by examiner

1 Claim, 7 Drawing Sheets



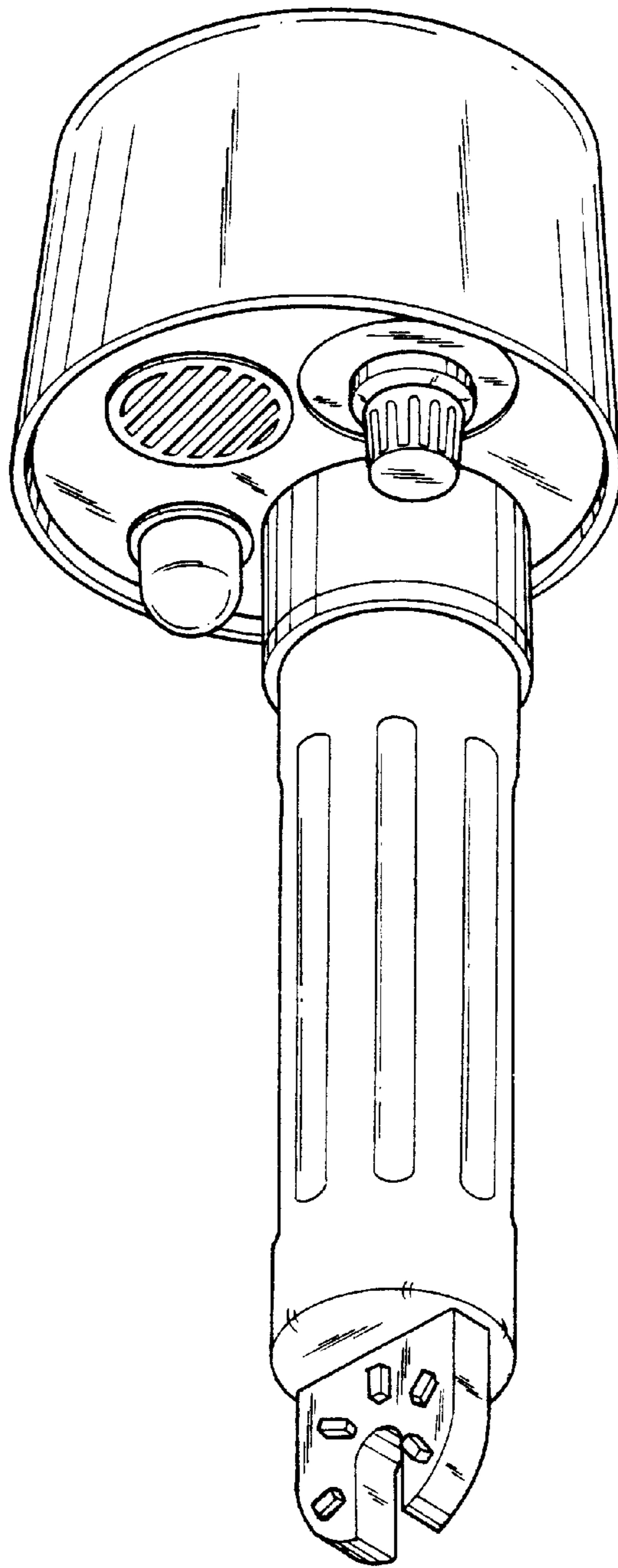


FIG. 1

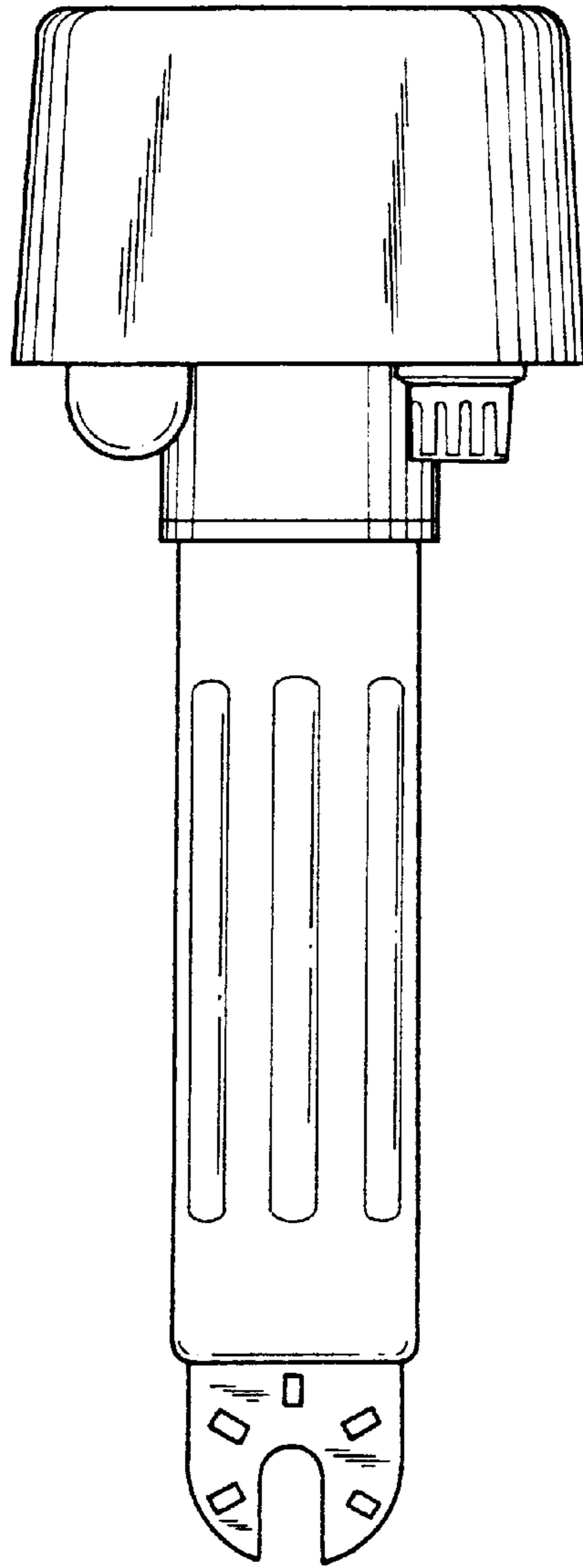


FIG. 2

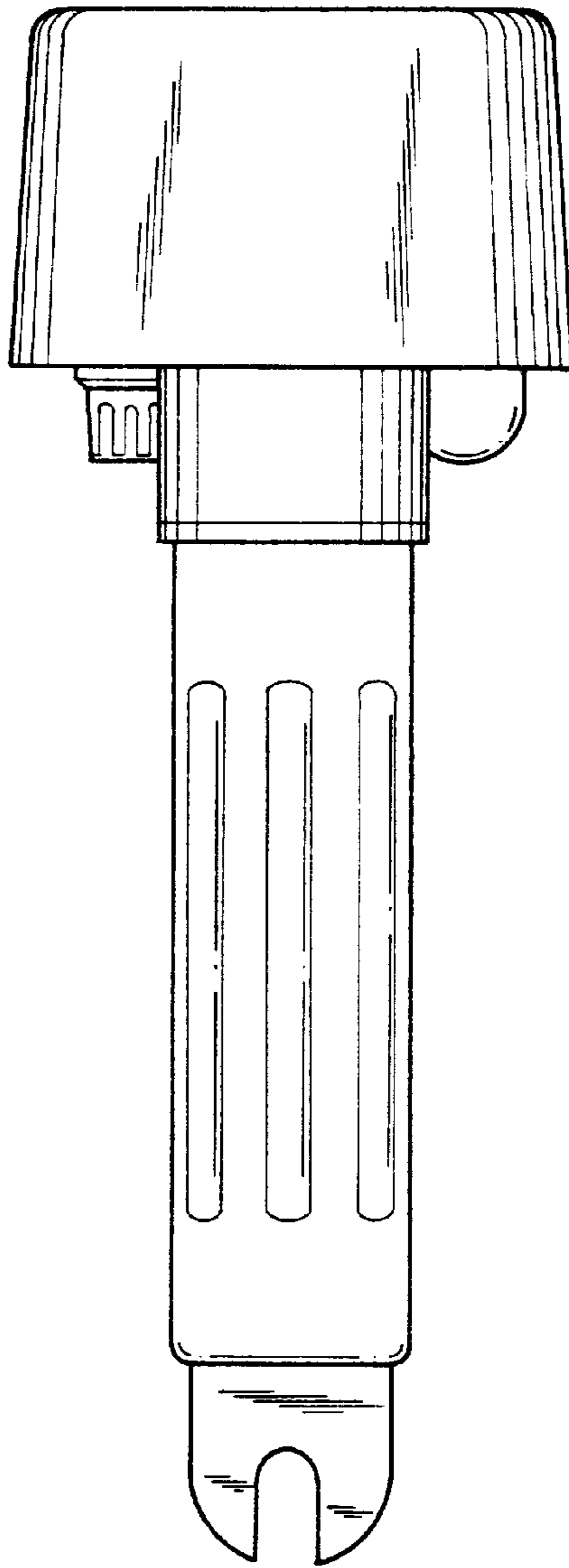


FIG. 3

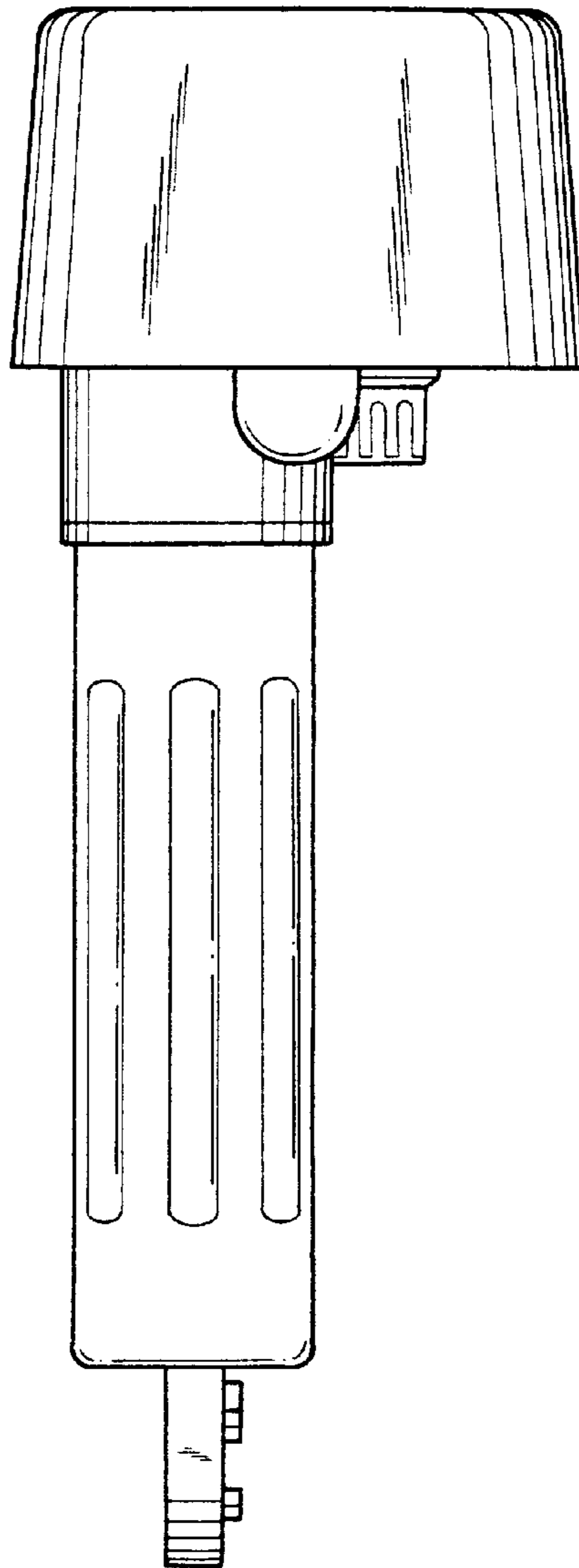


FIG. 4

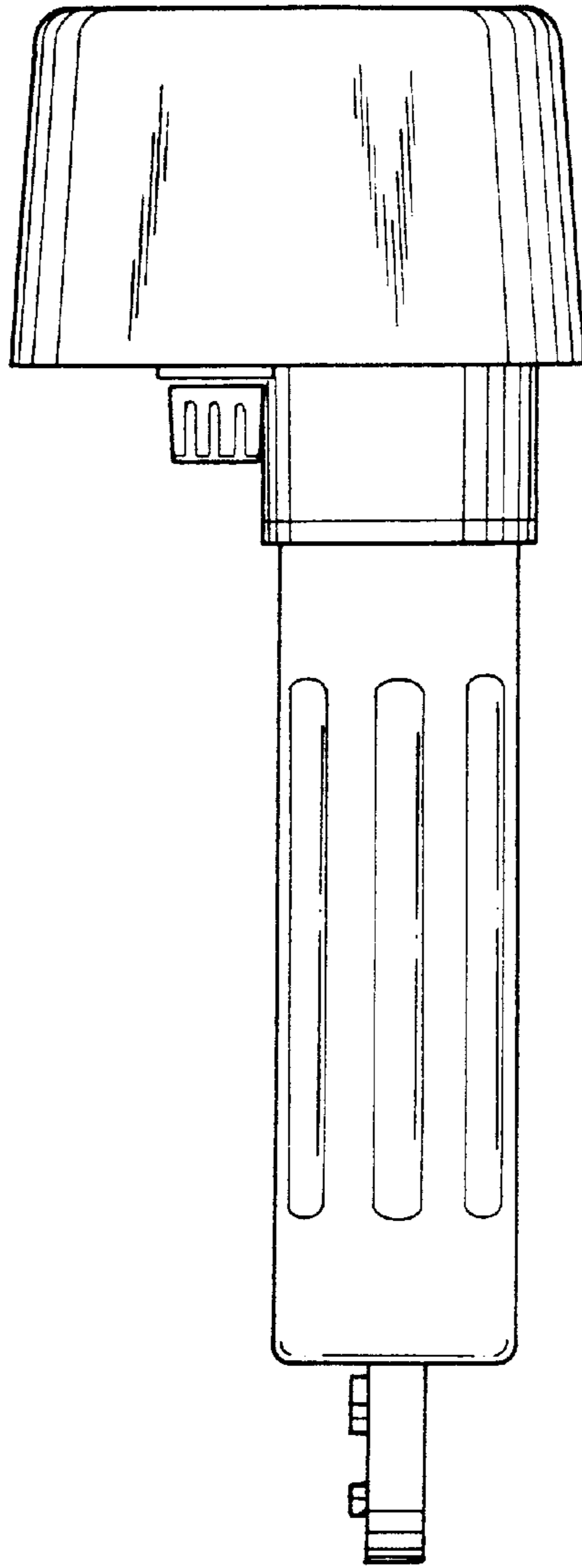


FIG. 5

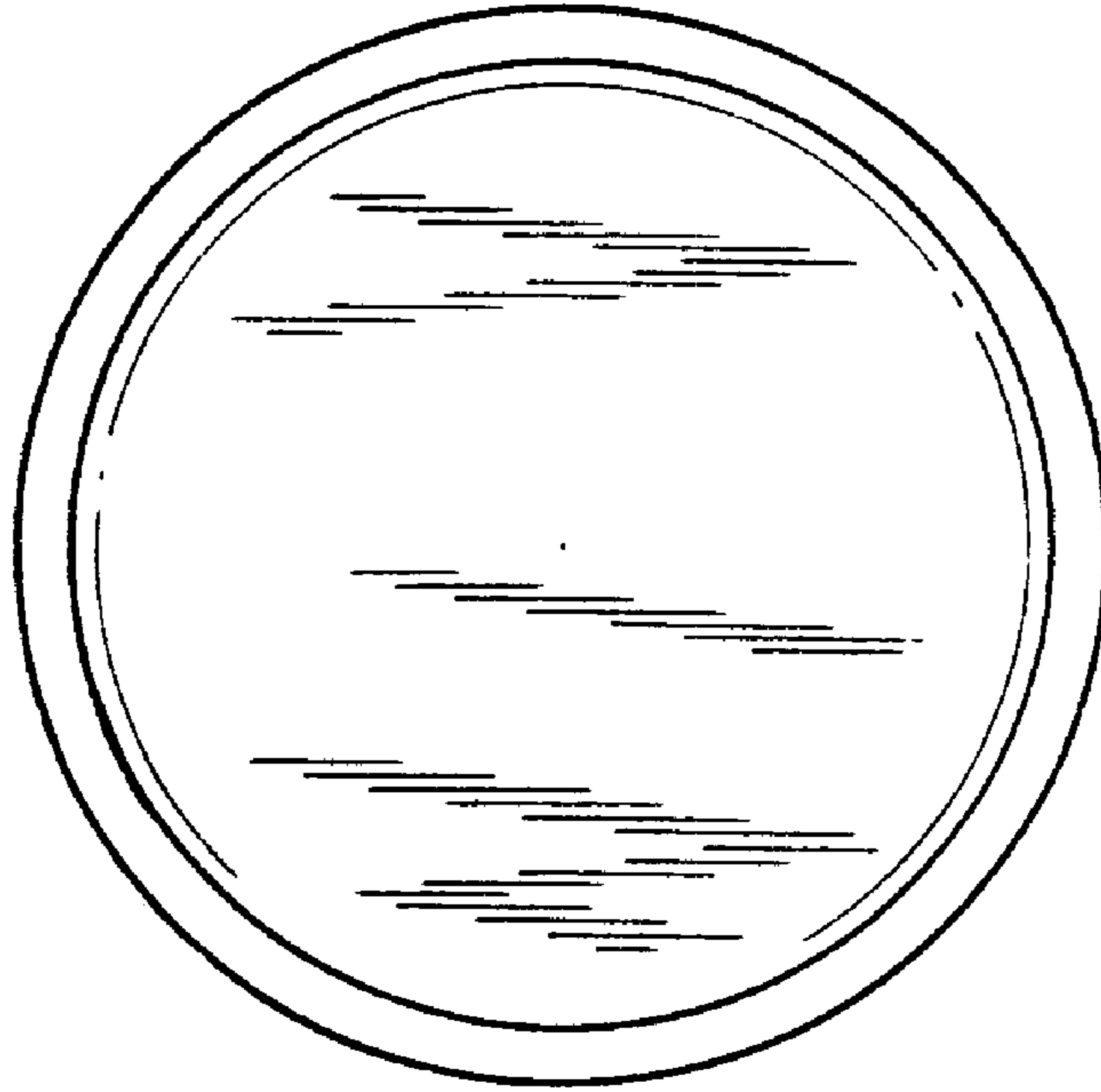


FIG. 6

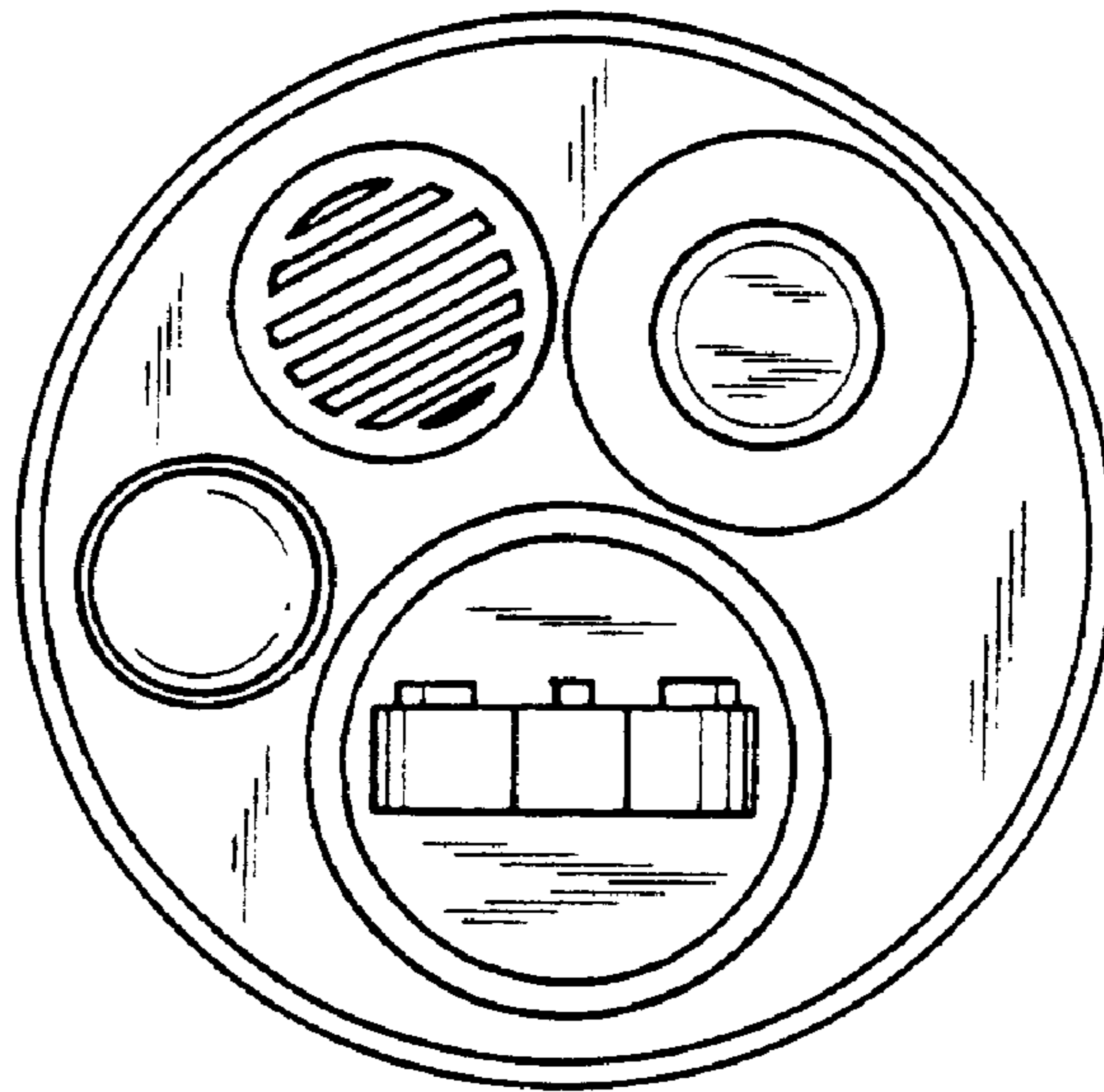


FIG. 7