



US00D474704S

(12) **United States Design Patent**  
**Ikeda et al.**

(10) **Patent No.:** **US D474,704 S**

(45) **Date of Patent:** **\*\* May 20, 2003**

(54) **ELECTRICAL TEST INSTRUMENT BODY**

(75) Inventors: **John K. Ikeda**, Seattle, WA (US);  
**Duncan N. Kearsley**, Stanwood, WA (US)

(73) Assignee: **Fluke Corporation**, Everett, WA (US)

(\*\*) Term: **14 Years**

(21) Appl. No.: **29/168,298**

(22) Filed: **Sep. 27, 2002**

**Related U.S. Application Data**

(62) Division of application No. 29/141,875, filed on May 14, 2001, now Pat. No. Des. 467,190.

(51) **LOC (7) Cl.** ..... **10-04**

(52) **U.S. Cl.** ..... **D10/79**

(58) **Field of Search** ..... D10/79; 324/99 D,  
324/115-117, 126-130, 142, 143, 149,  
156, 158 F, 158 P

(56) **References Cited**

**U.S. PATENT DOCUMENTS**

D399,150 S \* 10/1998 Fisher ..... D10/79

D401,172 S \* 11/1998 Kuramoto ..... D10/79

D440,892 S \* 4/2001 Kuramoto ..... D10/79  
D450,002 S \* 11/2001 Chang ..... D10/79  
D452,659 S \* 1/2002 Harja et al. .... D10/79

\* cited by examiner

*Primary Examiner*—Antoine Duval Davis

(74) *Attorney, Agent, or Firm*—Richard A. Koske

(57) **CLAIM**

The ornamental design for an electrical test instrument body, as shown and described.

**DESCRIPTION**

FIG. 1 is a perspective view of an electrical test instrument body showing our new design;  
FIG. 2 is a front elevation view thereof;  
FIG. 3 is a right side elevation view thereof;  
FIG. 4 is a rear elevation view thereof;  
FIG. 5 is a left side elevation view thereof;  
FIG. 6 is a top plan view thereof; and,  
FIG. 7 is a bottom plan view thereof.

The broken lines showing in FIGS. 1-7 are for illustrative purposes only and form no part of the claimed design. In particular, the jaw portion and certain elements on the body shown in FIGS. 1-7 form no part of the claimed design.

**1 Claim, 4 Drawing Sheets**

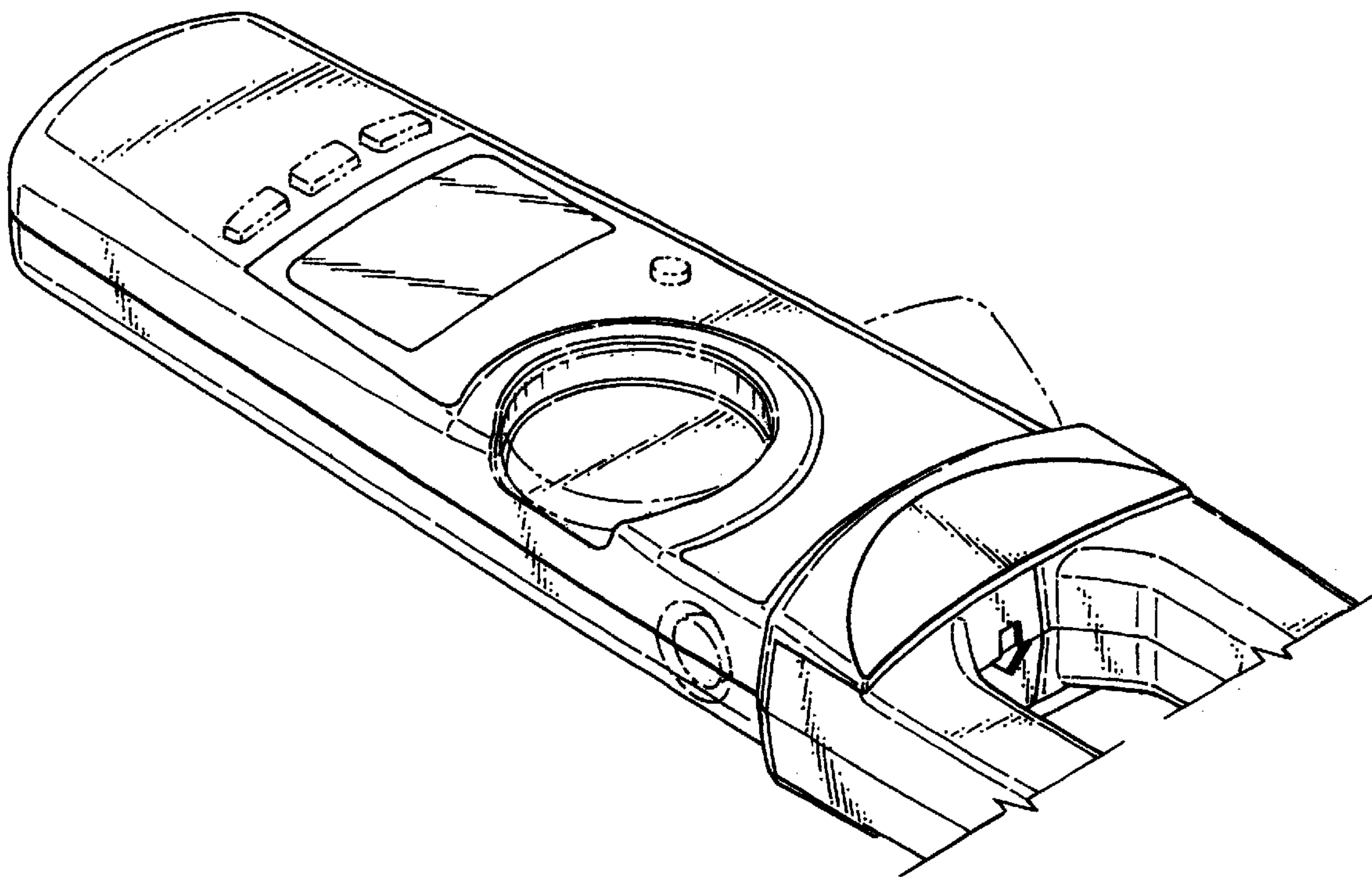


FIG. 1

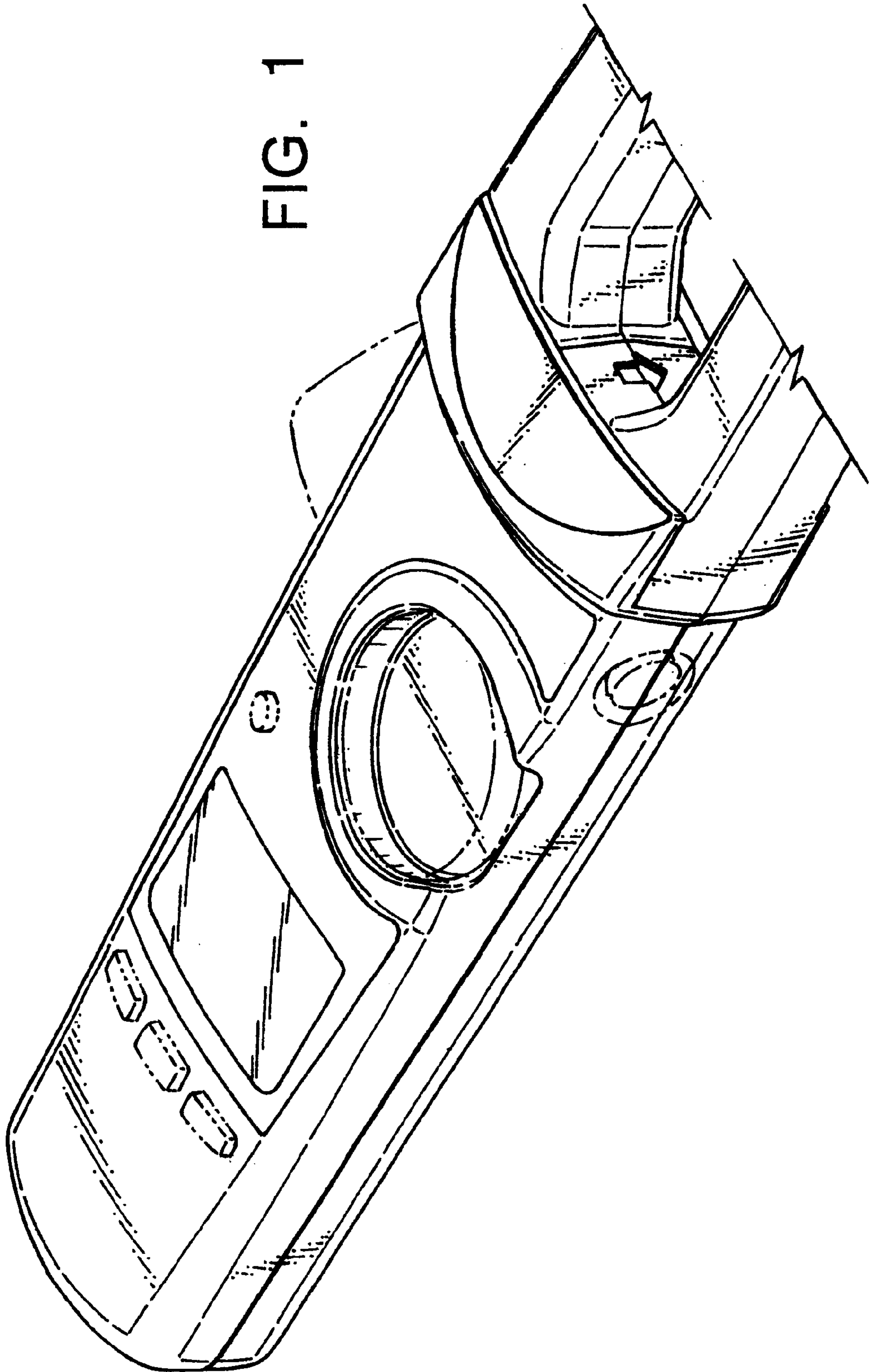


FIG. 2

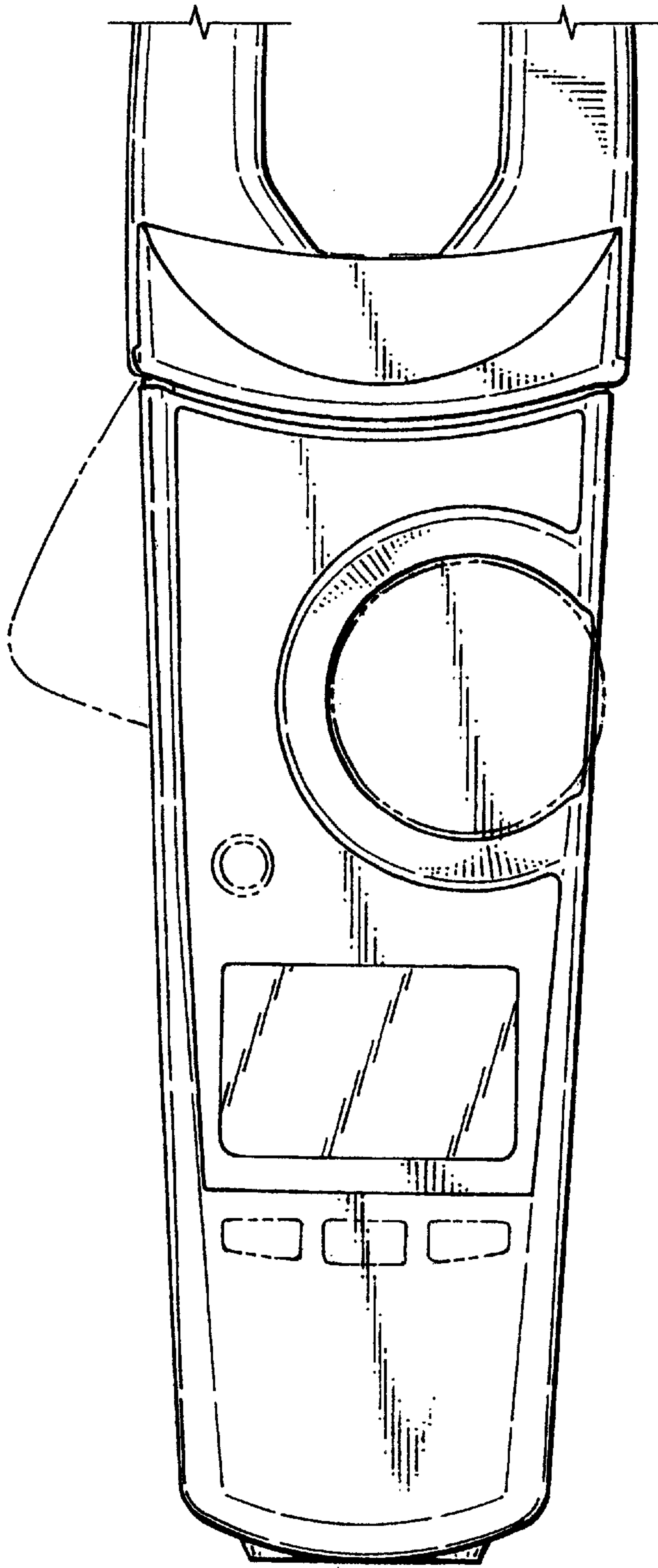


FIG. 3

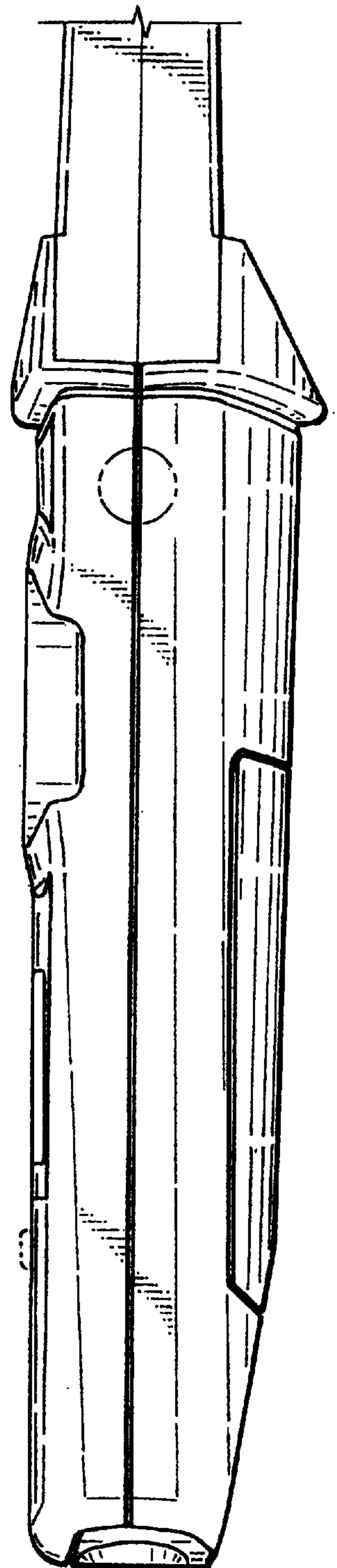


FIG. 4

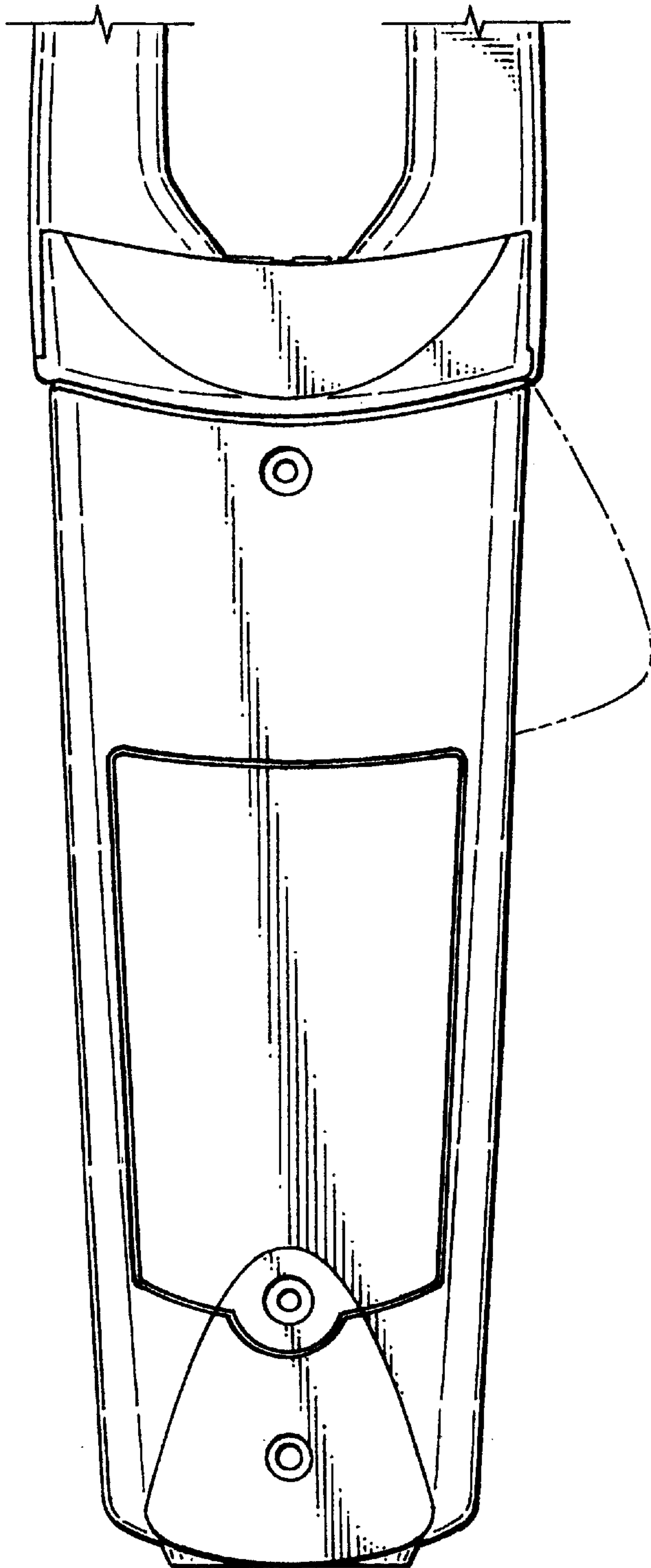


FIG. 5

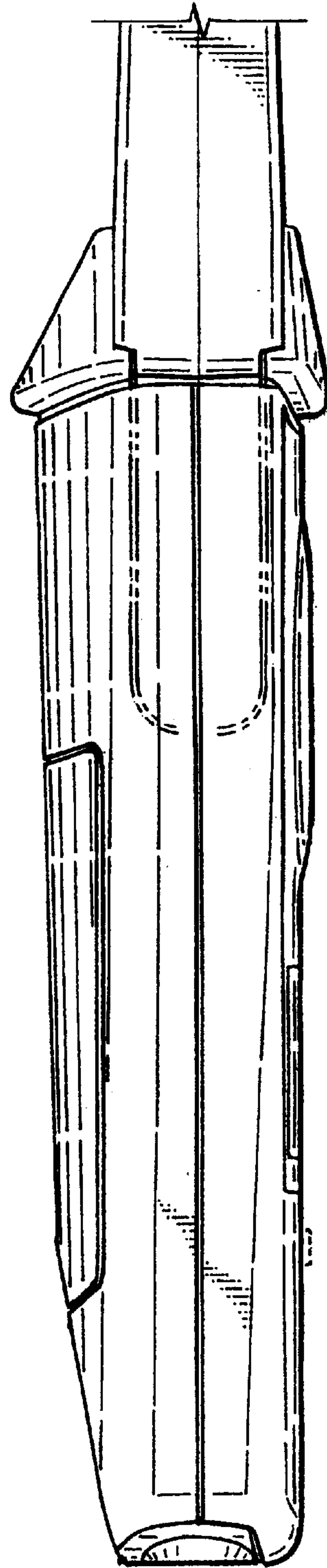




FIG. 6

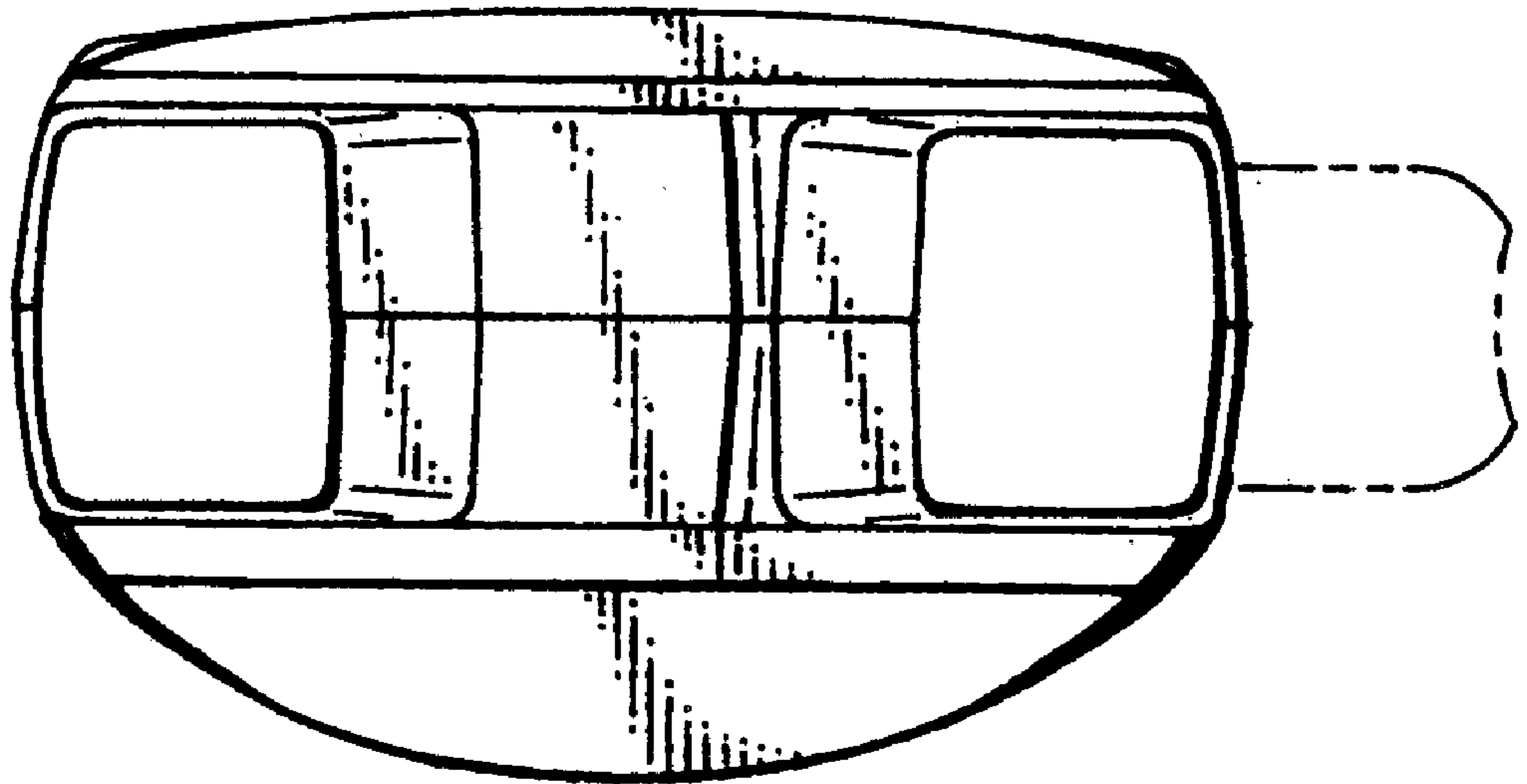


FIG. 7

