



US00D474702S

(12) **United States Design Patent**
Levinson

(10) **Patent No.:** **US D474,702 S**

(45) **Date of Patent:** **** May 20, 2003**

(54) **VERTICAL KNIFE GUIDE**

6,227,958 B1 * 5/2001 Neuberger 30/339 X
6,298,562 B1 * 10/2001 Duquette 30/294

(75) Inventor: **Emmy Levinson**, Kibbutz Amiad (IL)

* cited by examiner

(73) Assignee: **Kapro Industries Ltd.**, Bikat Beit Hakerem (IL)

Primary Examiner—Antoine Duval Davis
(74) *Attorney, Agent, or Firm*—Nixon & Vanderhye

(**) Term: **14 Years**

(57) **CLAIM**

(21) Appl. No.: **29/156,035**

The ornamental design for a “vertical knife guide”, as shown and described.

(22) Filed: **Feb. 25, 2002**

DESCRIPTION

(51) **LOC (7) Cl.** **10-04**

(52) **U.S. Cl.** **D10/74**

(58) **Field of Search** D10/74; 33/483-494,
33/755-770; 30/162, 293, 294, 320, 335,
336, 339

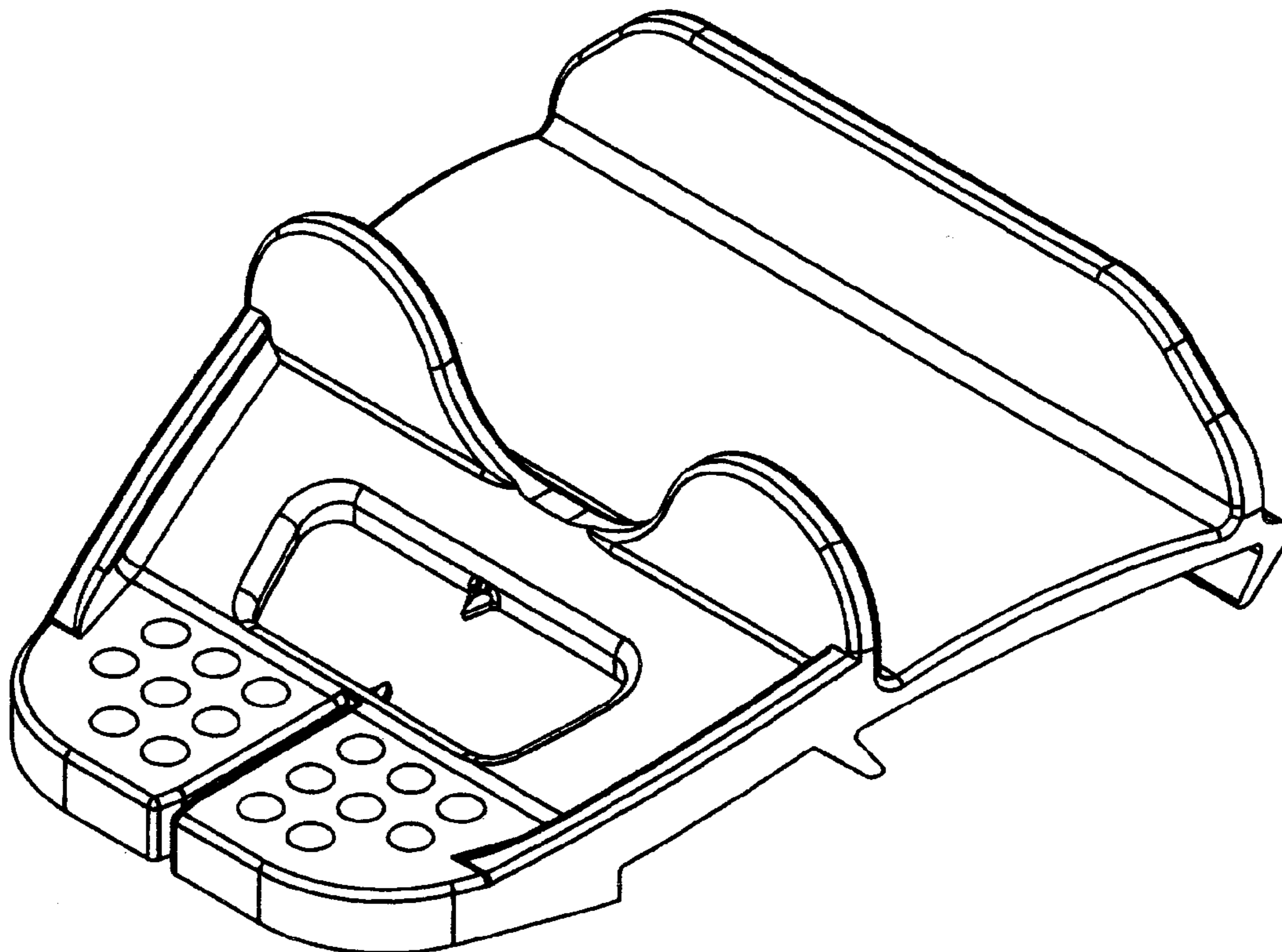
FIG. 1 is a top, front and right side perspective view of a vertical knife guide according to my design;
FIG. 2 is a front elevational view thereof;
FIG. 3 is a rear elevational view thereof;
FIG. 4 is a bottom plan view thereof;
FIG. 5 is a right side elevational view thereof;
FIG. 6 is a left side elevational view thereof; and,
FIG. 7 is a top plan view thereof.

(56) **References Cited**

U.S. PATENT DOCUMENTS

5,349,760 A * 9/1994 DeVito 33/760

1 Claim, 7 Drawing Sheets



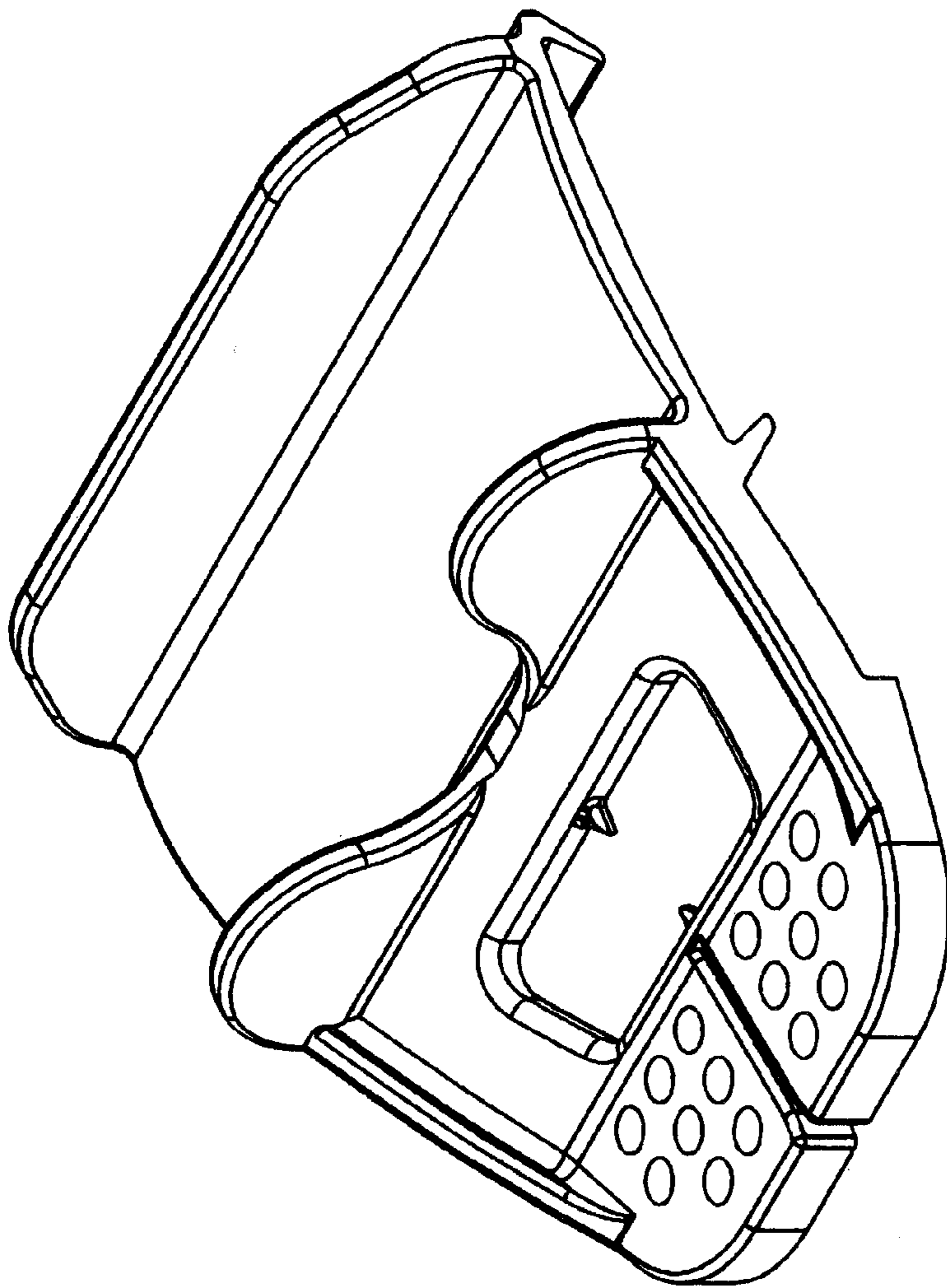


Figure 1

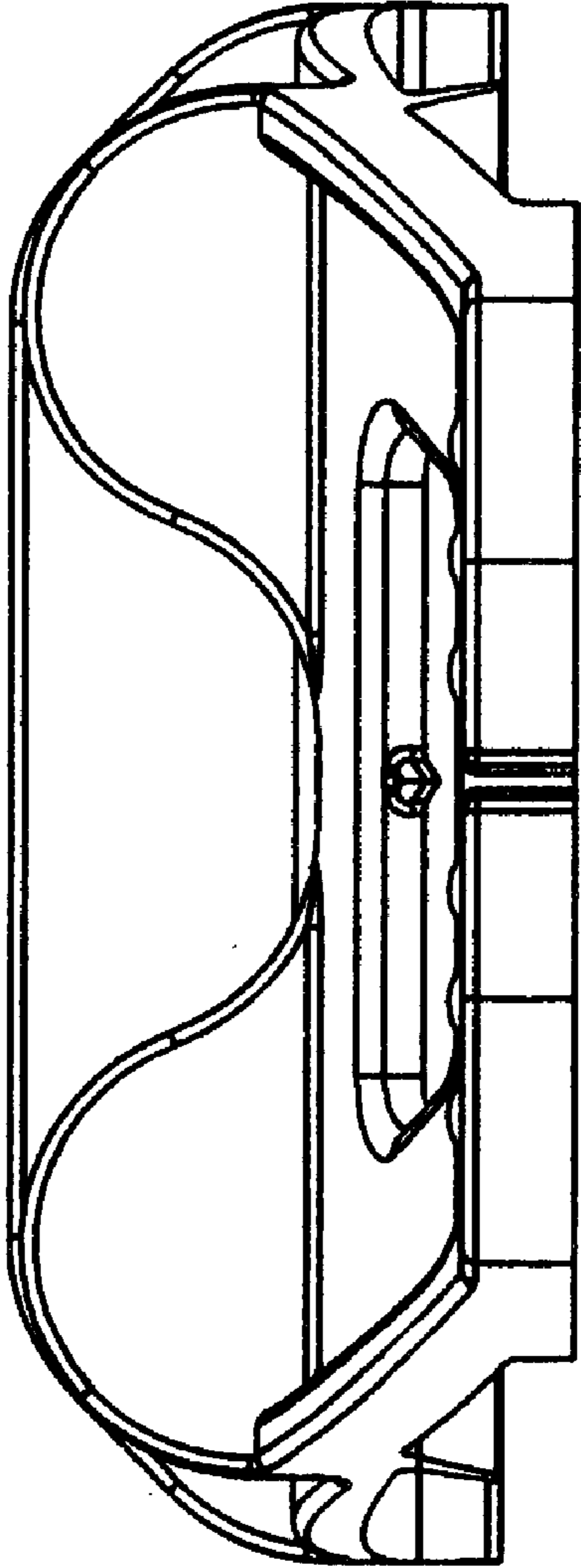


Figure 2

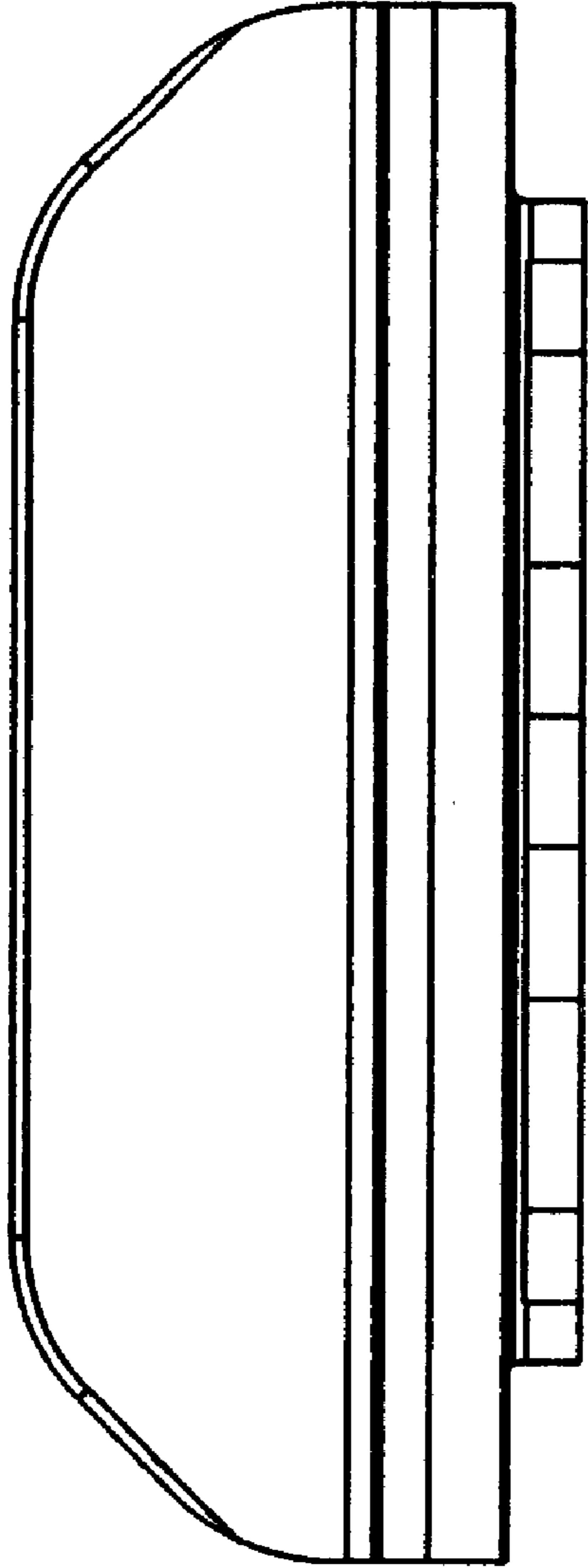


Figure 3

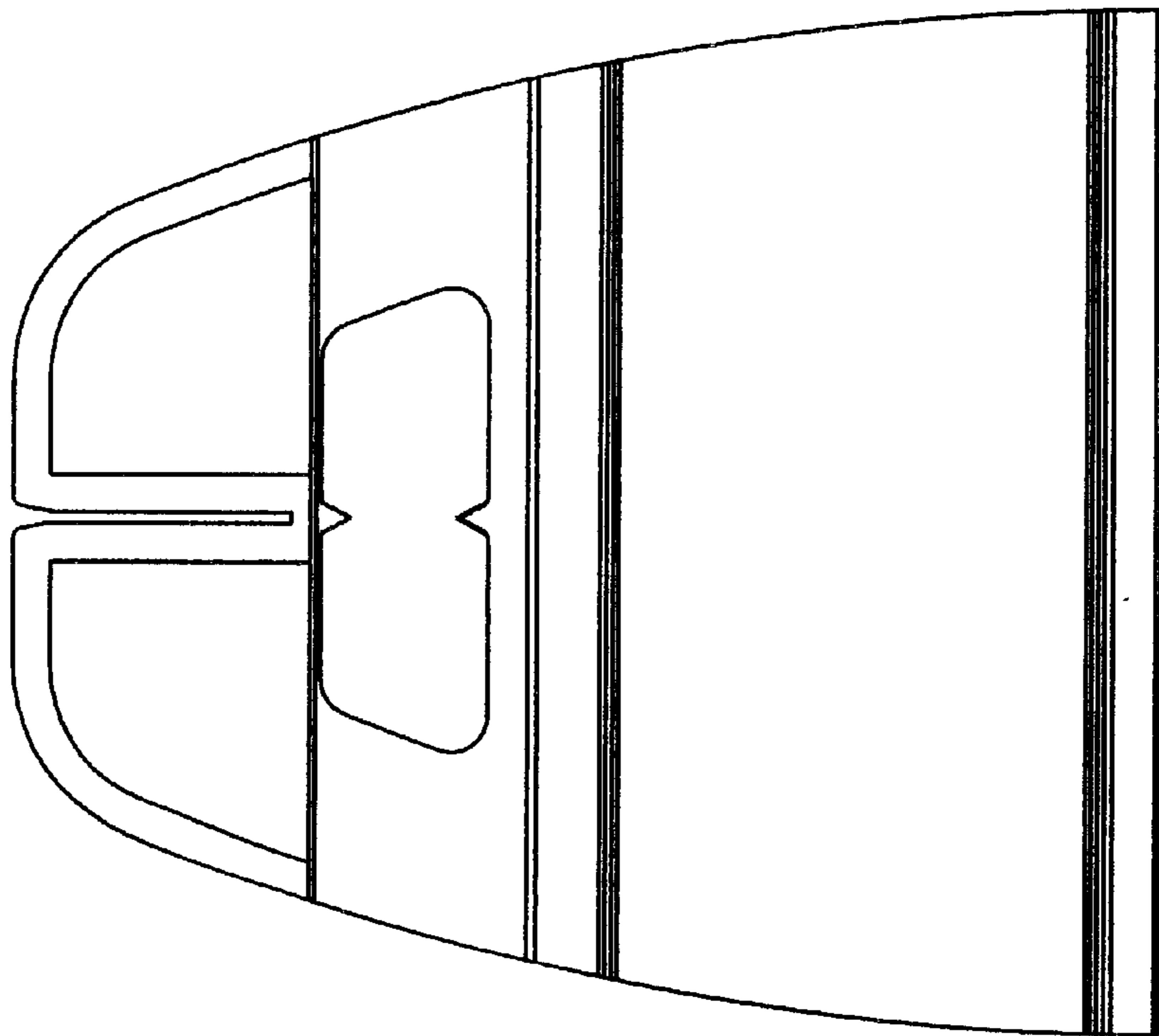


Figure 4

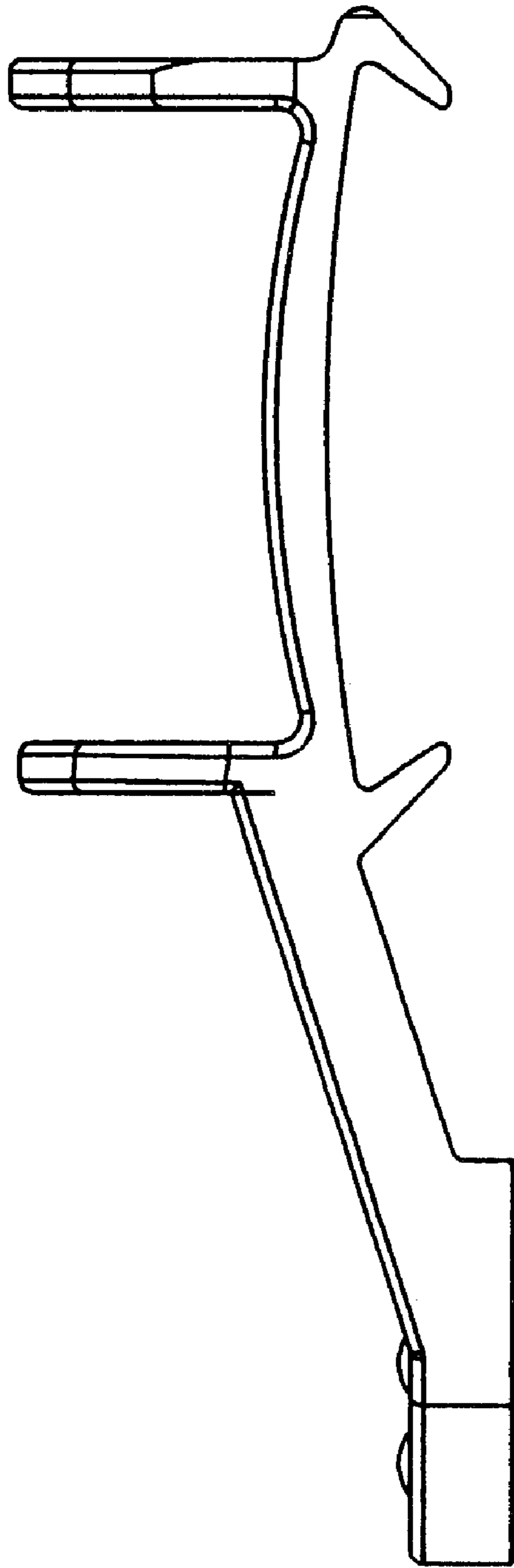


Figure 5

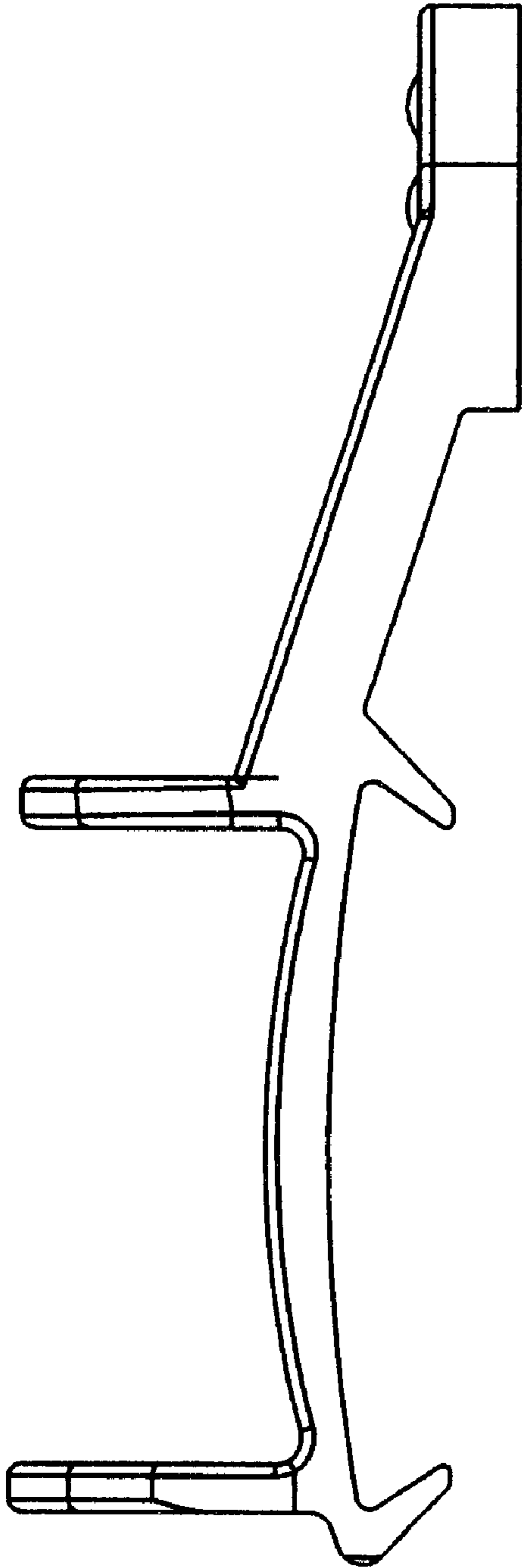


Figure 6

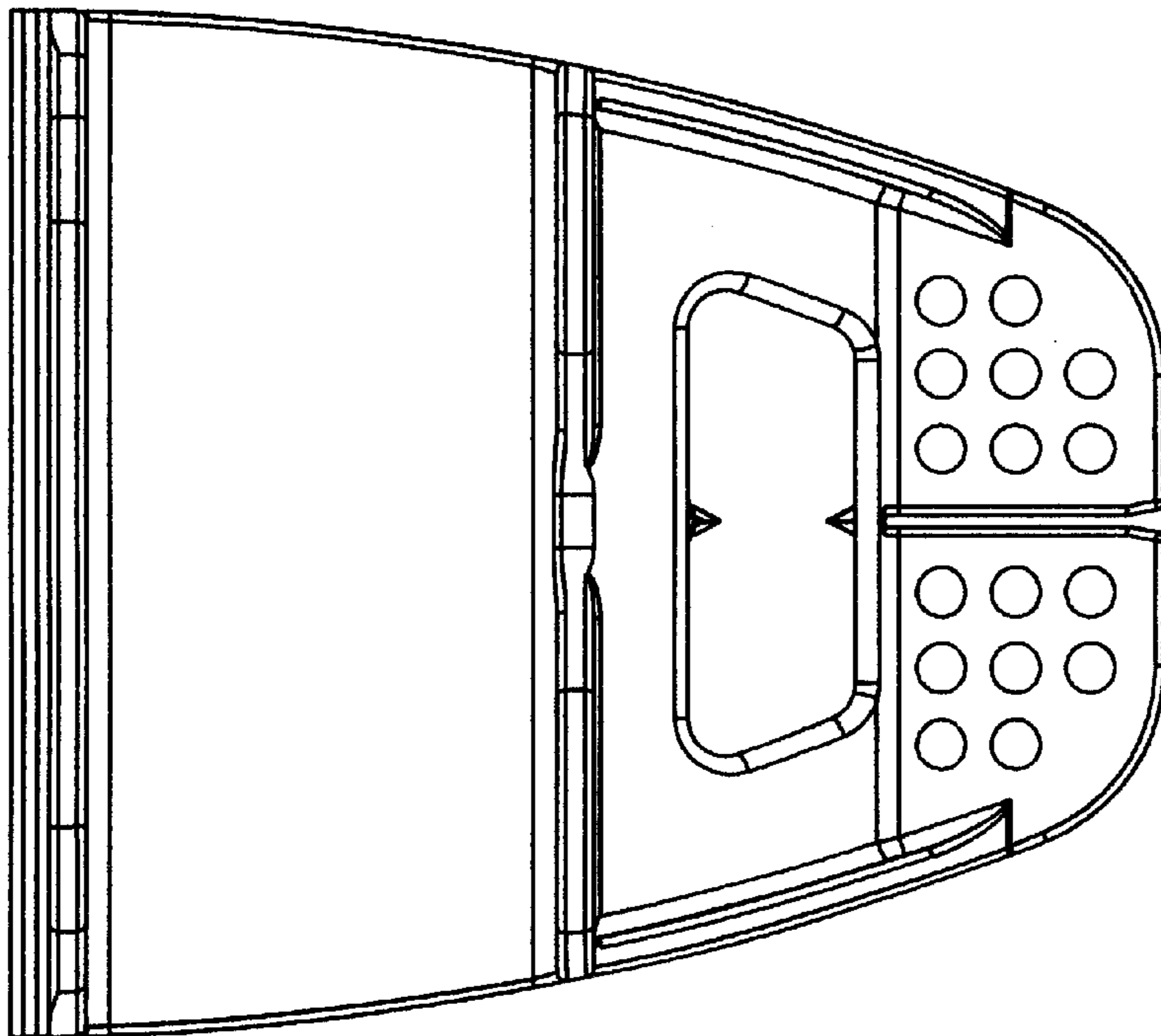


Figure 7