



US00D474701S

(12) **United States Design Patent**  
**Steiner et al.**

(10) **Patent No.: US D474,701 S**

(45) **Date of Patent: \*\* May 20, 2003**

(54) **PORTABLE DEPTH FINDER**

D441,670 S 5/2001 Jackson et al. .... D10/65  
D453,300 S \* 2/2002 Schoenfish et al. .... D10/65  
D453,477 S \* 2/2002 Schoenfish et al. .... D10/65

(75) Inventors: **Mark Steiner**, Alpharetta, GA (US);  
**Wendell Wilson**, Marietta, GA (US);  
**Patrick Spivey**, Atlanta, GA (US);  
**Jared Rudd**, Buford, GA (US); **Darrell Watt**, Marietta, GA (US); **Marty Elnicki**, Atlanta, GA (US)

**OTHER PUBLICATIONS**

Outer Banks Outfitters Boater' World Centers (1999 Master Gear Catalog), Atlantic Station, P.O. Box 3330, Atlantic Beach, NC 28512, cover, pp. 4, 5, 11-15, 17, 18, 20, 21, 23, 30-34, back cover.

(73) Assignee: **Techsonic Industries, Inc.**, Eufala, AL (US)

Bass Pro Shops 2000 Master Catalog, Springfield, MO.

(\*\*) Term: **14 Years**

\* cited by examiner

(21) Appl. No.: **29/161,556**

*Primary Examiner*—Antoine Duval Davis

(22) Filed: **May 30, 2002**

(74) *Attorney, Agent, or Firm*—Baker, Donelson, Bearman & Caldwell

(51) **LOC (7) Cl.** ..... **10-04**

(57) **CLAIM**

(52) **U.S. Cl.** ..... **D10/65**

The ornamental design for a portable depth finder, as shown and described.

(58) **Field of Search** ..... D10/65; 367/111, 367/88-110

**DESCRIPTION**

(56) **References Cited**

FIG. 1 is a perspective view illustrating the portable depth finder of our new design with a display pivoted to an operating position for use;

**U.S. PATENT DOCUMENTS**

D289,265 S	4/1987	Wood et al. ....	D10/46
D296,767 S	7/1988	Wood et al. ....	D10/46
4,829,493 A	5/1989	Bailey .....	367/111
4,873,676 A	10/1989	Bailey et al. ....	367/98
5,099,348 A	3/1992	Huddleston et al. ....	359/143
5,184,330 A	2/1993	Adams et al. ....	367/111
D389,757 S	1/1998	Nishimura et al. ....	D10/65
5,889,493 A	3/1999	Endo .....	342/357
6,019,325 A *	2/2000	Dotson et al. ....	248/121
D422,924 S	4/2000	Bandinelli .....	D10/65
6,222,449 B1	4/2001	Twining .....	340/539

FIG. 2 is a front elevational view of the portable depth finder with the display pivoted to a storage position;

FIG. 3 is a back elevational view thereof;

FIG. 4 is a right side view thereof;

FIG. 5 is a left side view thereof; and

FIG. 6 is a bottom view thereof; and,

FIG. 7 is a top view thereof.

The broken line showing is for illustrative purposes only and forms no part of the claimed design.

**1 Claim, 4 Drawing Sheets**

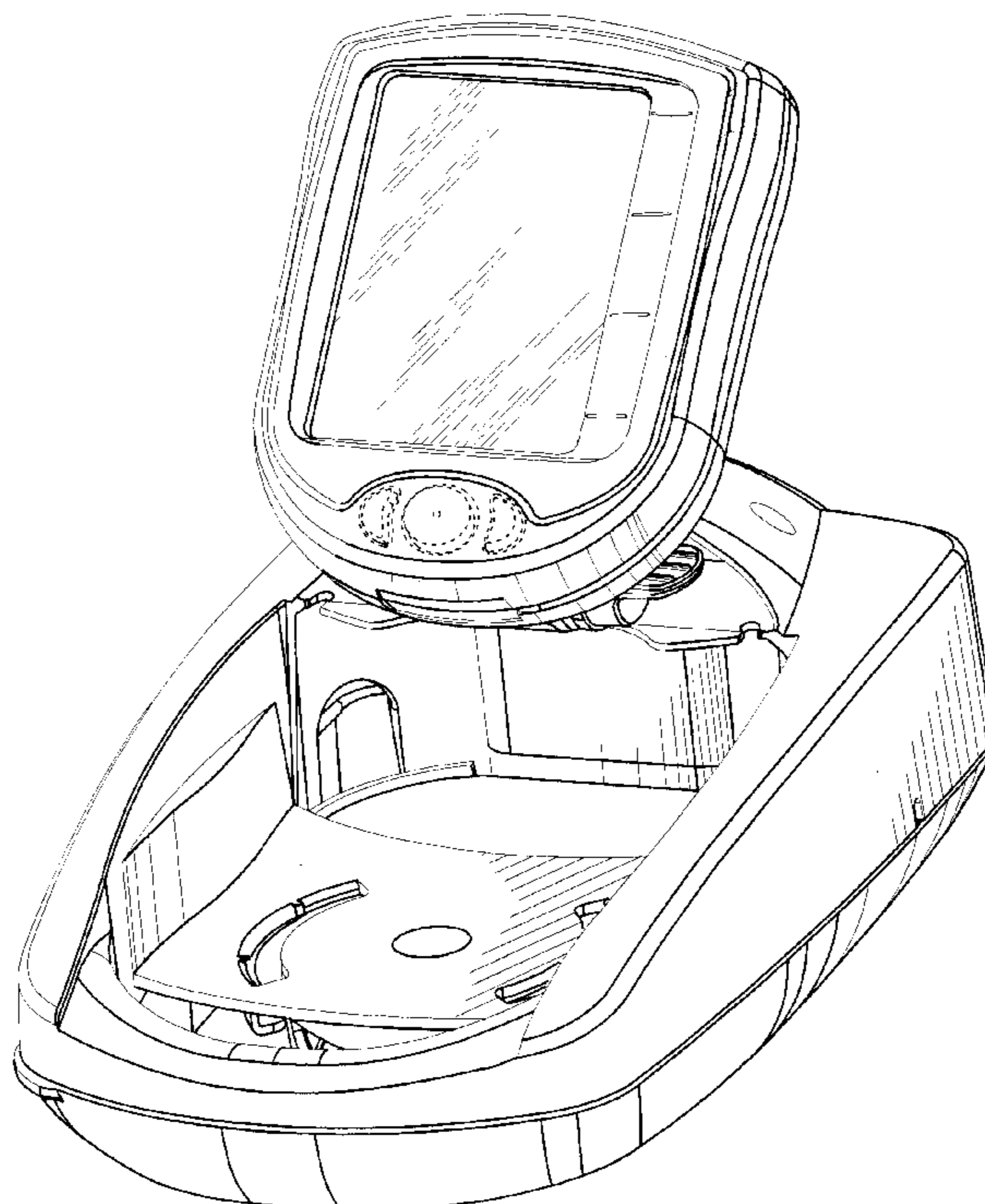


Fig. 1

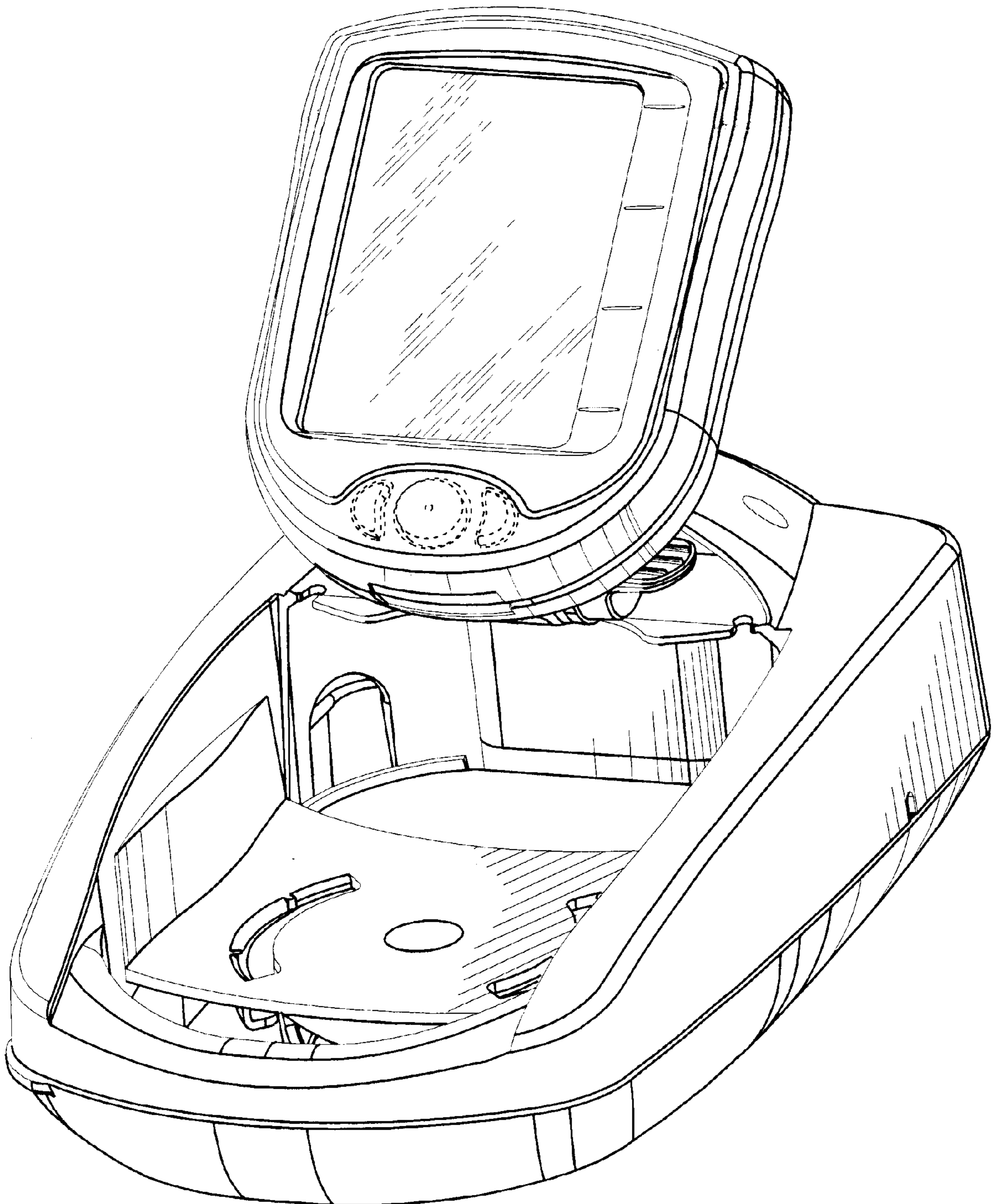


Fig. 3

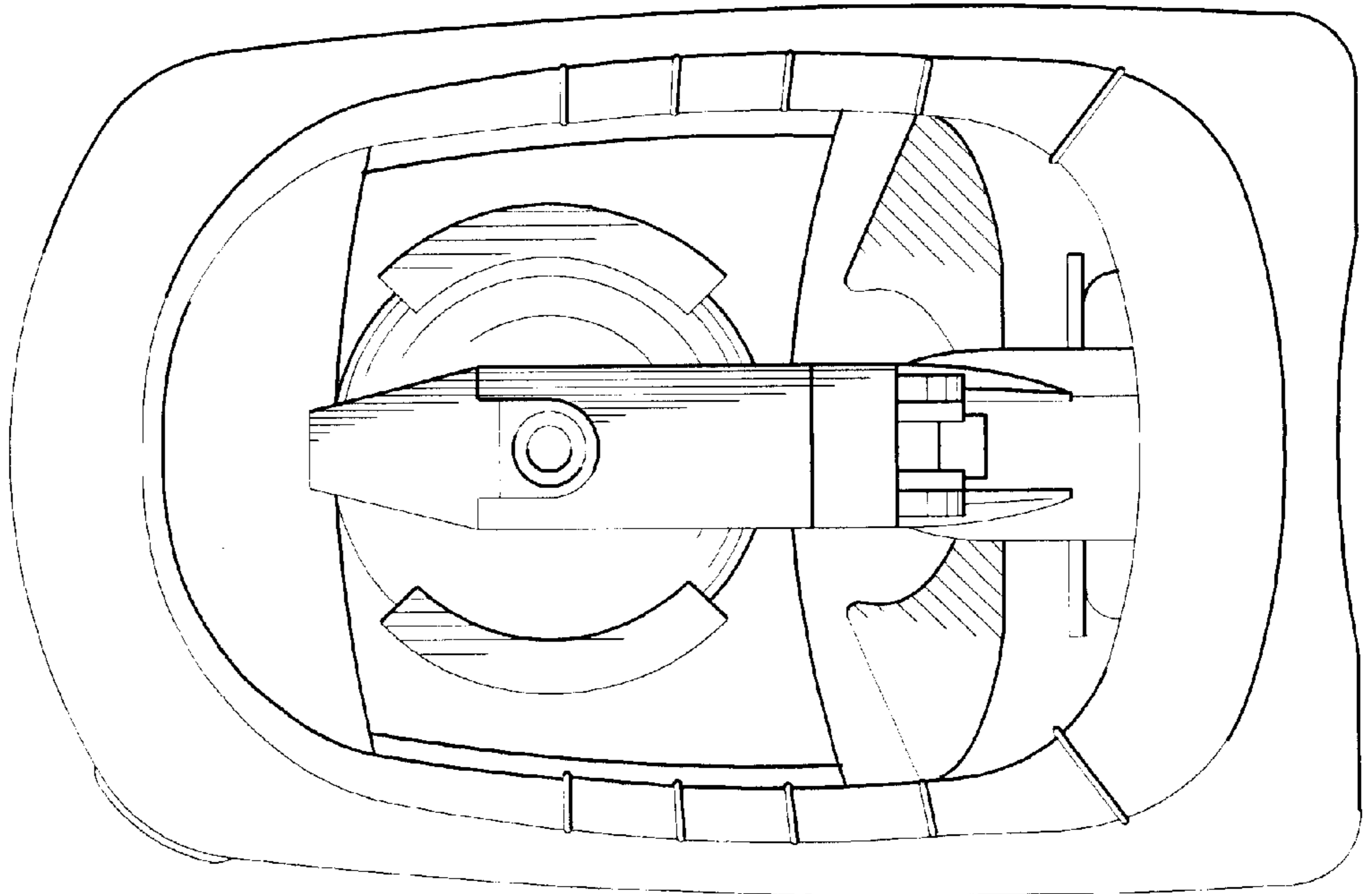


Fig. 2

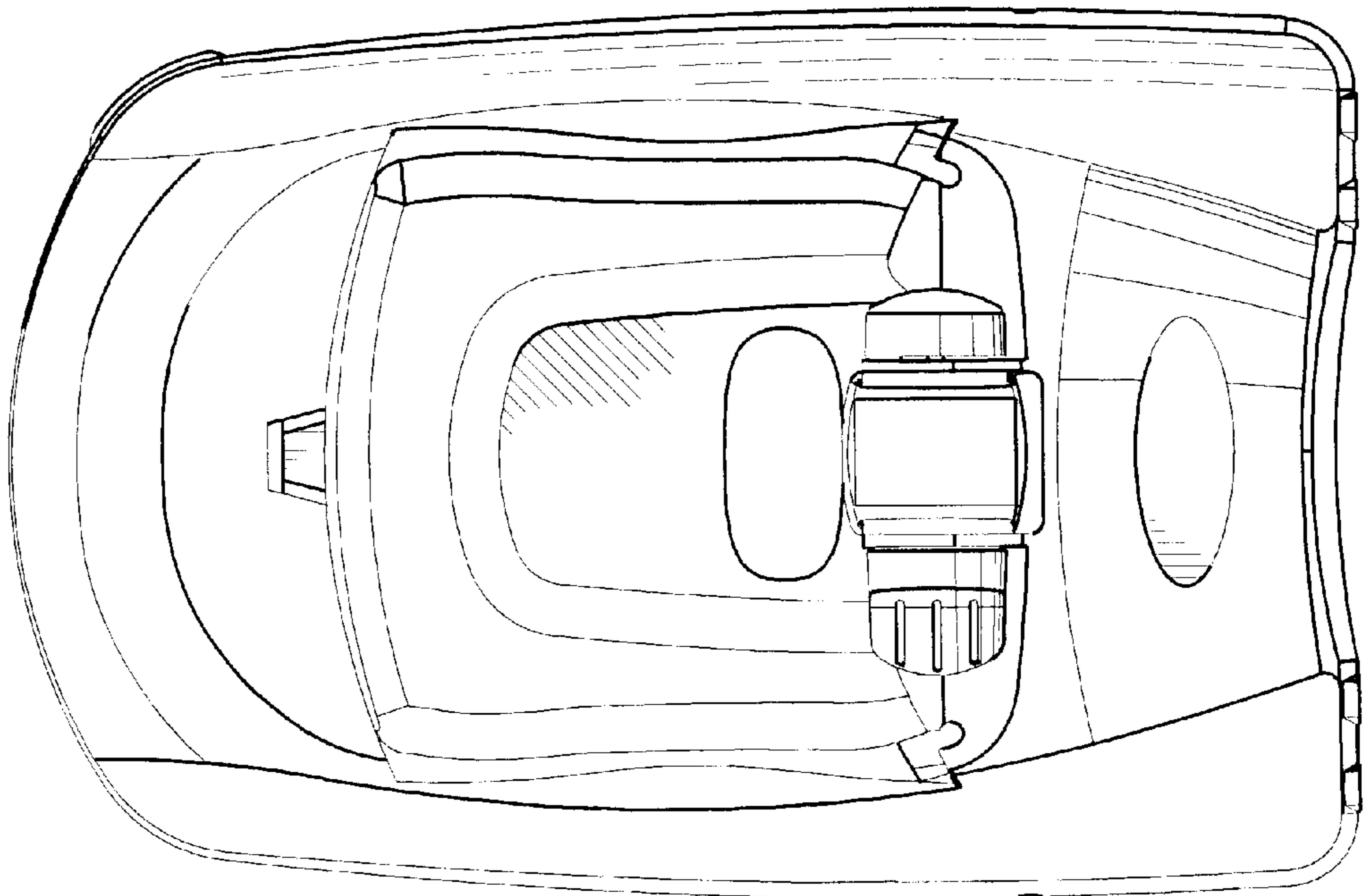


Fig. 5

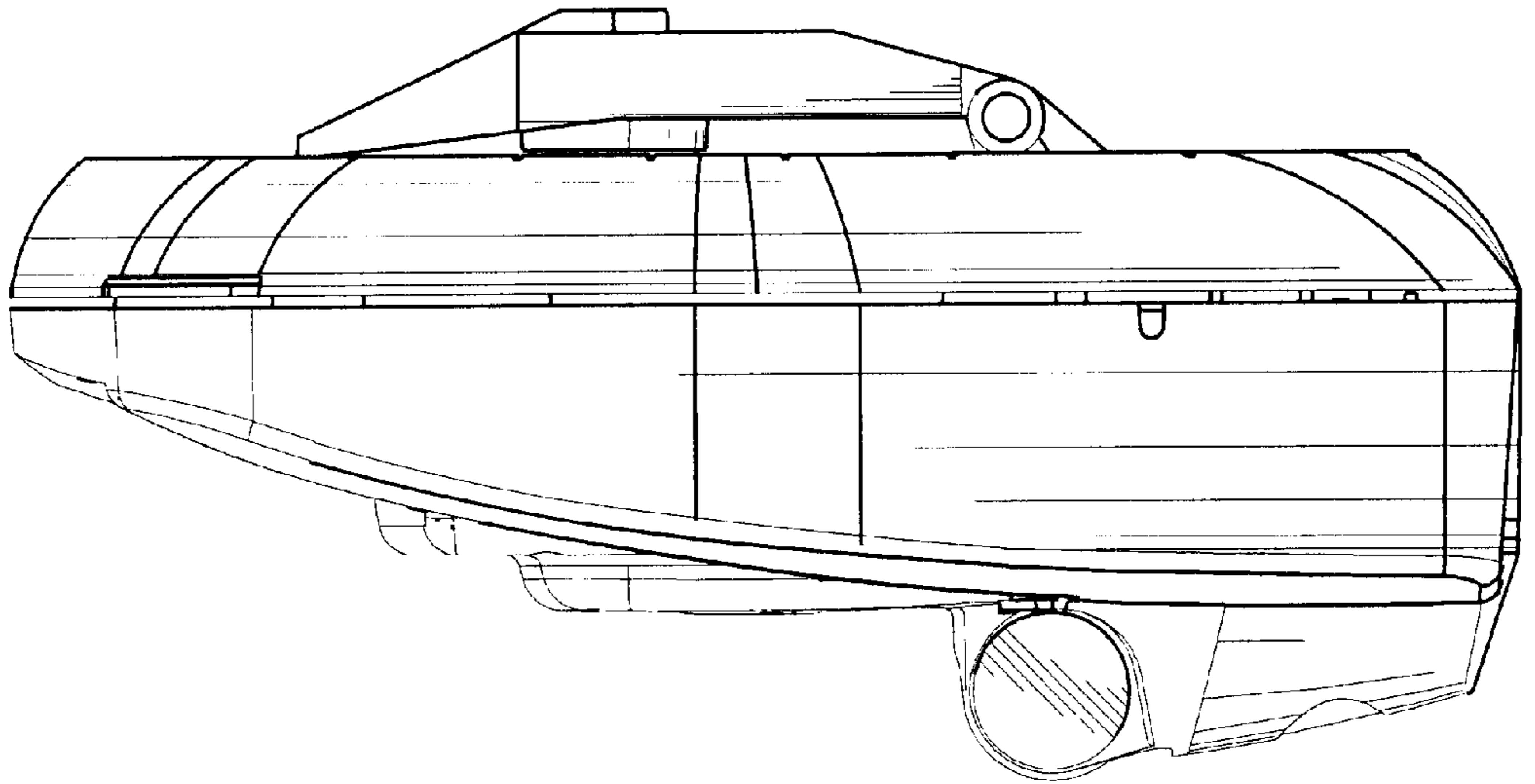


Fig. 4

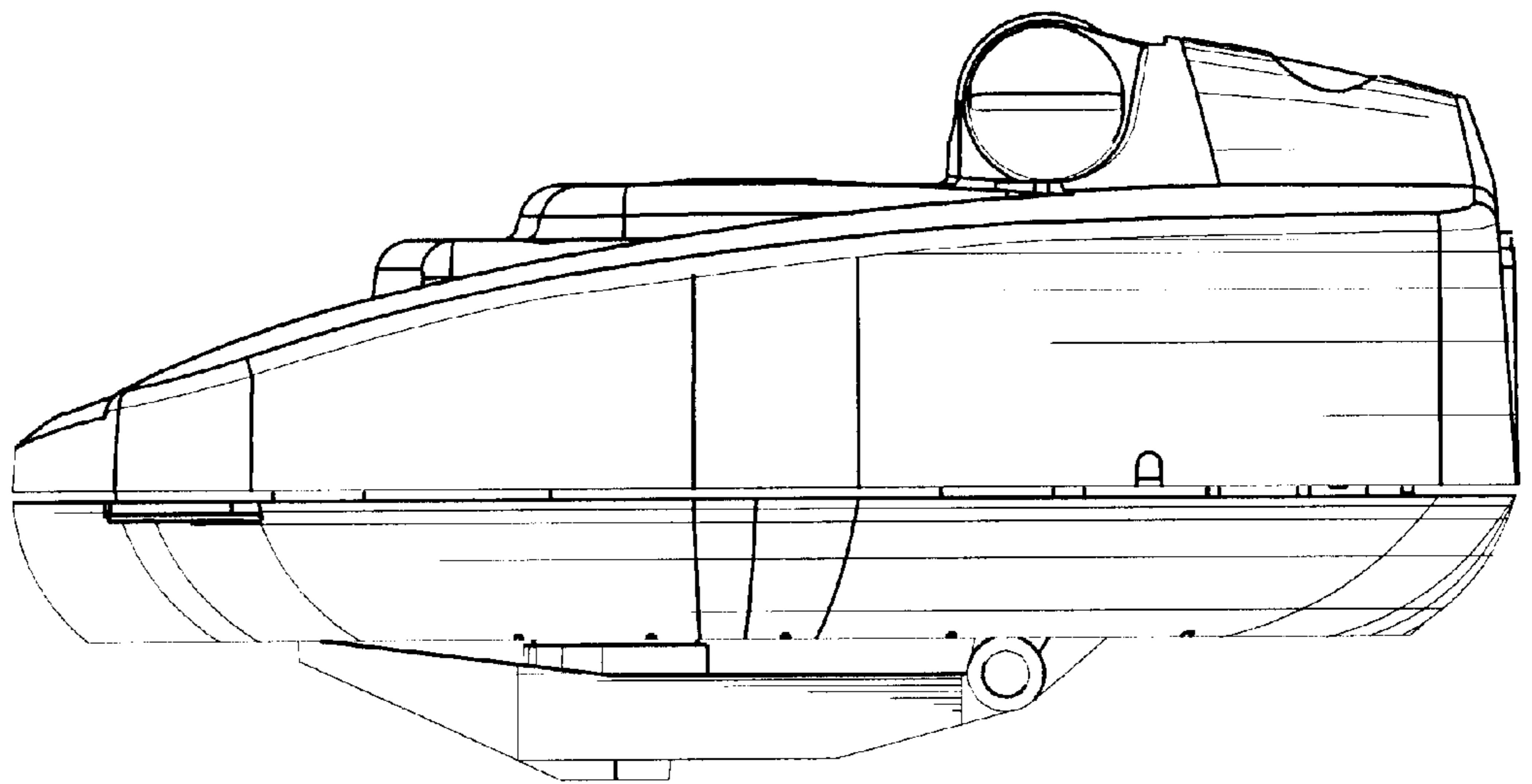


Fig. 6

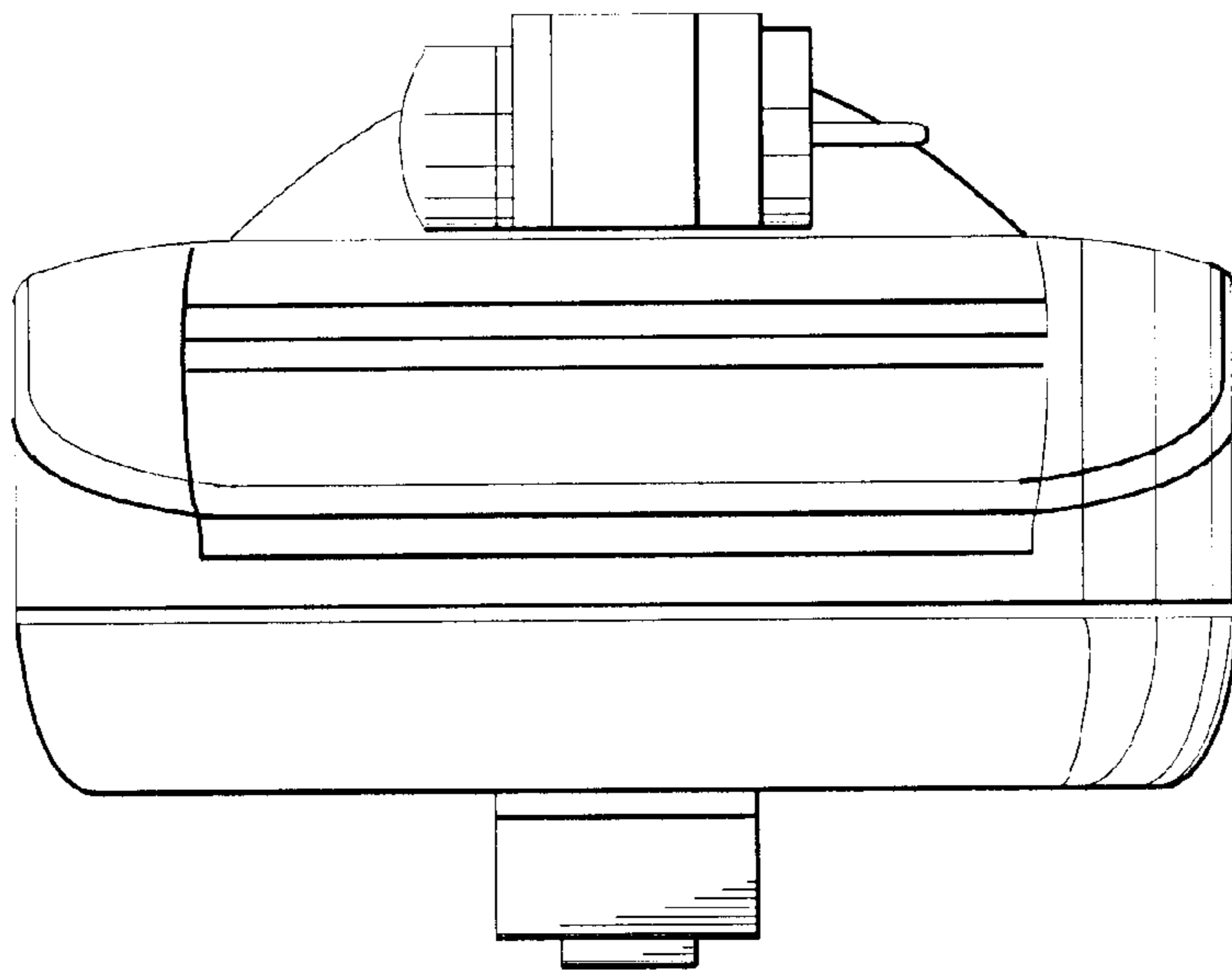


Fig. 7

