



US00D474699S

(12) **United States Design Patent**
Hysek

(10) **Patent No.:** **US D474,699 S**

(45) **Date of Patent:** **** May 20, 2003**

(54) **WATCH CASE**

(75) **Inventor:** **Jorg Hysek, Monaco (MC)**

(73) **Assignee:** **Damiani International B.V., Manno (CH)**

(**) **Term:** **14 Years**

(21) **Appl. No.:** **29/159,768**

(22) **Filed:** **Apr. 25, 2002**

(30) **Foreign Application Priority Data**

Nov. 2, 2001 (XH) DM/058 922

(51) **LOC (7) Cl.** **10-02**

(52) **U.S. Cl.** **D10/30**

(58) **Field of Search** D10/30-39; 368/280-282,
368/276-277, 285

(56) **References Cited**

U.S. PATENT DOCUMENTS

D390,479 S * 2/1998 Brandys et al. D10/39
D390,789 S * 2/1998 Sugita et al. D10/30

D395,403 S * 6/1998 Hysek D10/30
D396,416 S * 7/1998 Sugita et al. D10/30
D401,159 S * 11/1998 Sugita et al. D10/30
D455,084 S * 4/2002 Mauboussin D10/39
D462,623 S * 9/2002 Fujihara D10/30

* cited by examiner

Primary Examiner—Nelson C. Holtje

(74) *Attorney, Agent, or Firm*—Steinberg & Raskin, P.C.

(57) **CLAIM**

I claim the ornamental design for a watch case, as shown.

DESCRIPTION

FIG. 1 is a perspective top view of the watch case showing my new design;

FIG. 2 is a top view thereof;

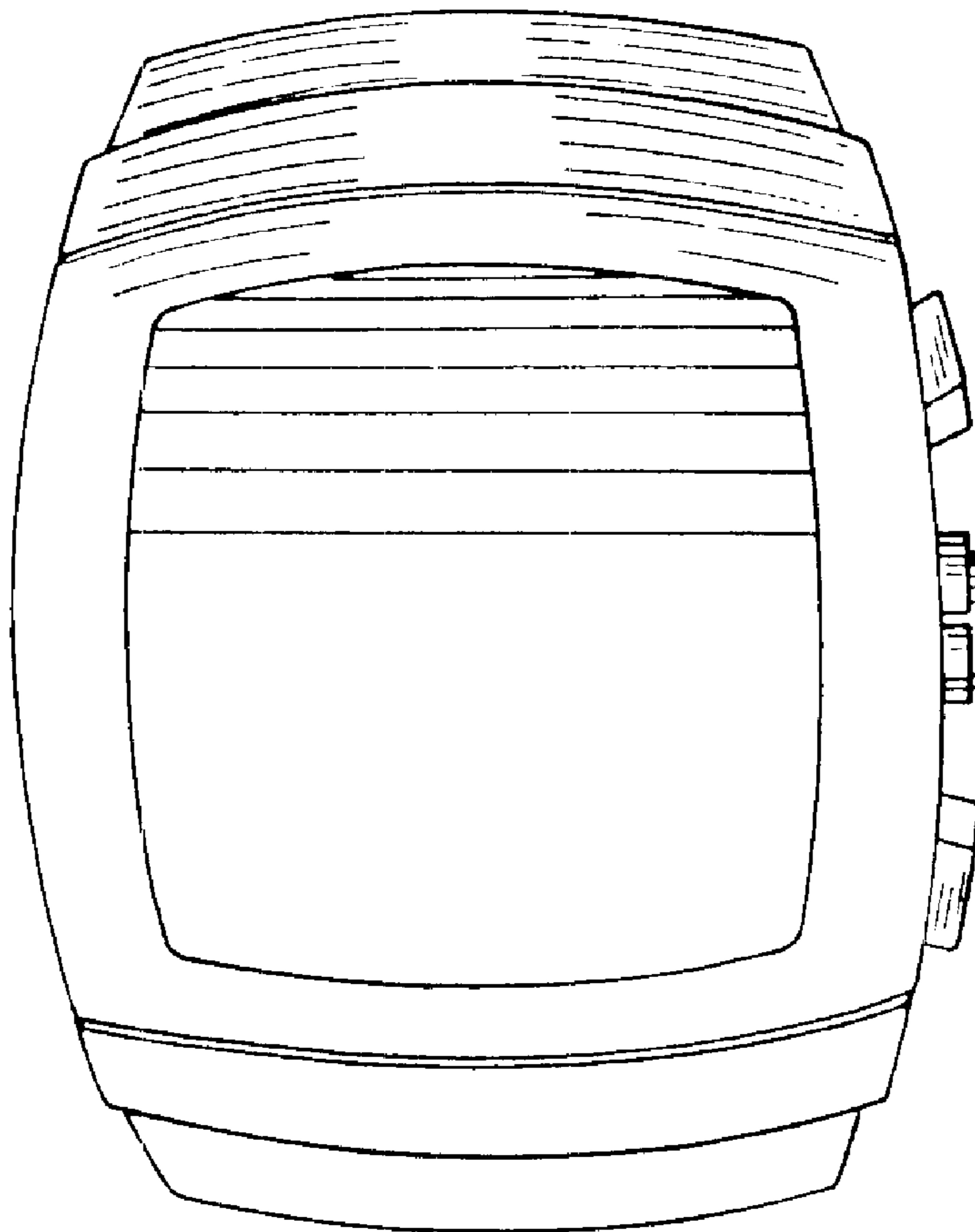
FIG. 3 is a right side view thereof;

FIG. 4 is a left side view thereof;

FIG. 5 is a rear view thereof; the front view being substantially the same; and,

FIG. 6 is a bottom view thereof.

1 Claim, 2 Drawing Sheets



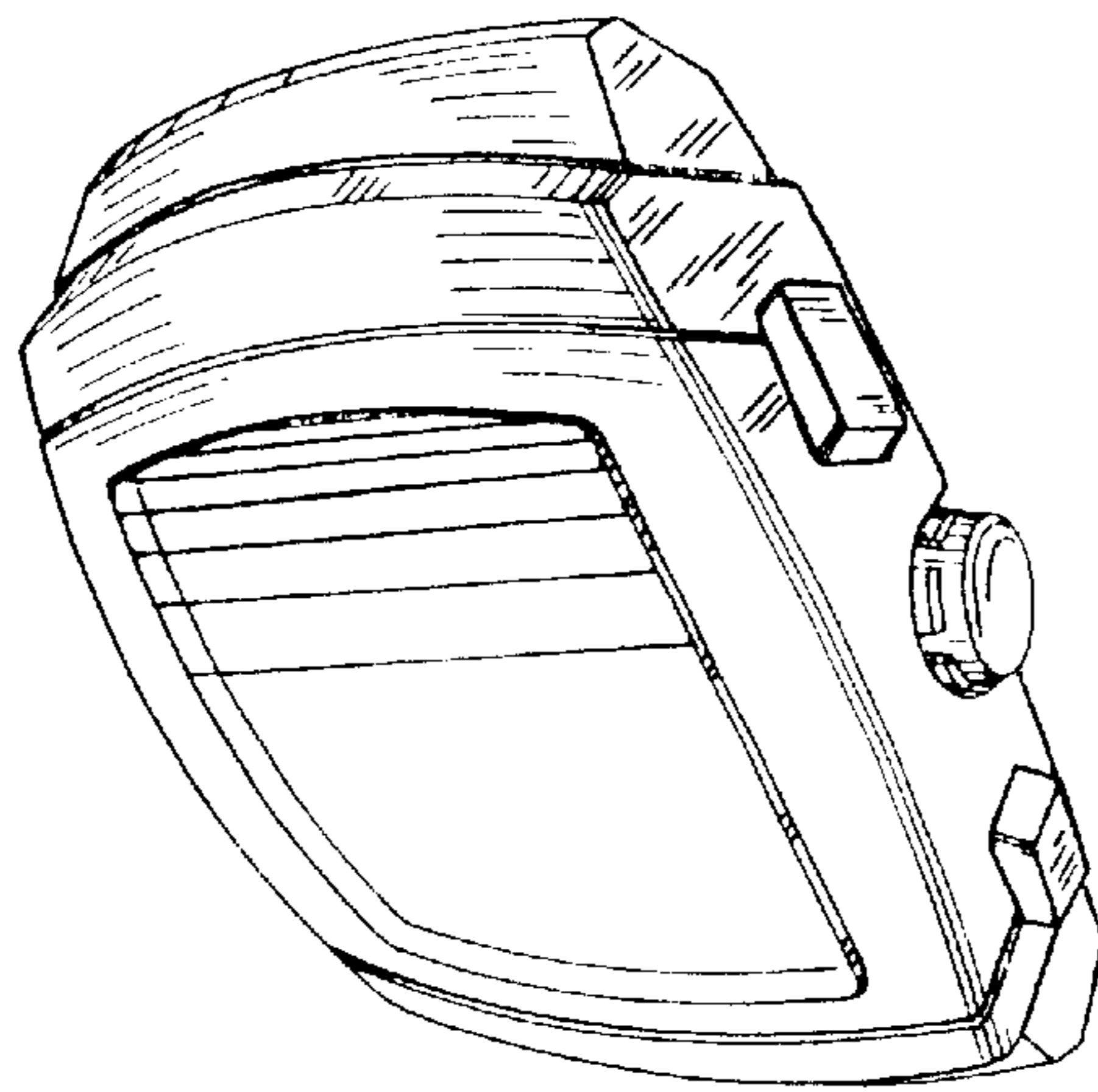


FIG. 1.

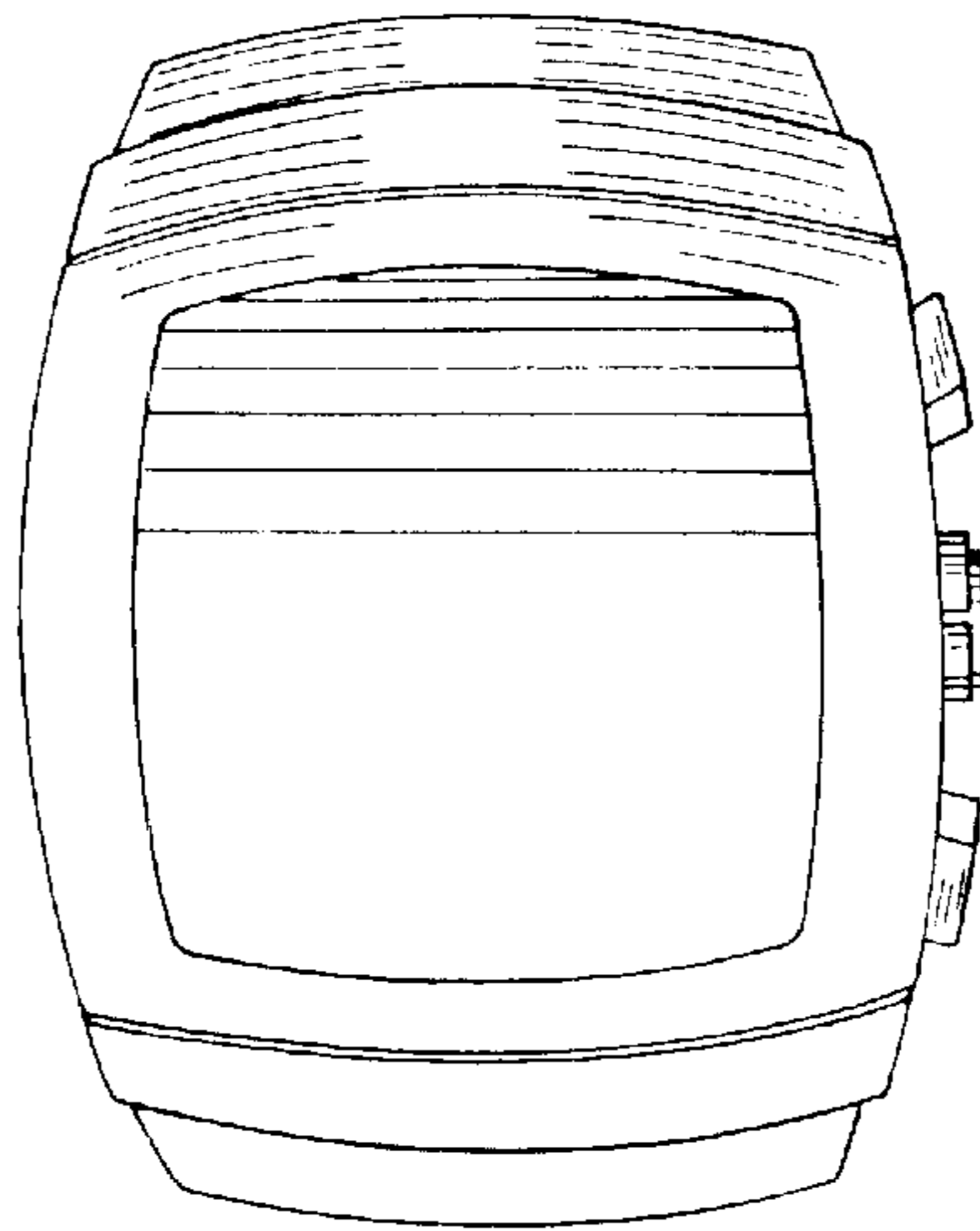


FIG. 2.

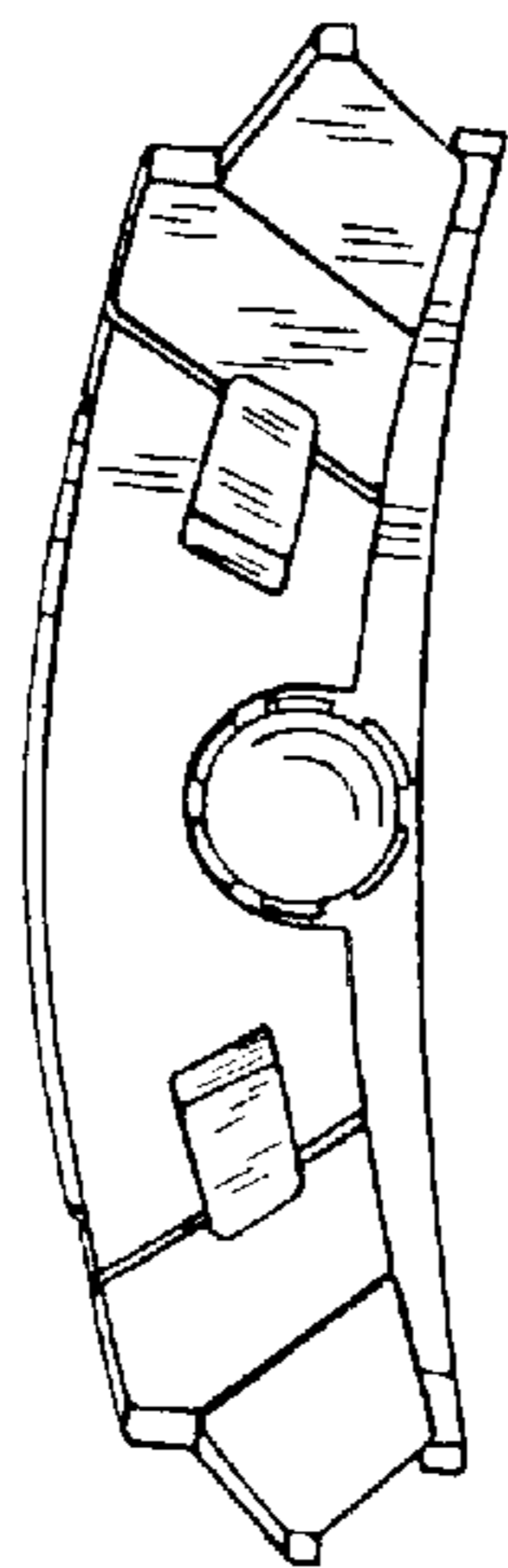


FIG. 3.

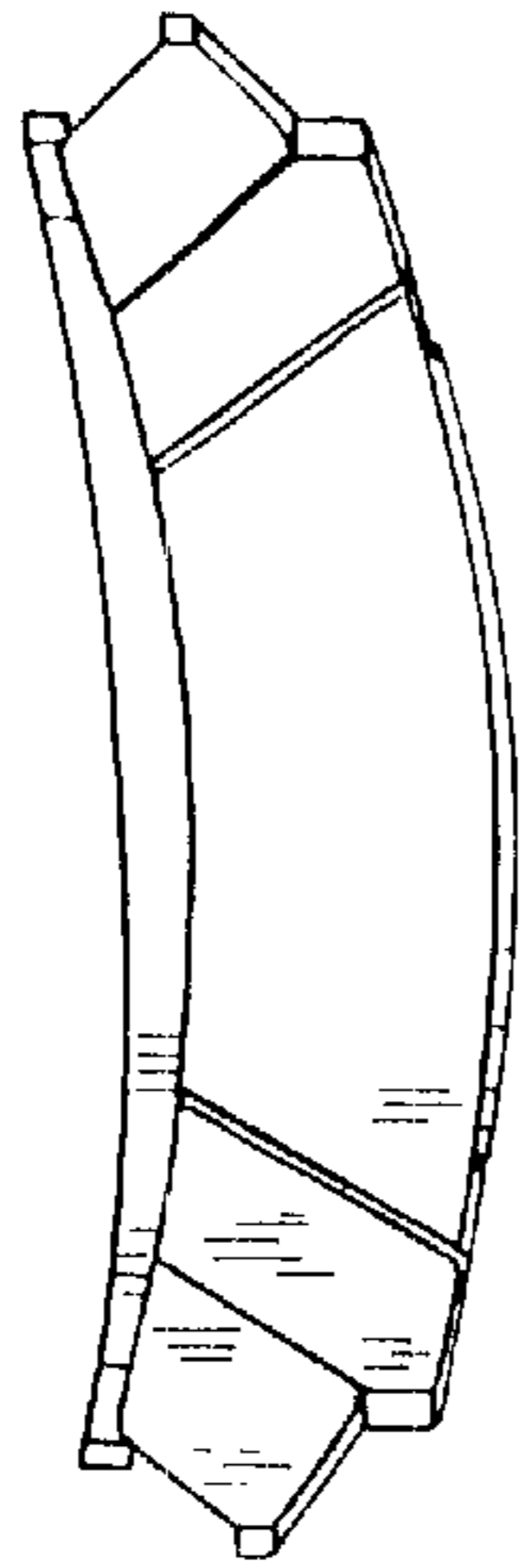


FIG. 4

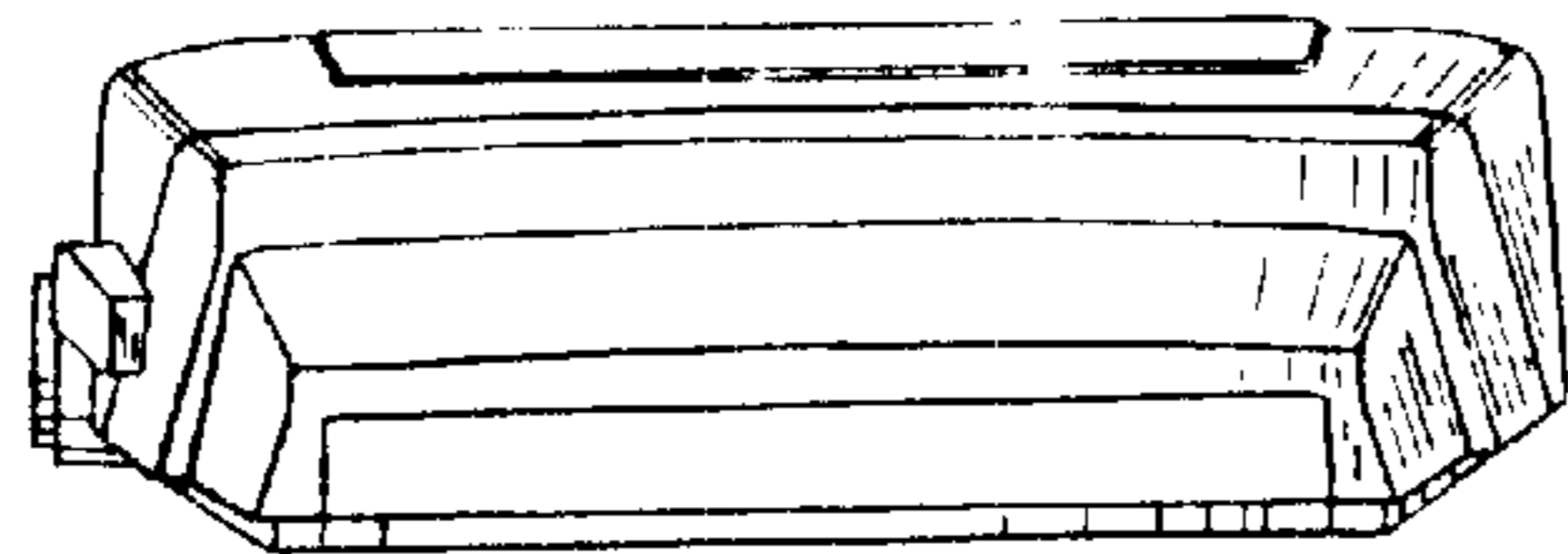


FIG. 5

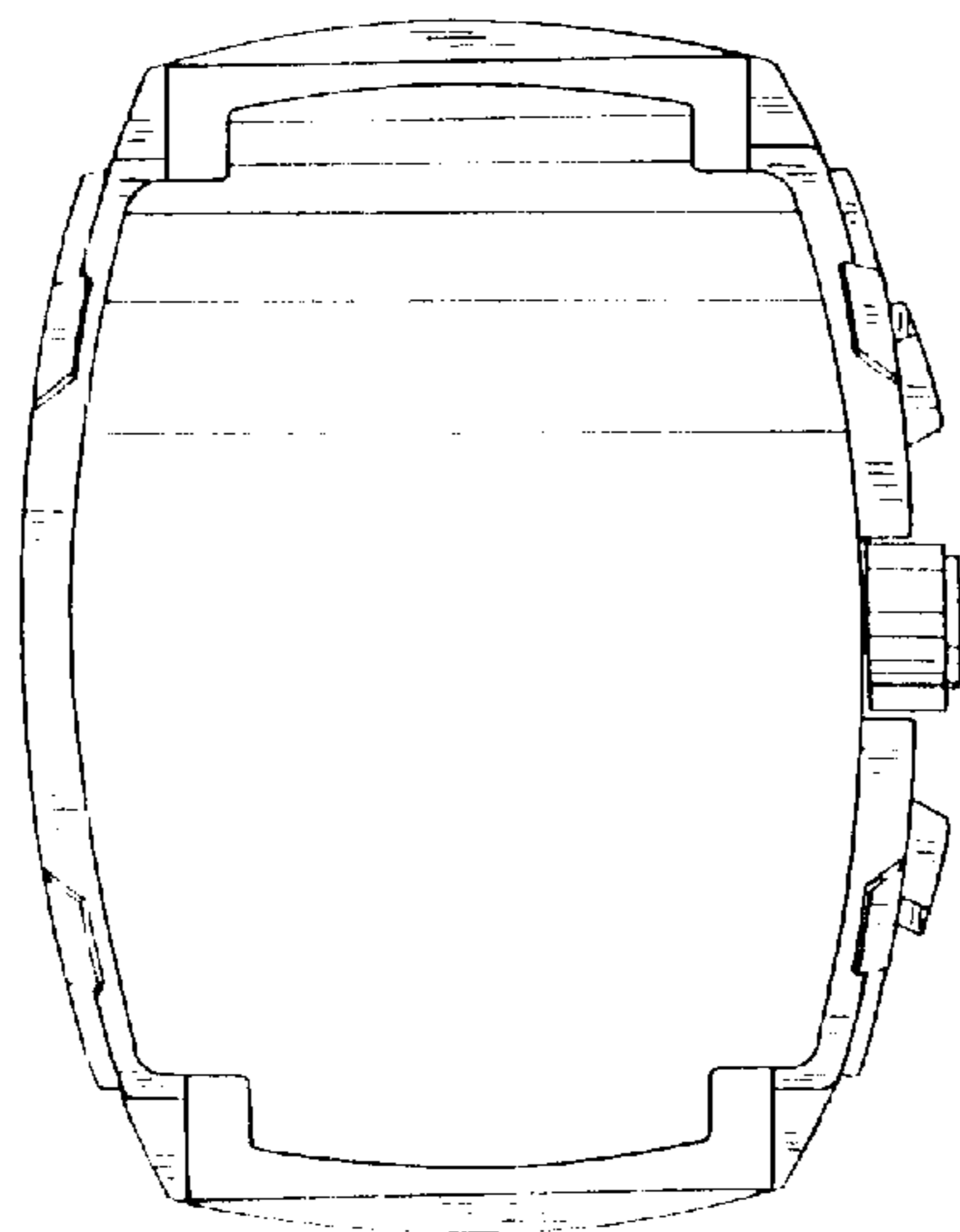


FIG. 6