



US00D474698S

(12) **United States Design Patent**
Parmigiani

(10) **Patent No.:** **US D474,698 S**

(45) **Date of Patent:** **** May 20, 2003**

(54) **WATCH CASE**

D462,281 S * 9/2002 Wunderman D10/39

(75) Inventor: **Michel Parmigiani**, Fleurier (CH)

OTHER PUBLICATIONS

(73) Assignee: **Parmigiani Mesure et Art du Temps SA**, Fleurier (CH)

Jeweler's Circular-Keystone-May 1975-p. 94-watch at bottom-left.*

Swiss Watch & Jewelry Journal-Feb. 1978-p. 273-watch at bottom-left.*

(**) Term: **14 Years**

* cited by examiner

(21) Appl. No.: **29/158,633**

Primary Examiner—Nelson C Holtje

(22) Filed: **Apr. 5, 2002**

(57) **CLAIM**

(51) **LOC (7) Cl.** **10-02**

(52) **U.S. Cl.** **D10/30**

(58) **Field of Search** D10/30-39; 368/280-282, 368/276-277, 285

I claim the ornamental design for a watch case, as shown and described.

DESCRIPTION

(56) **References Cited**

FIG. 1 is a right side view of the new watch case of the present invention;

FIG. 2 is a bottom elevation view thereof;

FIG. 3 is a front view thereof;

FIG. 4 is a top elevation view thereof;

FIG. 5 is a right front perspective view thereof;

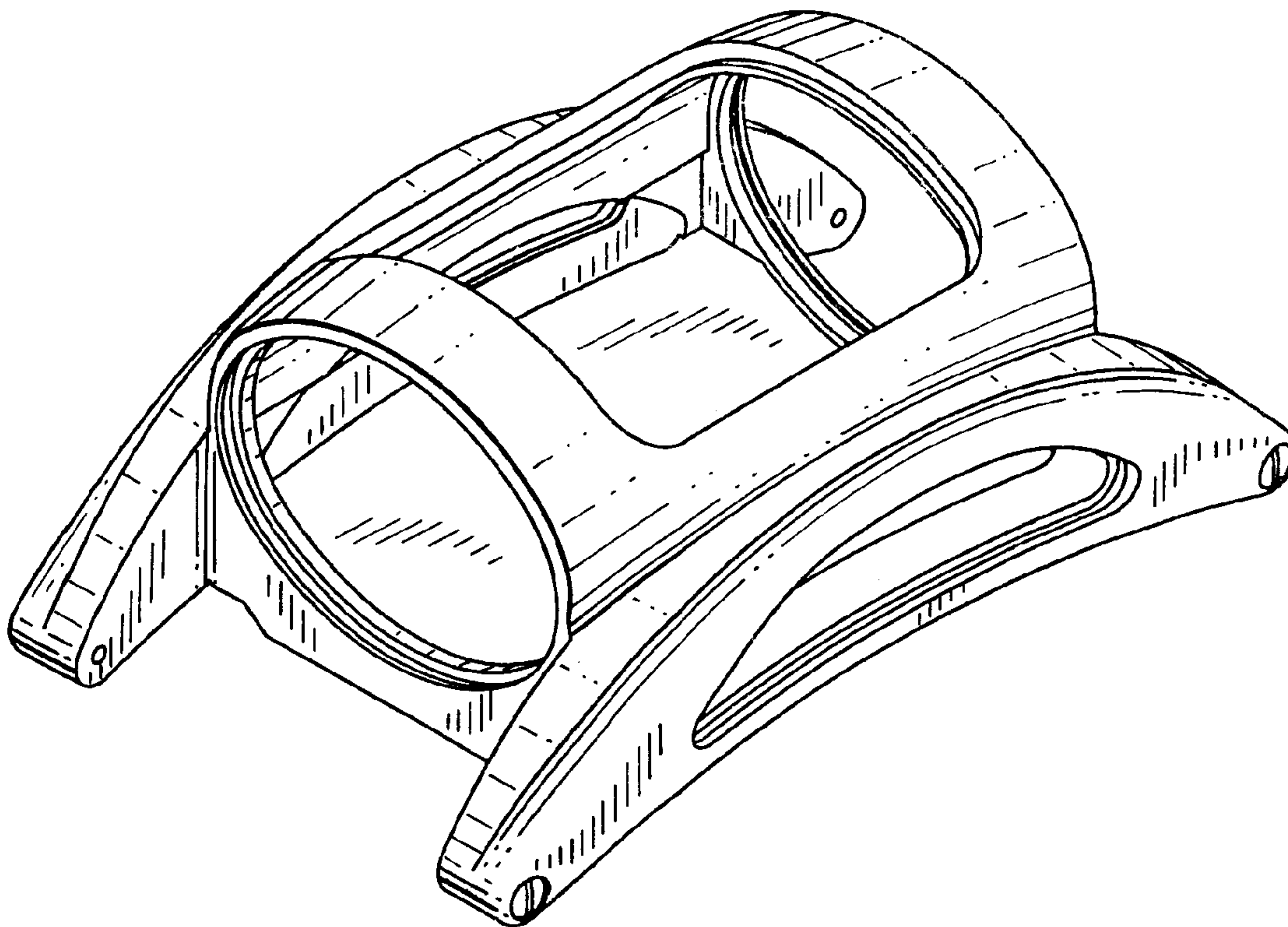
FIG. 6 is a left side view thereof; and,

FIG. 7 is a rear view thereof.

U.S. PATENT DOCUMENTS

D266,908 S	*	11/1982	Schwab et al.	D10/39
D267,931 S	*	2/1983	Schwab et al.	D10/39
D431,476 S	*	10/2000	Tanaka	D10/32
D435,461 S	*	12/2000	So	D10/31
D454,077 S	*	3/2002	Riley	D10/32
D458,544 S	*	6/2002	Inoue	D10/32
D460,003 S	*	7/2002	Jamin	D10/32

1 Claim, 2 Drawing Sheets



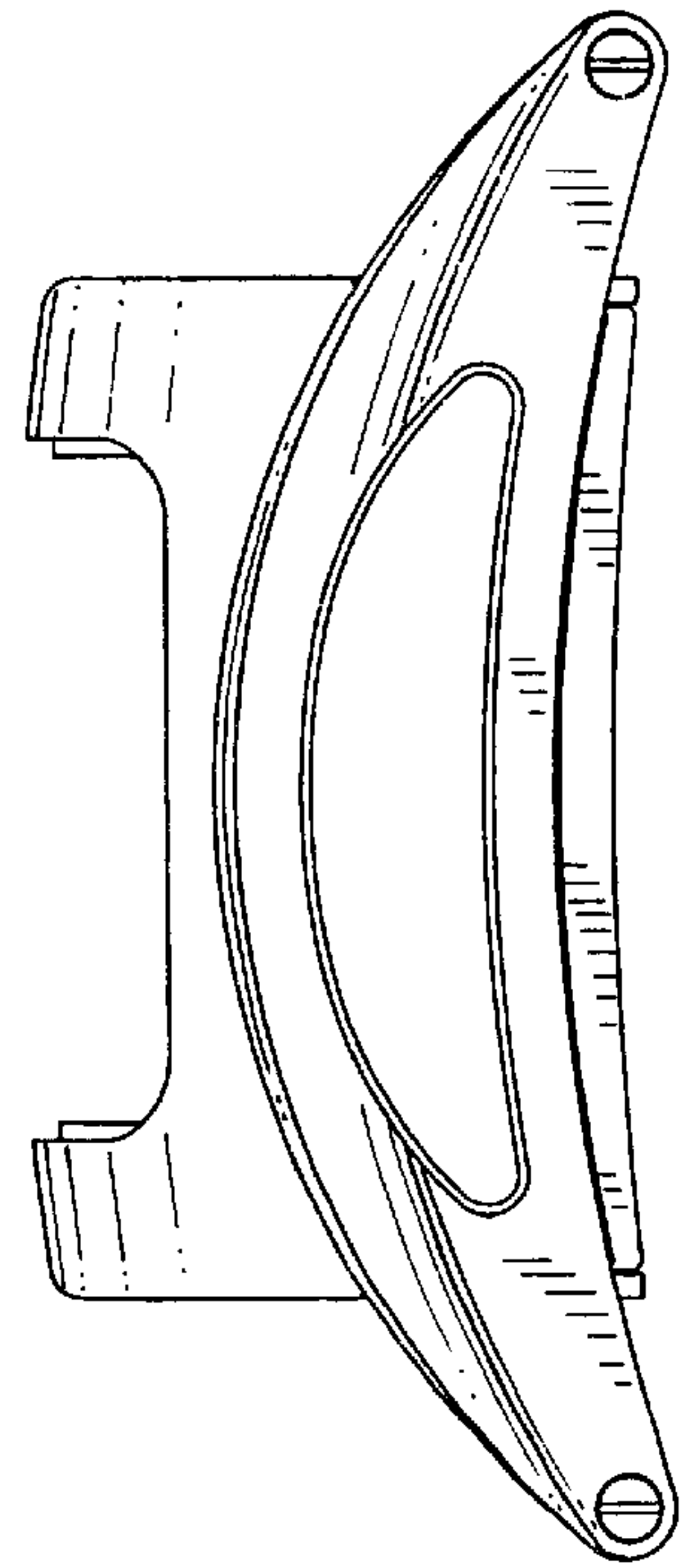


FIG. 1

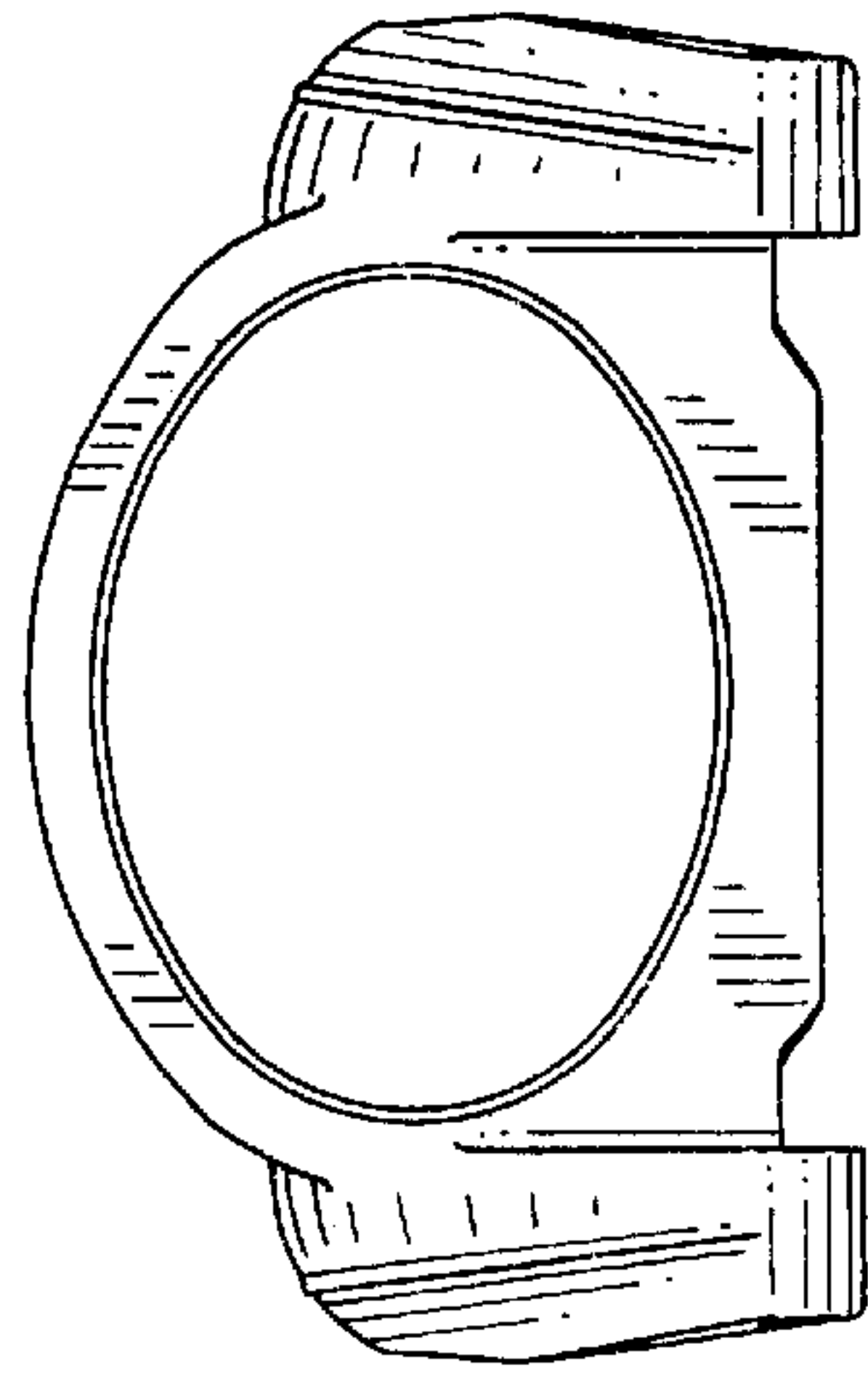


FIG. 3

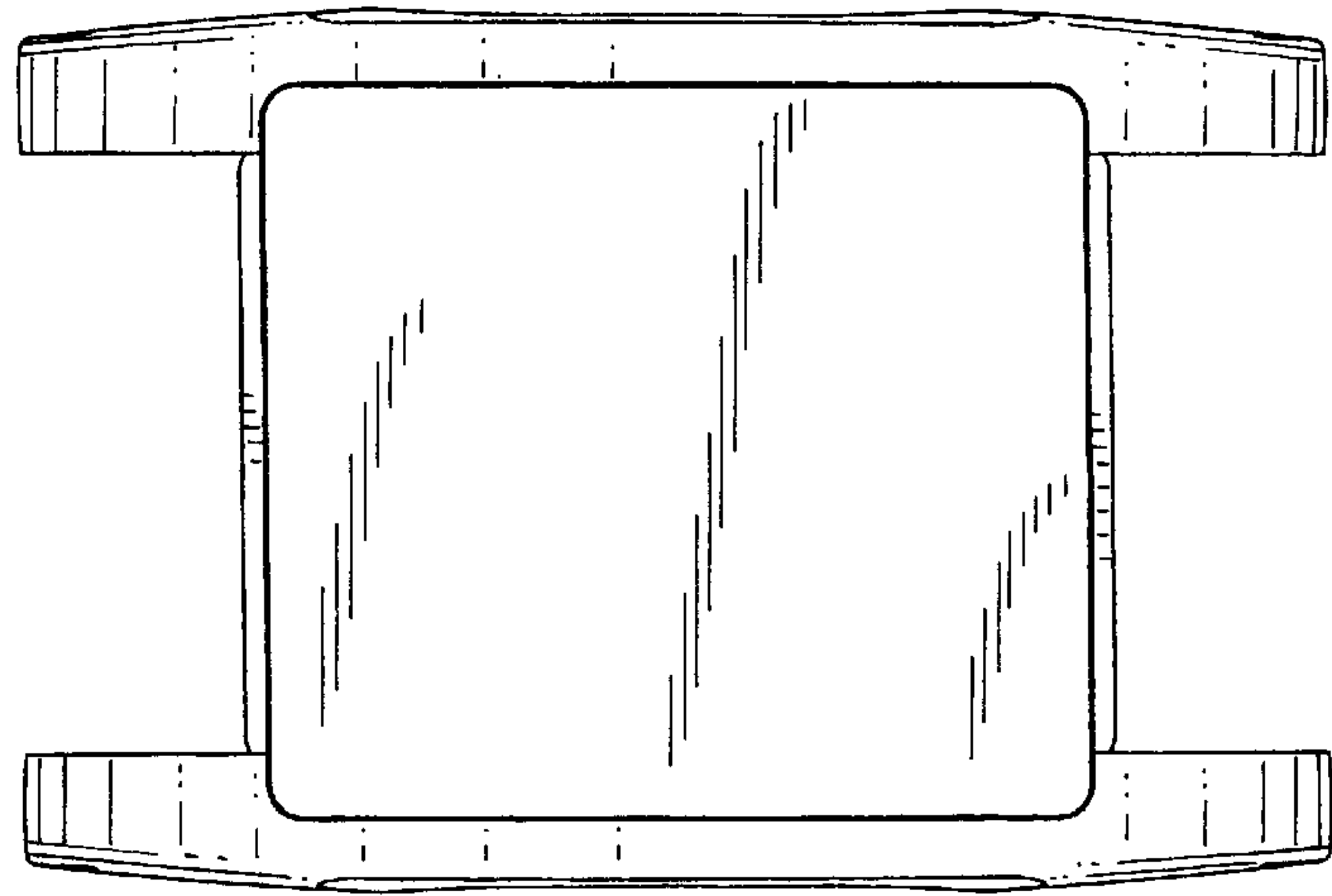


FIG. 2

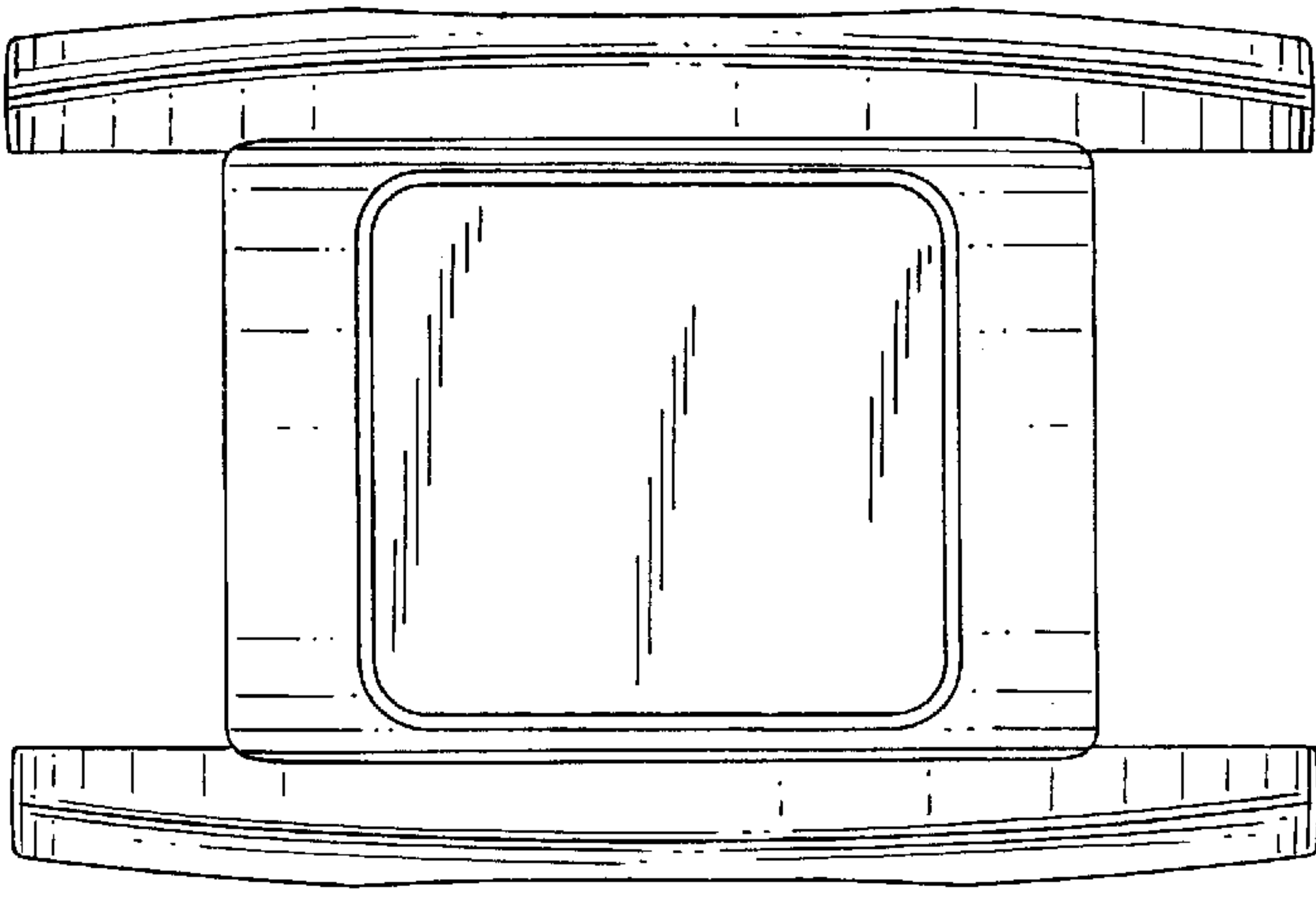


FIG. 4

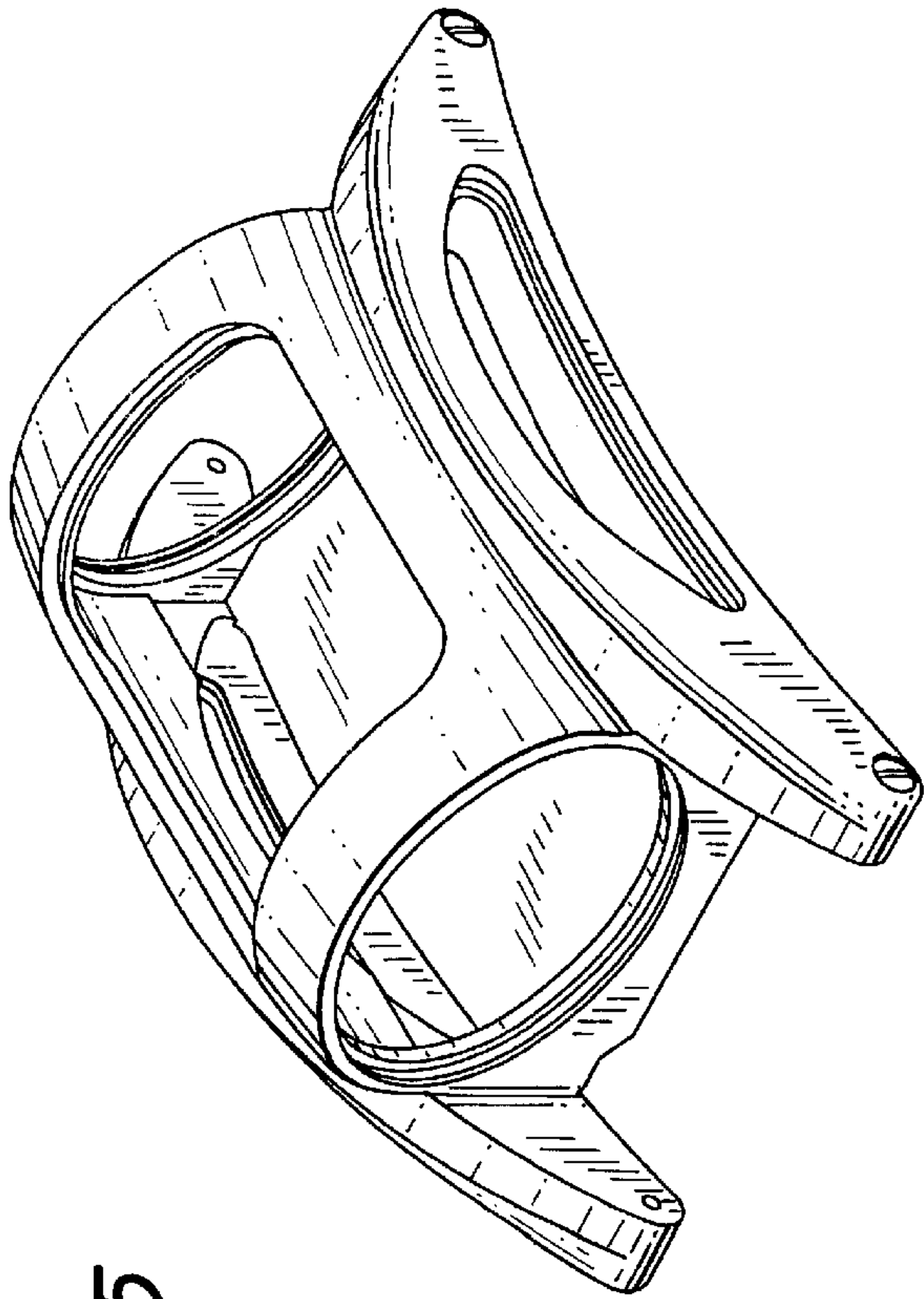


FIG. 5

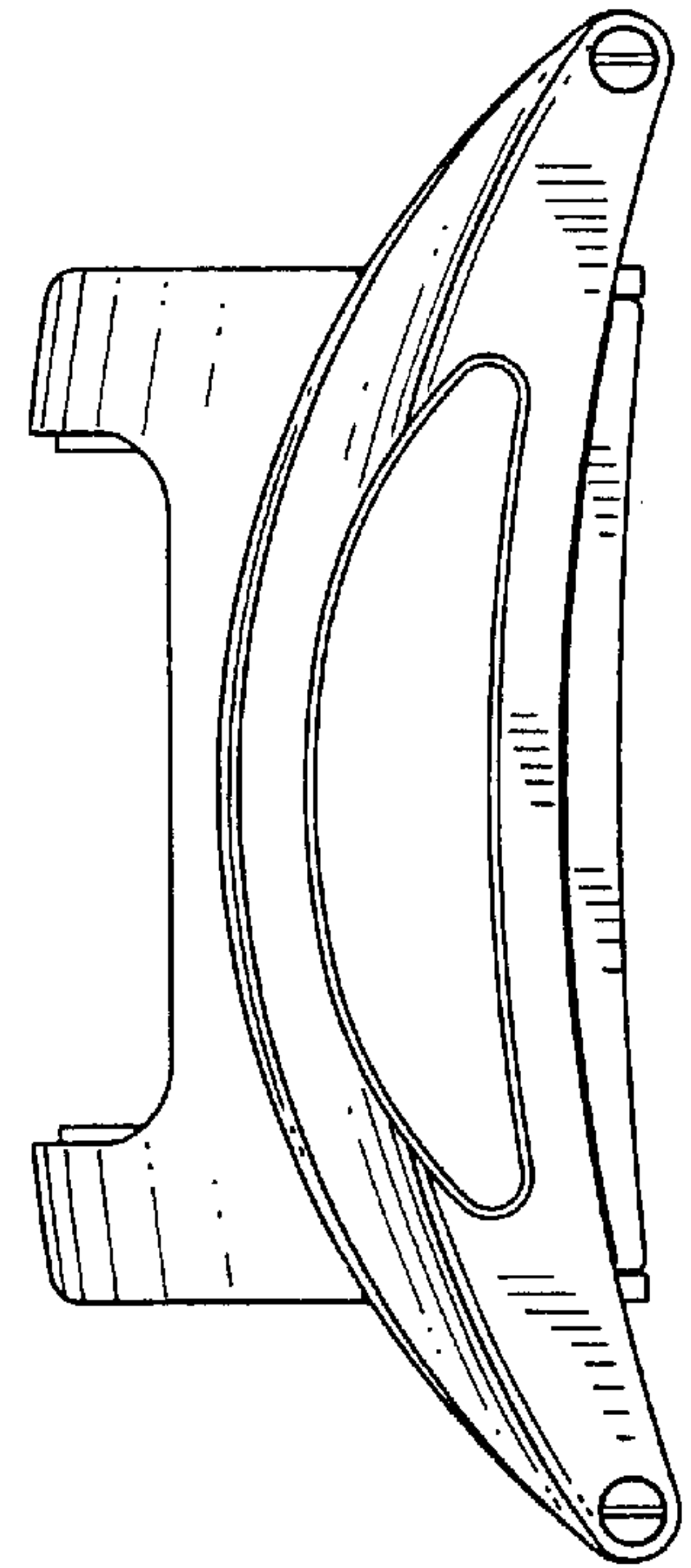


FIG. 6

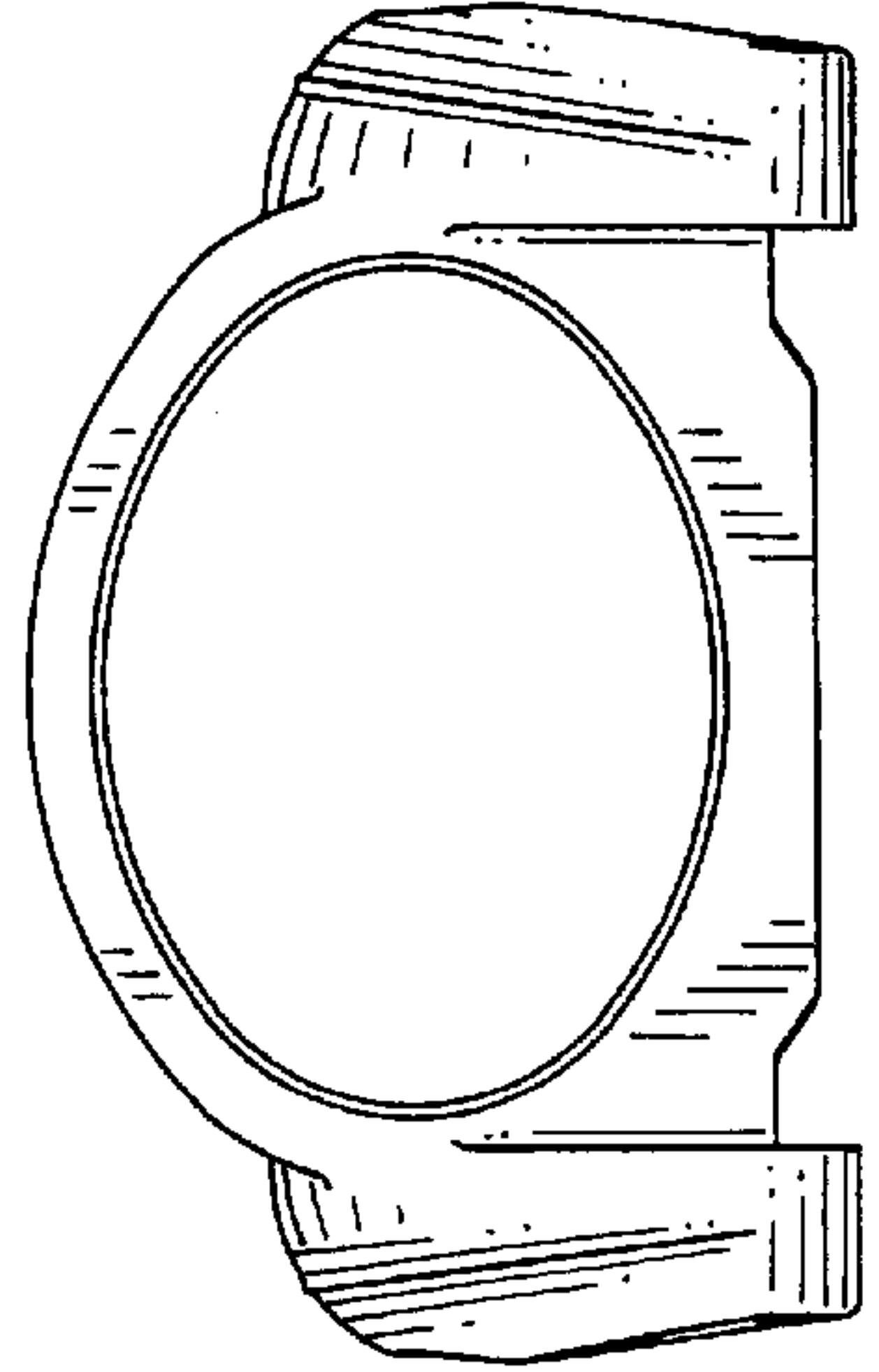


FIG. 7