



US00D474686S

(12) **United States Design Patent**
Woog

(10) **Patent No.:** **US D474,686 S**

(45) **Date of Patent:** **** May 20, 2003**

(54) **BEVERAGE CONTAINER CARRIER**

(76) Inventor: **Gunter Woog**, 5435 Bauers Dr., West Bend, WI (US) 53095

(**) Term: **14 Years**

(21) Appl. No.: **29/147,055**

(22) Filed: **Aug. 21, 2001**

(51) **LOC (7) Cl.** **09-03**

(52) **U.S. Cl.** **D9/341**

(58) **Field of Search** D9/341, 345, 347, D9/424, 499; 206/139, 216, 427, 429, 443, 527, 557; 215/6, 200, 272, 400; 220/500, 501, 503, 507, 509, 516, 890

(56) **References Cited**

U.S. PATENT DOCUMENTS

- 2,180,151 A * 11/1939 Koeller
- 3,040,954 A * 6/1962 Salmon 229/23
- D304,873 S * 11/1989 Ruehland D34/5
- D339,060 S * 9/1993 Cortelli et al. D9/415
- D347,769 S * 6/1994 Kibbe D7/701

* cited by examiner

Primary Examiner—Ted Shooman

Assistant Examiner—Daniel Bui

(74) *Attorney, Agent, or Firm*—Philip M. Weiss; Weiss & Weiss

(57) **CLAIM**

The ornamental design for a beverage container carrier, as shown and described.

DESCRIPTION

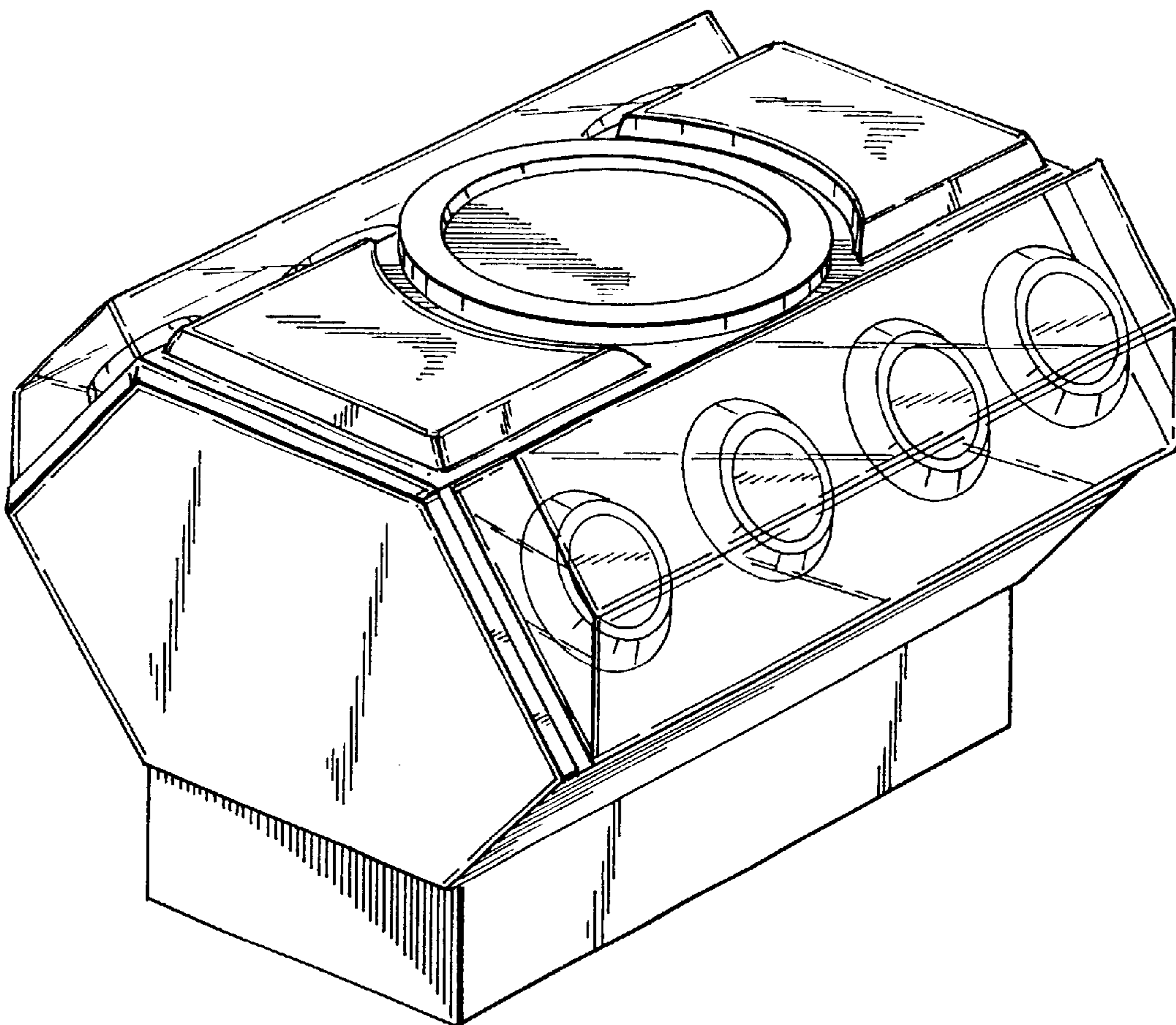
FIG. 1 is a perspective view of a beverage container carrier; FIG. 2 is a side elevational view of the beverage container carrier of FIG. 1, a view from the opposite side being a mirror image of FIG. 2;

FIG. 3 is a top view of the beverage container carrier of FIG. 1;

FIG. 4 is an end elevational view thereof, both ends being identical; and,

FIG. 5 is a bottom view of the beverage container carrier of FIG. 1.

1 Claim, 3 Drawing Sheets



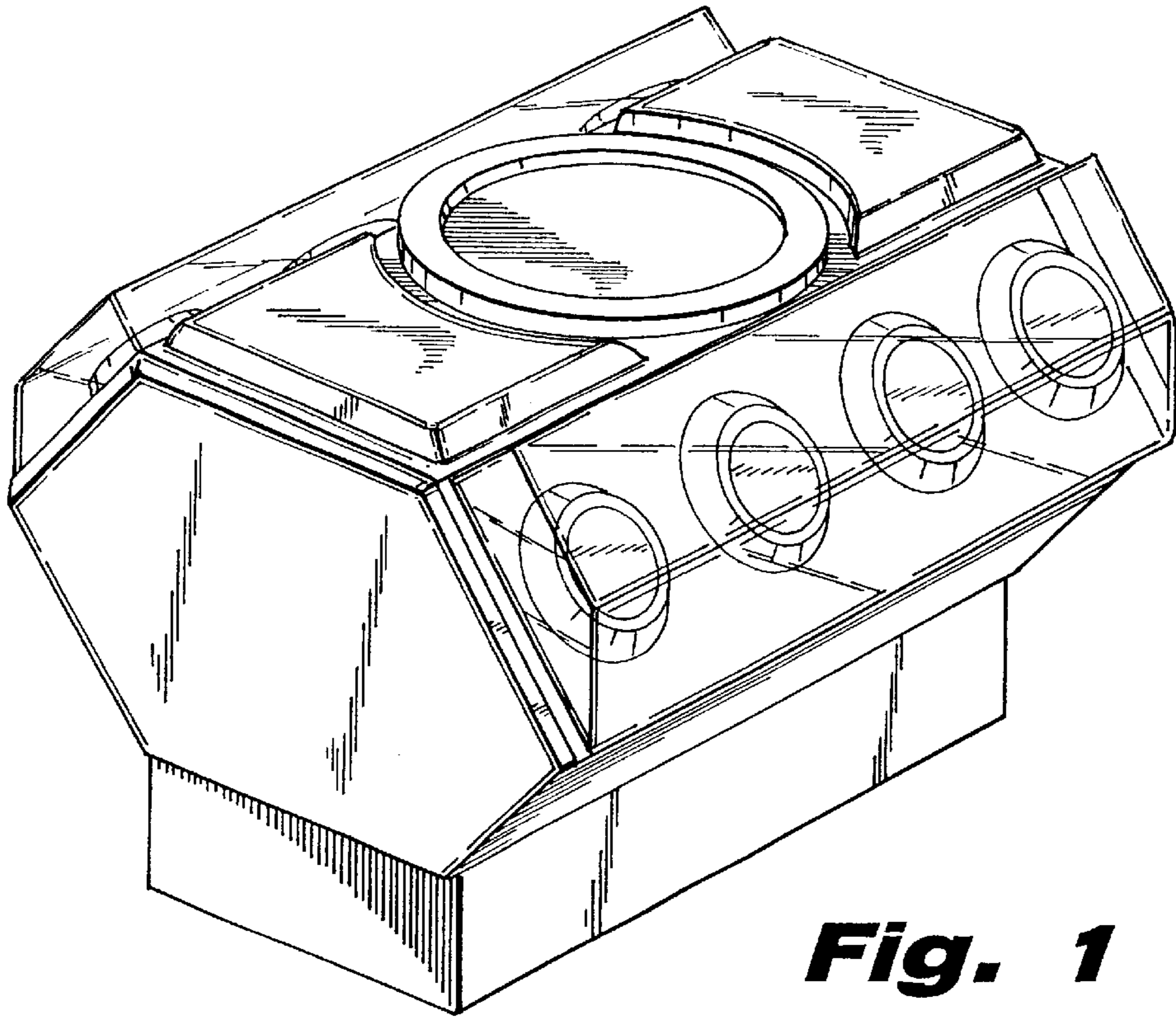


Fig. 1

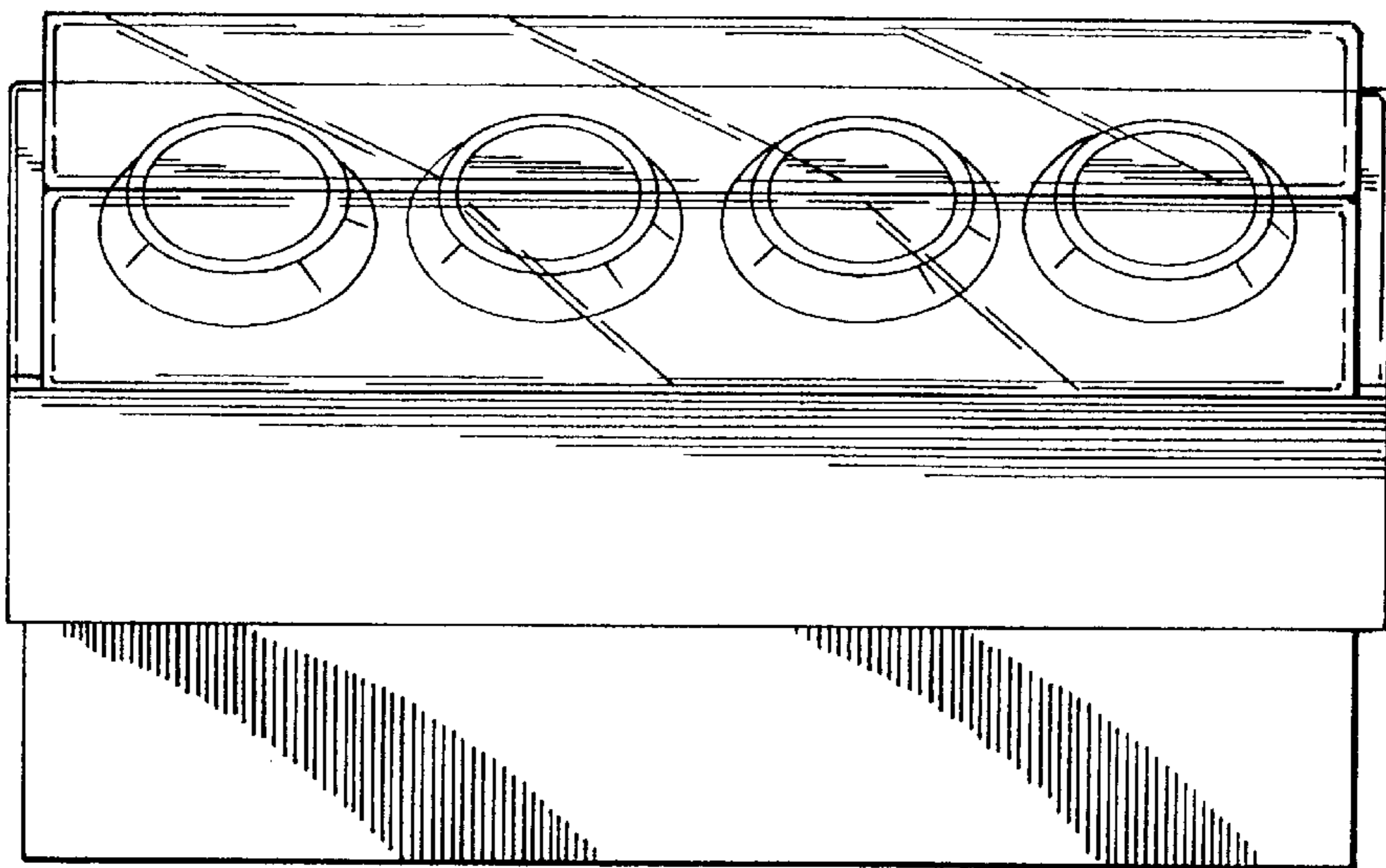


Fig. 2

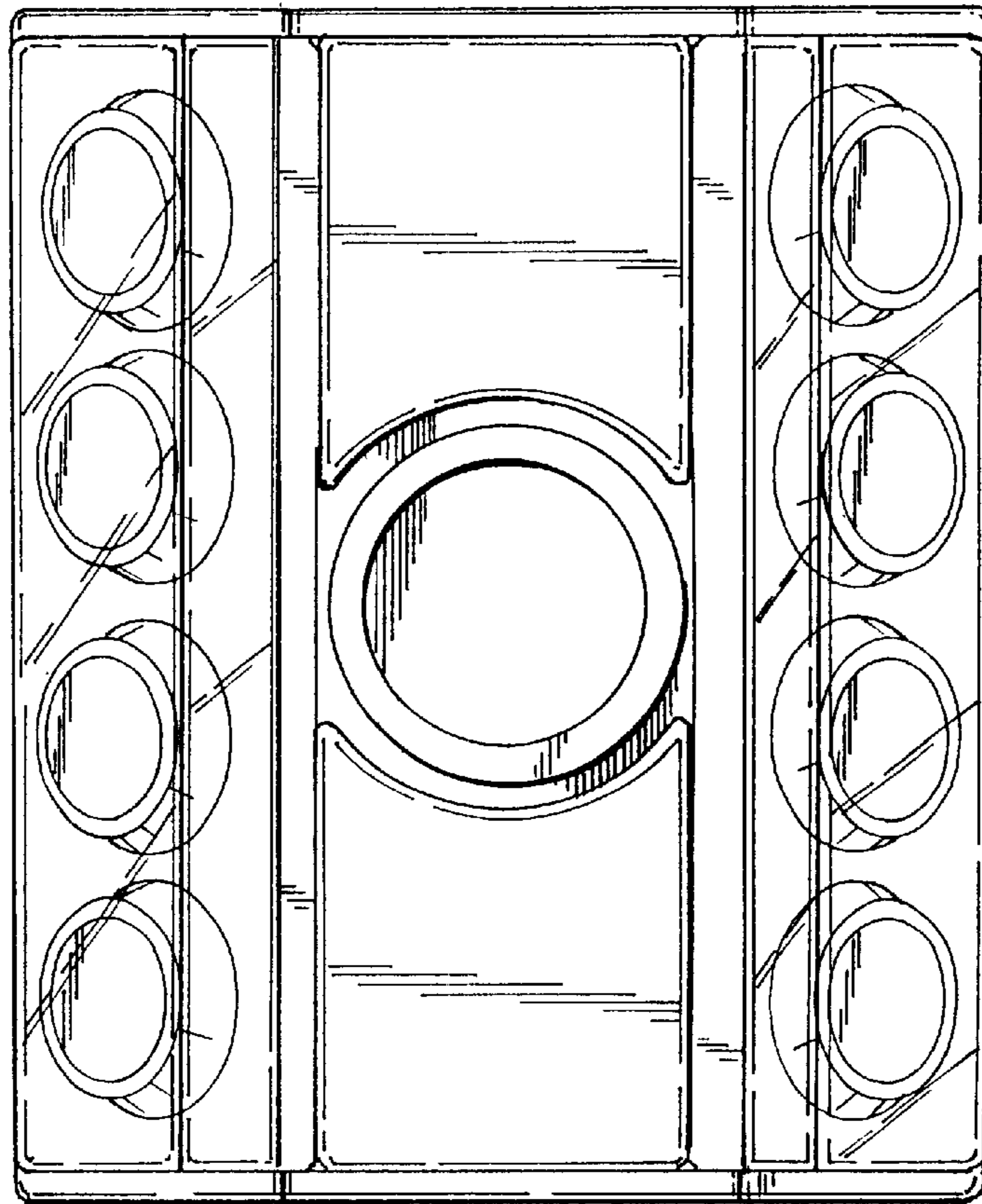


Fig. 3

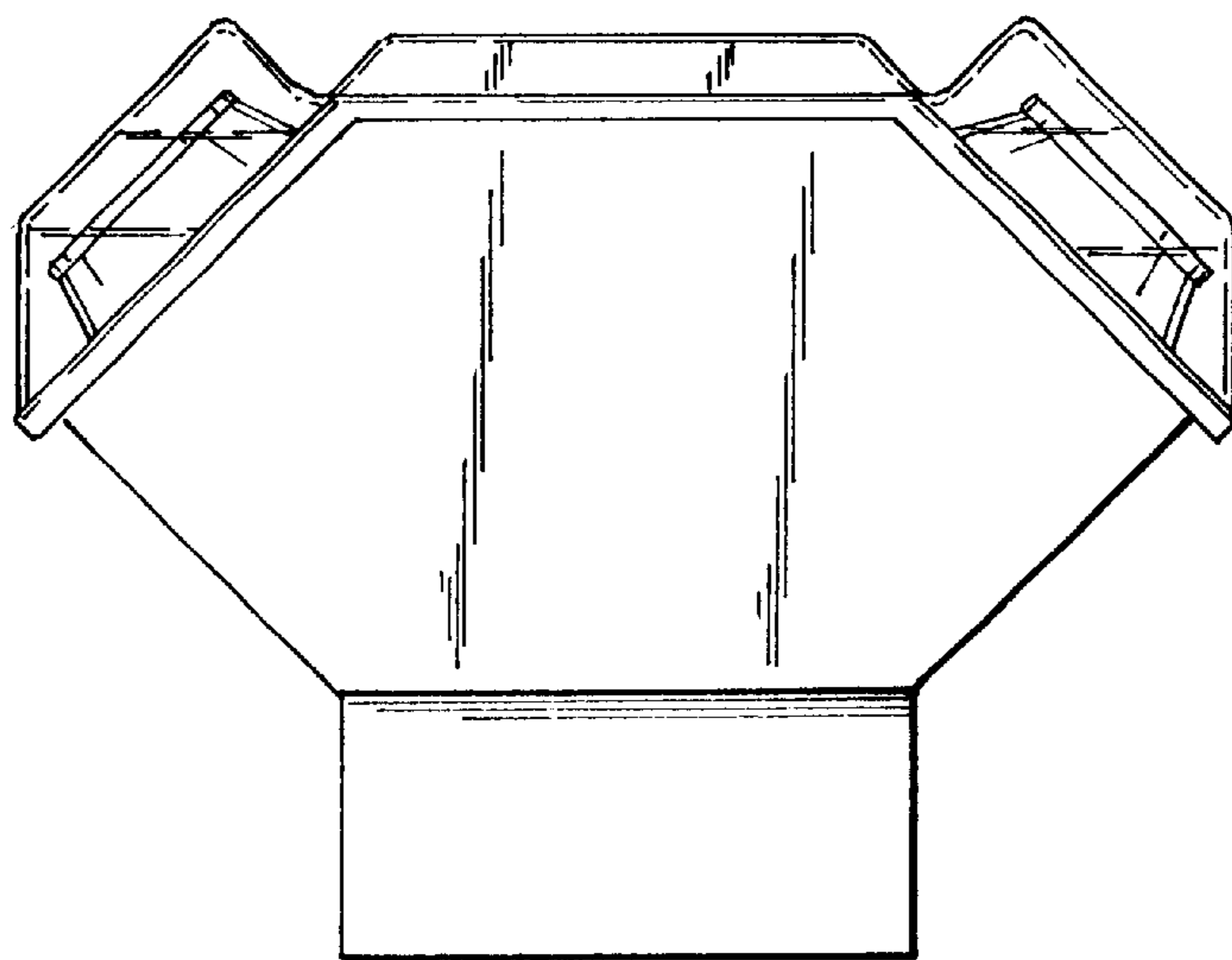


Fig. 4

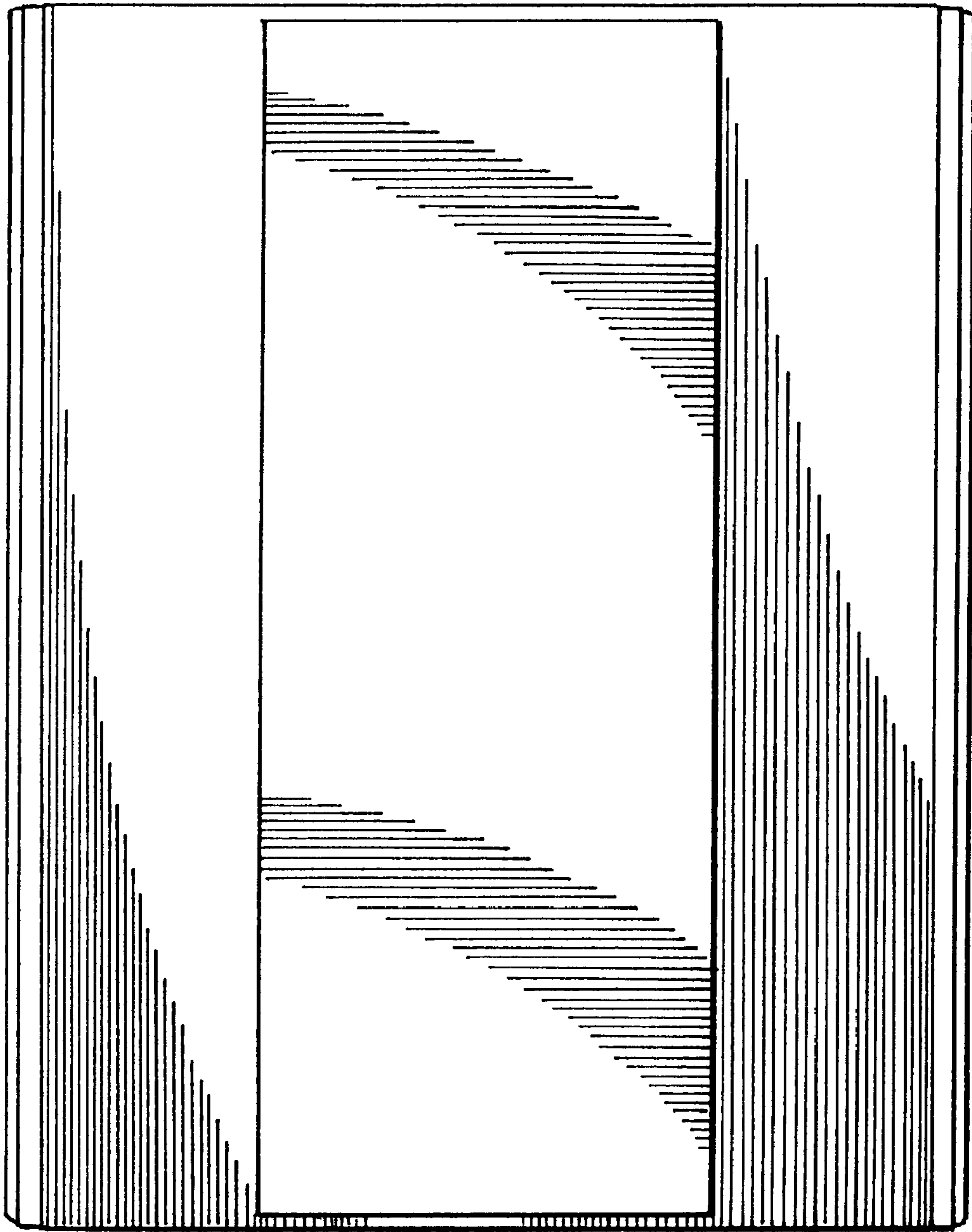


Fig. 5