



US00D474685S

(12) **United States Design Patent**
Finley

(10) **Patent No.:** **US D474,685 S**

(45) **Date of Patent:** **** May 20, 2003**

(54) **ALCOHOL ROLL-ON DISPENSER**

(76) **Inventor:** **Brenda M Finley**, 1149 Marquis Rd.,
North Charleston, SC (US) 29406

(**) **Term:** **14 Years**

(21) **Appl. No.:** **29/160,164**

(22) **Filed:** **May 3, 2002**

(51) **LOC (7) Cl.** **09-01**

(52) **U.S. Cl.** **D9/338**

(58) **Field of Search** D9/337-339, 529-530,
D9/537, 539-540, 542-543, 548-549, 573-575,
499; 206/204, 37-38, 438, 527; 215/200,
231, 260, 270-271, 316, 329, 400; 220/200,
213, 288-289, 290; 221/208, 312 R; 222/173,
175, 465.1, 544, 548, 555, 575

(56) **References Cited**

U.S. PATENT DOCUMENTS

D86,306 S	*	2/1932	Fuerst	
2,695,614 A	*	11/1954	Lockhart	128/272
2,998,616 A		9/1961	Gentile	
3,087,638 A	*	4/1963	Loper	215/6
4,073,880 A		2/1978	Pader et al.	
4,089,814 A		5/1978	Schmolka	
4,221,495 A		9/1980	Braun et al.	
D290,228 S	*	6/1987	Conrad	D9/500
D317,256 S	*	6/1991	Samuels	D9/503

5,051,017 A		9/1991	Yorks	
D354,434 S		1/1995	Nilssen	
D359,654 S	*	6/1995	Westgerdes	D7/511
D368,220 S		3/1996	Bicknell et al.	

* cited by examiner

Primary Examiner—Ted Shooman

Assistant Examiner—Daniel Bui

(57) **CLAIM**

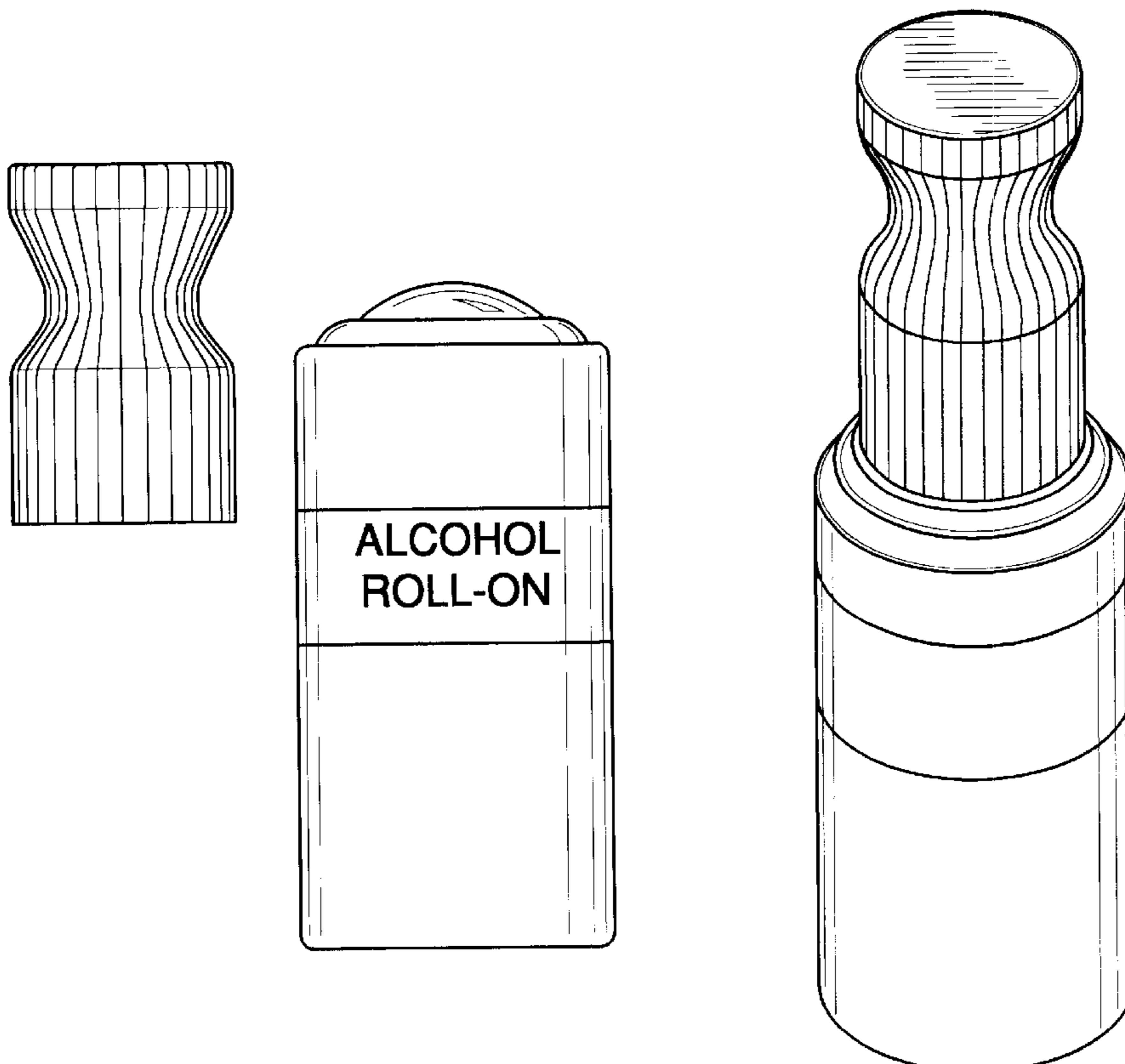
The ornamental design for a alcohol roll-on dispenser, as shown and described.

DESCRIPTION

FIG. 1 is an exploded front elevational view of the alcohol roll-on dispenser of the present invention;
 FIG. 2 is an exploded rear elevational view of the alcohol roll-on dispenser of FIG. 1;
 FIG. 3 is an exploded right side elevational view of the alcohol roll-on dispenser of FIG. 1;
 FIG. 4 is an exploded left side elevational view of the alcohol roll-on dispenser of FIG. 1;
 FIG. 5 is an exploded top plan view of the alcohol roll-on dispenser of FIG. 1; and,
 FIG. 6 is a top, rear, perspective in an alternate position (cap attached).

The bottom of the alcohol roll-on dispenser is plain and unornamented and forms no part of the claimed design.

1 Claim, 4 Drawing Sheets



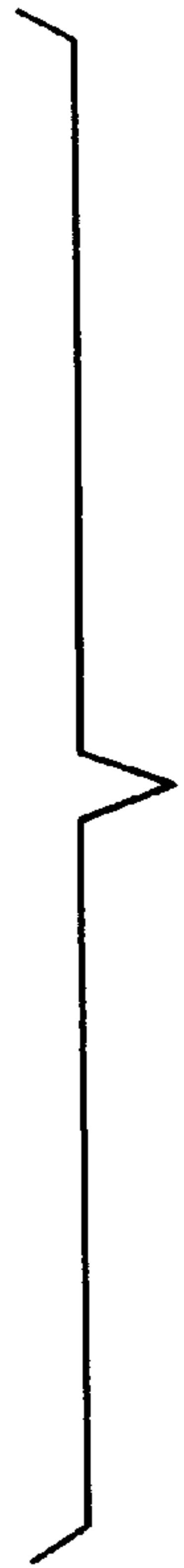
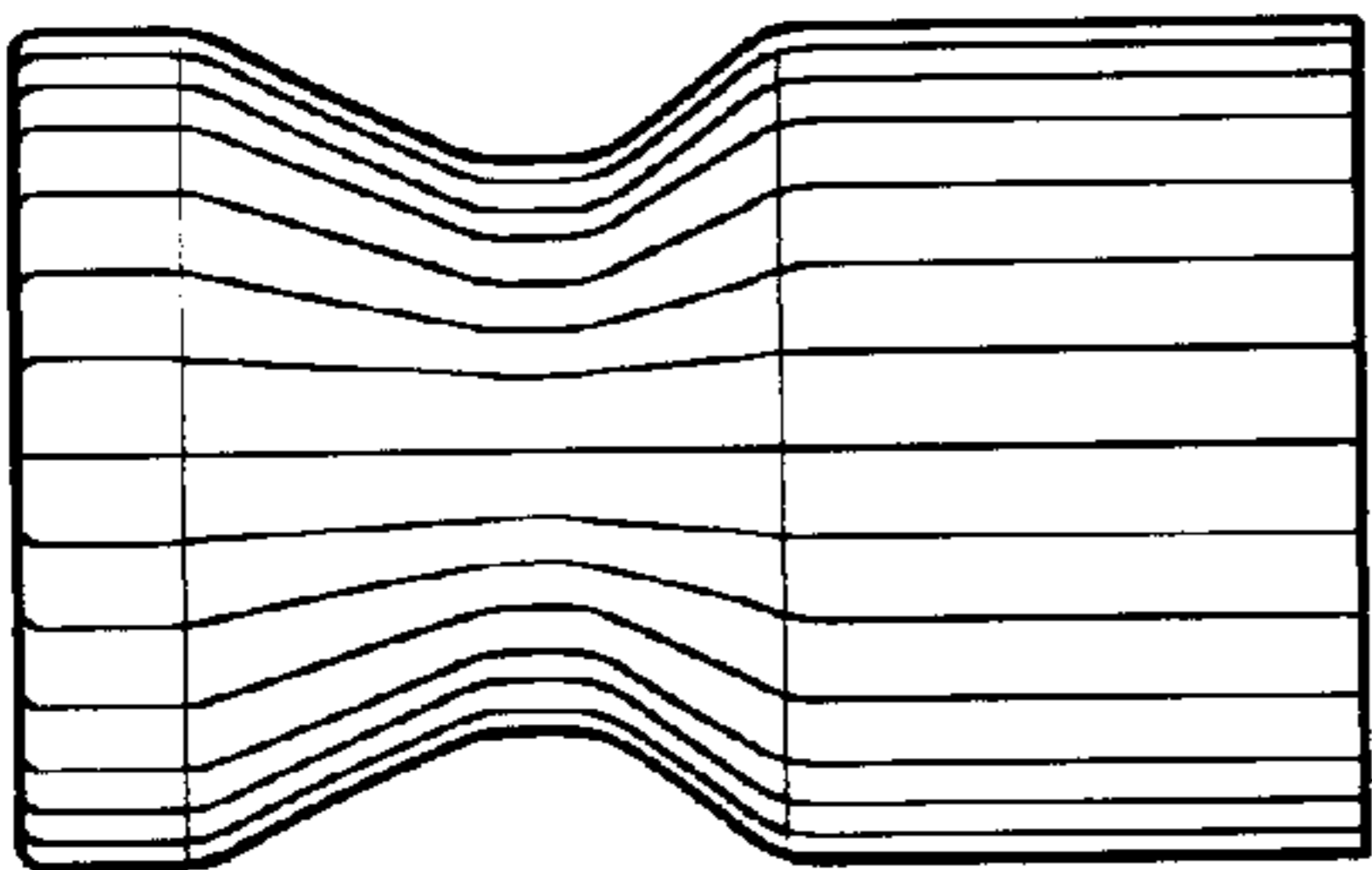
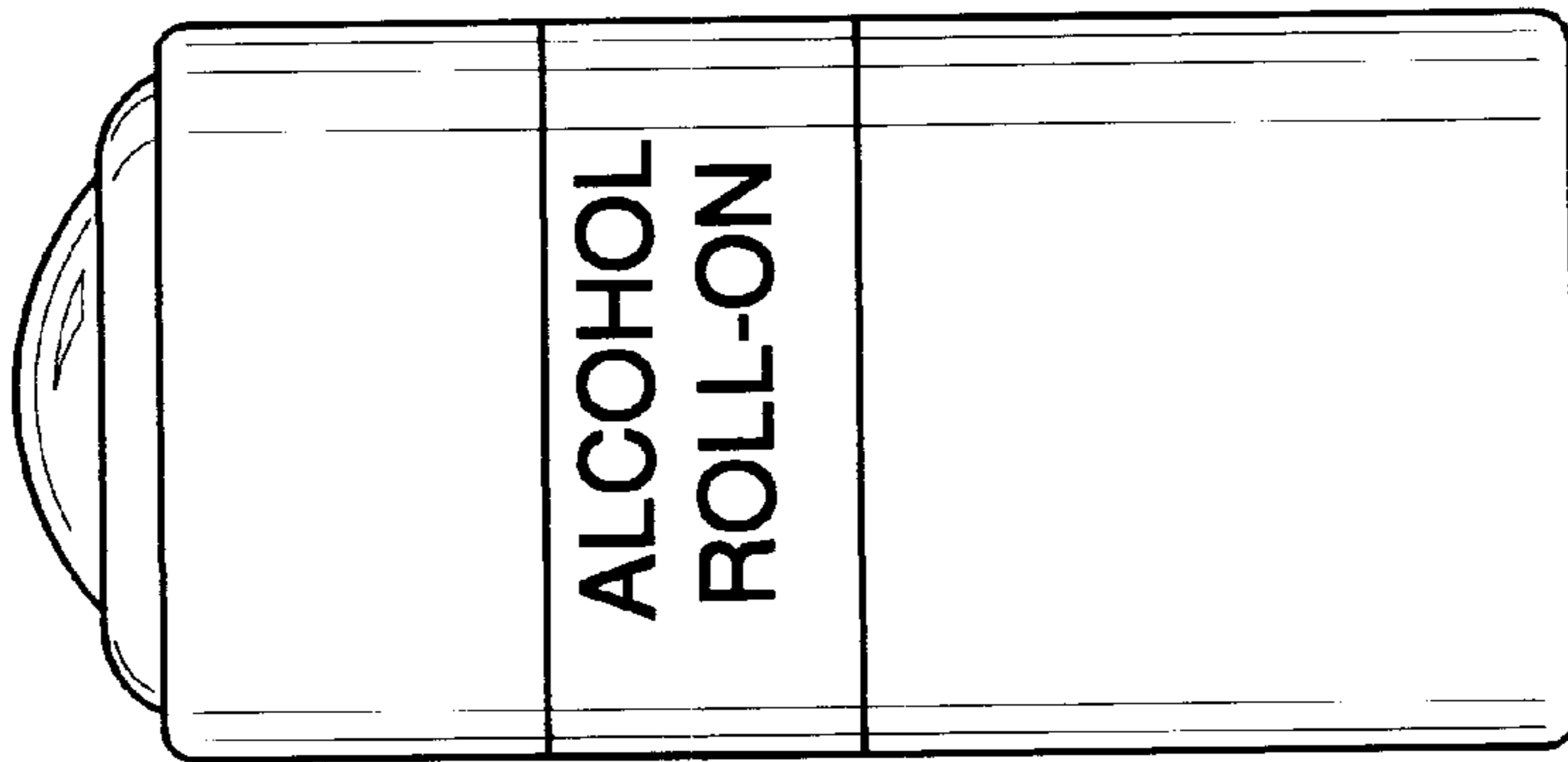
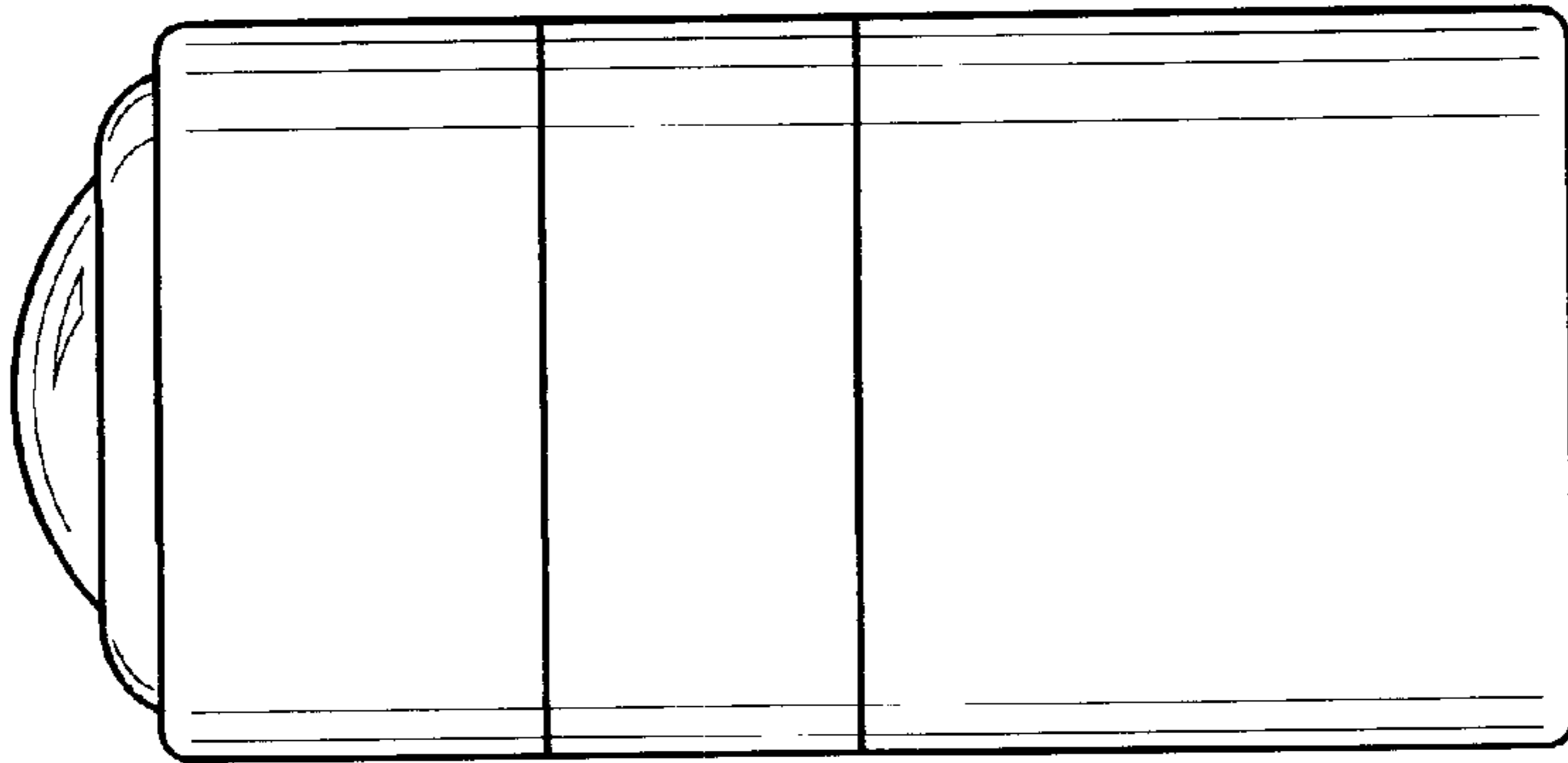
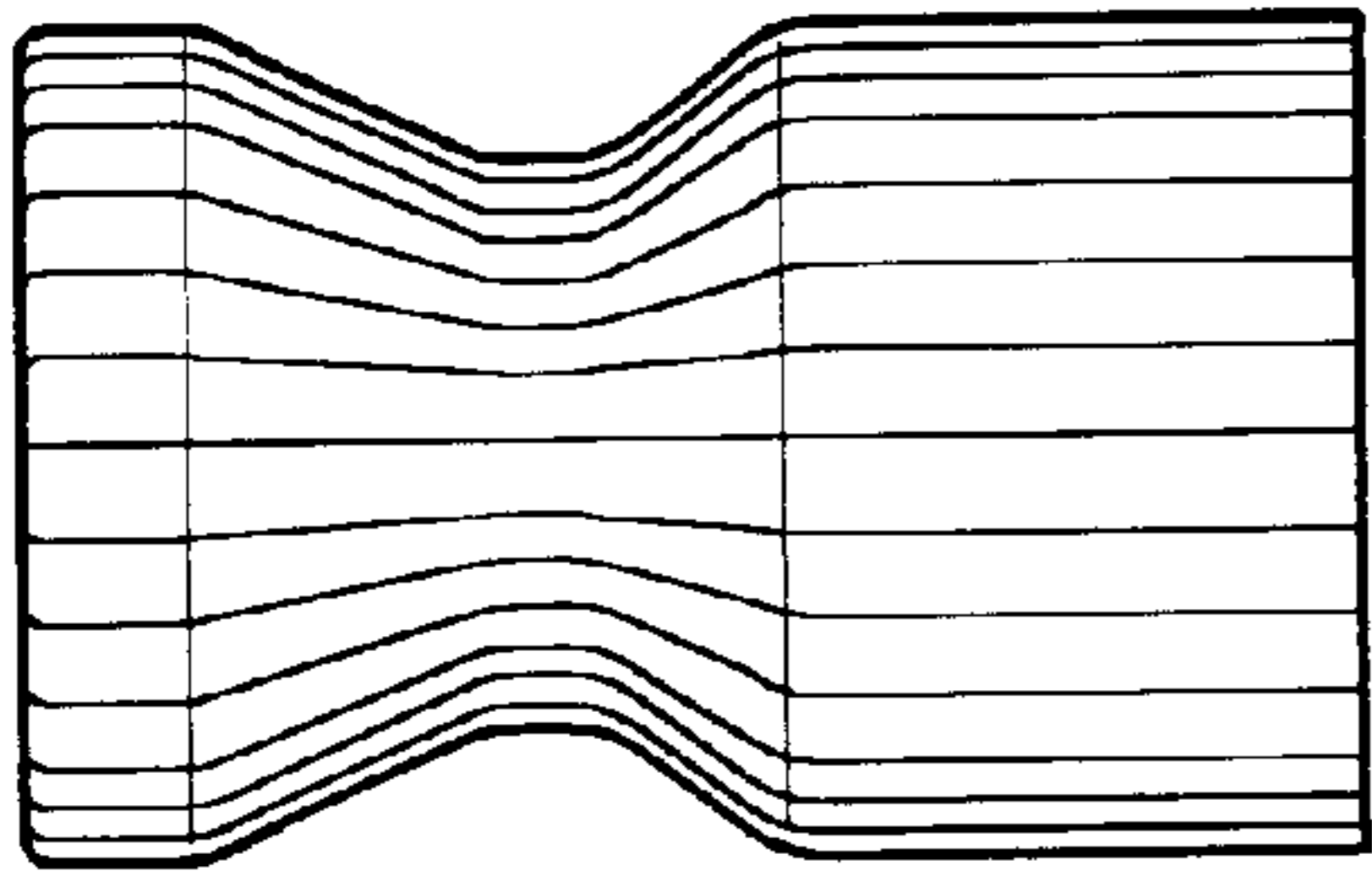


FIG. 2

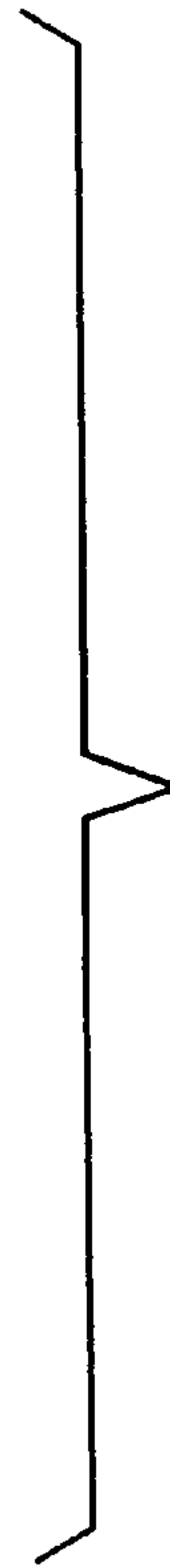


FIG. 1

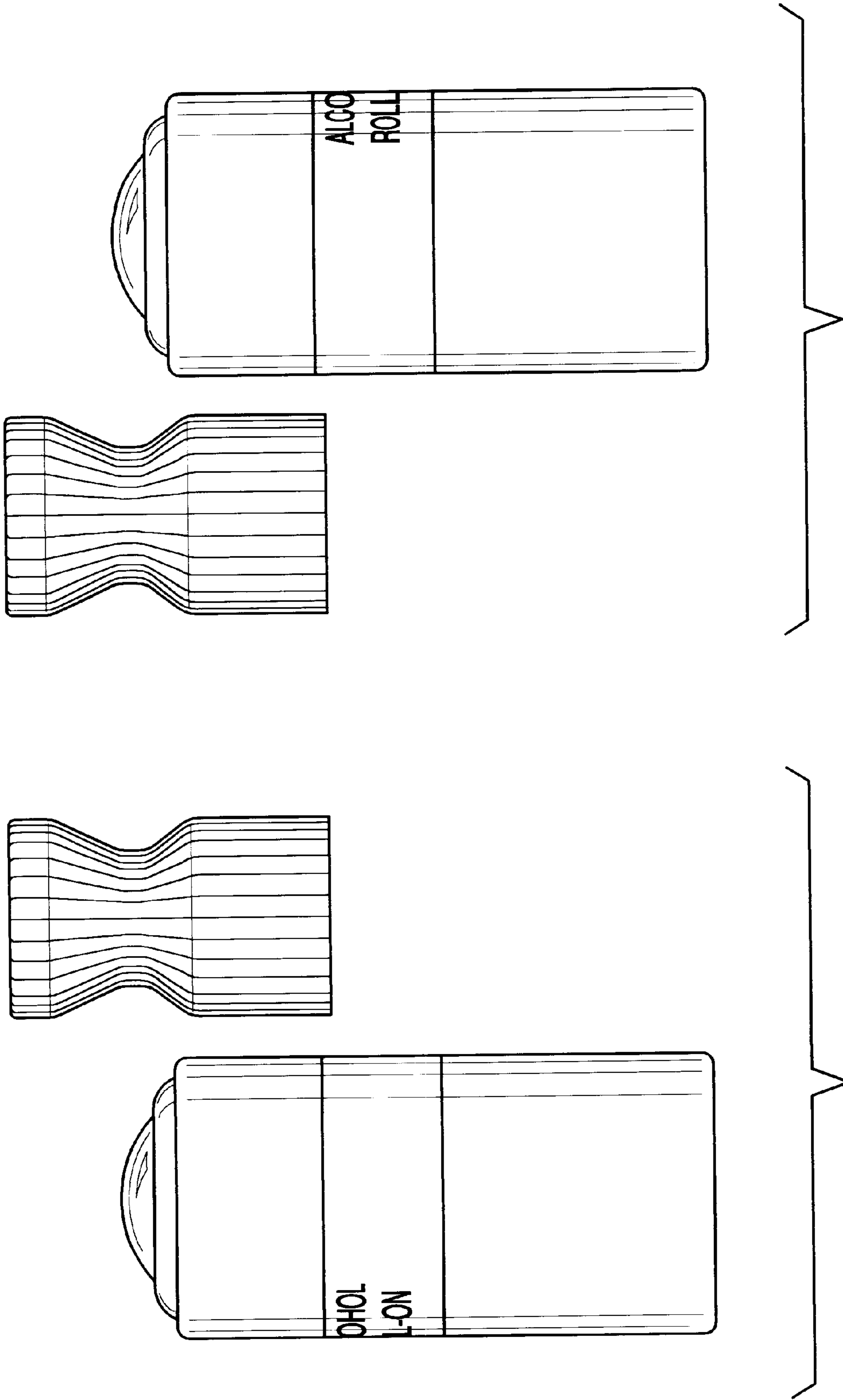


FIG. 4

FIG. 3

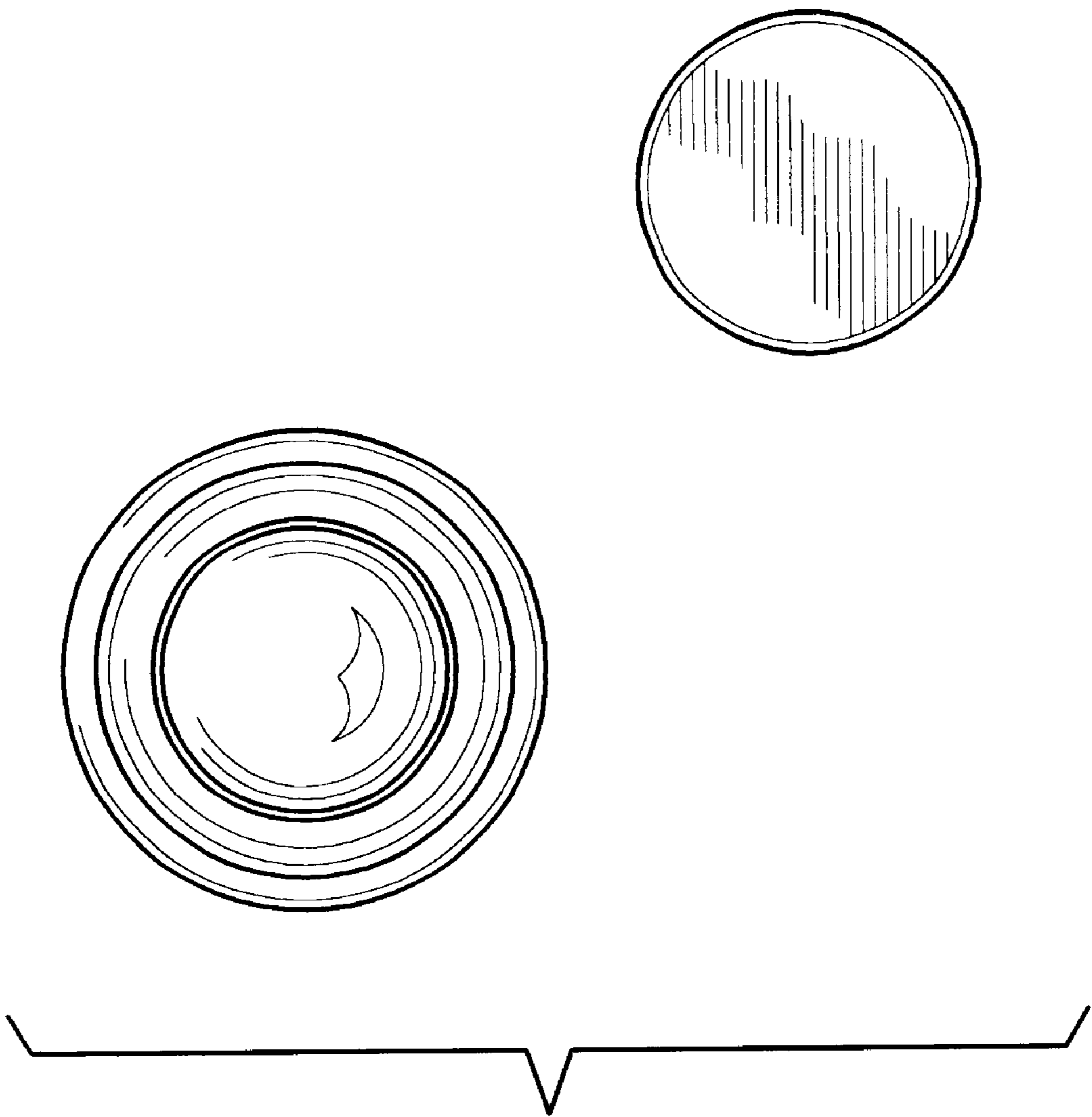


FIG.5

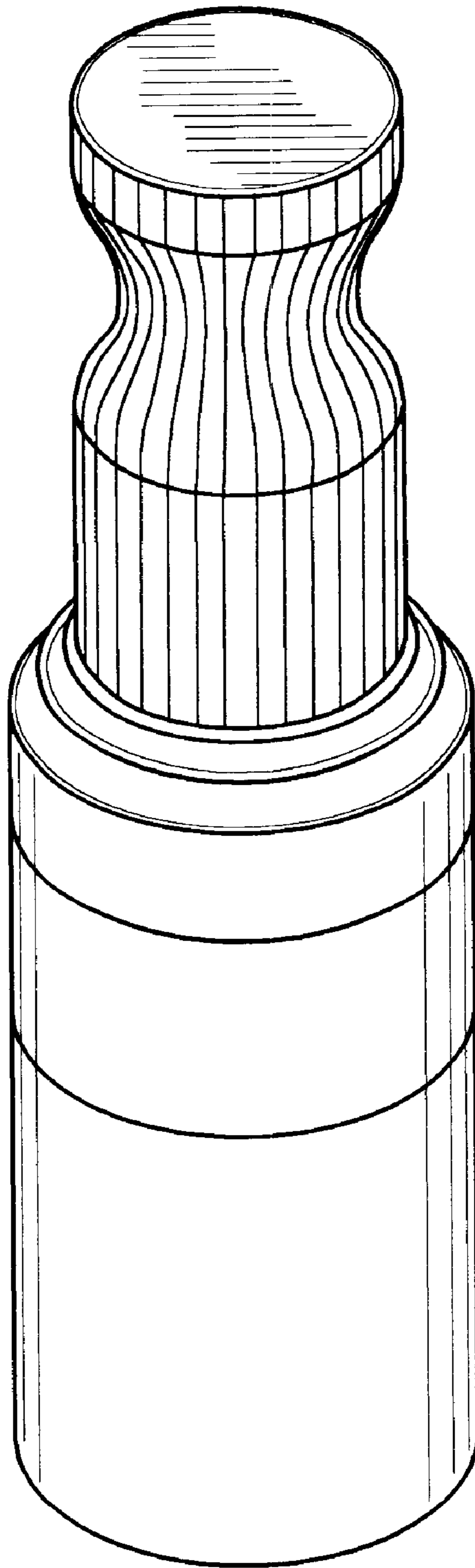


FIG.6