



US00D474679S

(12) **United States Design Patent**  
**Malin**

(10) **Patent No.:** **US D474,679 S**

(45) **Date of Patent:** **\*\* May 20, 2003**

(54) **UNIVERSAL DROP WIRE CLAMP**

(75) Inventor: **Glen K. Malin**, New York, NY (US)

(73) Assignee: **Allied Bolt, Inc.**, Hollis, NY (US)

(\*\*) Term: **14 Years**

(21) Appl. No.: **29/147,304**

(22) Filed: **Aug. 27, 2001**

(51) **LOC (7) Cl.** ..... **08-08**

(52) **U.S. Cl.** ..... **D8/394**

(58) **Field of Search** ..... D8/394-396, 399;  
248/71, 74.1, 214, 216.1, 229.26, 300,  
49, 62, 63, 65, 74.2, 510; 24/455, 16 R,  
27-29, 155 R, 129 R, 131 R

(56) **References Cited**

**U.S. PATENT DOCUMENTS**

1,883,627	A	*	10/1932	Draper	.....	D8/358
1,968,596	A	*	7/1934	Benander	.....	D8/395
2,200,047	A	*	5/1940	Tinnerman	.....	248/71
2,294,483	A	*	9/1942	Smith	.....	248/74.1
2,511,461	A	*	6/1950	Carroll	.....	248/300
2,863,202	A	*	12/1958	Hanna	.....	248/300
2,941,768	A	*	6/1960	Elms et al.	.....	248/71
3,117,758	A	*	1/1964	Bauer	.....	248/71
4,667,910	A	*	5/1987	Atterby et al.	.....	248/71
D352,647	S	*	11/1994	Stevens	.....	D8/396
6,364,260	B1	*	4/2002	Lorincz et al.	.....	248/214

**OTHER PUBLICATIONS**

Allied Bolt, Inc., Catalog page, Drop Wire Hardware, E Drop Wire Clamp, 1 page; copyright 1999.

\* cited by examiner

*Primary Examiner*—Louis S. Zarfes

*Assistant Examiner*—Deanne Levy

(74) *Attorney, Agent, or Firm*—Wolf Greenfield & Sacks, P.C.

(57) **CLAIM**

A universal drop wire clamp, as shown and described.

**DESCRIPTION**

FIG. 1 is a top, front, left side perspective view of a first embodiment with the position of a cable and screw with which it may be used shown in dotted outline;

FIG. 2 is a front elevational view thereof;

FIG. 3 is a left-side elevational view thereof;

FIG. 4 is a right-side elevational view thereof;

FIG. 5 is a top plan view, the bottom plan view being a mirror image thereof;

FIG. 6 is a rear elevational view thereof;

FIG. 7 is a top front, left side perspective view of a second embodiment;

FIG. 8 is a front elevational view of the embodiment of FIG. 7;

FIG. 9 is a left-side elevational view of the embodiment of FIG. 7;

FIG. 10 is a right-side elevational view of the embodiment of FIG. 7;

FIG. 11 is a top plan view of the embodiment of FIG. 7; the bottom plan view being a mirror image thereof;

FIG. 12 is a rear elevational view of the embodiment of FIG. 7;

FIG. 13 is a top front, left side perspective view of a third embodiment;

FIG. 14 is a front elevational view of the embodiment of FIG. 13;

FIG. 15 is a left-side elevational view of the embodiment of FIG. 13;

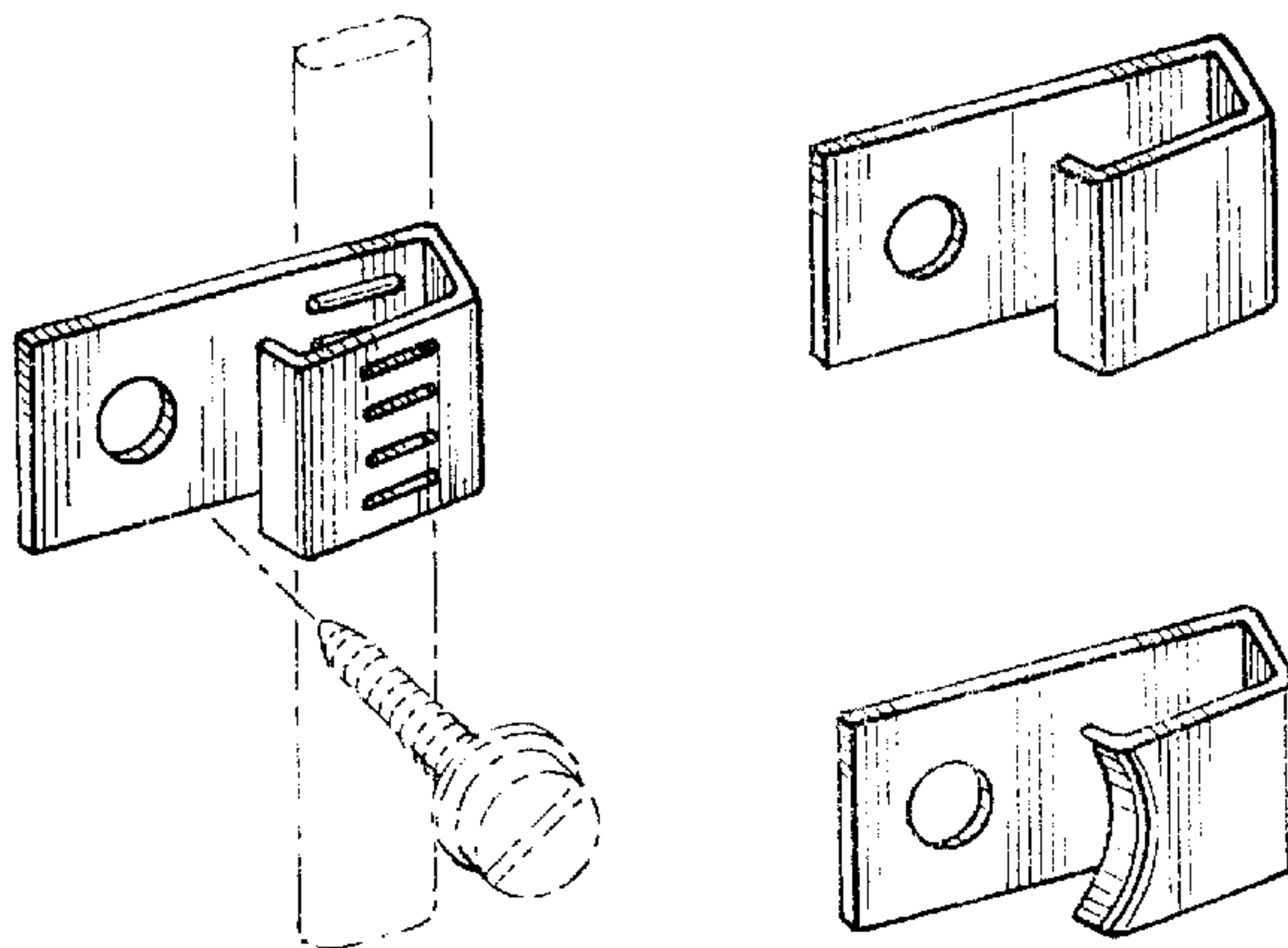
FIG. 16 is a right-side elevational view of the embodiment of FIG. 13;

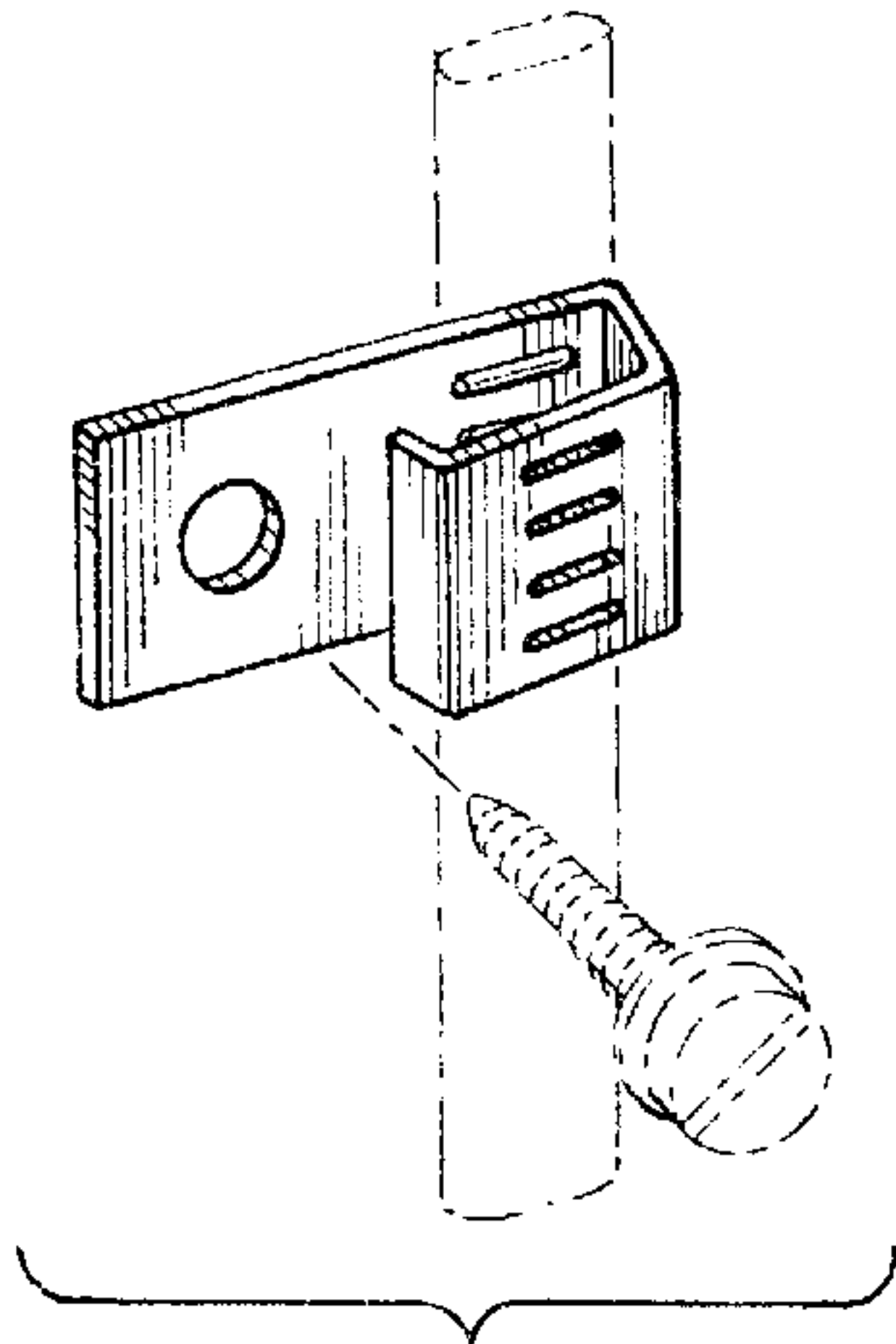
FIG. 17 is a top plan view of the embodiment of FIG. 13; the bottom plan being a mirror image thereof; and,

FIG. 18 is a rear elevational view of the embodiment of FIG. 13.

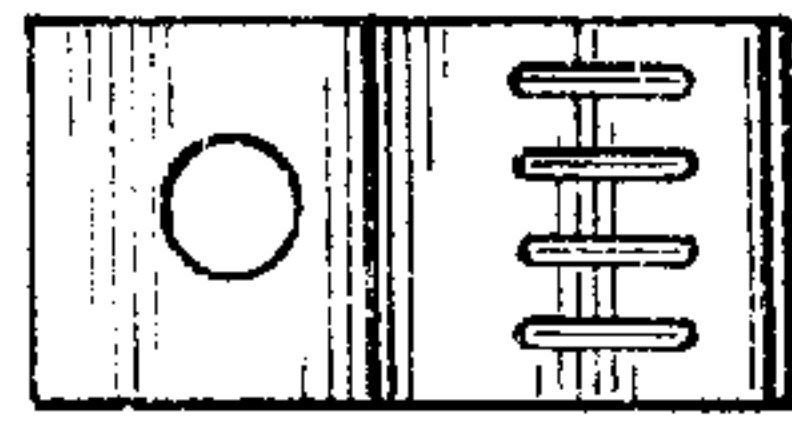
The broken line showing of the screw and cable is for illustrative purposes only and forms no part of the claimed design.

**1 Claim, 1 Drawing Sheet**





*Fig. 1*



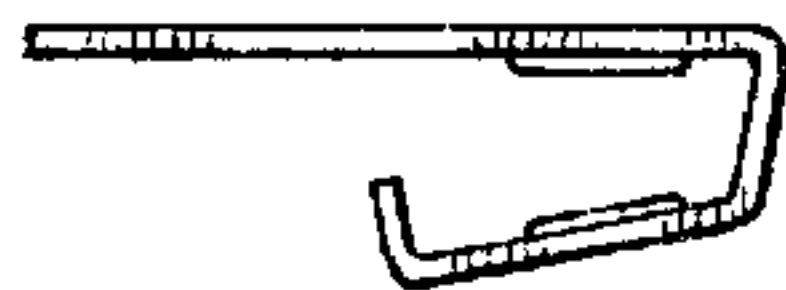
*Fig. 2*



*Fig. 3*



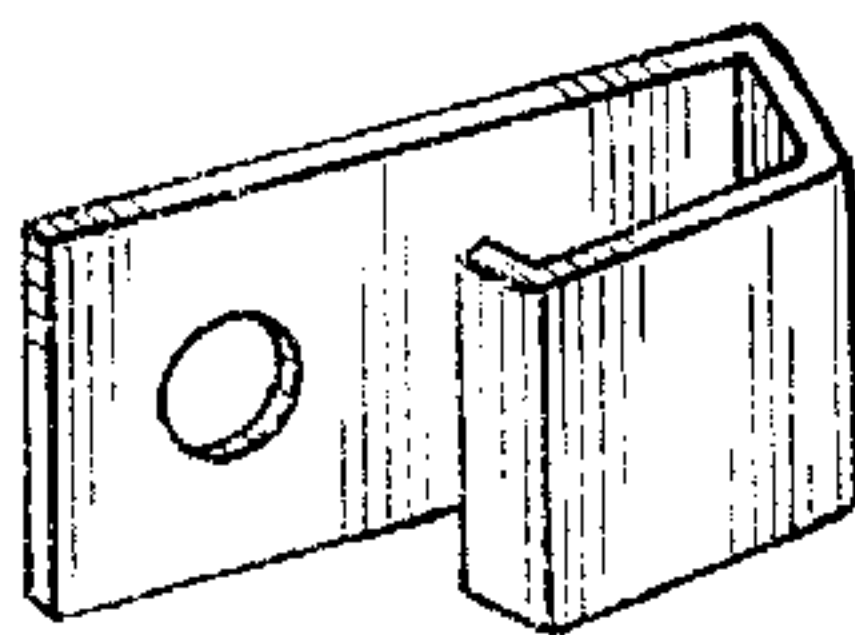
*Fig. 4*



*Fig. 5*



*Fig. 6*



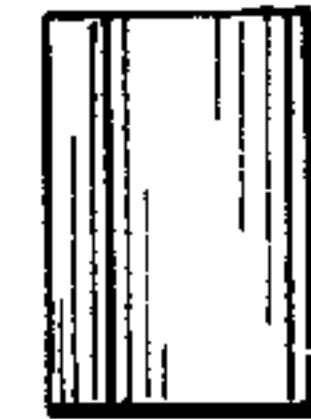
*Fig. 7*



*Fig. 8*



*Fig. 9*



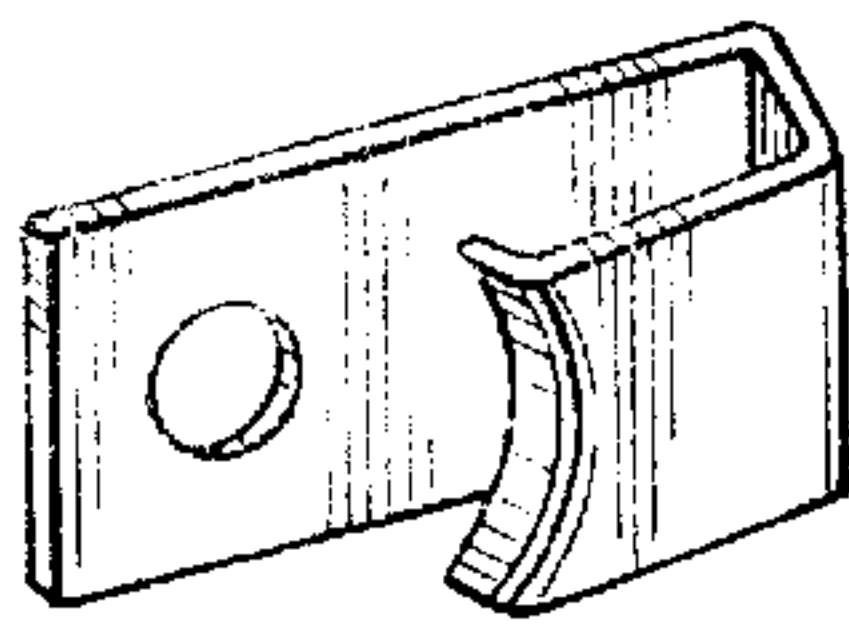
*Fig. 10*



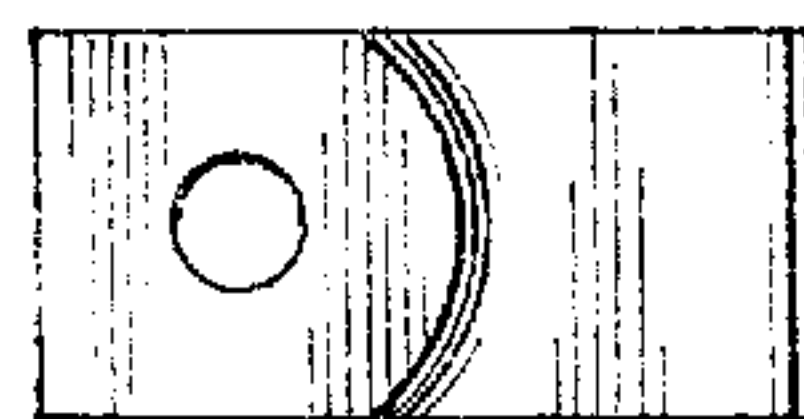
*Fig. 11*



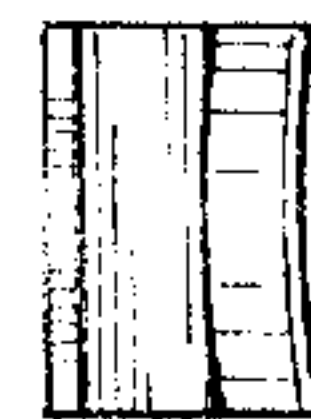
*Fig. 12*



*Fig. 13*



*Fig. 14*



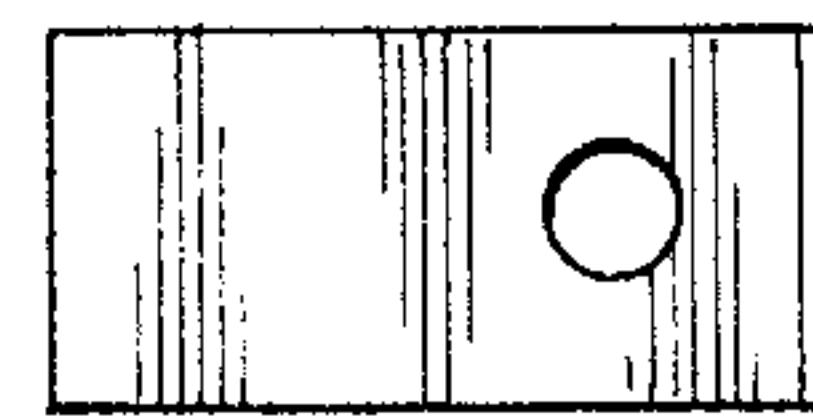
*Fig. 15*



*Fig. 16*



*Fig. 17*



*Fig. 18*