



US00D474673S

(12) **United States Design Patent**
Weinerman et al.

(10) **Patent No.:** **US D474,673 S**

(45) **Date of Patent:** **** May 20, 2003**

(54) **LINKAGE ASSEMBLY FOR USE WITH PUSH BUTTON LATCH AND LOCK OPERATING ASSEMBLIES**

(75) Inventors: **Lee S. Weinerman**, Medina, OH (US);
Arthur J. Kuminski, Parma, OH (US);
Scott A. Arthurs, Brunswick, OH (US)

(73) Assignee: **The Eastern Company**, Cleveland, OH (US)

(**) Term: **14 Years**

(21) Appl. No.: **29/167,743**

(22) Filed: **Sep. 19, 2002**

Related U.S. Application Data

(63) Continuation-in-part of application No. 29/160,445, filed on May 10, 2002, which is a continuation-in-part of application No. 09/698,416, filed on Oct. 27, 2000, now Pat. No. 6,454,320, and a continuation-in-part of application No. 29/159,991, filed on May 2, 2002, which is a continuation-in-part of application No. 29/152,852, filed on Dec. 27, 2001, now Pat. No. Des. 463,247, and a continuation-in-part of application No. 29/152,851, filed on Dec. 27, 2001, and a continuation-in-part of application No. 29/142,044, filed on May 17, 2001, now Pat. No. Des. 464,555, application No. 29/167,743, which is a continuation-in-part of application No. 09/698,416, application No. 29/167,743, which is a continuation-in-part of application No. 29/159,991, which is a continuation-in-part of application No. 09/698,416, and a continuation-in-part of application No. 29/152,852, and a continuation-in-part of application No. 29/152,851, and a continuation-in-part of application No. 29/142,044, application No. 29/167,743, which is a continuation-in-part of application No. 29/152,852, which is a continuation-in-part of application No. 29/142,044, filed on May 17, 2001, which is a continuation-in-part of application No. 29/131,819, filed on Oct. 27, 2000, now Pat. No. Des. 447,042, which is a continuation-in-part of application No. 29/113,063, filed on Oct. 28, 1999, now Pat. No. Des. 445,015, application No. 29/167,743, which is a continuation-in-part of application No. 29/152,851, which is a continuation-in-part of application No. 29/142,044, which is a continuation-in-part of application No. 29/131,819, which is a continuation-in-part of application No. 29/113,063, application No. 29/167,743, which is a continuation-in-part of application No. 29/142,044, which is a continuation-in-part of application No.

29/131,819, which is a continuation-in-part of application No. 29/113,063.

(51) **LOC (7) Cl.** **08-07**

(52) **U.S. Cl.** **D8/330**

(58) **Field of Search** D8/330, 331, 332,
D8/343; 292/83, 208-210, 216, 300, 305,
56, 63

(56) **References Cited**

U.S. PATENT DOCUMENTS

113,070 A 3/1871 Loeffelholz et al. 292/34
417,589 A 12/1889 Rose 292/40

(List continued on next page.)

Primary Examiner—Brian N. Vinson

(74) *Attorney, Agent, or Firm*—David A. Burge

(57) **CLAIM**

We claim the ornamental design for linkage assembly for use with push button latch and lock operating assemblies, as shown and described.

DESCRIPTION

FIG. 1 is a perspective view showing principally top, front and right features of a first embodiment of linkage assembly for use with push button latch and lock operating assemblies, embodying our new design, with the arms thereof pivoted to an extended position;

FIG. 2 is a top plan view thereof;

FIG. 3 is a front view thereof;

FIG. 4 is a bottom view thereof;

FIG. 5 is a rear view thereof;

FIG. 6 is a perspective view showing principally top, front and right features of a second embodiment of linkage assembly for use with push button latch and lock operating assemblies, embodying our new design, with the arms thereof pivoted to an extended position;

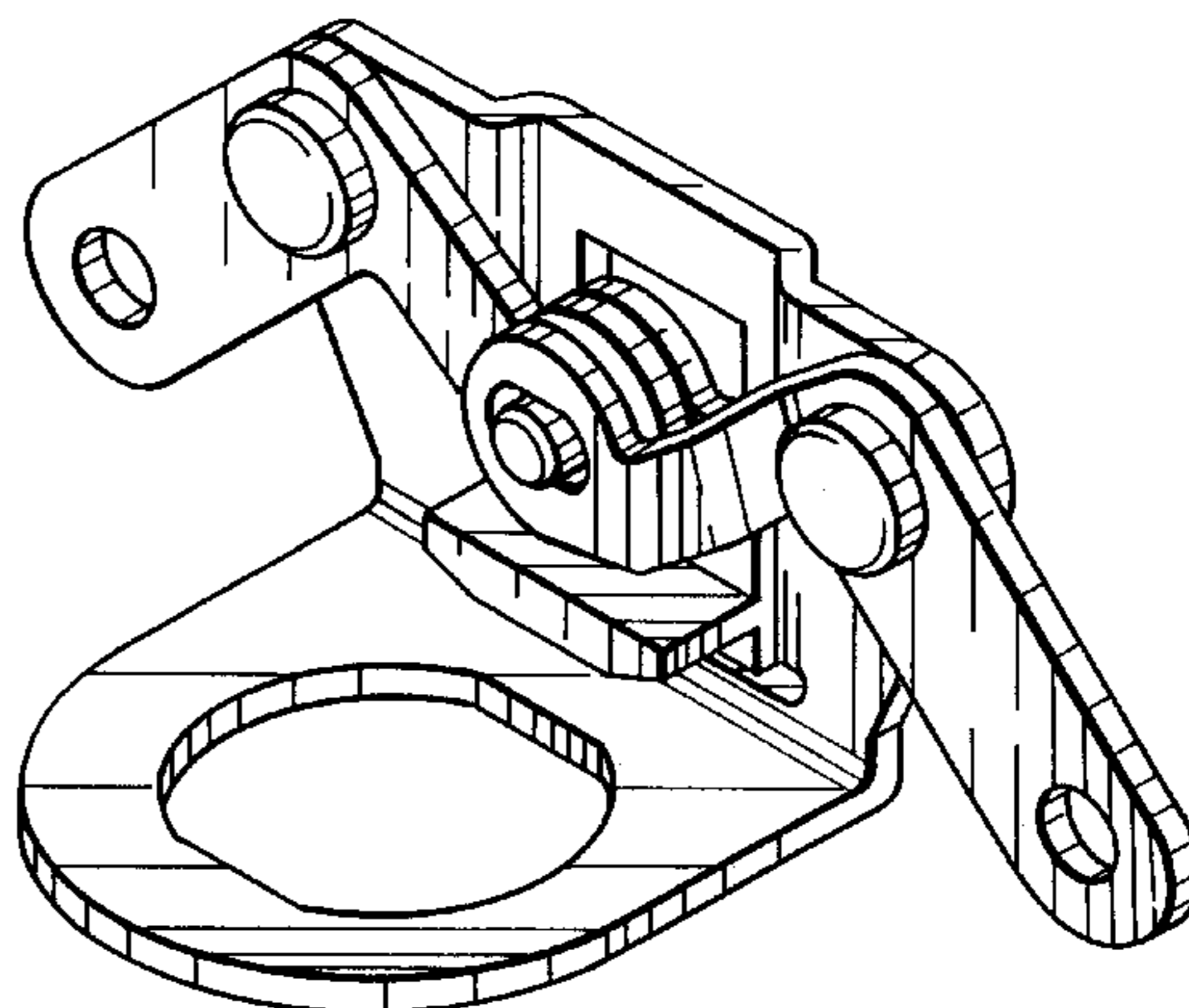
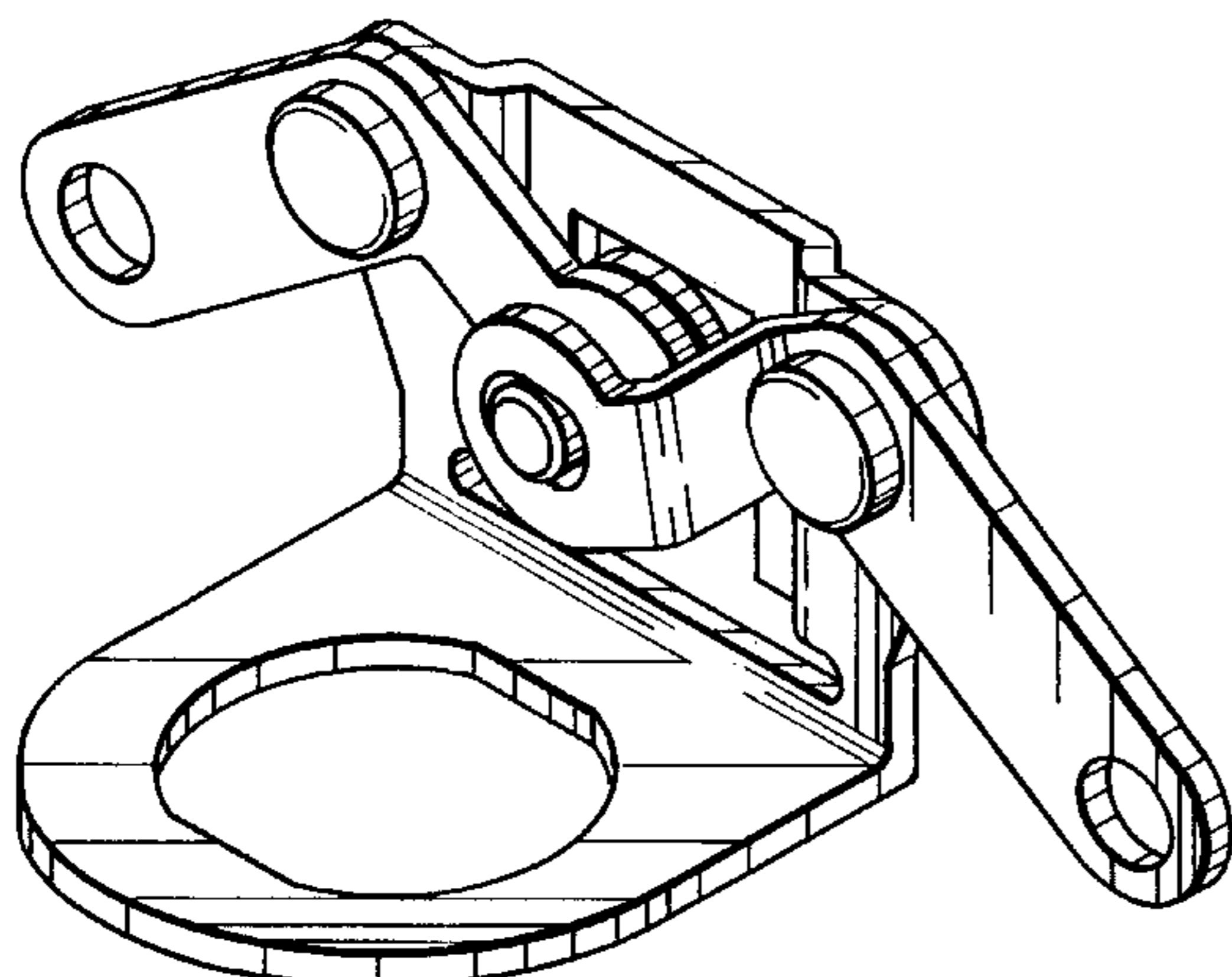
FIG. 7 is a top plan view thereof;

FIG. 8 is a front view thereof;

FIG. 9 is a bottom view thereof; and,

FIG. 10 is a rear view thereof.

1 Claim, 6 Drawing Sheets



US D474,673 S

Page 2

U.S. PATENT DOCUMENTS

480,148 A	8/1892	Theby	292/36	4,059,296 A	11/1977	Panourgias	285/312
491,824 A	2/1893	Walker	200/61.64	4,488,669 A	12/1984	Waters	224/273
767,567 A	8/1904	Keil	292/127	4,601,499 A	7/1986	Kim	292/36
876,300 A	1/1908	Couret	292/135	4,892,338 A	1/1990	Weinerman et al.	292/35
925,455 A	6/1909	Campbell	70/81	4,978,152 A	12/1990	Bisbing	292/169
1,018,077 A	2/1912	Petterson	70/150	D313,337 S	1/1991	Haskell	D8/336
1,058,346 A	4/1913	Berstler	292/21	5,042,853 A	8/1991	Gleason et al.	292/126
1,174,652 A	3/1916	Banks	292/36	D324,635 S	3/1992	Weinerman et al.	D8/331
1,368,141 A	2/1921	Hagstrom	292/34	5,308,126 A	5/1994	Weger, Jr. et al.	292/53
1,531,605 A	3/1925	Gaynor	200/535	5,346,266 A	9/1994	Bisbing	292/64
1,556,864 A	10/1925	Mendenhall	292/33	5,439,260 A	8/1995	Weinerman et al.	292/48
1,571,453 A	2/1926	Maxon	292/170	5,526,660 A	6/1996	Bennett et al.	70/208
1,672,901 A	6/1928	North	292/227	D371,300 S	7/1996	Mordick	D8/343
1,908,980 A	5/1933	Heyel	70/120	5,564,295 A	10/1996	Weinerman et al.	70/208
1,965,939 A	7/1934	Jacobi	70/29	5,586,458 A	12/1996	Weinerman et al.	70/208
2,059,479 A	11/1936	North	292/127	5,595,076 A	1/1997	Weinerman et al.	70/208
2,322,040 A	6/1943	Maruri	70/145	5,611,224 A	3/1997	Weinerman et al.	70/208
2,683,978 A	7/1954	Jacobi	70/360	5,816,630 A	10/1998	Bennett et al.	292/341.17
2,705,884 A	4/1955	Craig	70/264	5,884,948 A	3/1999	Weinerman et al.	292/216
2,728,214 A	12/1955	Craig	70/149	5,984,383 A	11/1999	Parikh et al.	292/121
2,755,519 A	7/1956	Xander	20/52	6,012,747 A	1/2000	Takamura et al.	292/216
2,772,908 A	12/1956	Craig	292/280	D429,141 S	8/2000	Antonucci et al.	D8/331
2,911,247 A	11/1959	Corbin	292/48	6,113,160 A	9/2000	Johansson et al.	292/169
2,987,907 A	6/1961	Cockburn et al.	70/135	D432,389 S	10/2000	Johansson et al.	D8/331
3,054,634 A	9/1962	Westerdale	292/336.3	6,231,091 B1	5/2001	Gleason et al.	292/34
3,545,799 A	12/1970	Gertsfeld	292/34	D447,042 S	8/2001	Weinerman et al.	D8/330
3,602,017 A	8/1971	Bauer	70/78	6,349,577 B1	2/2002	Hansen et al.	70/159
3,834,780 A	9/1974	McClellan et al.	312/219	D463,247 S	9/2002	Weinerman et al.	D8/330
3,964,280 A	6/1976	Kelton	70/84	6,454,320 B1	9/2002	Weinerman et al.	292/56
				D464,555 S	10/2002	Weinerman et al.	D8/330

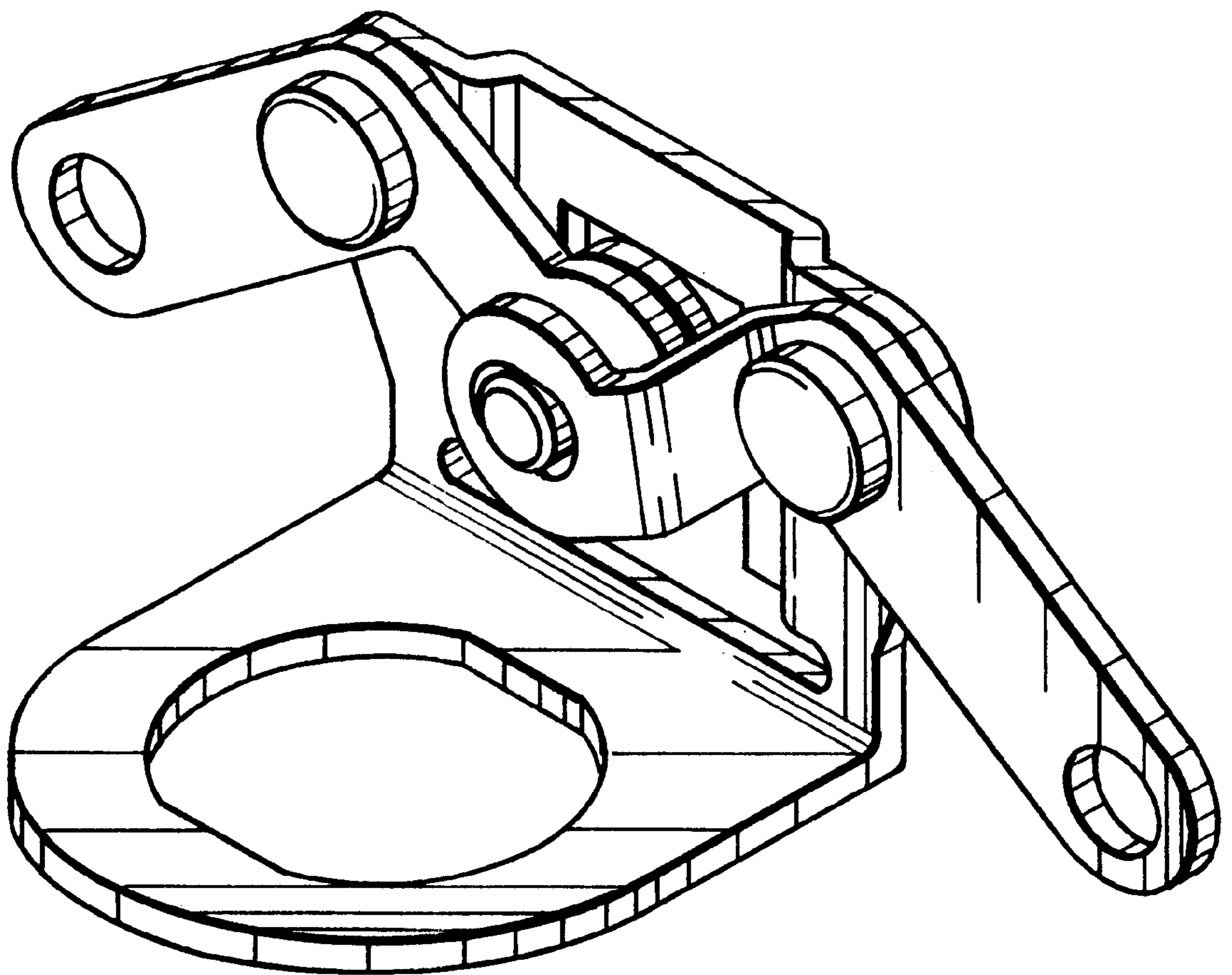


FIG. 1

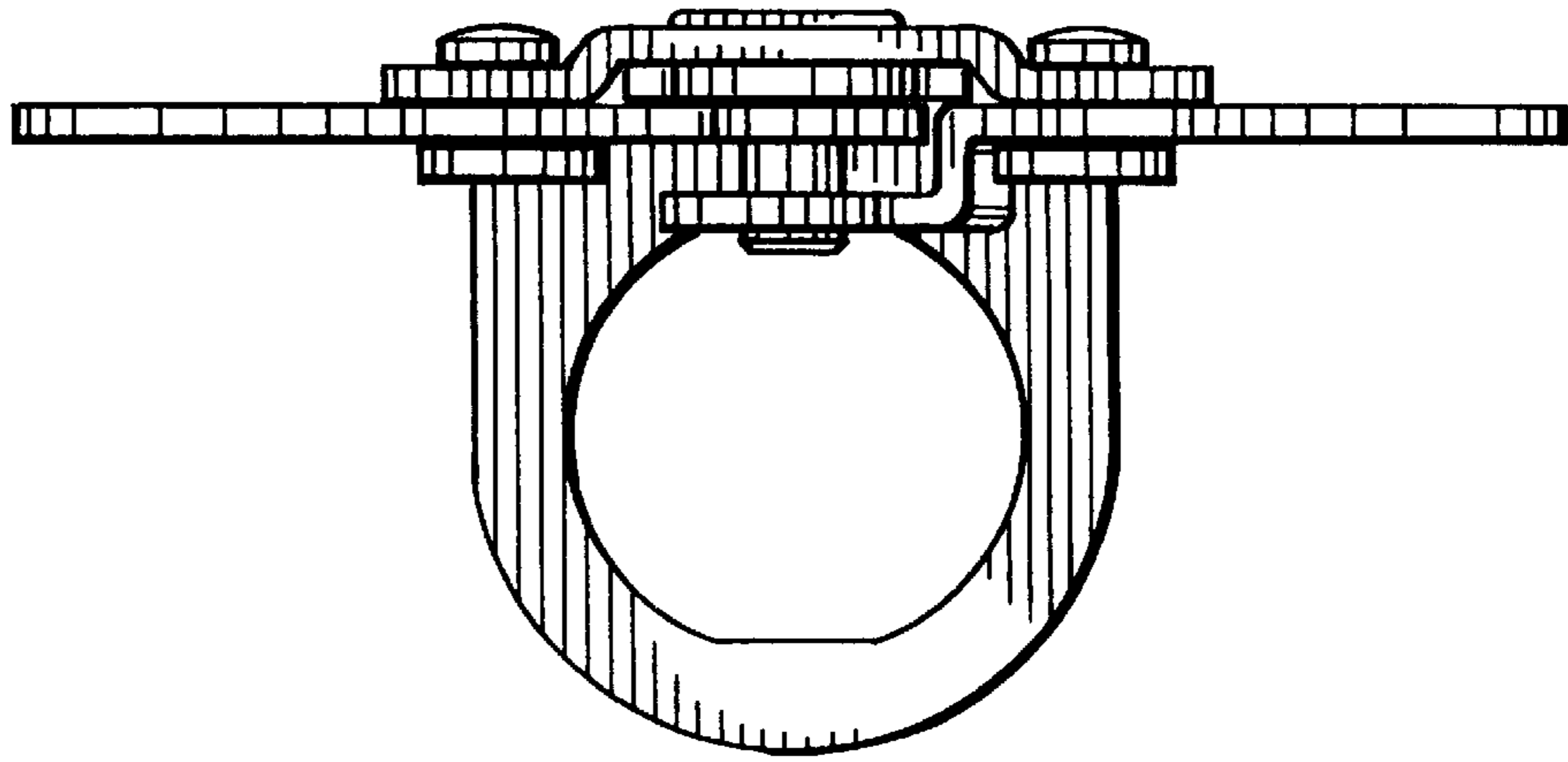


FIG. 2

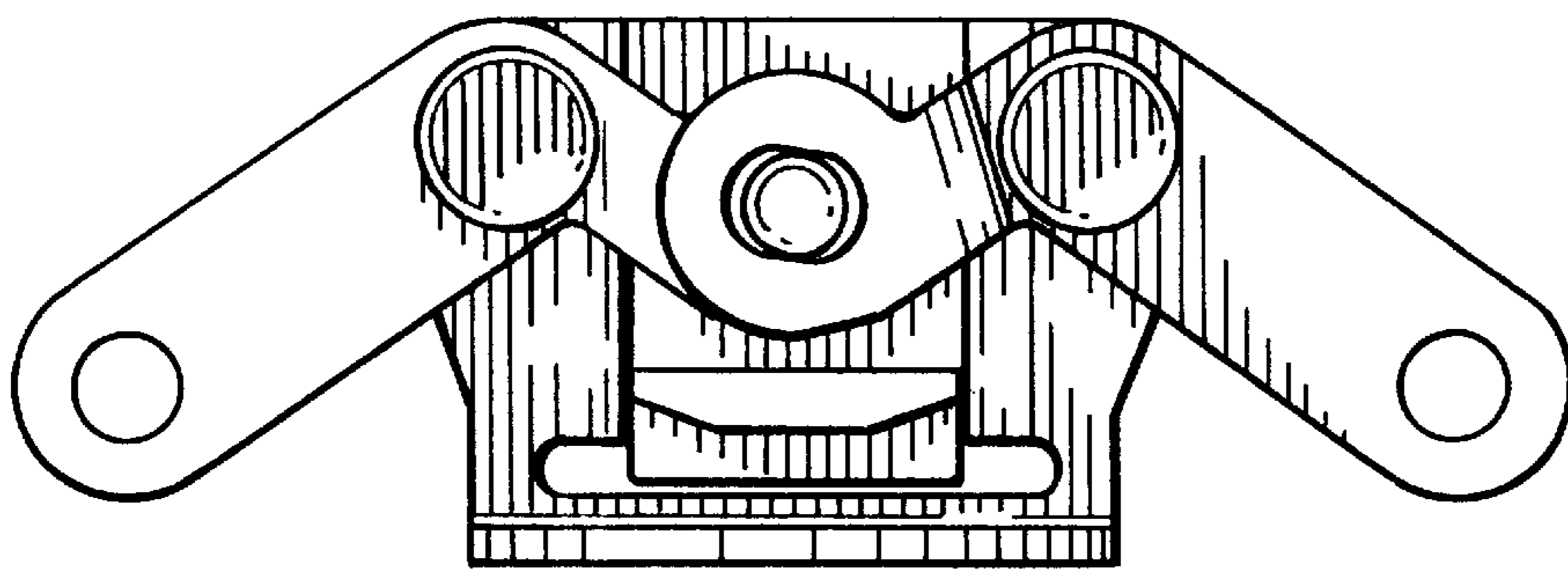


FIG. 3

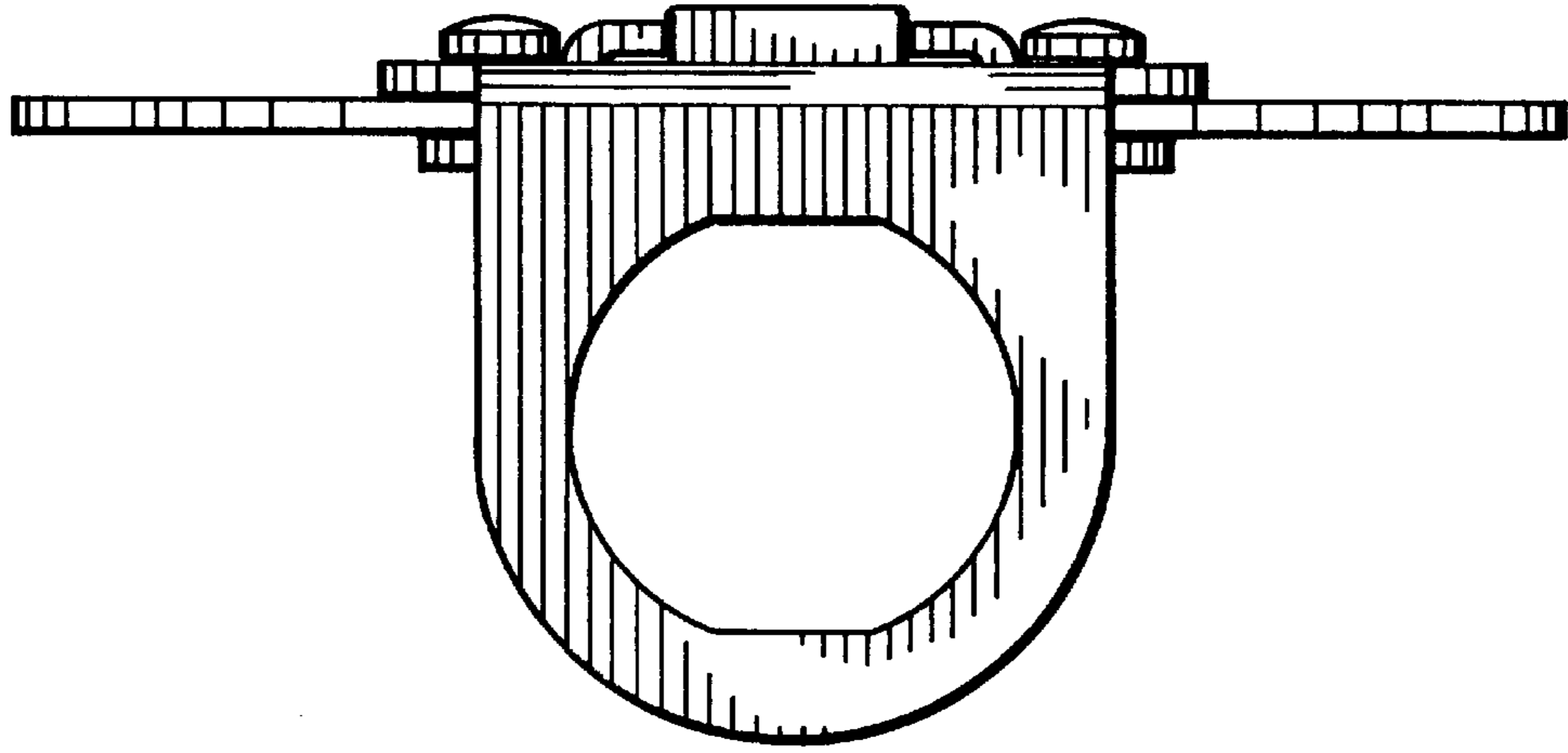


FIG. 4

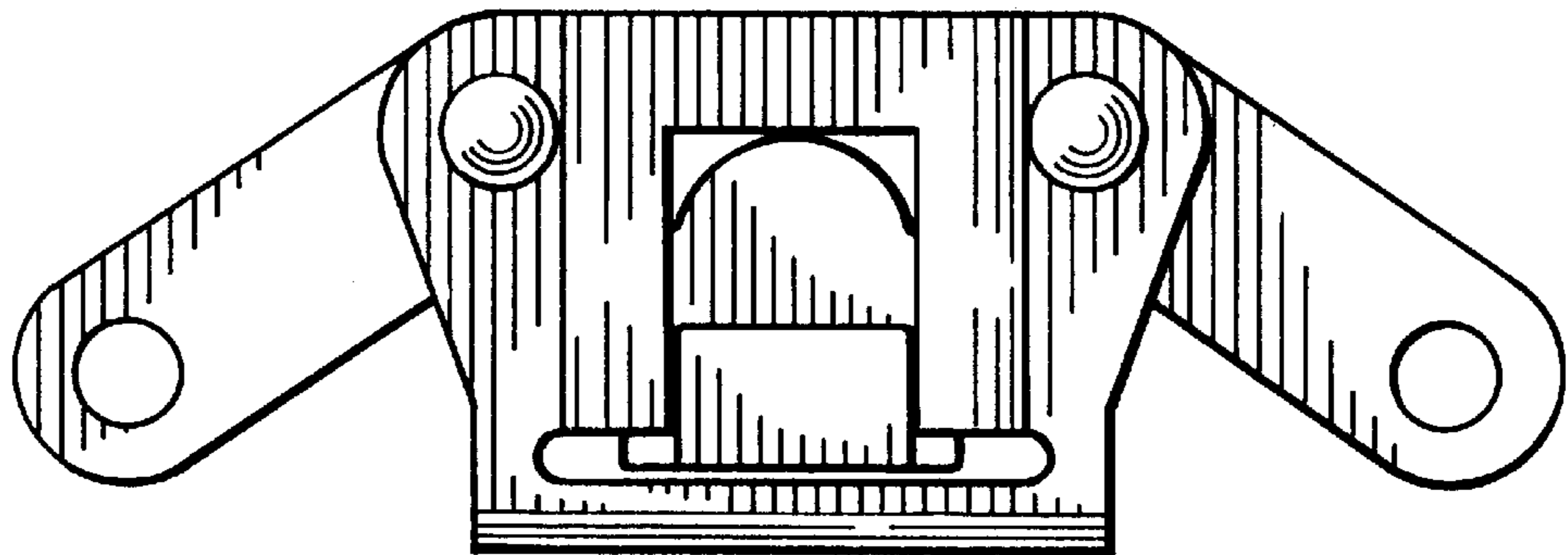


FIG. 5

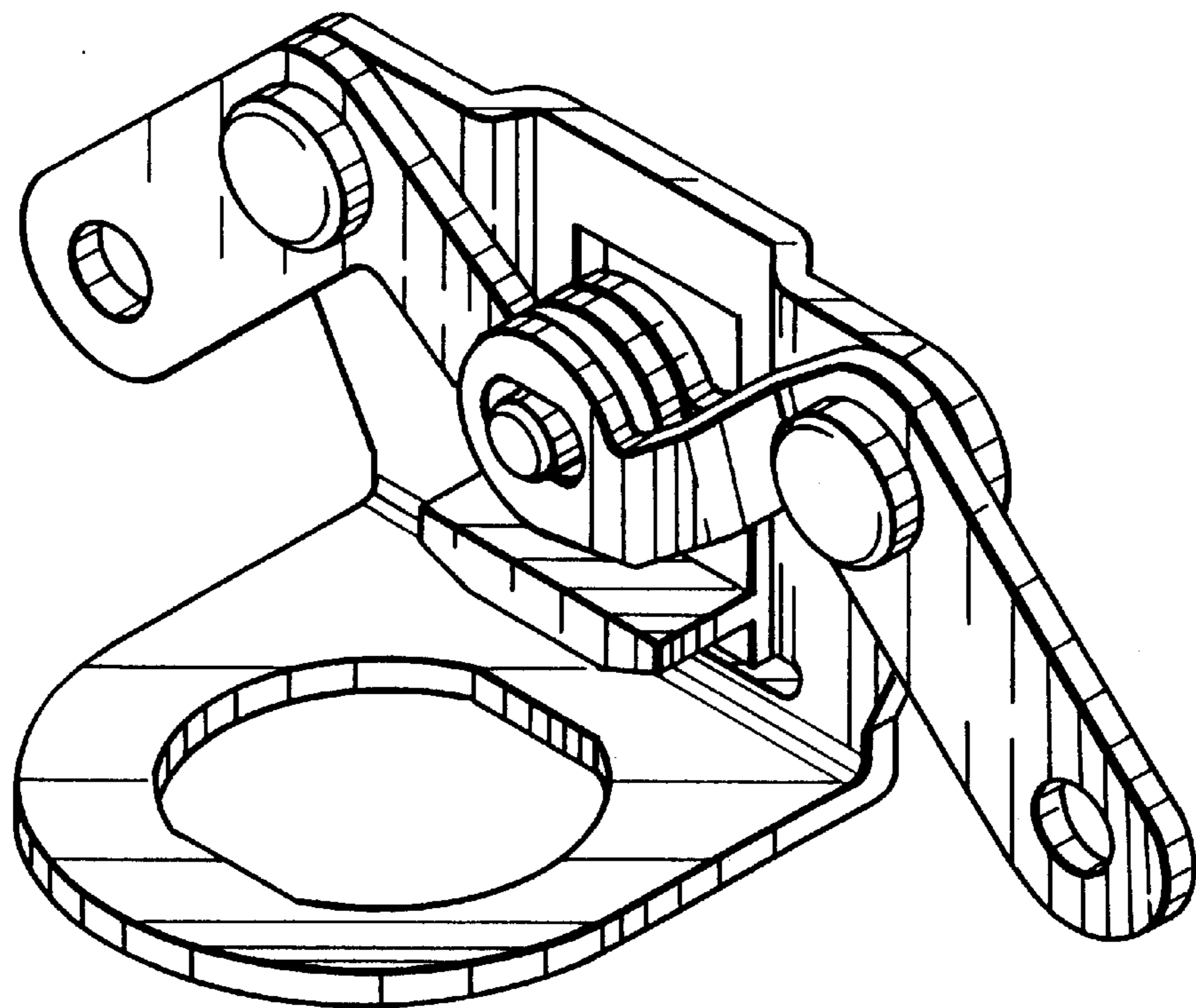


FIG. 6

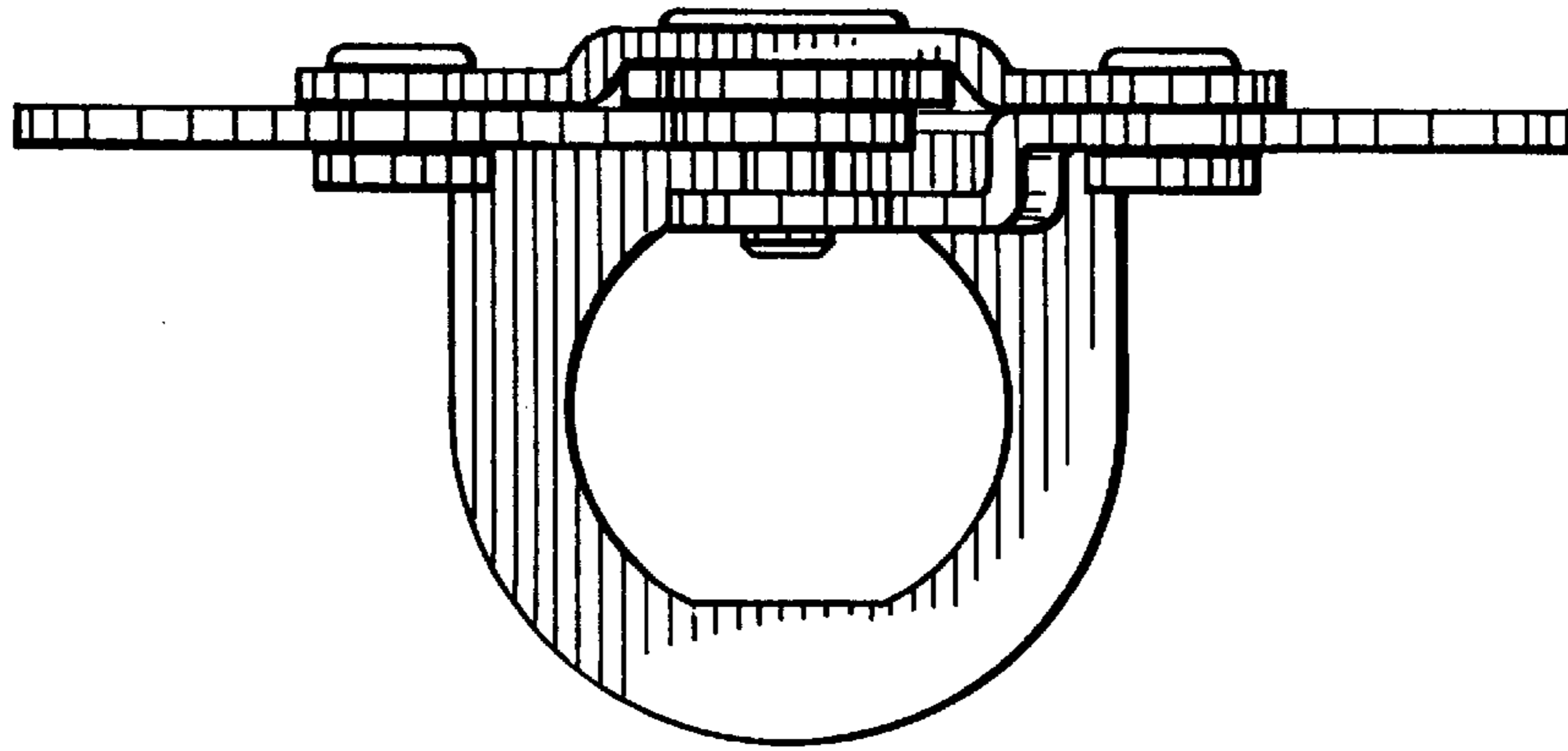


FIG. 7

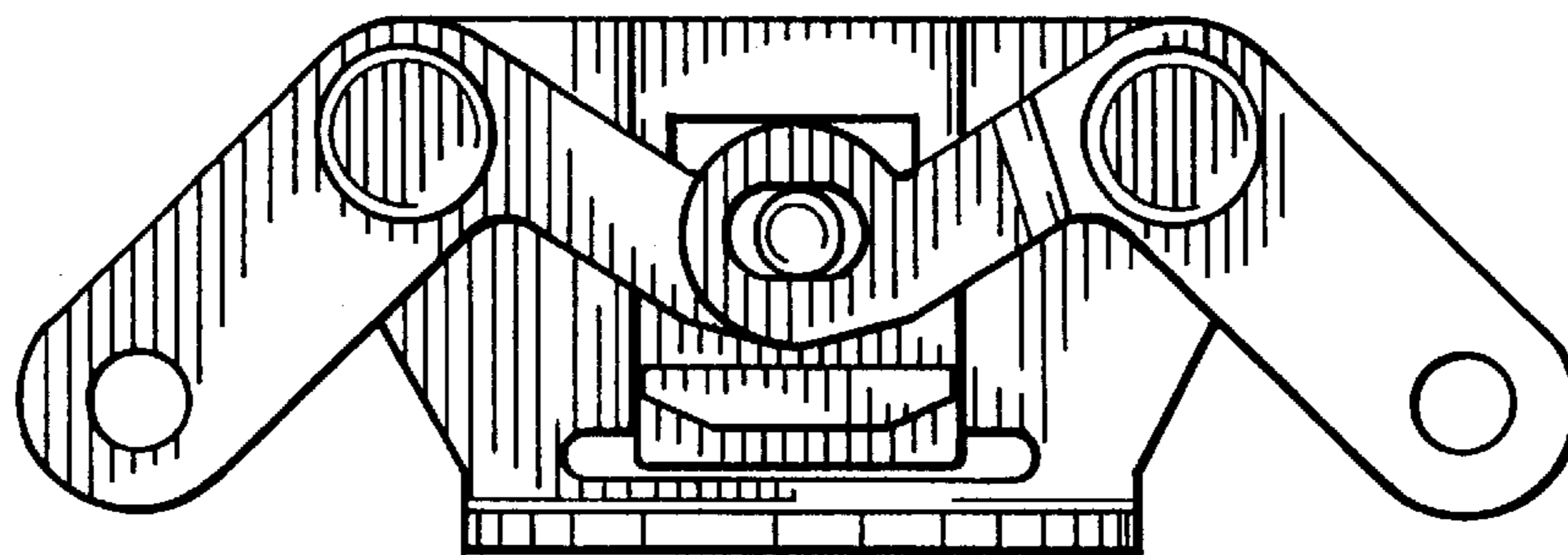


FIG. 8

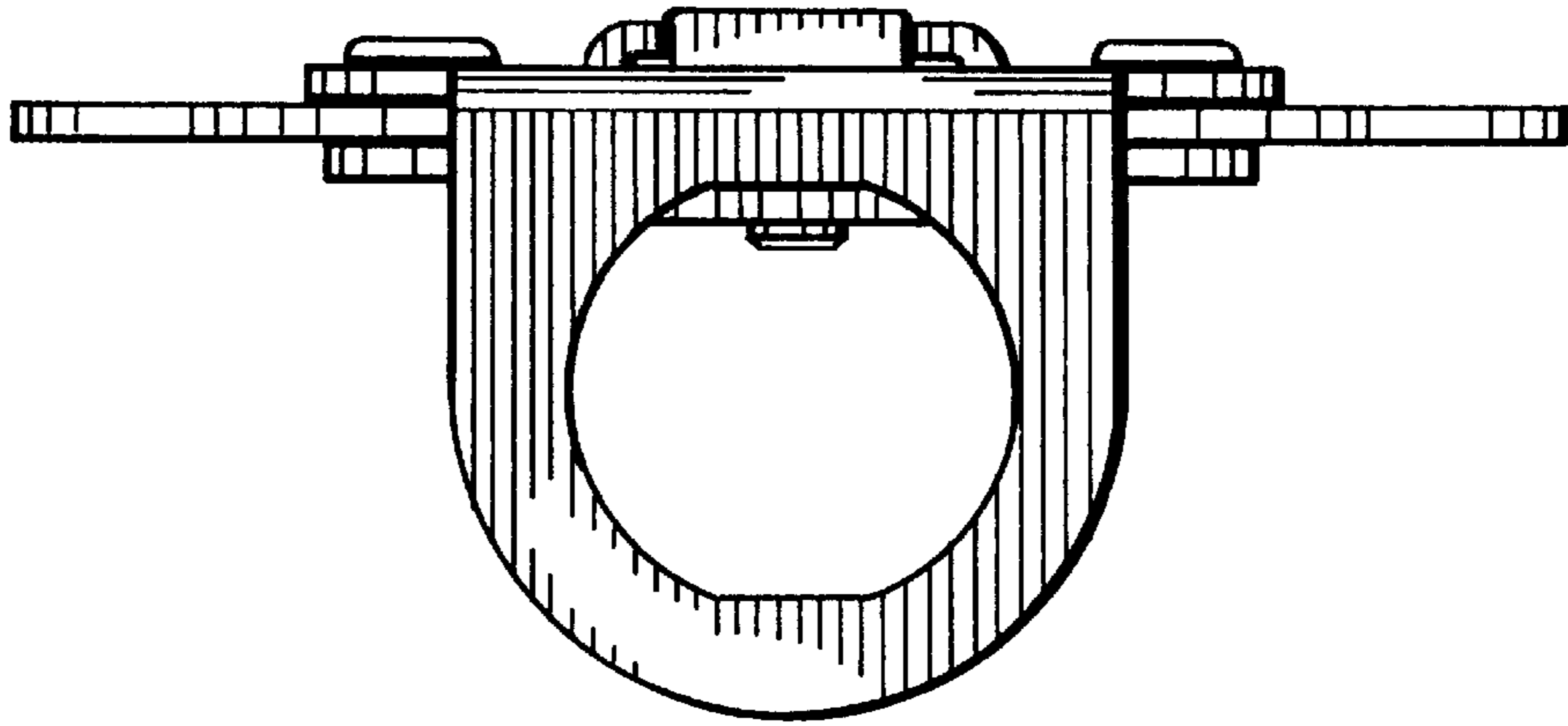


FIG. 9

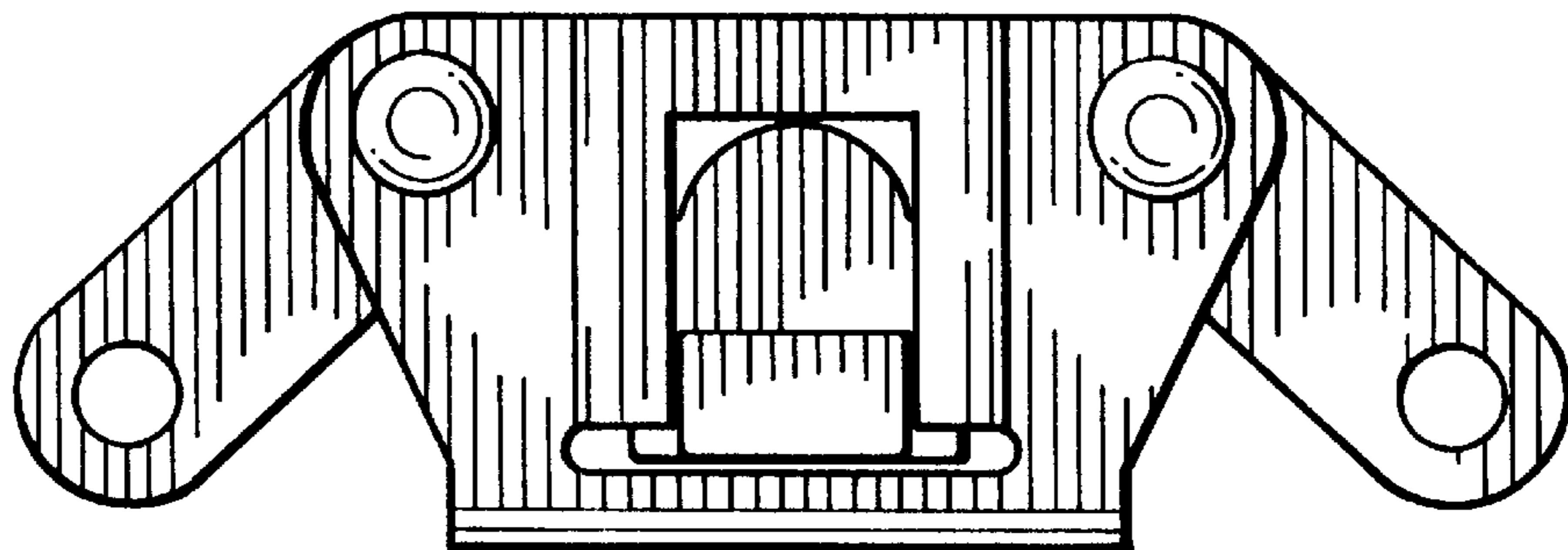


FIG. 10

UNITED STATES PATENT AND TRADEMARK OFFICE
CERTIFICATE OF CORRECTION

PATENT NO. : Des. 474,673 S
DATED : May 20, 2003
INVENTOR(S) : Weinerman et al.

Page 1 of 1

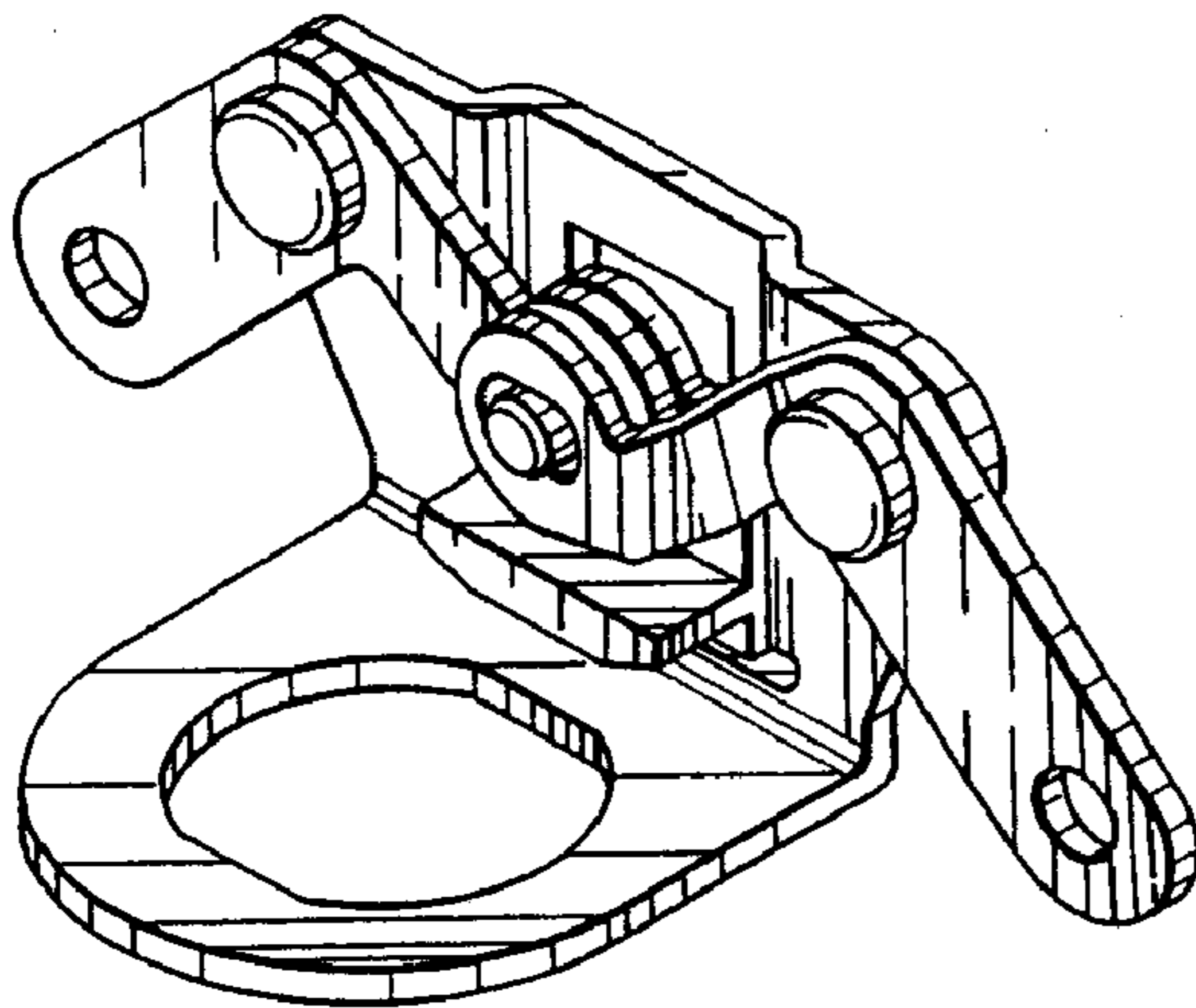
It is certified that error appears in the above-identified patent and that said Letters Patent is hereby corrected as shown below:

Title page,

Illustrative figure, the left one of two drawing figures that appear on the front page is cancelled.

Drawings,

FIGURE 1 is cancelled and is replaced by the correct FIGURE 1 shown below:



Signed and Sealed this

Twenty-first Day of October, 2003

JAMES E. ROGAN
Director of the United States Patent and Trademark Office