



US00D474671S

(12) **United States Design Patent**
Singtoroj et al.

(10) **Patent No.:** **US D474,671 S**

(45) **Date of Patent:** **** May 20, 2003**

(54) **LEVER HANDLE**

(75) Inventors: **Yos Singtoroj**, Anaheim, CA (US);
Alvin Tolosa, Ventura, CA (US)

(73) Assignee: **Newfrey LLC**, Newark, DE (US)

(**) Term: **14 Years**

(21) Appl. No.: **29/153,038**

(22) Filed: **Dec. 20, 2001**
(Under 37 CFR 1.47)

(51) **LOC (7) Cl.** **08-06**

(52) **U.S. Cl.** **D8/301; D8/308; D23/252**

(58) **Field of Search** **D8/300-302, 307,**
D8/308, 350, 352; D23/250-254; 16/110.1;
292/336.3, 357, 356, 347

(56) **References Cited**

U.S. PATENT DOCUMENTS

877,045 A	1/1908	Brooks
D76,560 S	10/1928	Smith
D76,827 S	11/1928	Smith
D84,462 S	6/1931	Clemmons
D85,498 S	11/1931	Teller et al.
D96,625 S	8/1935	Robinovitz
D96,839 S	9/1935	Johnston
D126,074 S	3/1941	Judell

D299,852 S	2/1989	Paul	
D405,162 S	2/1999	Doughty et al.	
D405,509 S	2/1999	Doughty et al.	
D428,118 S	7/2000	McKeone	
D429,521 S	8/2000	Doughty et al.	
D461,536 S	* 8/2002	Sintoroj D23/252

* cited by examiner

Primary Examiner—B. J. Bullock

(74) *Attorney, Agent, or Firm*—Richard J. Veltman; John D. Del Ponti

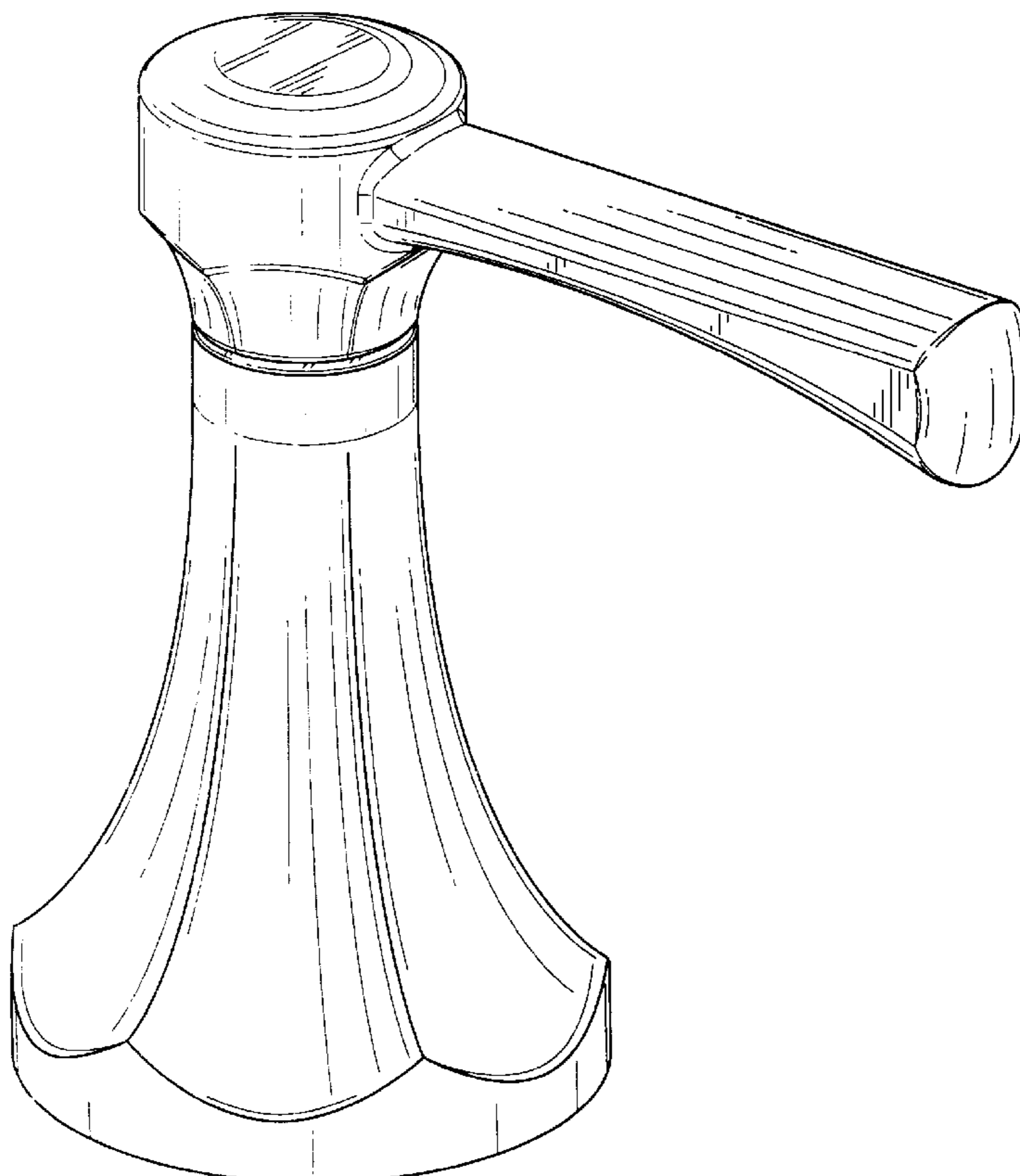
(57) **CLAIM**

The ornamental design for a lever handle, as shown.

DESCRIPTION

FIG. 1 is a perspective view of the new design for a lever handle;
 FIG. 2 is a front elevational view of the new design for a lever handle, the rear elevational view being a mirror image;
 FIG. 3 is a top plan view of the new design for a lever handle;
 FIG. 4 is a bottom plan view of the new design for a lever handle;
 FIG. 5 is a right side elevational view of the new design for a lever handle; and,
 FIG. 6 is a left side elevational view of the new design for a lever handle.

1 Claim, 6 Drawing Sheets



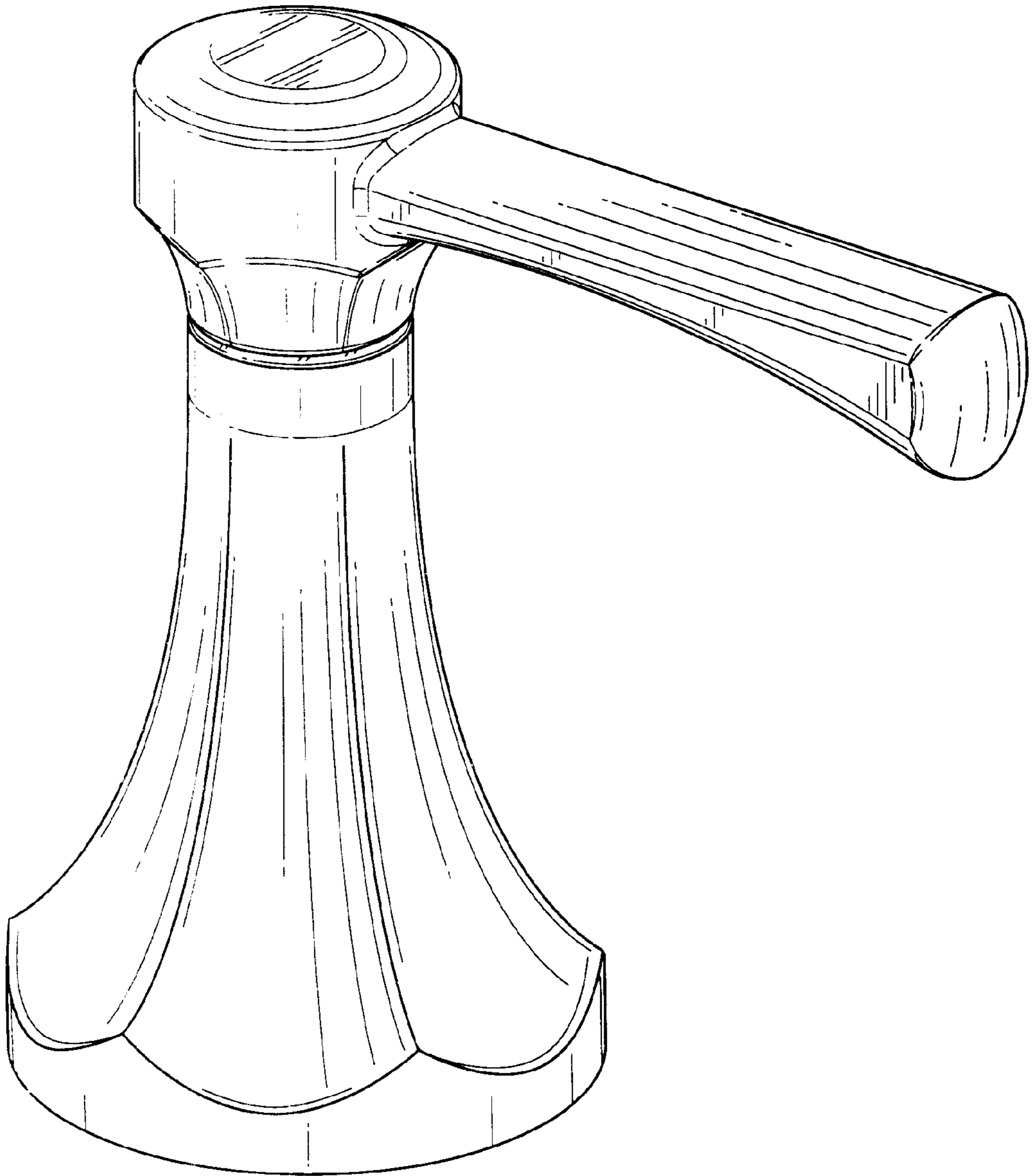


FIG. 1

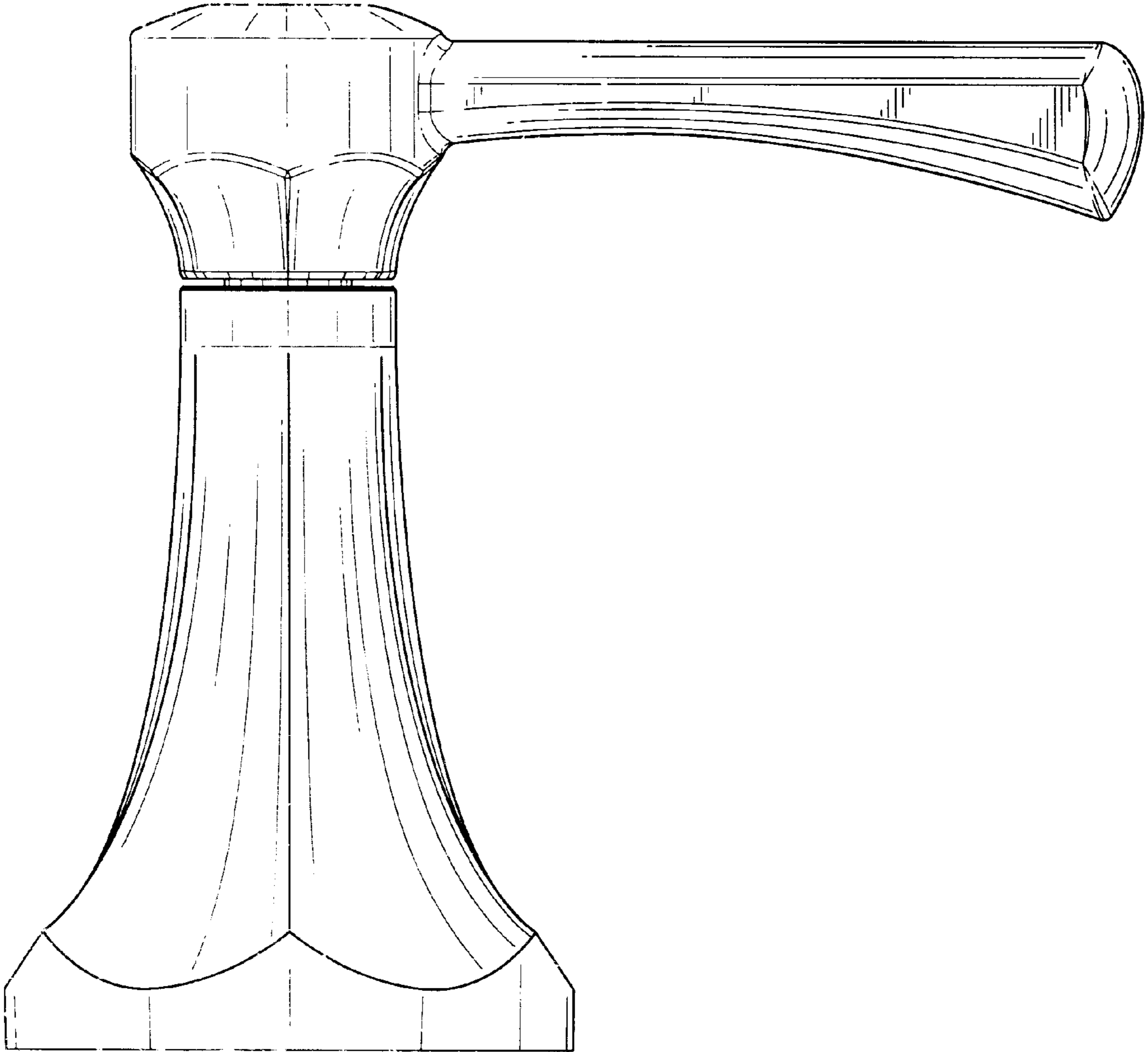


FIG. 2

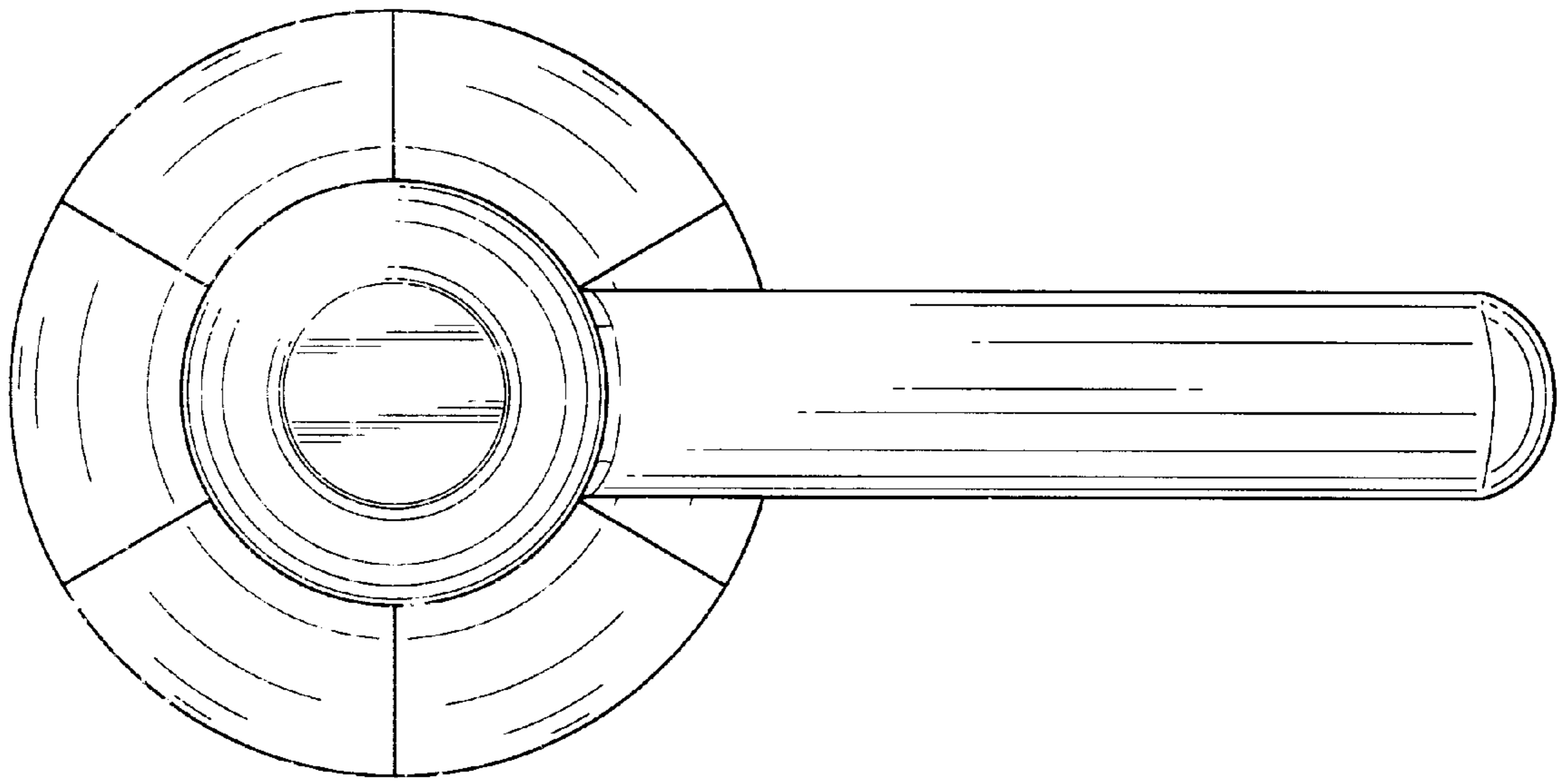


FIG. 3

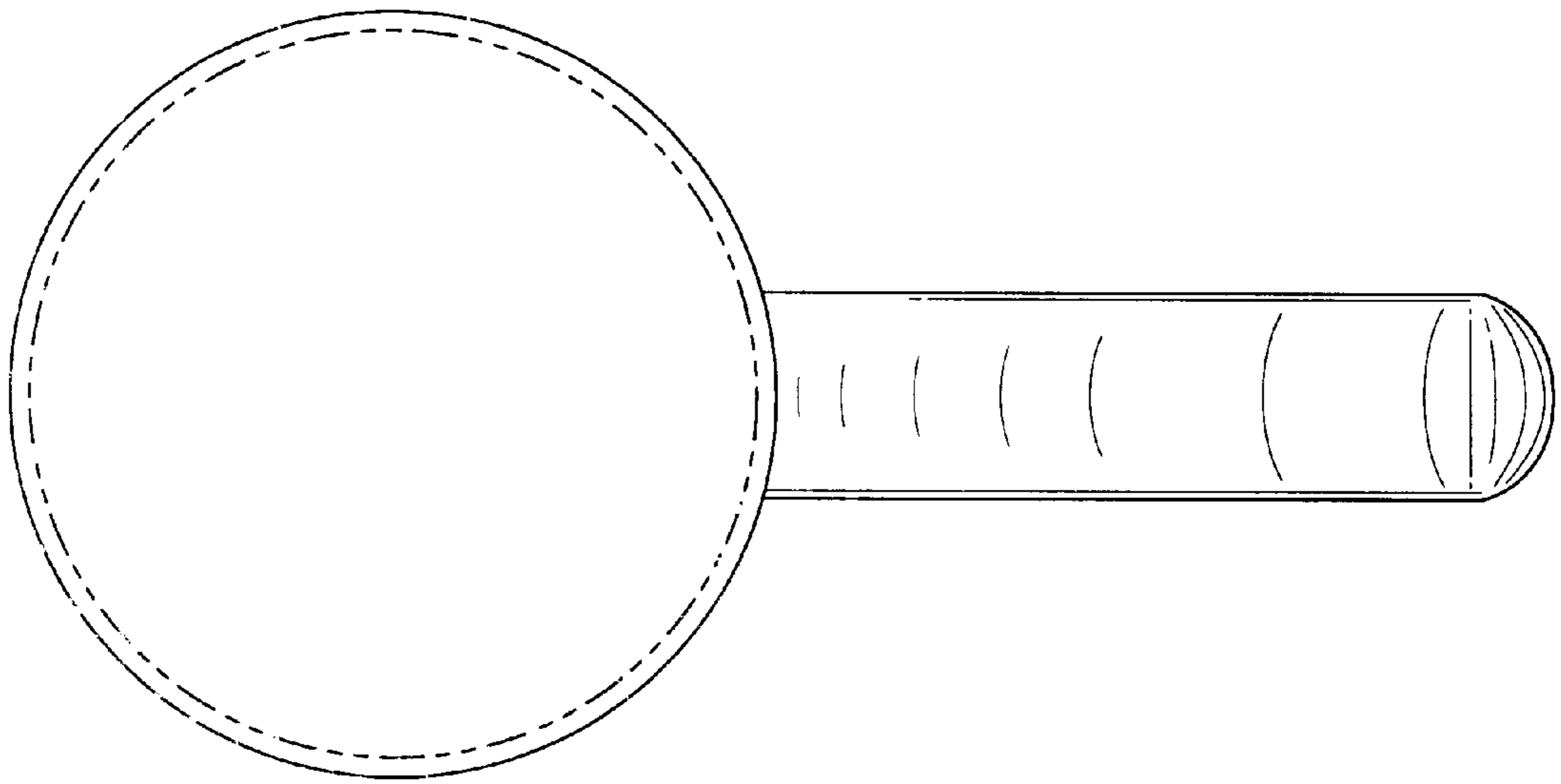


FIG. 4

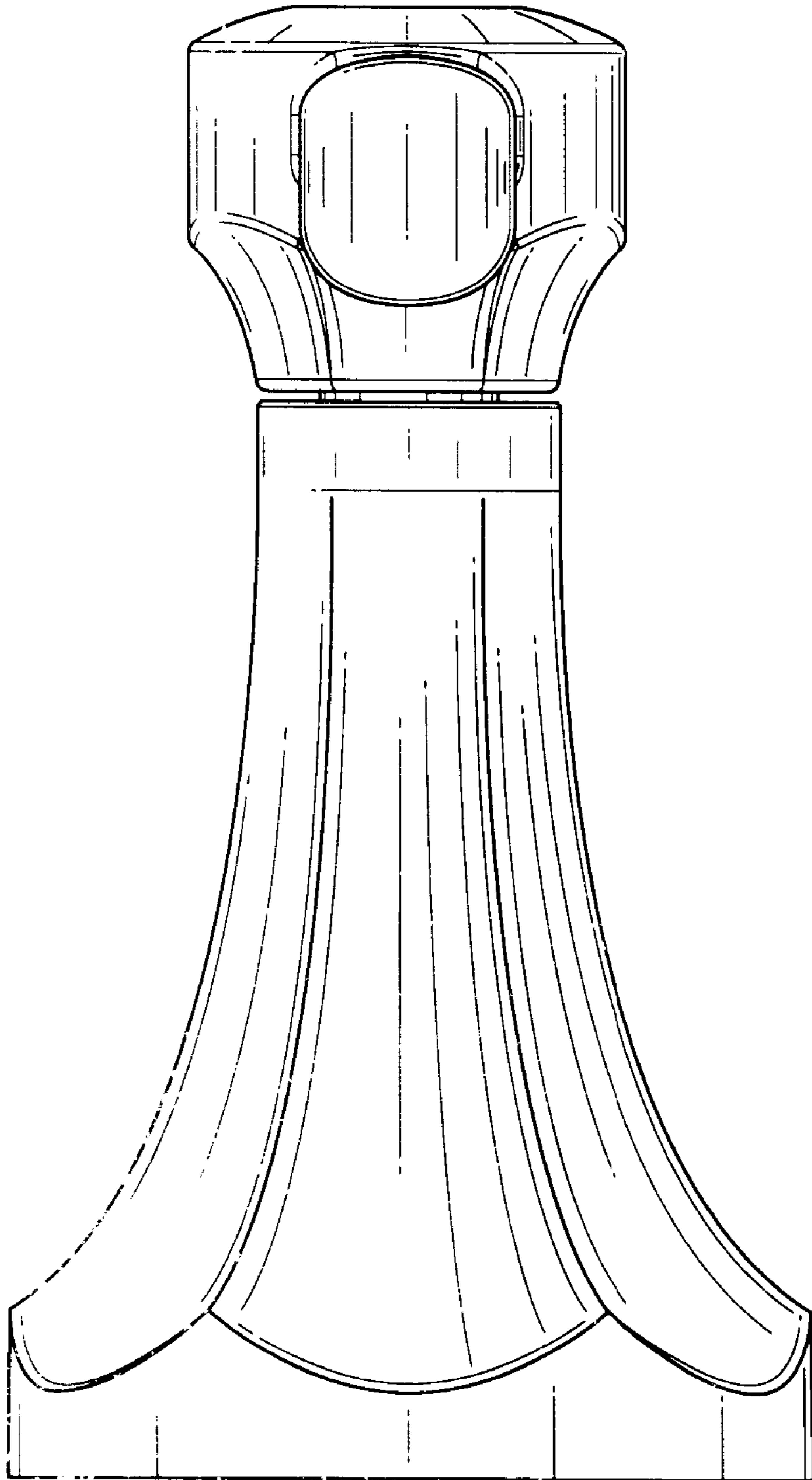


FIG. 5

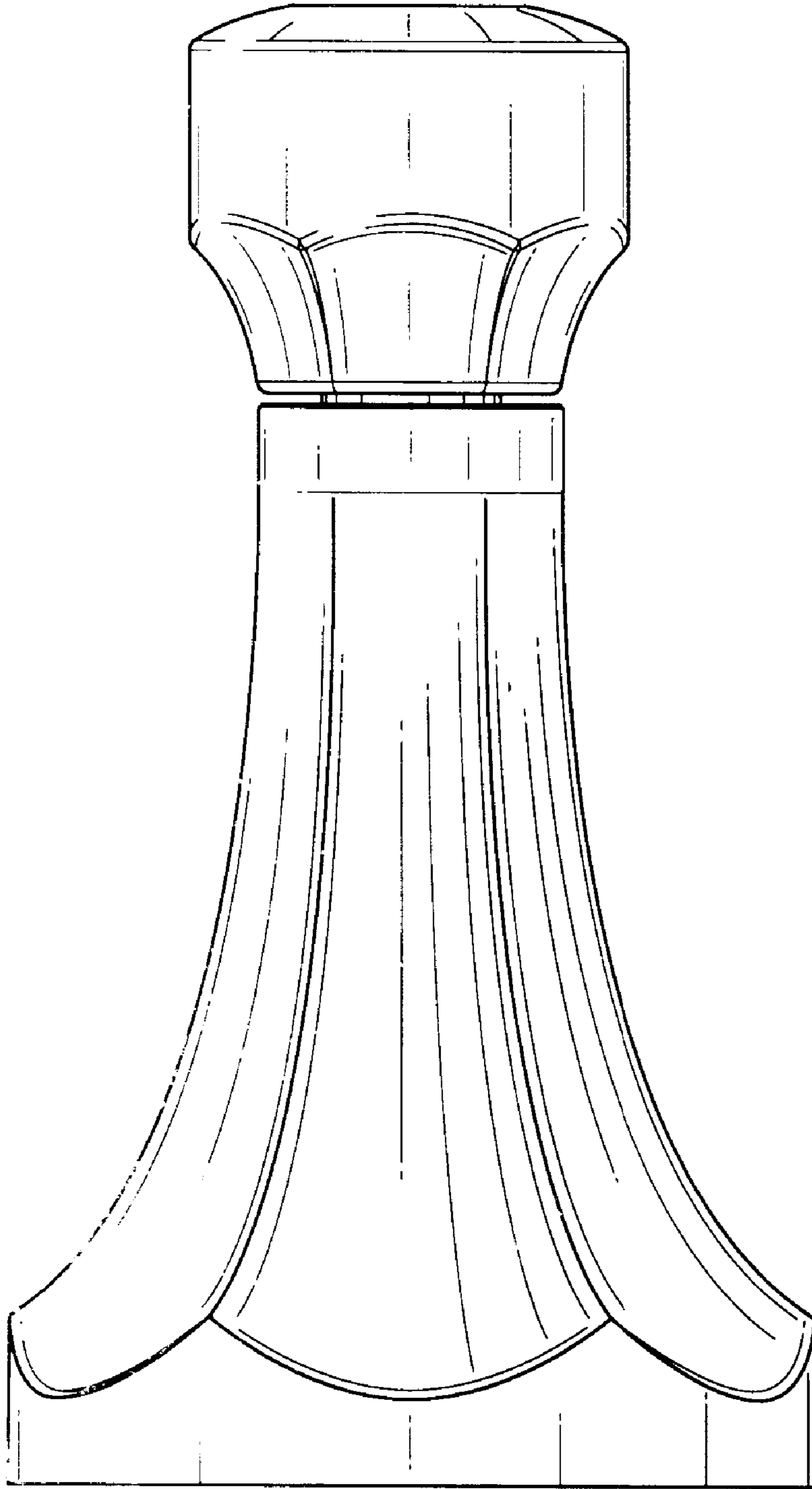


FIG. 6