



US00D474668S

(12) **United States Design Patent**  
**McDonald et al.**

(10) **Patent No.:** **US D474,668 S**

(45) **Date of Patent:** **\*\* May 20, 2003**

(54) **RAZOR BLADE TOOL**

(75) Inventors: **Dave McDonald**, Merrimack, NH (US);  
**Eric Litscher**, Hopkinton, MA (US);  
**John DePiano**, Burlington, MA (US);  
**Roy Heinz**, Waltham, MA (US); **Will**  
**Wear**, Arlington, MA (US); **Gregory F.**  
**McCool**, Staunton, VA (US); **Jeffrey W.**  
**Wonderley**, Fort Defiance, VA (US)

(73) Assignee: **American Safety Razor Company**,  
Verona, VA (US)

(\*\*) Term: **14 Years**

(21) Appl. No.: **29/126,384**

(22) Filed: **Jul. 17, 2000**

(51) **LOC (7) Cl.** ..... **08-03**

(52) **U.S. Cl.** ..... **D8/98**

(58) **Field of Search** ..... D8/14, 51, 98,  
D8/99, 107; 30/123, 162, 335, 339, 2, 306,  
307, 319

(56) **References Cited**

**U.S. PATENT DOCUMENTS**

2,255,930 A	9/1941	Jepson	30/320
4,020,550 A	5/1977	Okada	30/124
4,089,111 A	5/1978	Karpp	30/154
4,312,128 A	1/1982	Olsen	30/157
4,408,396 A	10/1983	Scholl	30/294
4,447,950 A	5/1984	Mizelle	30/155
4,481,689 A	11/1984	Westmoreland	15/236 R
4,503,612 A	3/1985	Davis	30/2
D278,408 S	4/1985	Shampang	D8/98
4,617,736 A	10/1986	McCrary	30/169
D307,859 S	5/1990	Morrissey	D8/98
5,010,648 A	4/1991	Takigawa	30/195
5,101,564 A	4/1992	Melter	30/319
D327,209 S	6/1992	Takigawa	D8/99
5,251,379 A	10/1993	Kuo	30/293
5,299,355 A	4/1994	Boda et al.	30/162
5,303,469 A	4/1994	Yin-Han	30/2
5,435,064 A	7/1995	Brookfield	30/169

5,617,635 A	4/1997	Berns	30/162
D388,305 S	* 12/1997	Schulz et al.	D8/98
5,711,077 A	1/1998	Schulz et al.	30/160
5,765,288 A	6/1998	Hagler, Jr.	30/280
5,765,289 A	6/1998	Schulz et al.	30/319
5,771,589 A	6/1998	Kim	30/346.58
D410,188 S	5/1999	Dossett	D8/99
5,906,050 A	5/1999	Gilbert	30/162
D411,429 S	6/1999	Gringer	D8/95
5,960,545 A	10/1999	Shepherd et al.	30/125
5,966,817 A	10/1999	Lee	30/162
5,979,057 A	* 11/1999	Chao	30/125
6,000,137 A	12/1999	Gamba	30/169
D420,270 S	* 2/2000	Martone	D8/99
D423,317 S	* 4/2000	Takeshita	D8/98
D438,084 S	* 2/2001	Khachatoorian	D8/98

\* cited by examiner

*Primary Examiner*—Philip S. Hyder

(74) *Attorney, Agent, or Firm*—McDermott, Will & Emery

(57) **CLAIM**

The ornamental design for a razor blade tool, as shown and described.

**DESCRIPTION**

FIG. 1 is a perspective view of an embodiment of the razor blade tool design of the invention.

FIG. 2 is a front side view of the razor blade tool design shown in FIG. 1.

FIG. 3 is a rear side view of the razor blade tool design shown in FIG. 1.

FIG. 4 is a right side view of the razor blade tool design shown in FIG. 1.

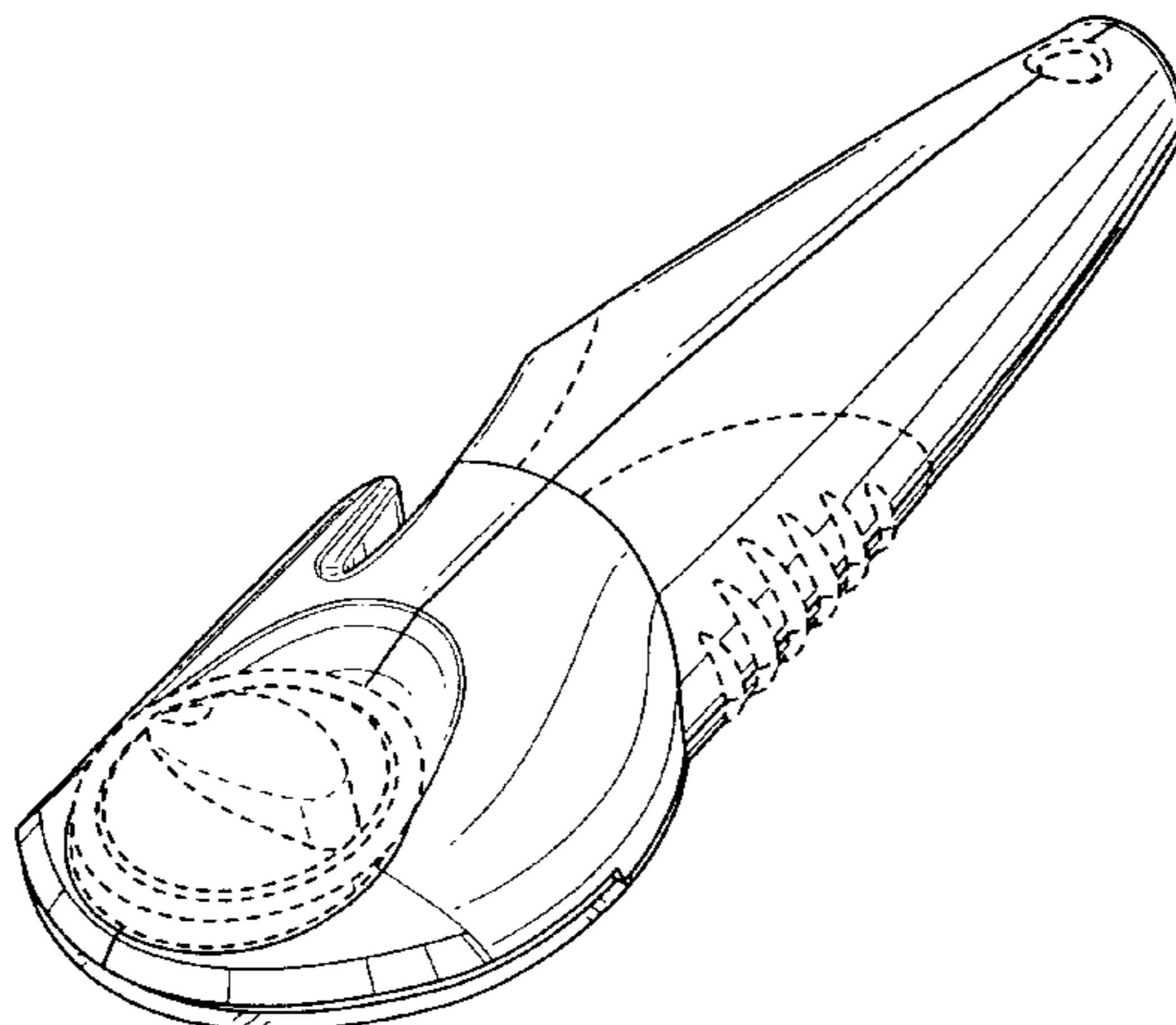
FIG. 5 is a left side view of the razor blade tool design shown in FIG. 1.

FIG. 6 is a top side view of the razor blade tool design shown in FIG. 1; and,

FIG. 7 is a bottom side view of the razor blade tool design shown in FIG. 1.

The broken line portions of the disclosure are for illustrative purposes only and form no part of the claimed design.

**1 Claim, 6 Drawing Sheets**



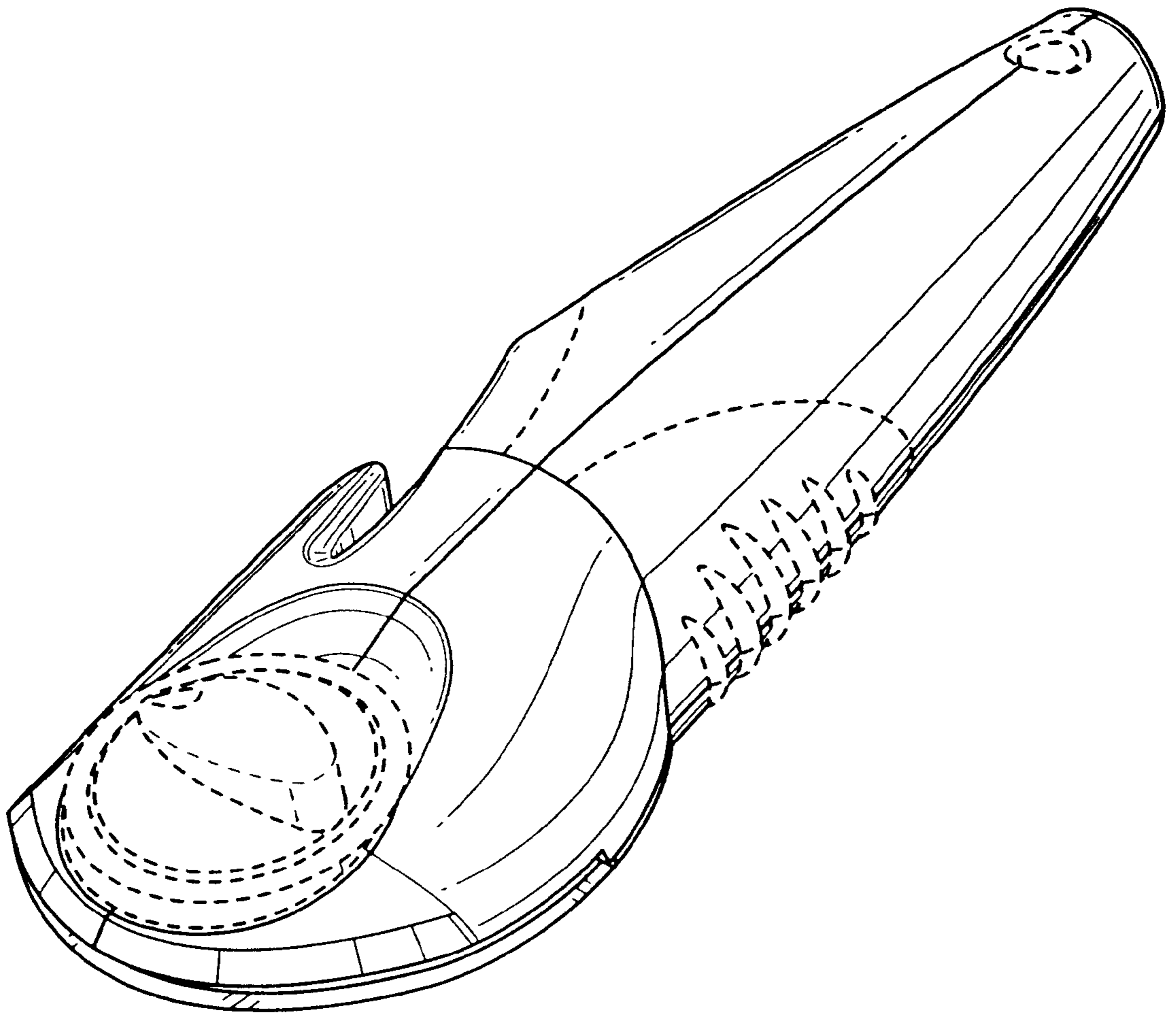


FIG. 1

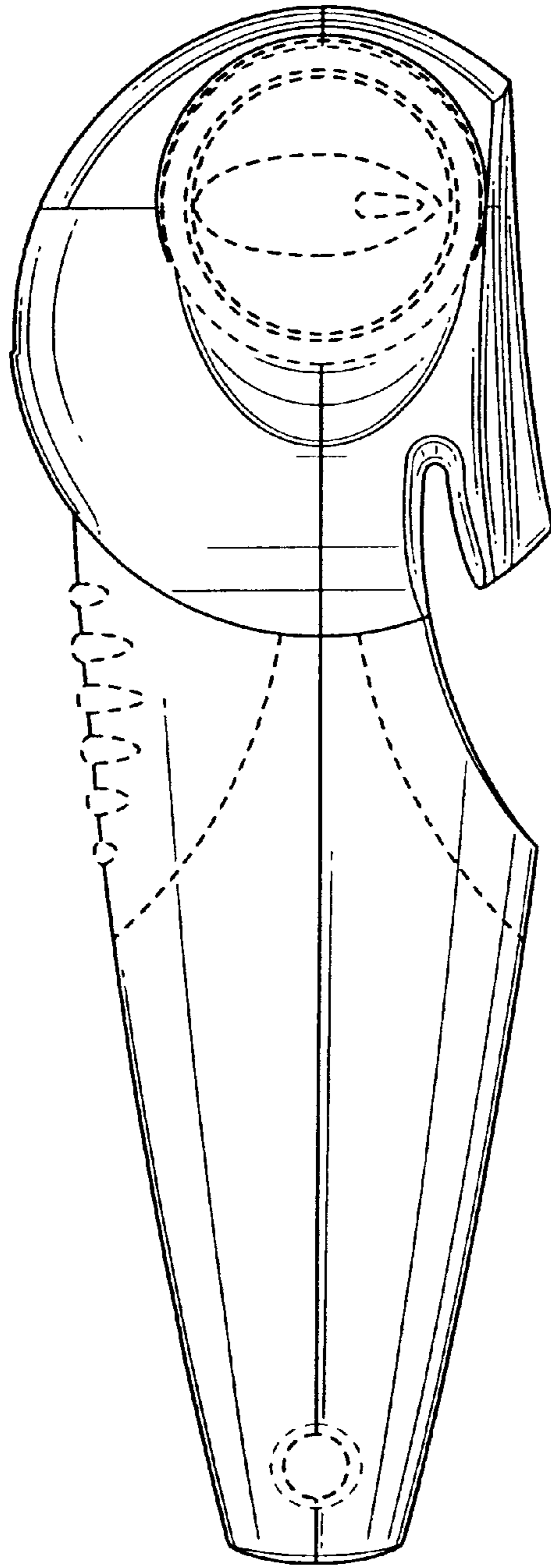


FIG. 2

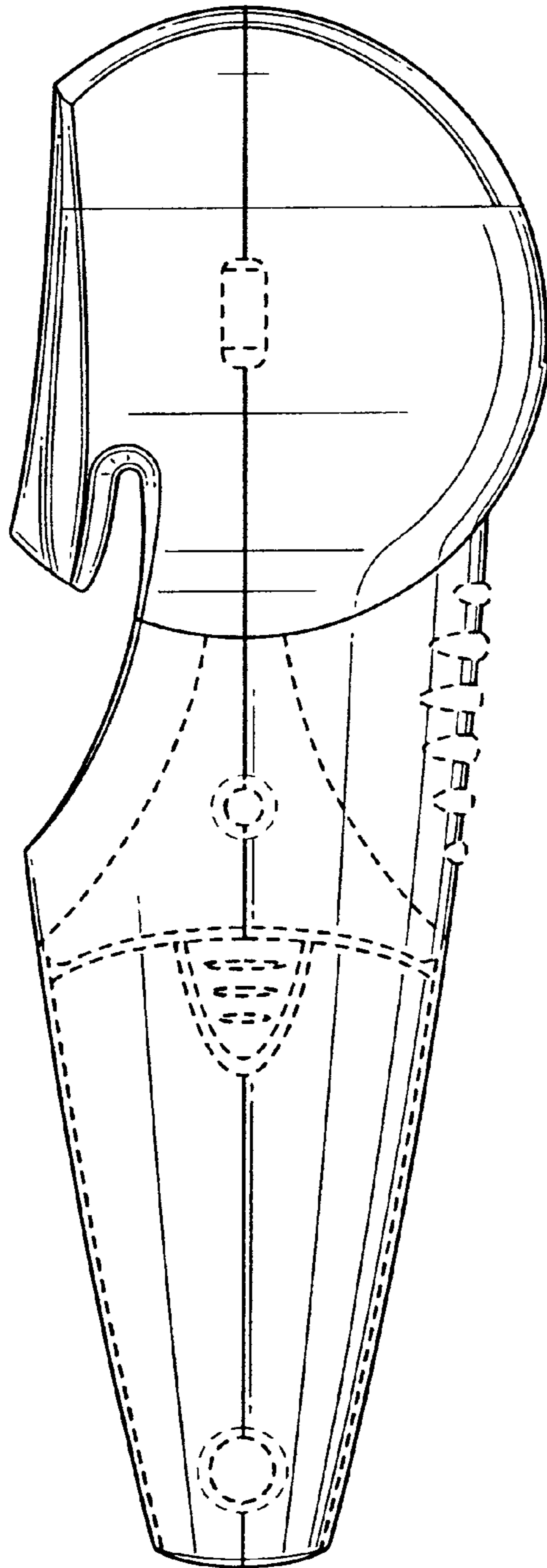


FIG. 3

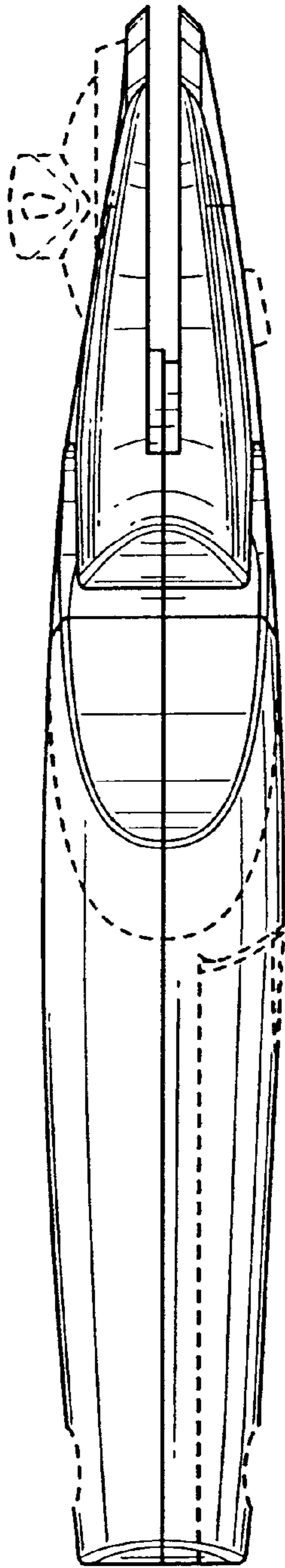


FIG. 4

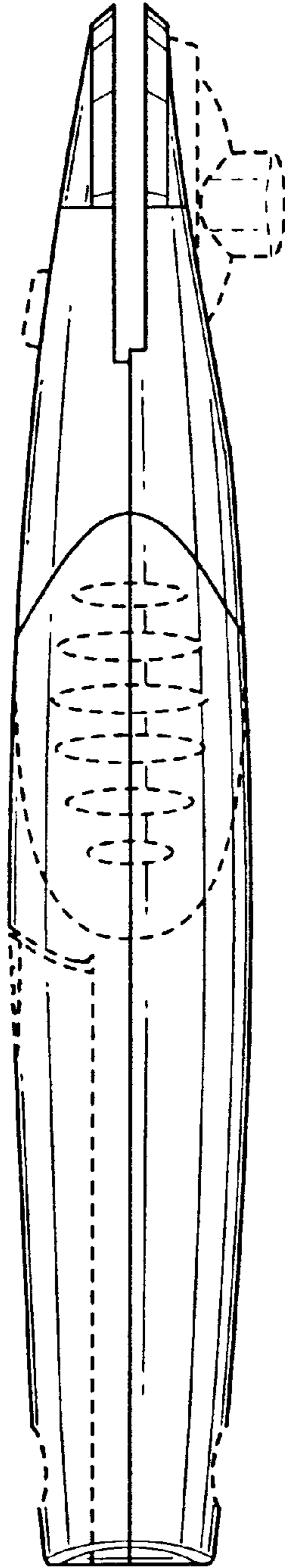


FIG. 5

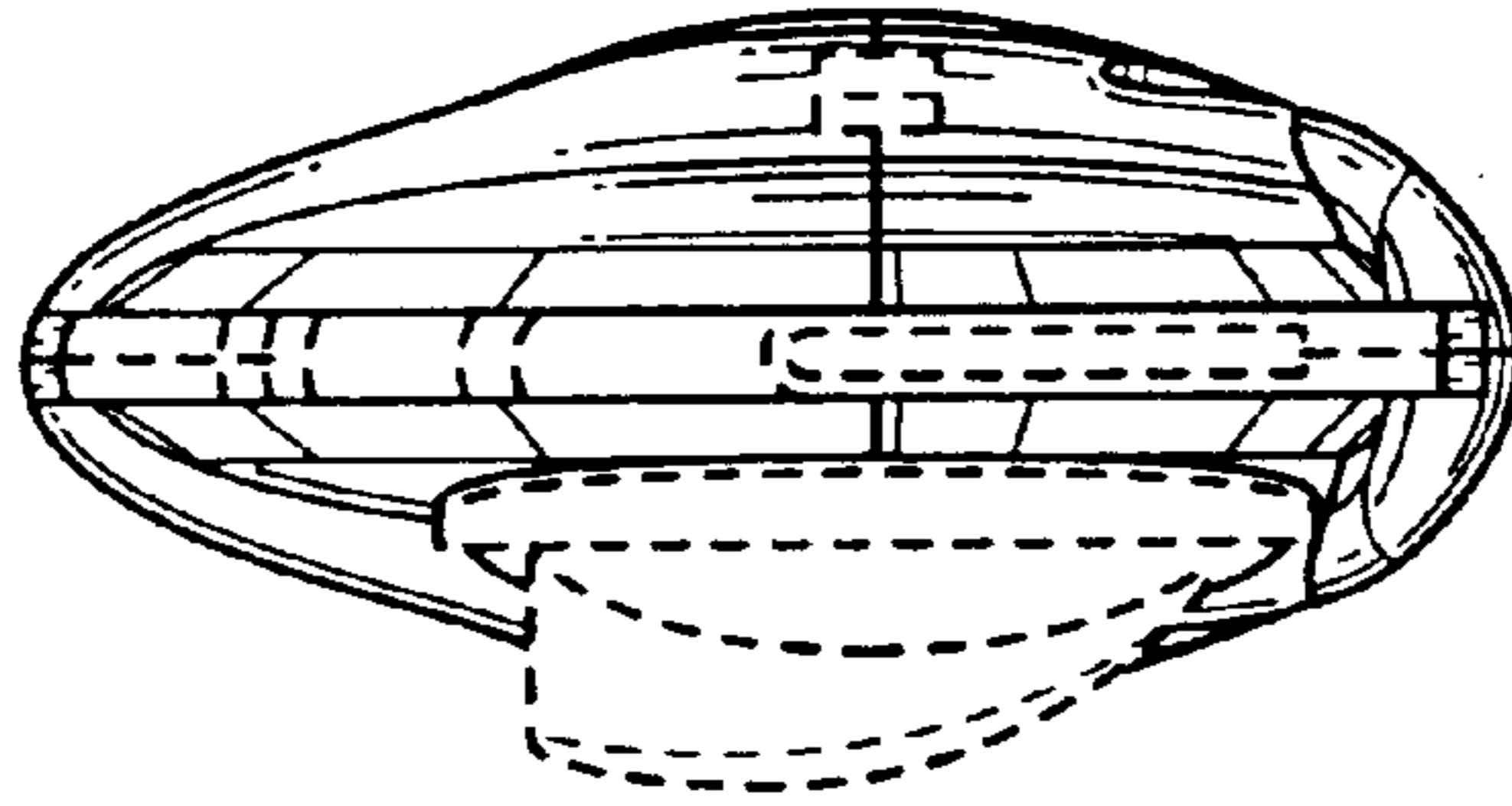


FIG. 6

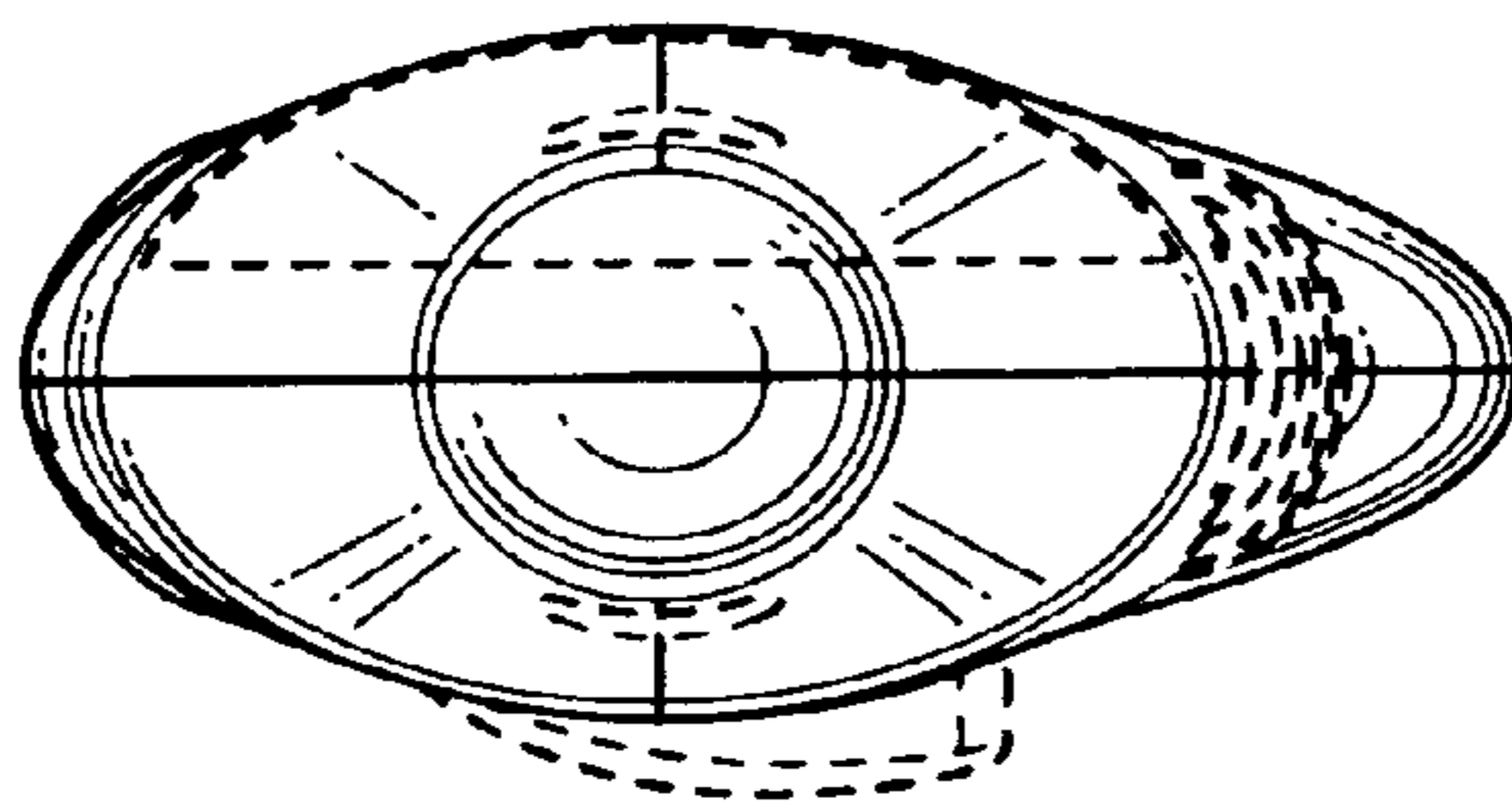


FIG. 7