



US00D474665S

(12) **United States Design Patent**
Taylor

(10) **Patent No.:** **US D474,665 S**

(45) **Date of Patent:** **** May 20, 2003**

(54) **PORTION OF A TOOL HOUSING**

(75) **Inventor:** **Walter J. Taylor, McHenry, IL (US)**

(73) **Assignee:** **Illinois Tool Works Inc., Glenview, IL (US)**

(**) **Term:** **14 Years**

(21) **Appl. No.:** **29/162,017**

(22) **Filed:** **Jun. 7, 2002**

(51) **LOC (7) Cl.** **08-05**

(52) **U.S. Cl.** **D8/69**

(58) **Field of Search** D8/61, 62, 63,
D8/64, 65, 66, 67, 68, 69, 70; 81/57.11,
429, 464, 465, 466, 469, 489; 173/13, 169,
178; 227/8, 114, 120, 130, 136, 142; 310/50;
408/20, 124, 125, 234, 241 R; 451/358

(56) **References Cited**

U.S. PATENT DOCUMENTS

- D288,769 S * 3/1987 Doman D8/68
- D294,001 S * 2/1988 Greenlee et al. D8/68
- D377,894 S * 2/1997 Sung D8/68
- D410,182 S 5/1999 Etter et al.

- 6,062,323 A * 5/2000 Pusateri et al. 173/169
- D447,398 S * 9/2001 Bazayev et al. D8/68
- 6,338,389 B1 * 1/2002 Chang 173/169
- D458,824 S * 6/2002 Chen D8/68

* cited by examiner

Primary Examiner—Doris V. Coles

Assistant Examiner—T. Chase Nelson

(74) *Attorney, Agent, or Firm*—Lisa M. Soltis; Mark W. Croll; Donald J. Poreh

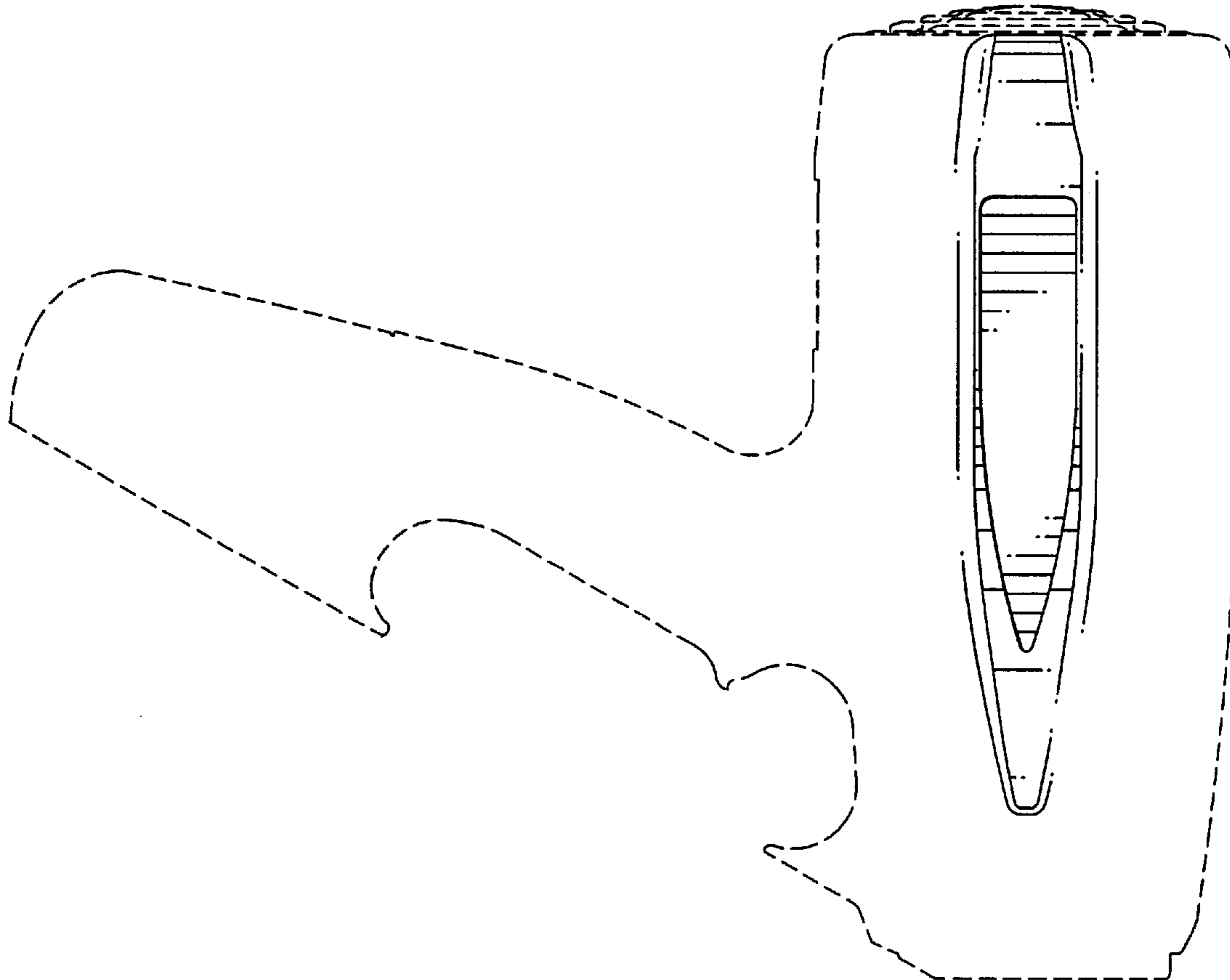
(57) **CLAIM**

The ornamental design for a portion of a tool housing, as shown and described.

DESCRIPTION

FIG. 1 is a right side view of the portion of a tool housing of the present invention;
 FIG. 2 is a left side view thereof;
 FIG. 3 is a bottom view thereof;
 FIG. 4 is a top view thereof;
 FIG. 5 is a front view of the present portion of a tool housing; and,
 FIG. 6 is a rear view thereof.

1 Claim, 5 Drawing Sheets



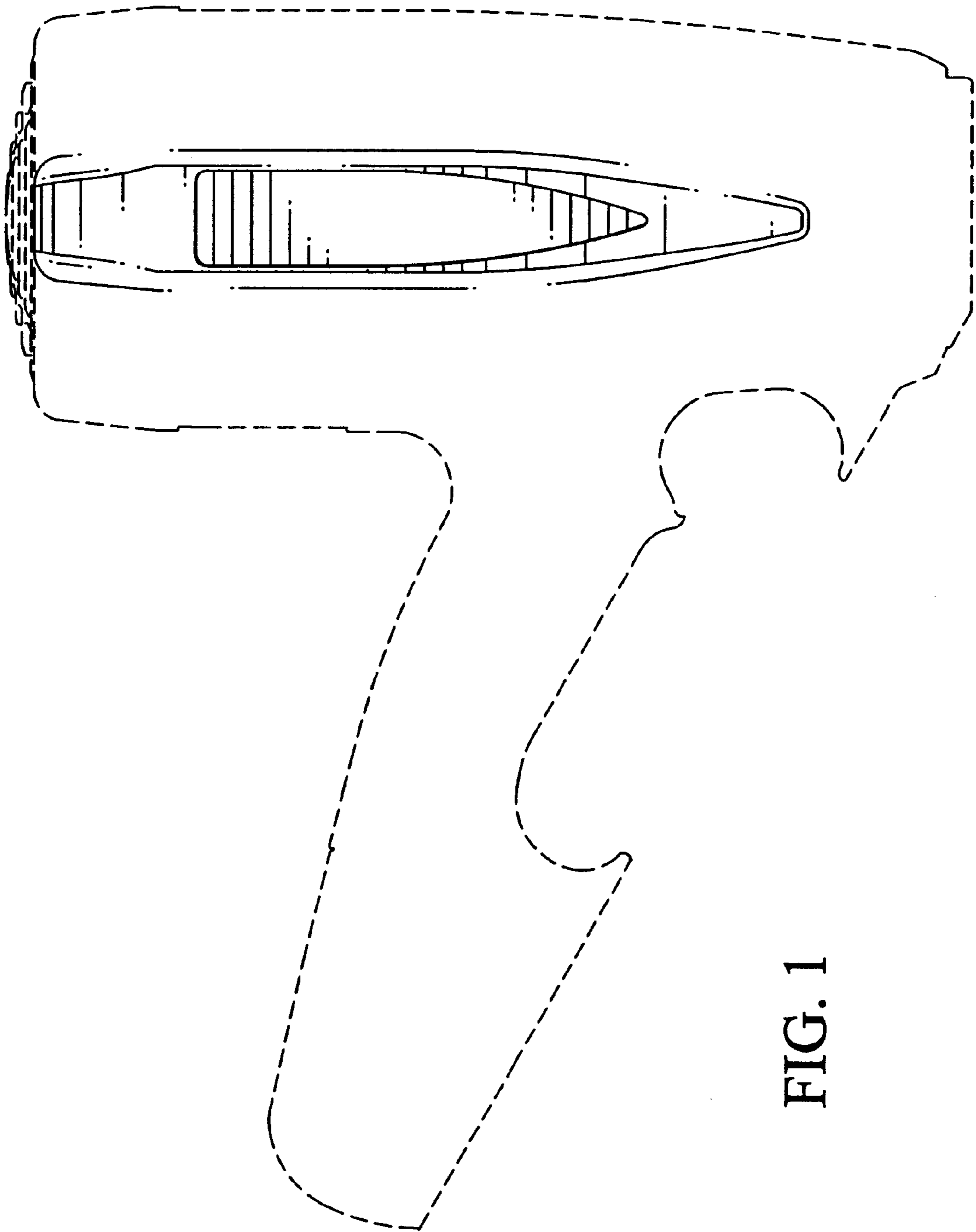


FIG. 1

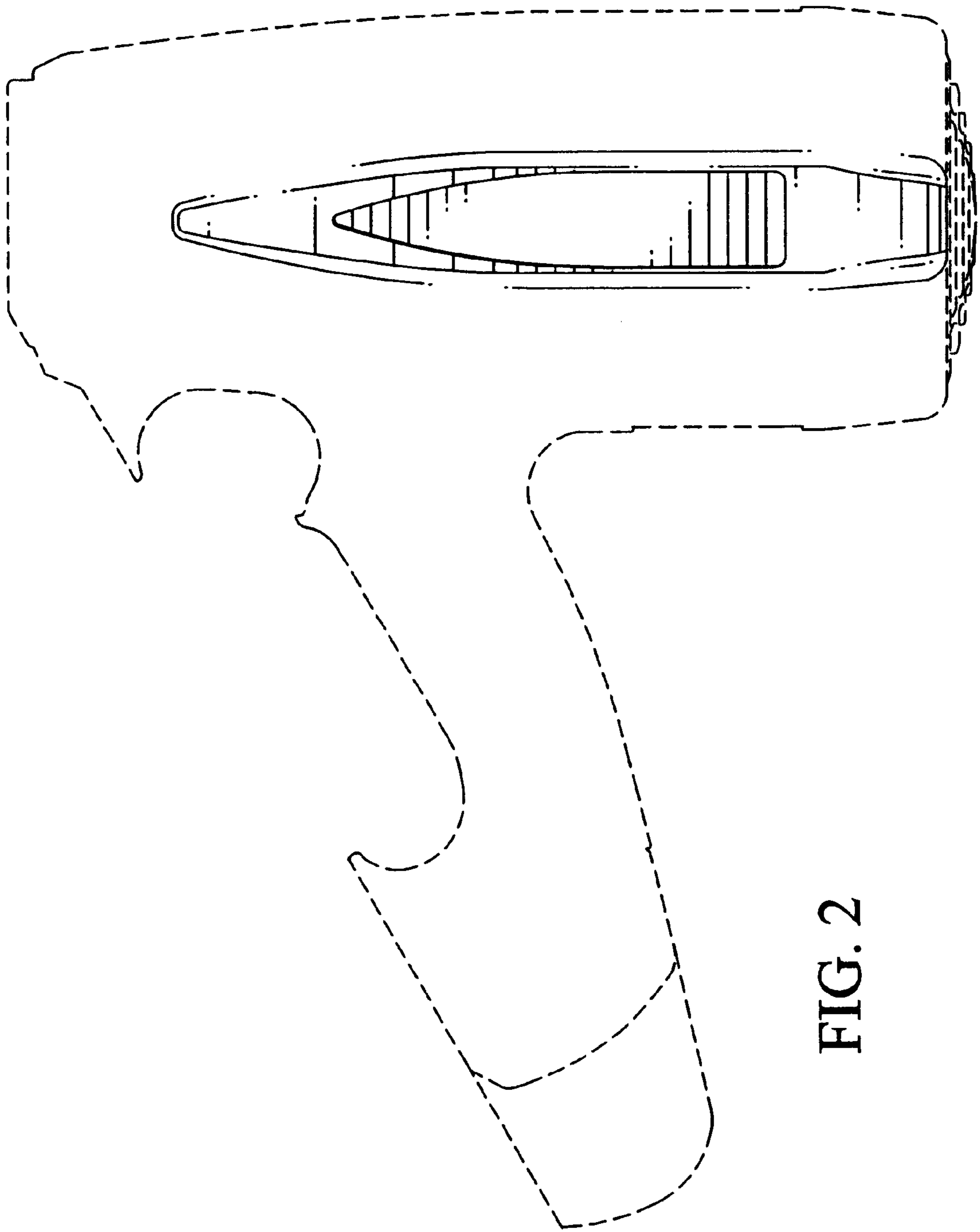


FIG. 2

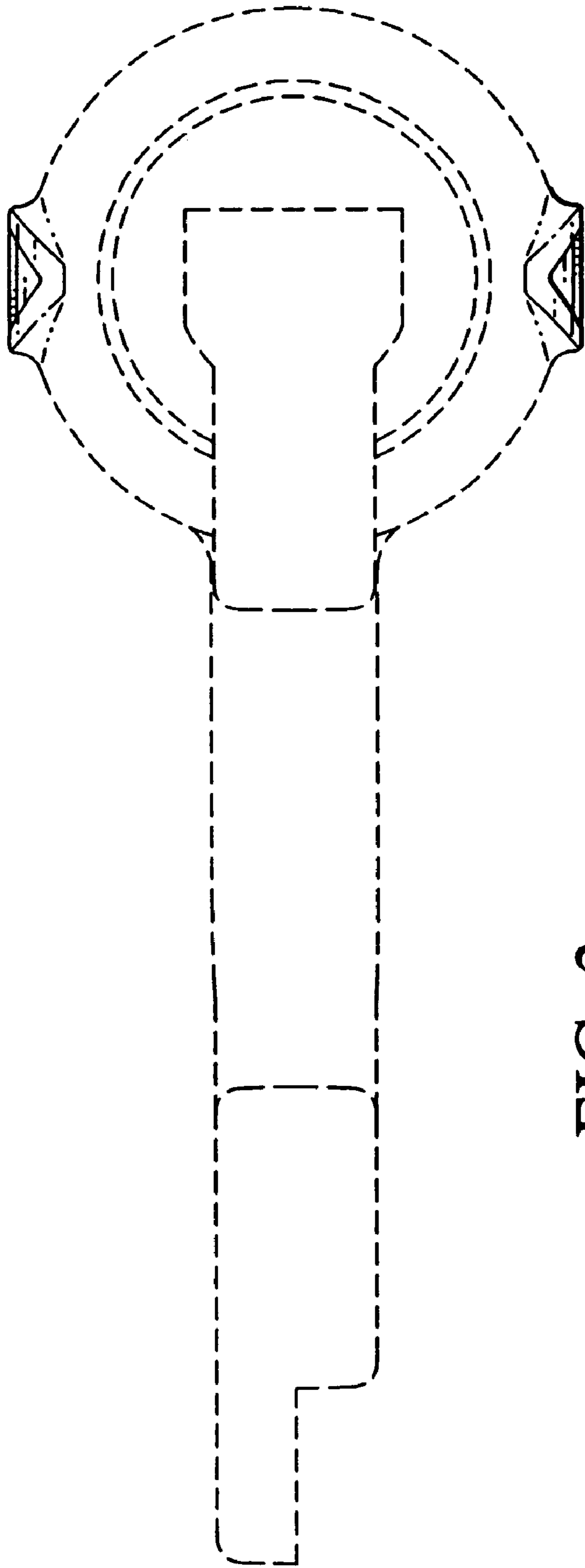


FIG. 3

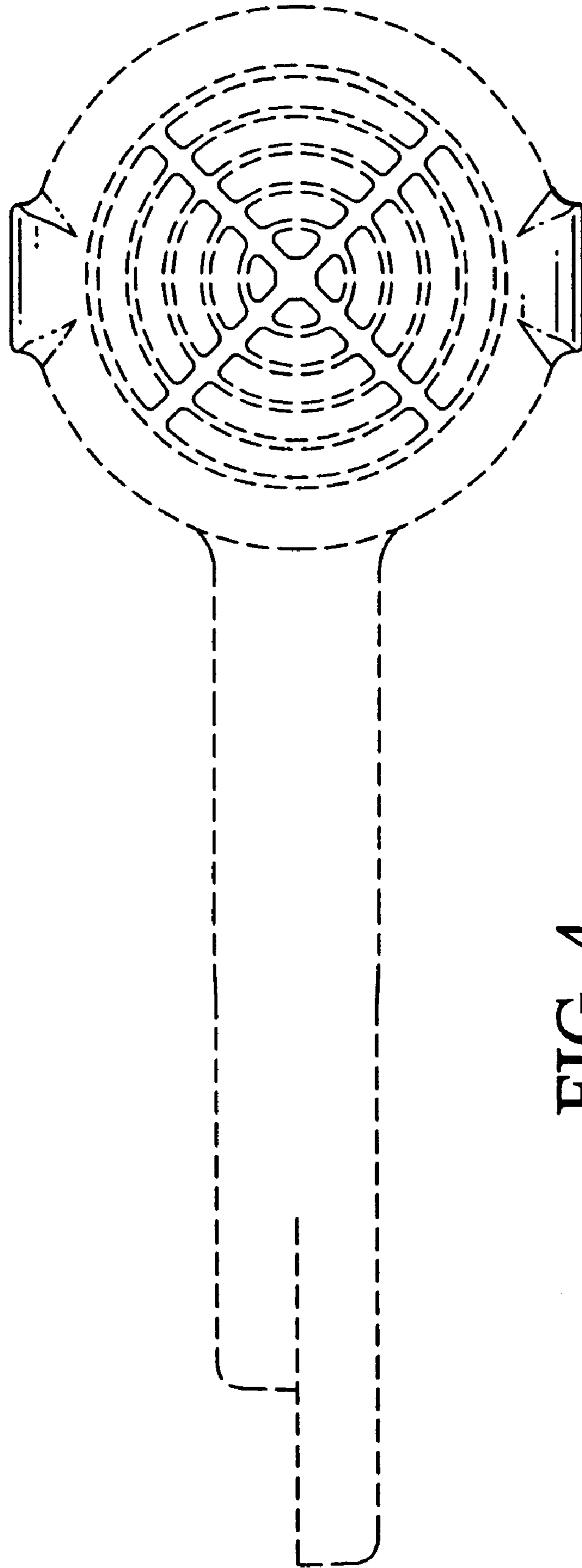


FIG. 4

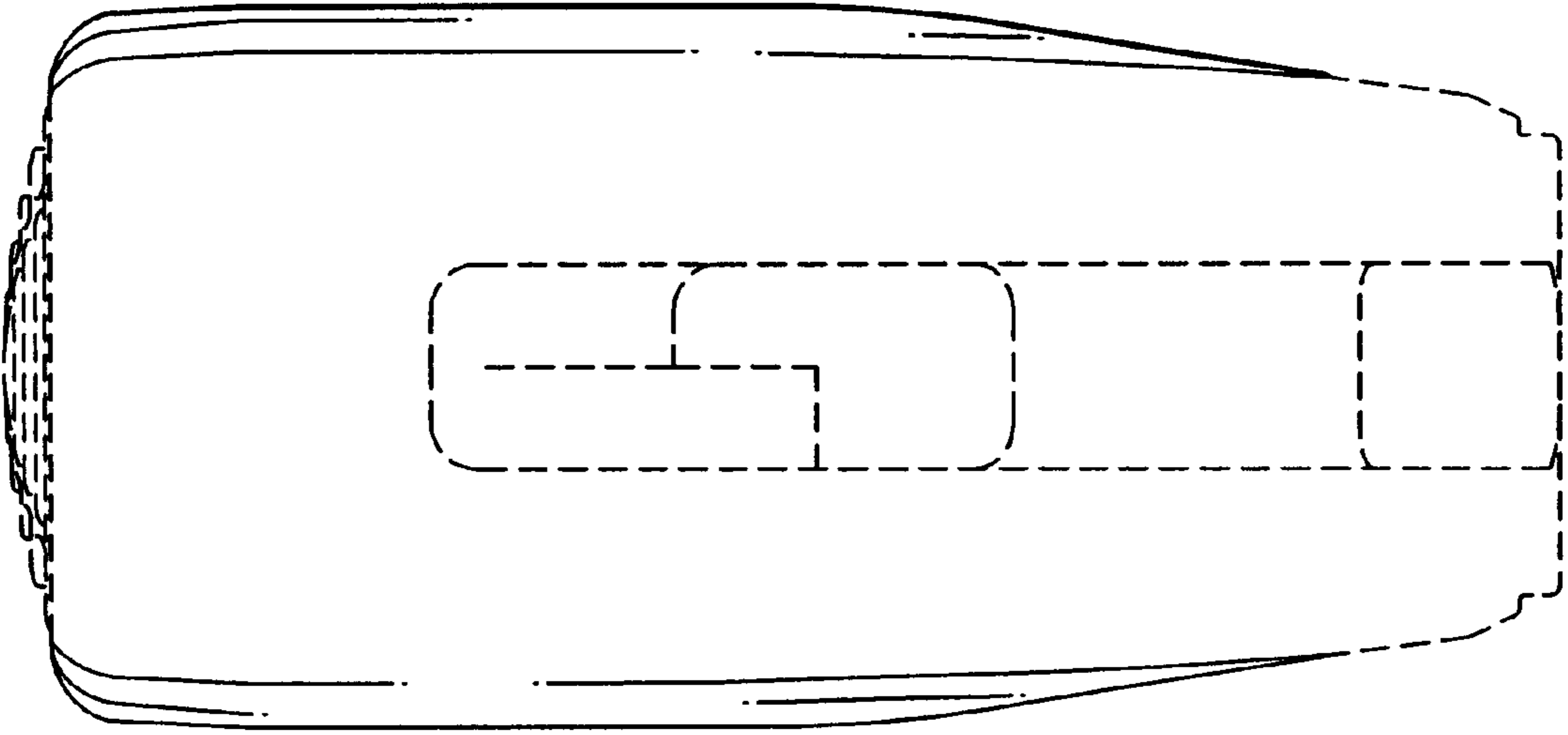


FIG. 6

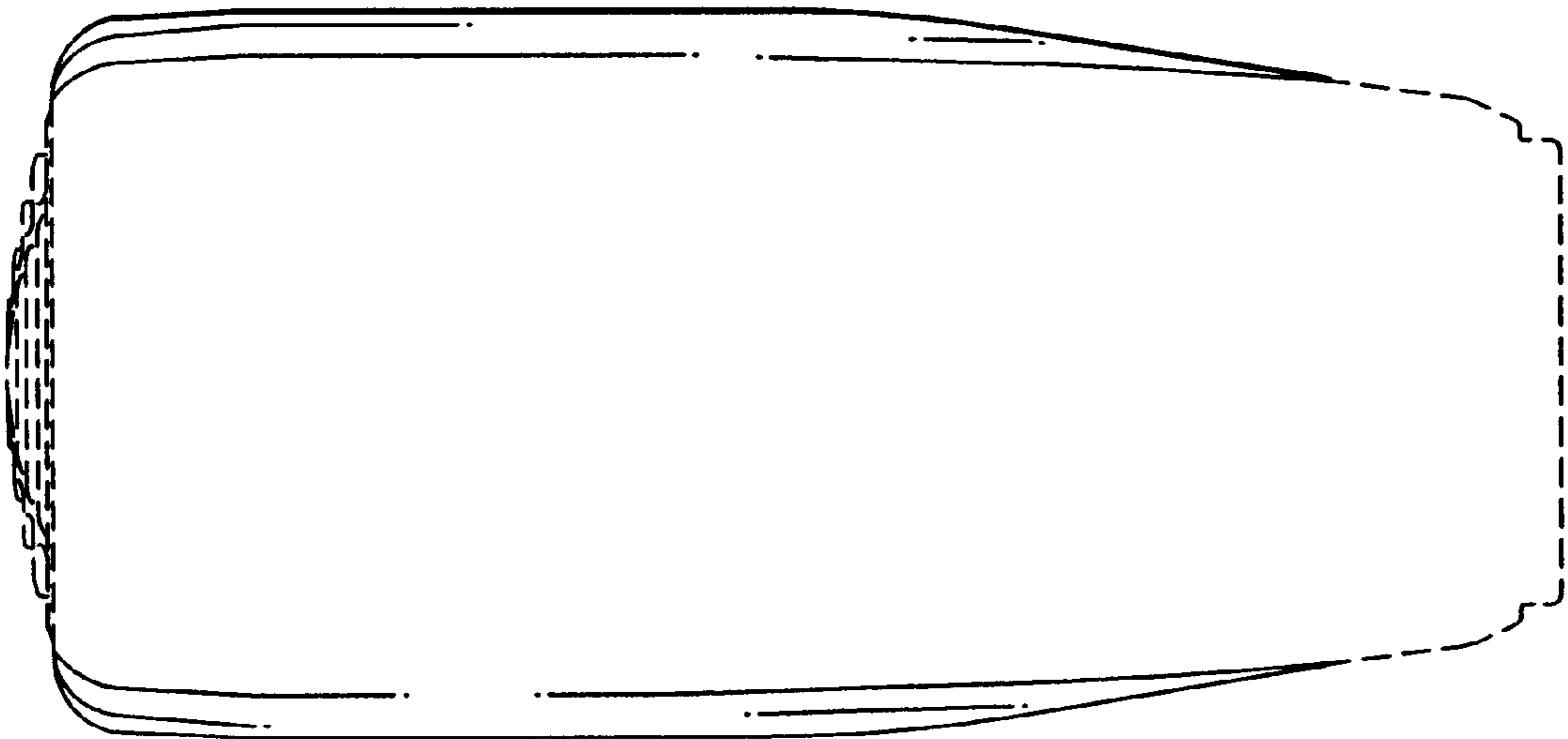


FIG. 5