



US00D474664S

(12) **United States Design Patent** (10) **Patent No.:** **US D474,664 S**
Mauffette (45) **Date of Patent:** **** May 20, 2003**

(54) **CORKSCREW**

FOREIGN PATENT DOCUMENTS

(75) Inventor: **Claude Mauffette**, Montreal (CA)
 (73) Assignee: **Trudeau Corporation 1889 Inc.**,
 Boucherville (CA)
 (**) Term: **14 Years**

ES	0149579	12/2001
FR	005906	3/2001
GB	2096544	4/2002
GB	2106103	4/2002
GB	2106104	4/2002
GB	2106105	4/2002
GB	2106106	4/2002

(21) Appl. No.: **29/159,921**
 (22) Filed: **Apr. 30, 2002**

OTHER PUBLICATIONS

(51) **LOC (7) Cl.** **07-06**
 (52) **U.S. Cl.** **D8/42**
 (58) **Field of Search** D8/33-43, 308,
 D8/4, 5, 107, 52, 48; 30/400-443; 81/3.07-3.49;
 7/151-156; D7/665, 666; D23/250, 252;
 D12/179, 180; 74/523, 480 R, 489, 502.2

Collectible Corkscrews by Frédérique Crestin-Billet; ISBN 2-08010-551-5; English language edition 2001, Flammarion Inc.; p. 236 "Traifor" corkscrew 1947; French Corkscrew.
 Extract from the Metrokane website showing, on p. 1, the Rabbit corkscrew (Sep. 18, 2002).
 Extract from the Metrokane website showing, on p. 3, the Velvet Pocket corkscrew and the Faucet corkscrew (Sep. 18, 2002).

(56) **References Cited**

* cited by examiner

U.S. PATENT DOCUMENTS

Primary Examiner—Jeffrey Asch
 (74) *Attorney, Agent, or Firm*—RatnerPrestia

206,134 A *	7/1878	Richardson et al.	81/3.09
593,698 A *	11/1897	Stoll	81/3.37
593,699 A *	11/1897	Stoll	81/3.37
593,700 A *	11/1897	Stoll	81/3.37
814,641 A *	3/1906	Coomber	81/3.33
4,253,351 A	3/1981	Allen	
4,703,673 A *	11/1987	Allen	81/3.29
D293,414 S *	12/1987	Allen	D8/43
4,765,206 A *	8/1988	Poehlmann	81/3.37
4,947,711 A *	8/1990	Giebeler	81/3.37
5,365,806 A *	11/1994	Paramest	81/3.09
D359,213 S	6/1995	Entwistle	
D389,712 S	1/1998	Usbeck	
5,934,160 A *	8/1999	Gibson	81/3.37
D419,839 S	2/2000	Schülein et al.	
6,073,519 A	6/2000	Presa Eguren	
D444,360 S *	7/2001	Chang	D8/42
D445,008 S *	7/2001	Andina et al.	D8/42
6,357,322 B1 *	3/2002	Dolan et al.	81/3.37
D463,235 S *	9/2002	Mauffette	D8/40
D463,236 S *	9/2002	Mauffette	D8/42
D464,546 S *	10/2002	Mauffette	D8/40

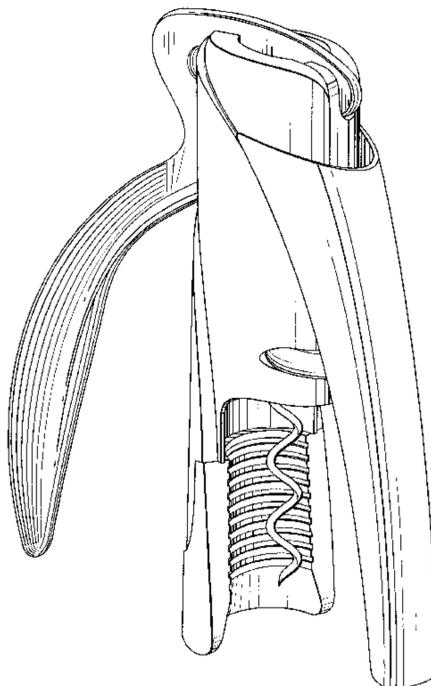
(57) **CLAIM**

I claim the ornamental design for the corkscrew, as shown and described.

DESCRIPTION

FIG. 1 is a perspective view of a corkscrew according to the present design;
 FIG. 2 is a right side elevational view of the corkscrew of FIG. 1;
 FIG. 3 is a rear elevational view of the corkscrew of FIG. 1;
 FIG. 4 is a front elevational view of the corkscrew of FIG. 1;
 FIG. 5 is a left side elevational view of the corkscrew of FIG. 1;
 FIG. 6 is a top plan view of the corkscrew of FIG. 1; and,
 FIG. 7 is a bottom plan view of the corkscrew of FIG. 1.

1 Claim, 6 Drawing Sheets



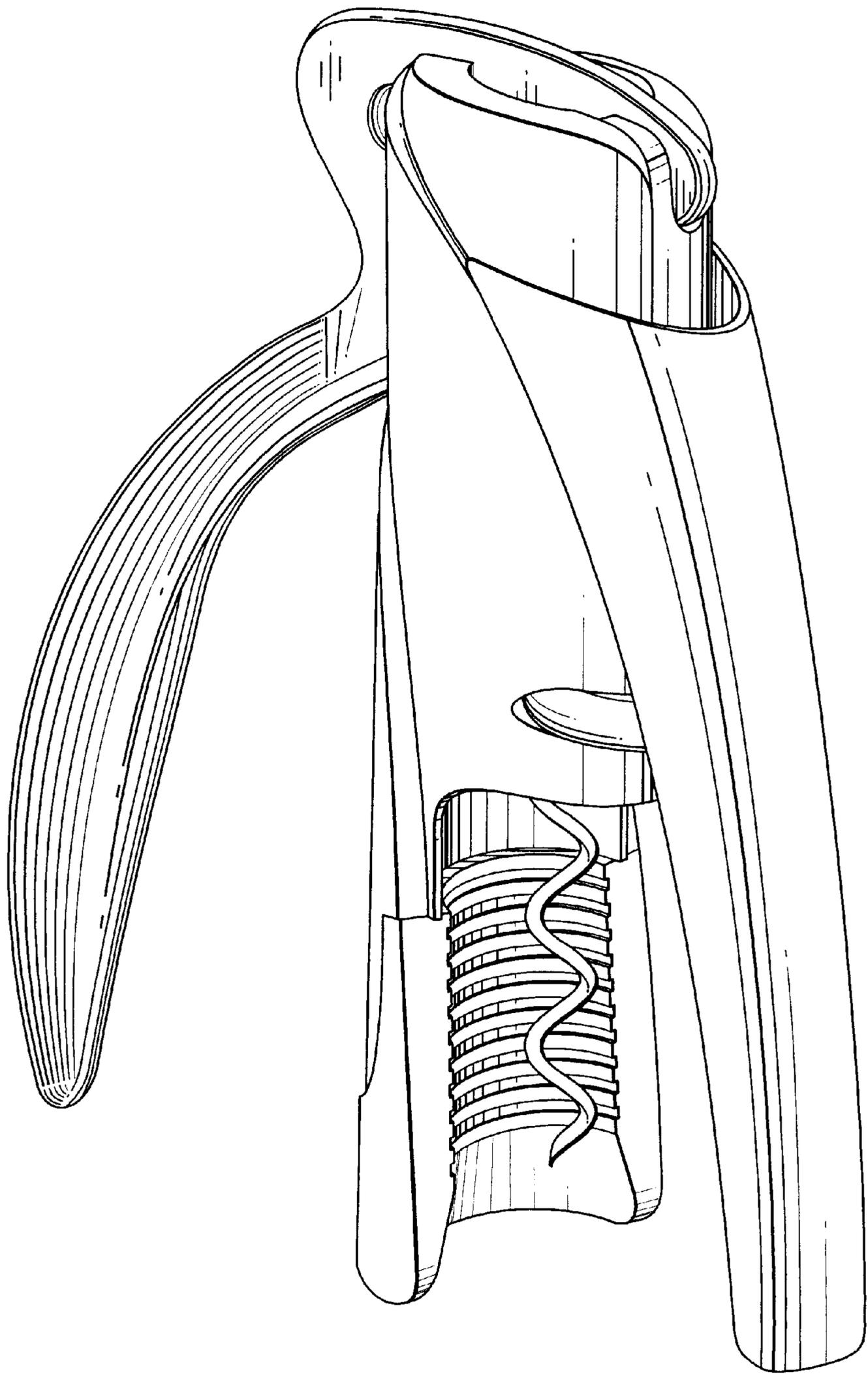


Fig-1

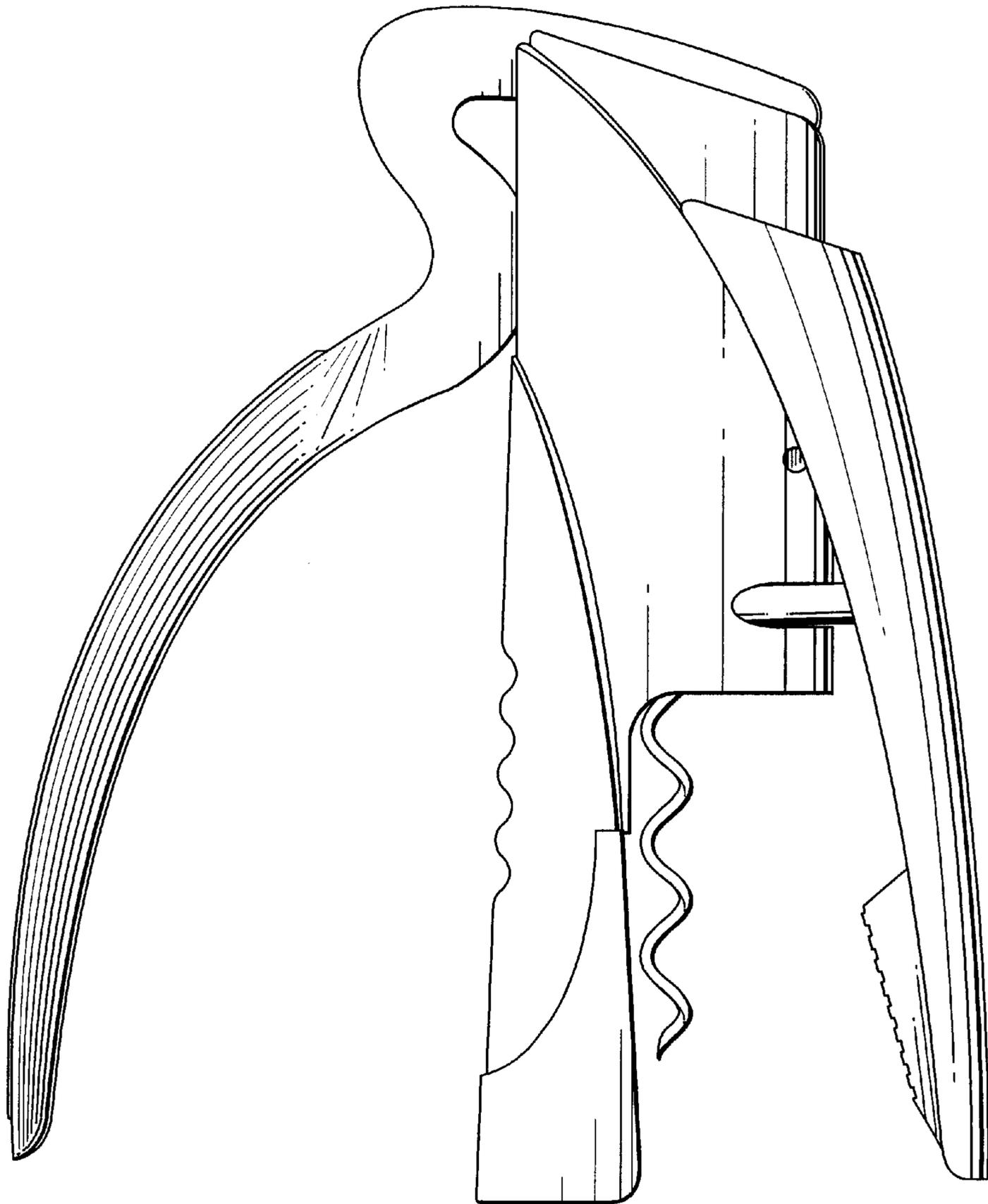


Fig-2

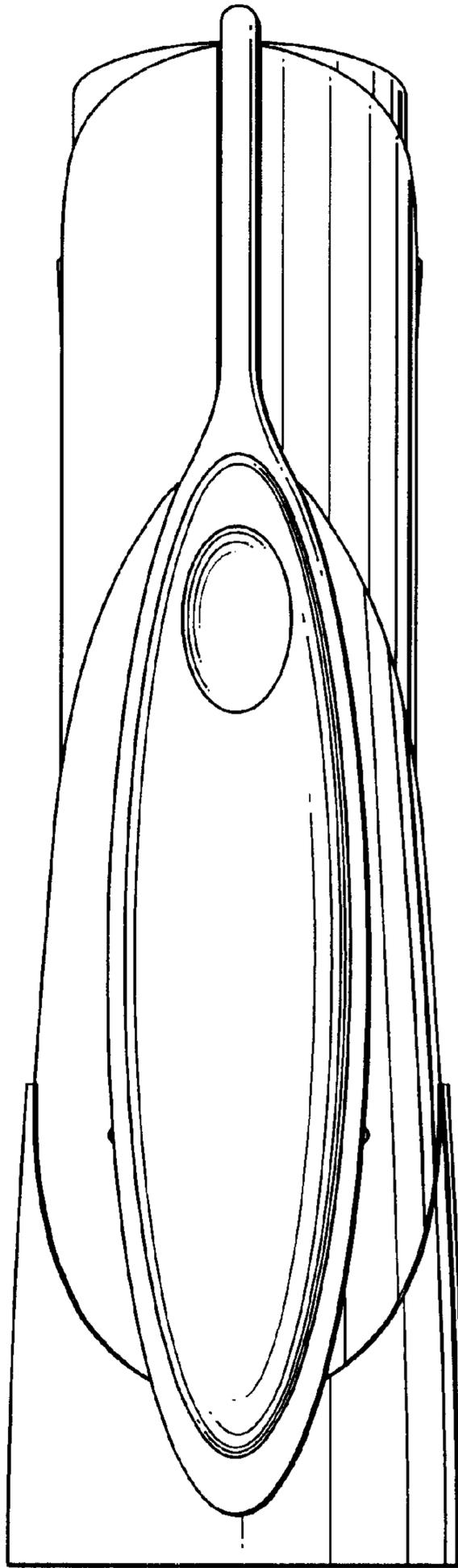


Fig-3

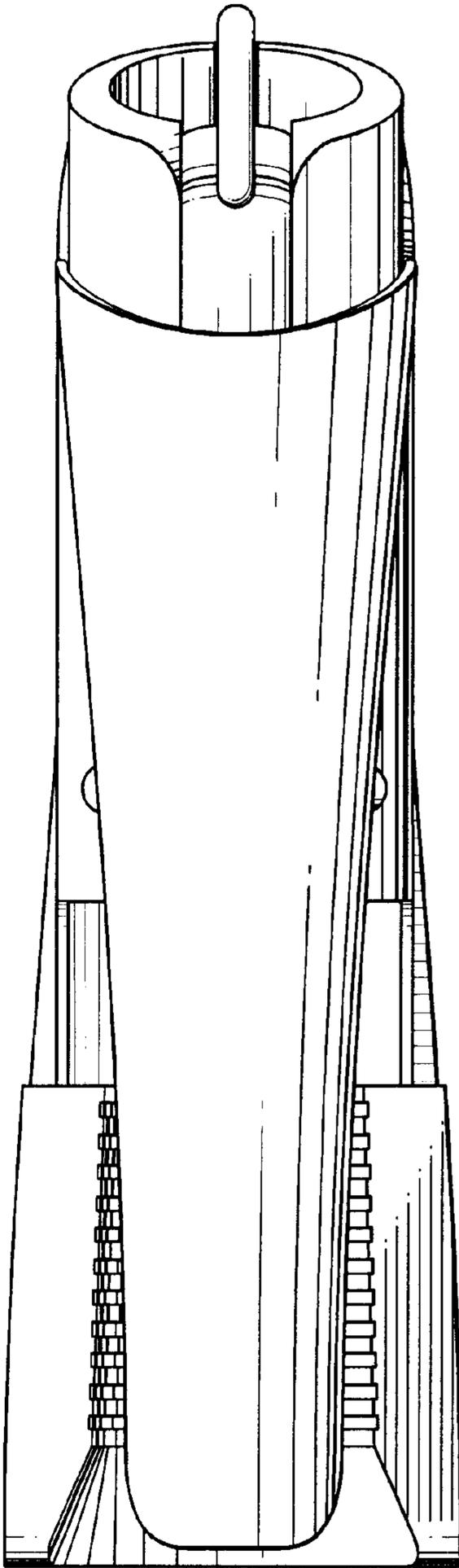


Fig-4

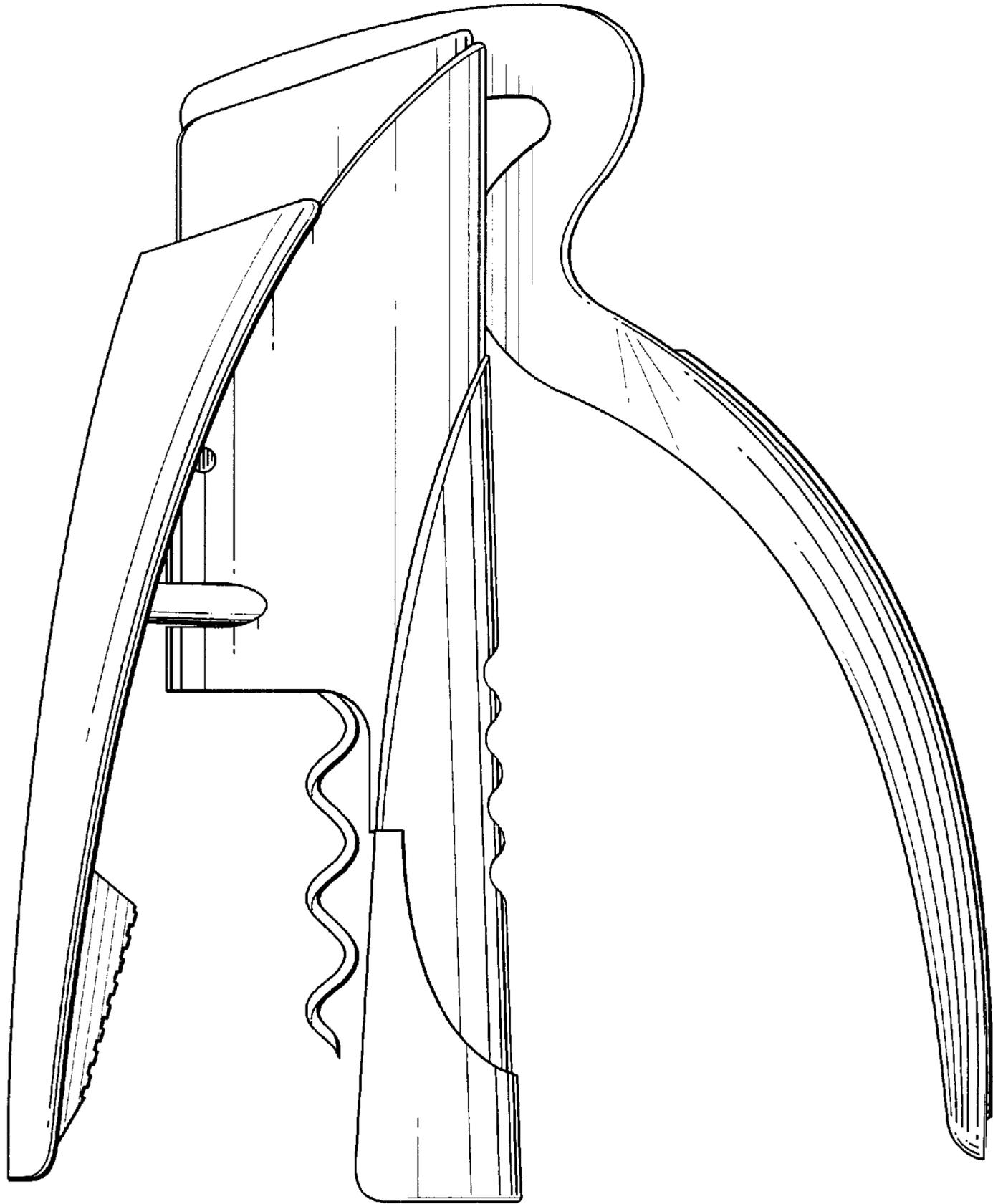


Fig-5

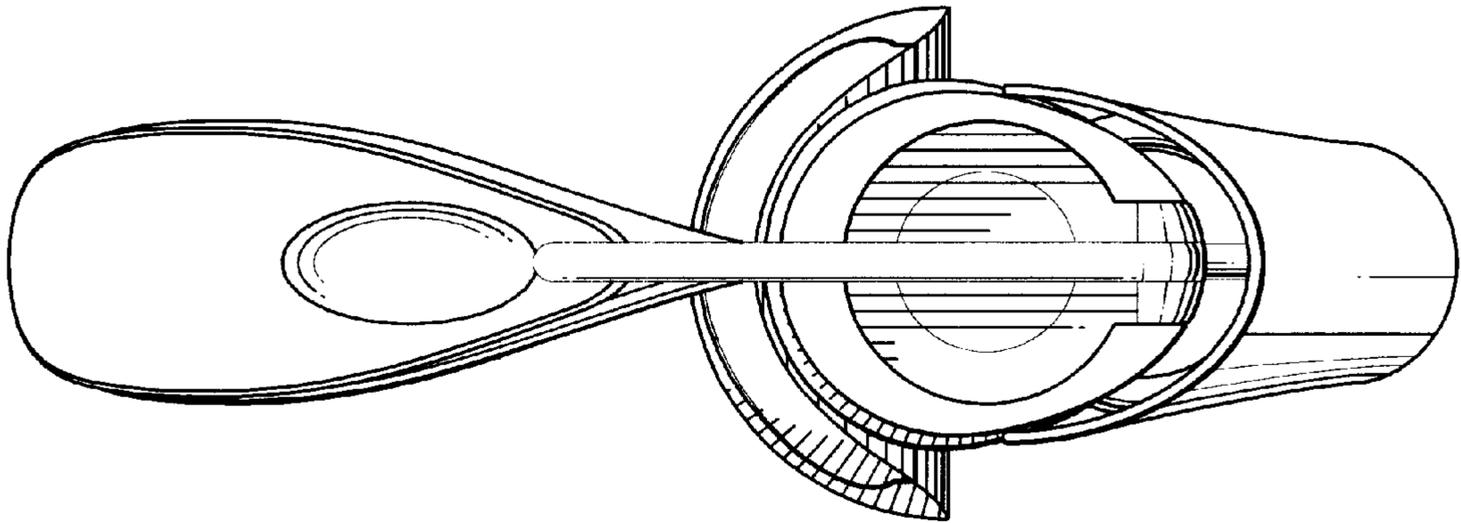


Fig-6

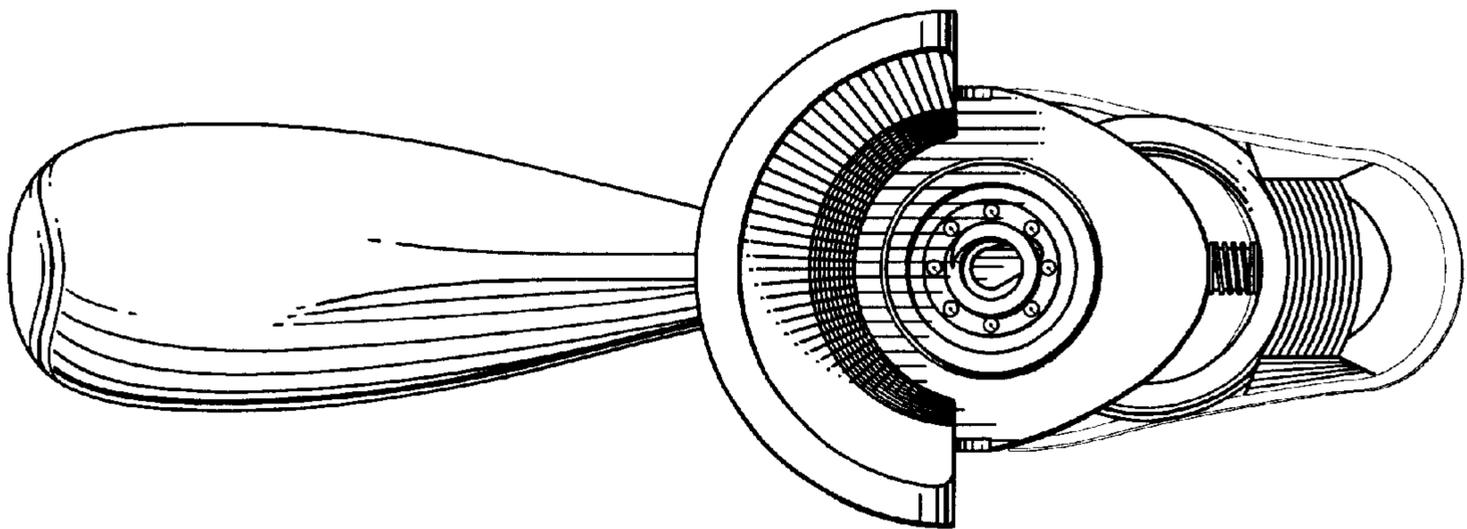


Fig-7