



US00D474662S

(12) **United States Design Patent**  
**Canino et al.**

(10) **Patent No.:** **US D474,662 S**

(45) **Date of Patent:** **\*\* May 20, 2003**

(54) **TWIST HANDLE WRENCH**

D439,480 S \* 3/2001 Hsu ..... D8/25  
6,457,387 B1 \* 10/2002 Hu ..... 81/63.2

(75) Inventors: **Serafino S. Canino**, Torrington, CT (US); **Scott J. Gelormino**, Unionville, CT (US); **Douglas F. Melville, Jr.**, Simsbury, CT (US)

\* cited by examiner

*Primary Examiner*—Raphael Barkai  
(74) *Attorney, Agent, or Firm*—Handal & Morofsky

(73) Assignee: **ICC Innovative Concepts Corporation**, Torrington, CT (US)

(57) **CLAIM**

(\*\*) Term: **14 Years**

The ornamental design for a twist handle wrench, substantially as shown and described

(21) Appl. No.: **29/157,058**

**DESCRIPTION**

(22) Filed: **Mar. 12, 2002**

(51) **LOC (7) Cl.** ..... **08-05**

(52) **U.S. Cl.** ..... **D8/25**

(58) **Field of Search** ..... D8/21–29; 81/60–63.2, 81/177.1, 177.85, 177.6, 177.7, 489

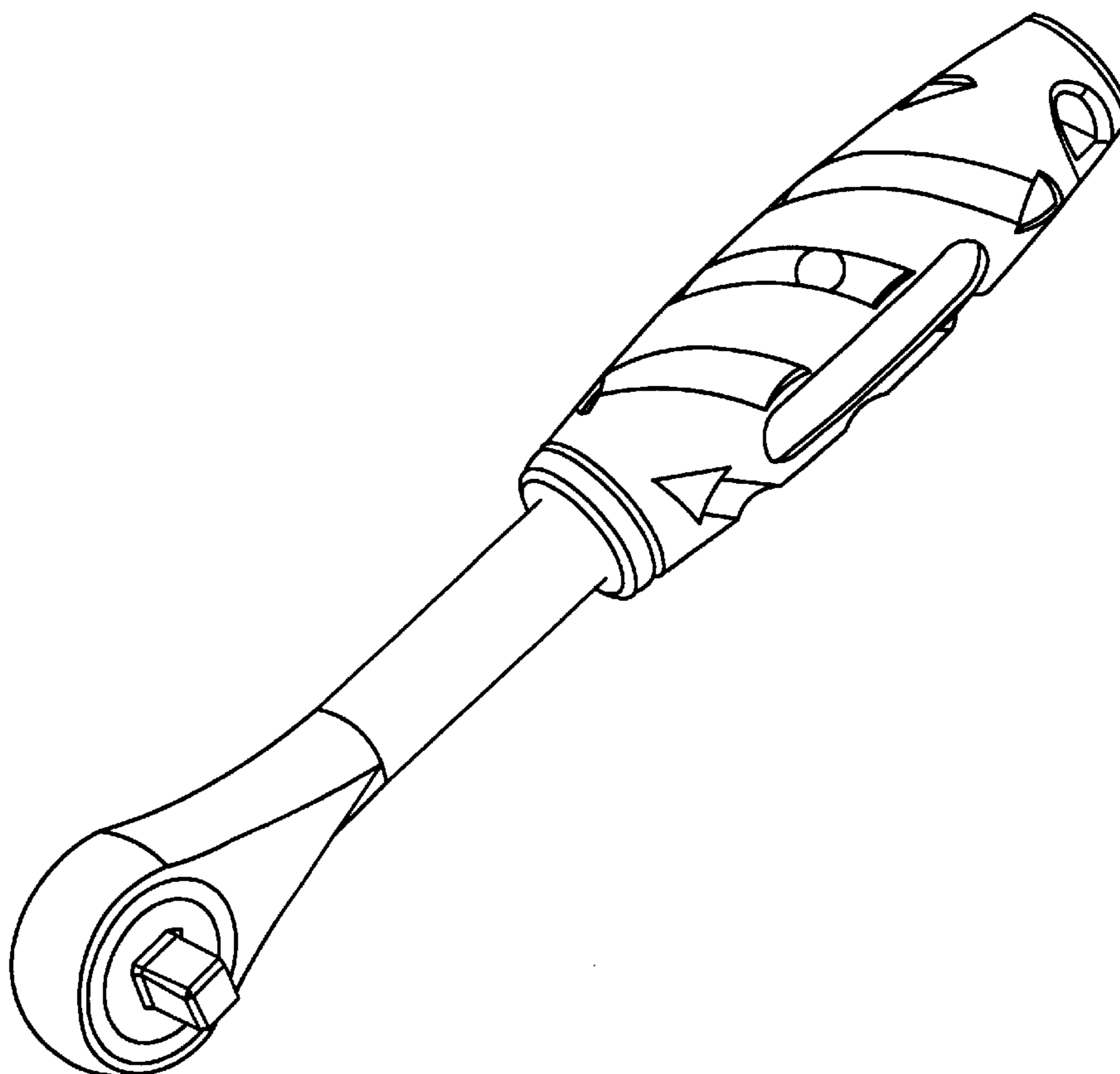
FIG. 1 is a front elevational view showing the embodiment of my design for a twist handle wrench;  
FIG. 2 is a rear elevational of the embodiment illustrated in FIG. 1;  
FIG. 3 is a right hand side view of the embodiment illustrated in FIG. 1;  
FIG. 4 is a front perspective view of the embodiment illustrated in FIG. 1;  
FIG. 5 is a rear perspective view of the embodiment illustrated in FIG. 1;  
FIG. 6 is a bottom plan view of the embodiment illustrated in FIG. 1; and,  
FIG. 7 is a top plan view of the embodiment illustrated in FIG. 1.

(56) **References Cited**

**U.S. PATENT DOCUMENTS**

- 3,393,587 A \* 7/1968 Jolliff et al.
- 5,058,463 A 10/1991 Wannop
- D336,225 S \* 6/1993 Lin ..... D8/25
- 5,592,860 A \* 1/1997 Woodsum ..... 81/177.85
- 5,897,198 A \* 4/1999 Hsieh ..... 81/177.85
- D431,164 S \* 9/2000 Wimmer ..... D8/21
- D431,983 S \* 10/2000 Peters ..... D8/25

**1 Claim, 4 Drawing Sheets**



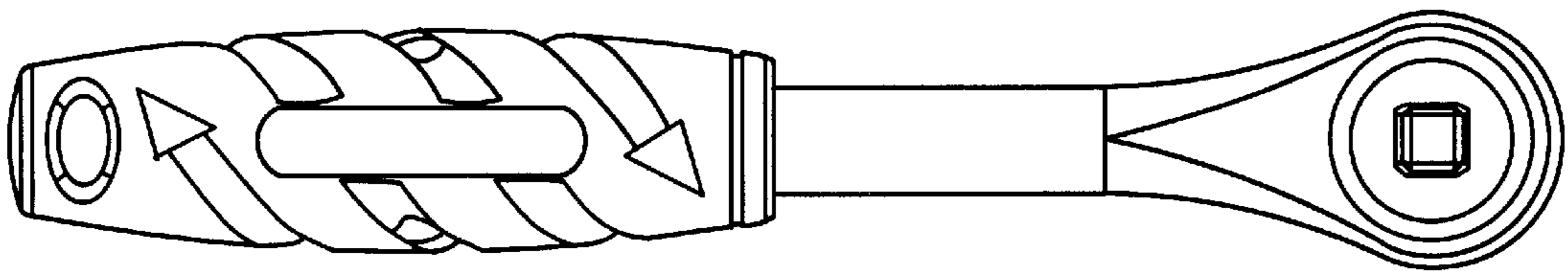


Figure 1

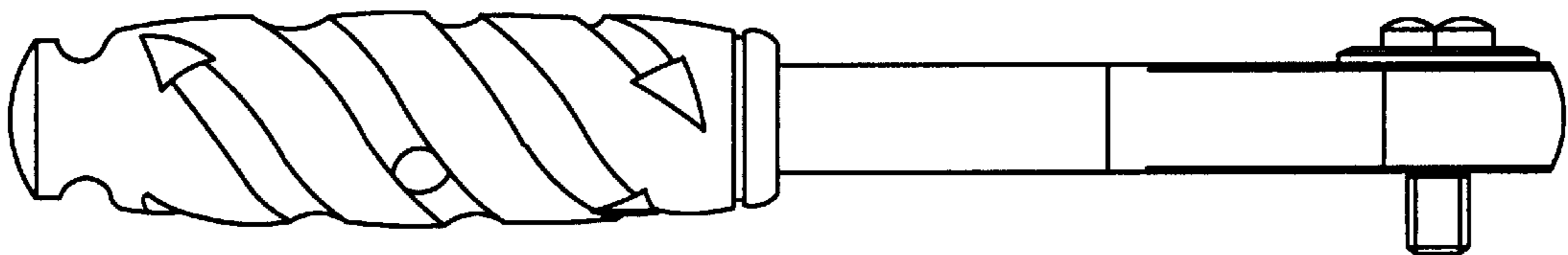


Figure 2

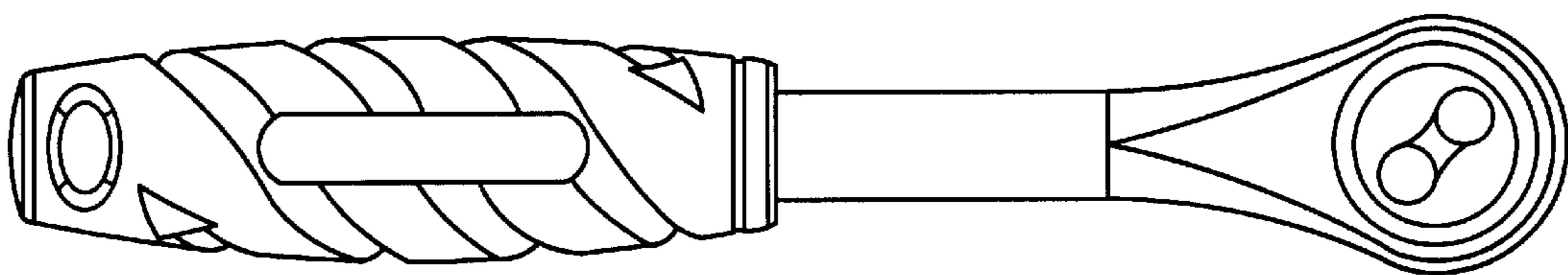


Figure 3

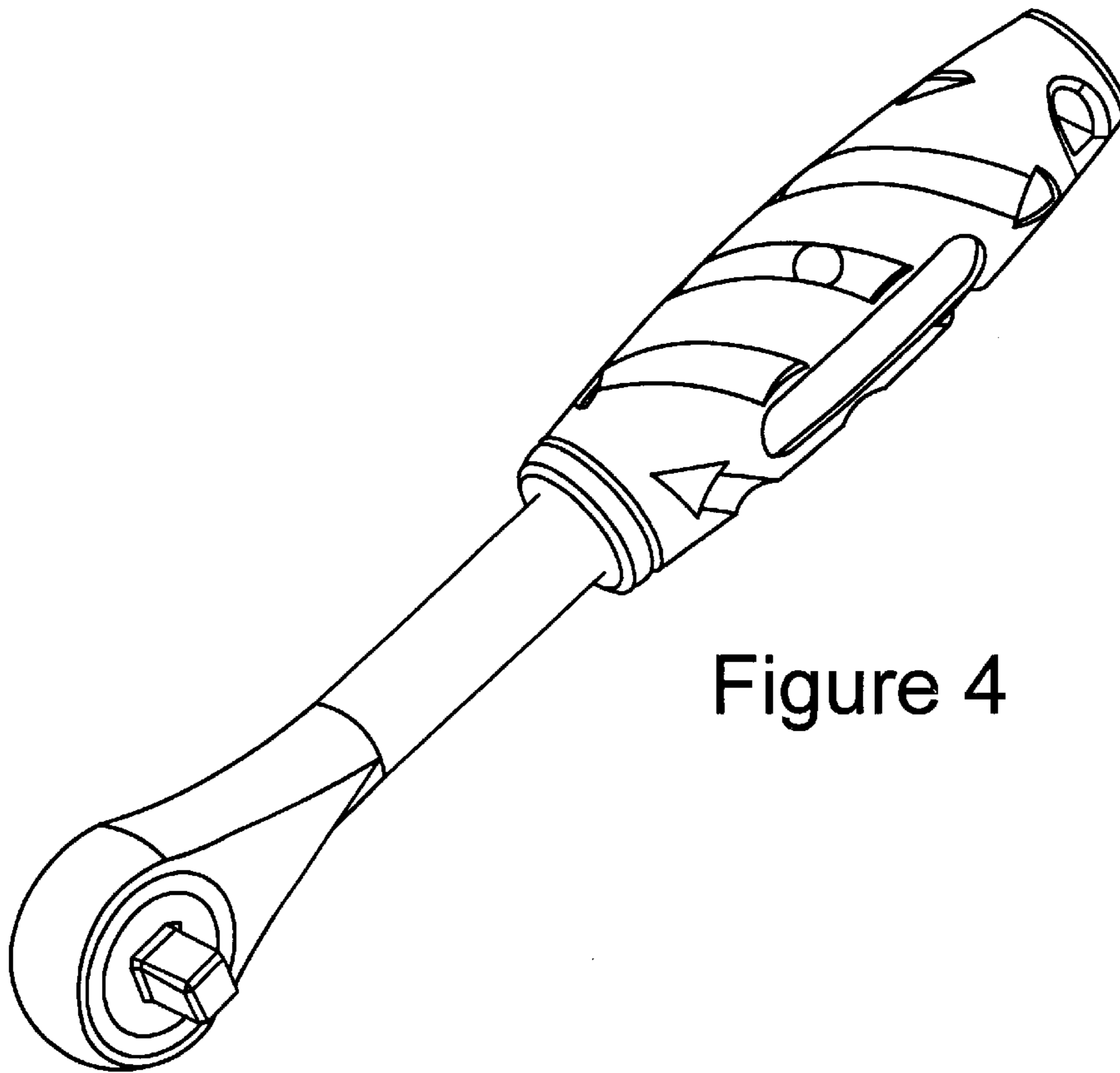


Figure 4

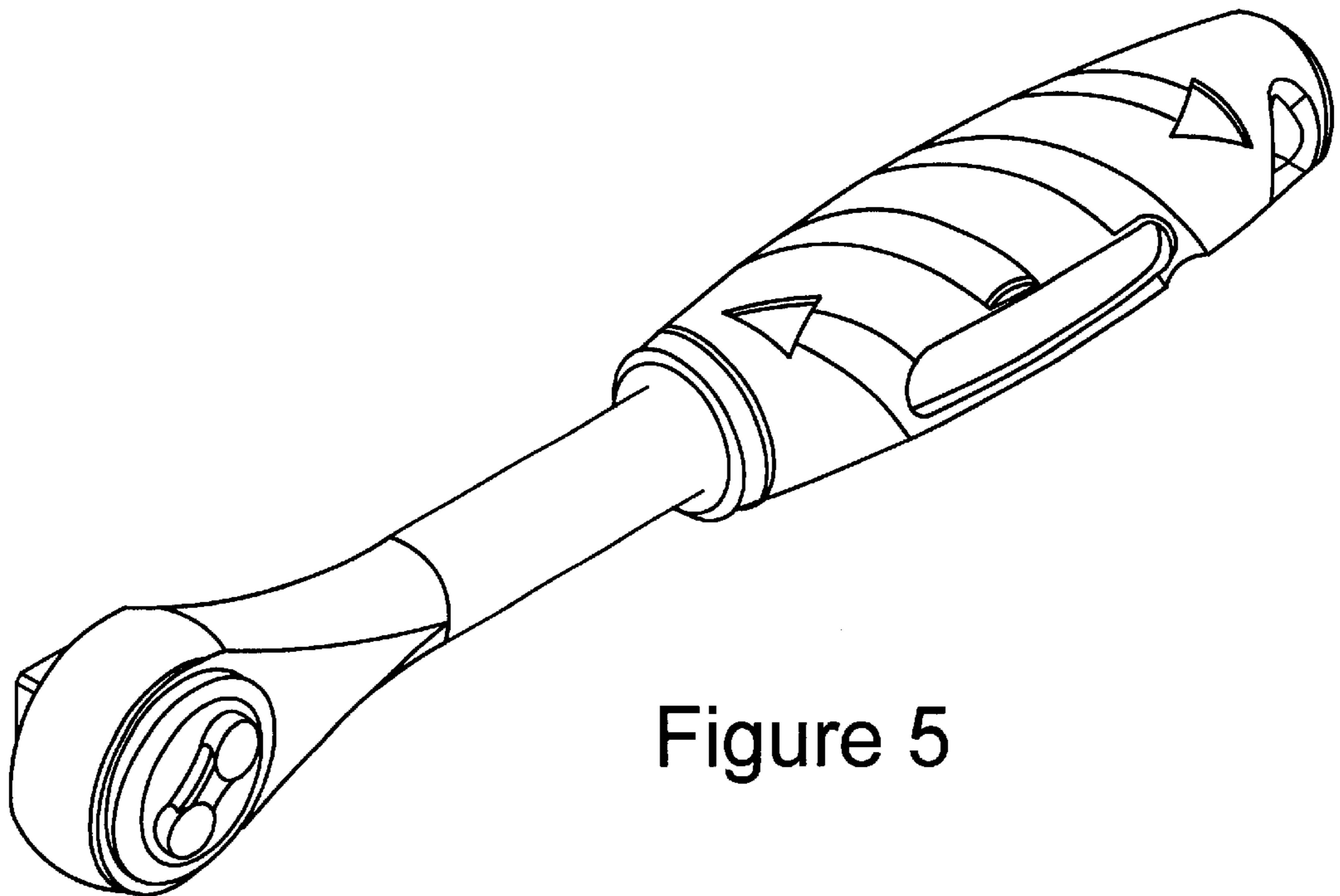


Figure 5

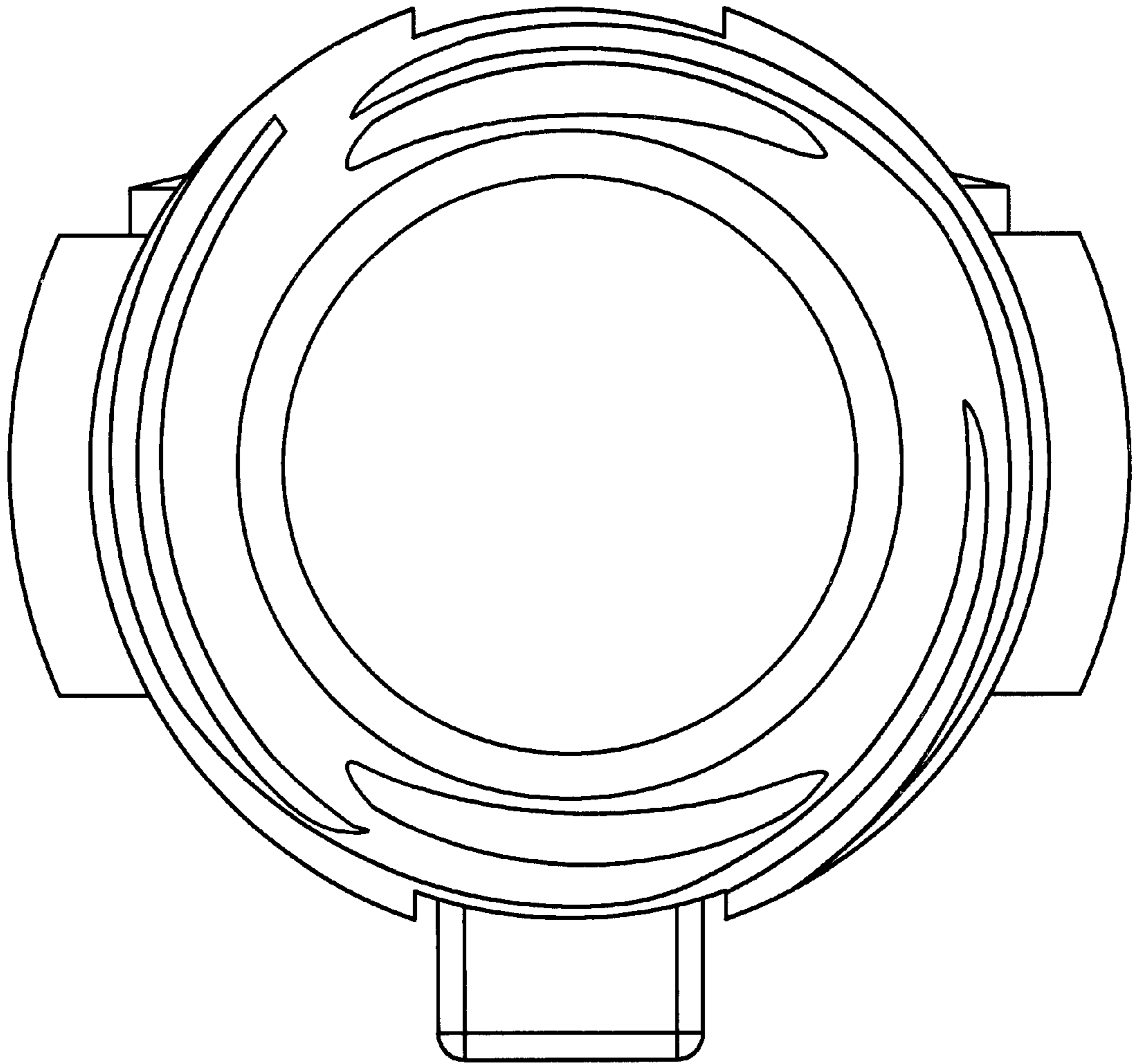


Figure 6

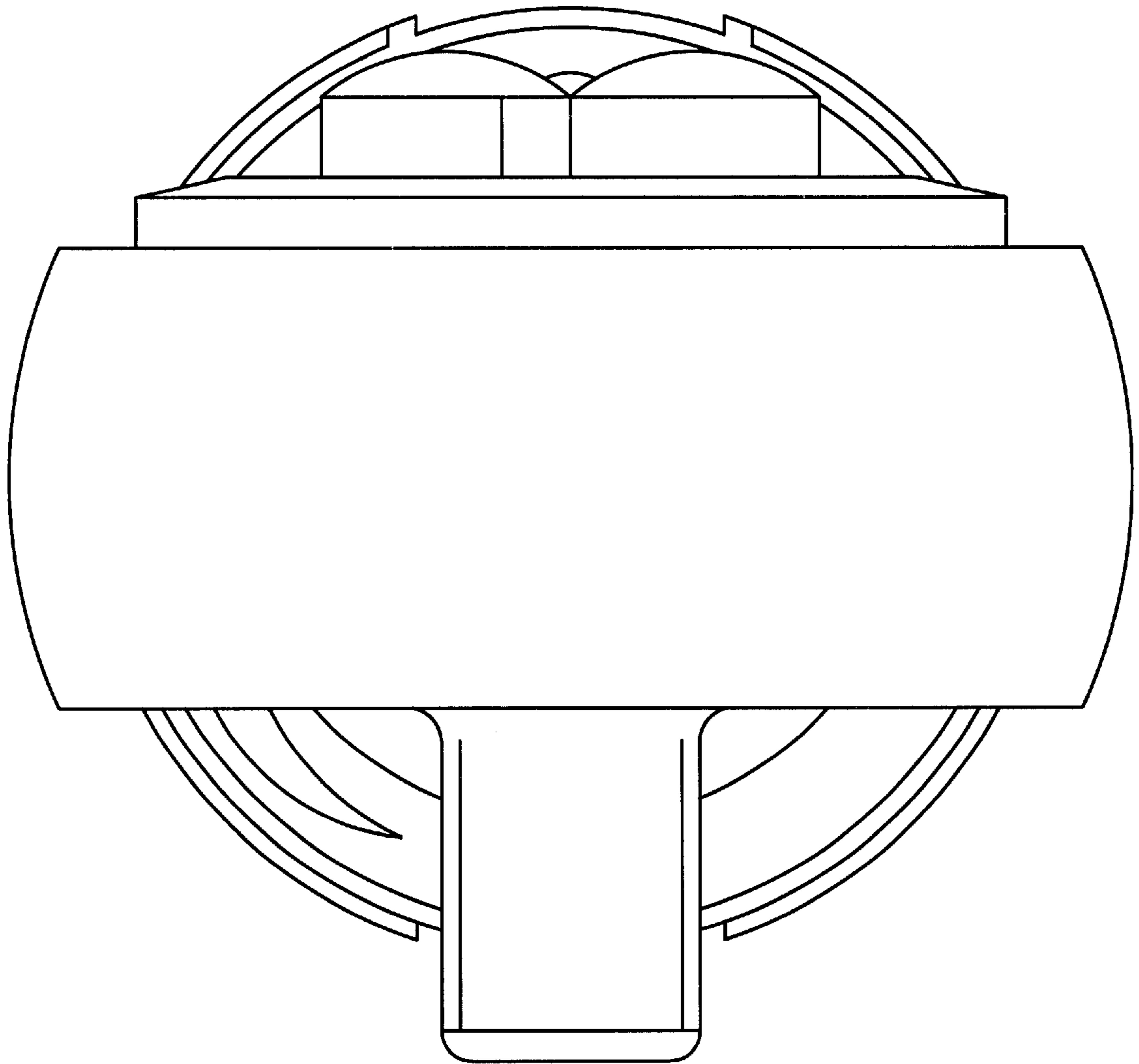


Figure 7